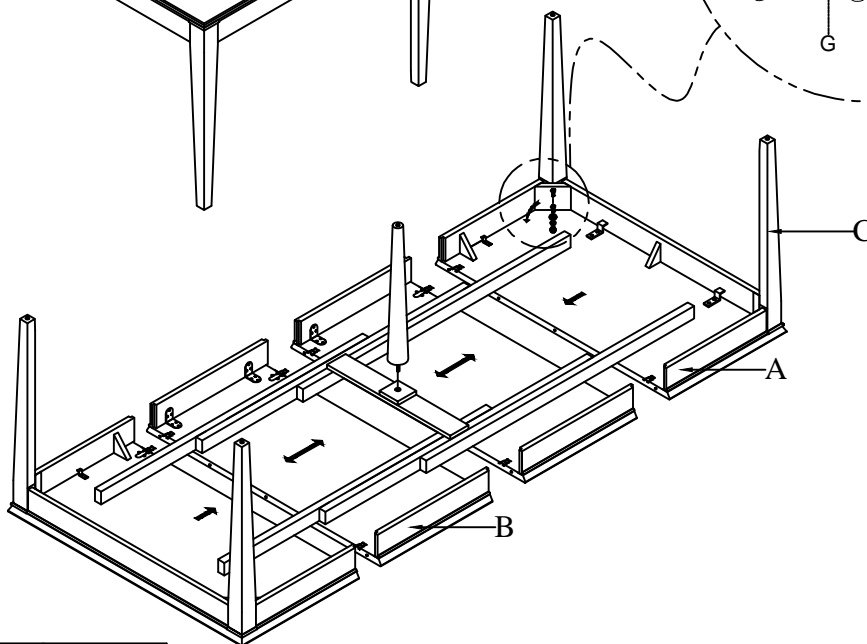
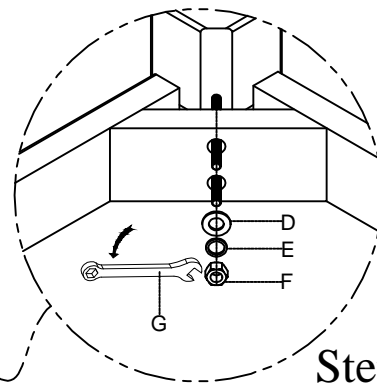
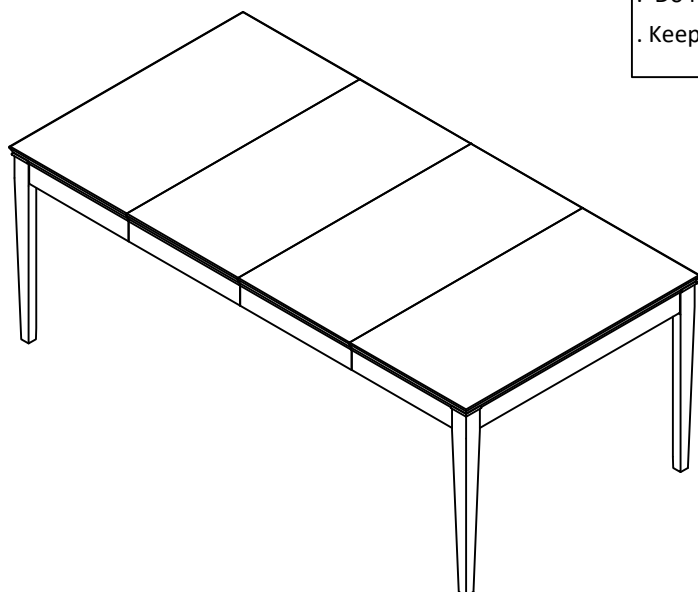






# ASSEMBLY INSTRUCTION

## 77-054 LEG TABLE

### IMPORTANT NOTES :

- . Place all wooden parts on a clean and smooth surface such as a rug or carpet to prevent the parts from being scratched.
- . Check to be sure that you have all parts and hardware.
- . Remove all wrapping materials, including staples and packing straps before you start to assemble.
- . Do not tighten all screws and bolts until completely assembled.
- . Keep all hardware out of the reach of children.



	Dimension	Shape	Quantity
D	Flat washer 3/8"*22		8pcs
E	Lock washer 3/8"		8pcs
F	Nut 3/8*8"		8pcs
G	Wrench (14mm)		1pc

**MADE IN VIETNAM**