
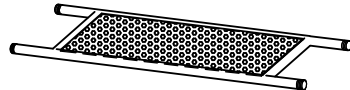
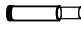





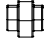
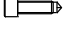



<b>Ax1</b> 	<b>Bx1</b> 	<b>Cx4</b> 	<b>Dx4</b>  Pipe: $\phi 32 \times 1.2 \times 515 \text{mm}$			
<b>Ex4</b>  Pipe: $\phi 32 \times 1.2 \times 210 \text{mm}$	<b>Fx4</b>  Pipe: $\phi 32 \times 1.2 \times 160 \text{mm}$	<b>Gx8</b> 	<b>Hx4</b> 	<b>Ix2</b> 	<b>Jx4</b>  M6x10mm	<b>Kx1</b>  5mm

