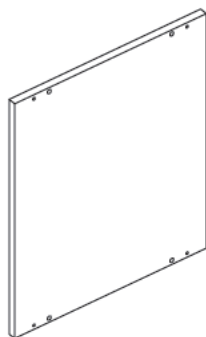


Ax1



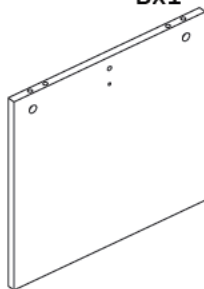
Bx1



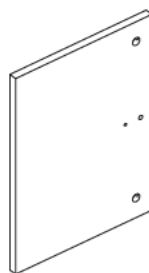
Cx1



Dx1



Ex2
 $\frac{385 \times 400}{15.16 \times 15.75}$



Fx2
 $\frac{285 \times 400}{11.22 \times 15.75}$



Gx12



Hx12



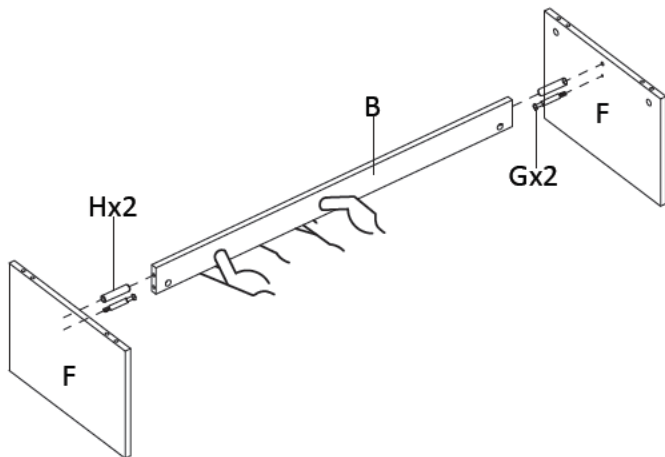
Ix12



mm
inch

x2

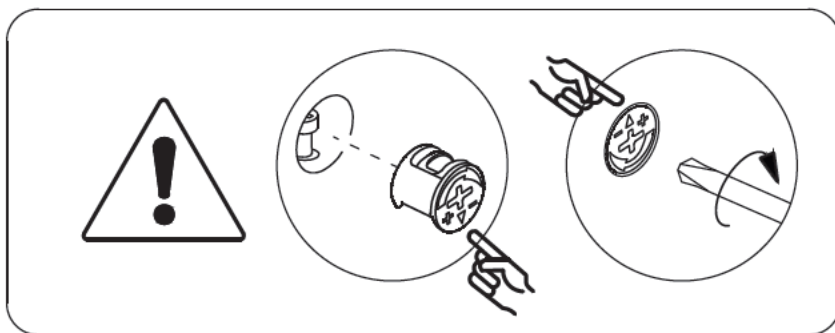
1



Hx2

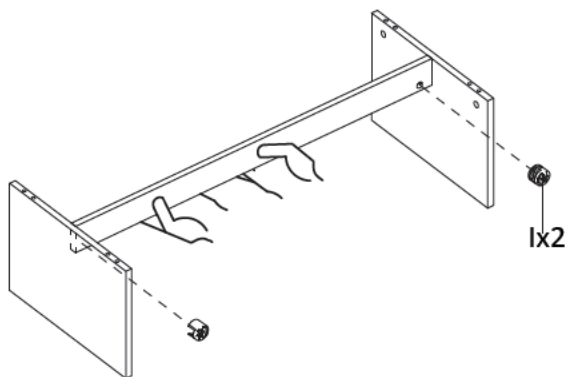


Gx2



2

Ix2

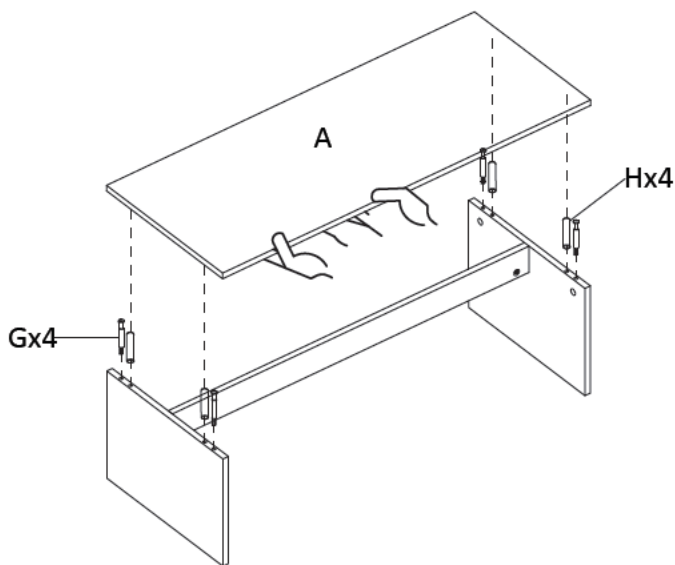


3

Hx4

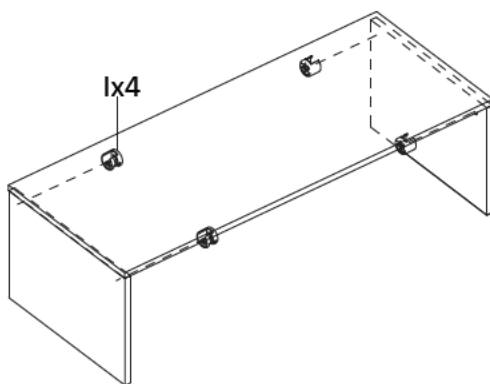


Gx4



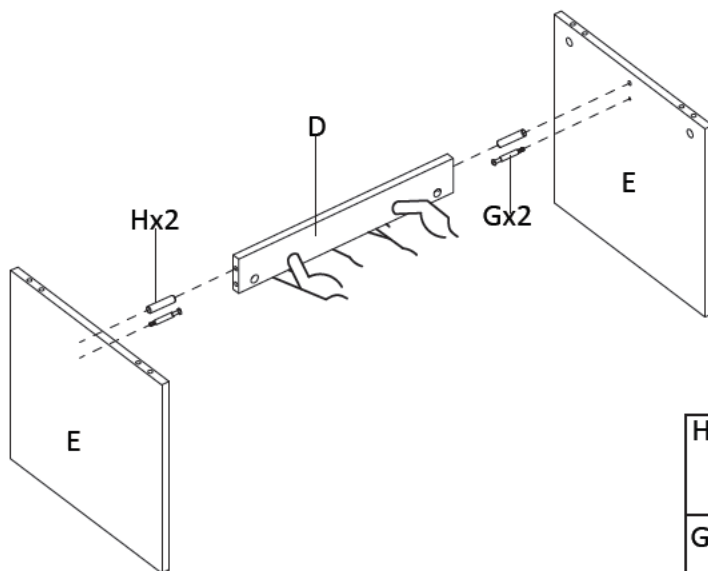
4

lx4



a

5



Hx2

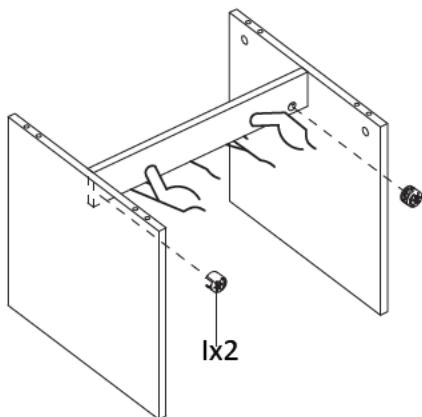


Gx2



6

Ix2

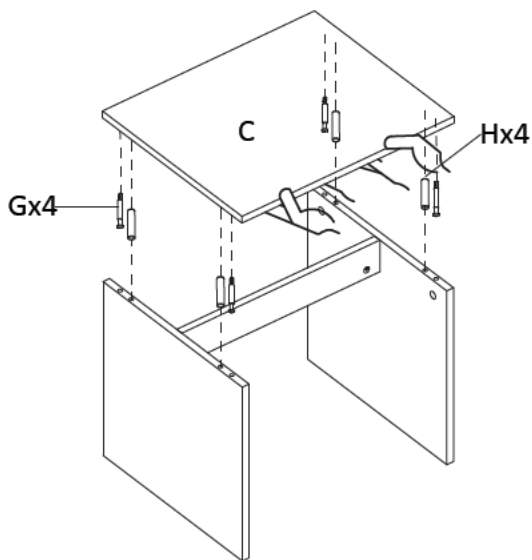


7

Hx4

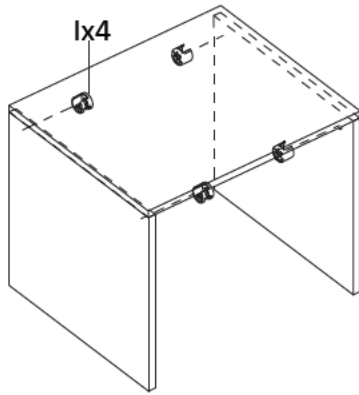


Gx4



8

1x4



c

9

