

ASSEMBLING & INSTALLATION INSTRUCTIONS

The drawing shown may not exactly match the product enclosed.
However, the installation instructions do apply to this product.

- ◆ **WARNING! SHUT POWER OFF AT FUSE OR CIRCUIT BREAKER.**
- ◆ **ATTENTION! COUPER LE COURANT AU FUSIBLE OU UN DISJONCTEUR.**

ASSEMBLING THE FIXTURE (Fig.1)

1. Shut off the power at the circuit breaker and remove old fixture, including the single bar. Carefully unpack your new fixture and lay out all the parts on a clear area. Take care not to lose any small parts necessary for installation.
2. Thread the pipe thread part way into the center hole of the single bar and secure with the hex nut.
3. Attach the single bar to the junction box using two box screws as shown. The side of the single bar marked "GND" must face out. **The junction box is not included.**
4. Follow wiring instructions carefully (see fig.2).
5. Using the end of cluster crystal(H) hang to the small holes of the round frame(C). Attach the candle sleeve(D)/crystal plate(E) and frame(C) onto the lamp holder, then tighten it with the check ring(B). Raise the small cover(A) onto the check ring.
6. Install the light bulb(**Not included**) in accordance with the fixture's specifications. **NOTE: DO NOT EXCEED THE MAXIMUM WATTAGE RATING!**
7. Attach the lamp body(F) onto the junction box, aligning the mounting hole with the pipe thread, then tighten it with the ball nut (G).

CONNECTING THE WIRES (Fig.2)

1. Connect the electrical wires as follows. Connect the Black wire from the fixture to the black house (hot) Wire. Connect the white wire from the fixture to the white (neutral) house wire. Make sure all wire nuts are secured. You may wrap the connections with electrical tape. If your outlet box has a ground wires (green or bare copper) connect fixture's ground wire to it. Otherwise attach the bare copper fixture wire to the green ground screw on the mounting plate.
2. Tuck the wire connections neatly into the wall junction box.

Your installation is now complete. Return power to the junction box and test the fixture.

FIG.1

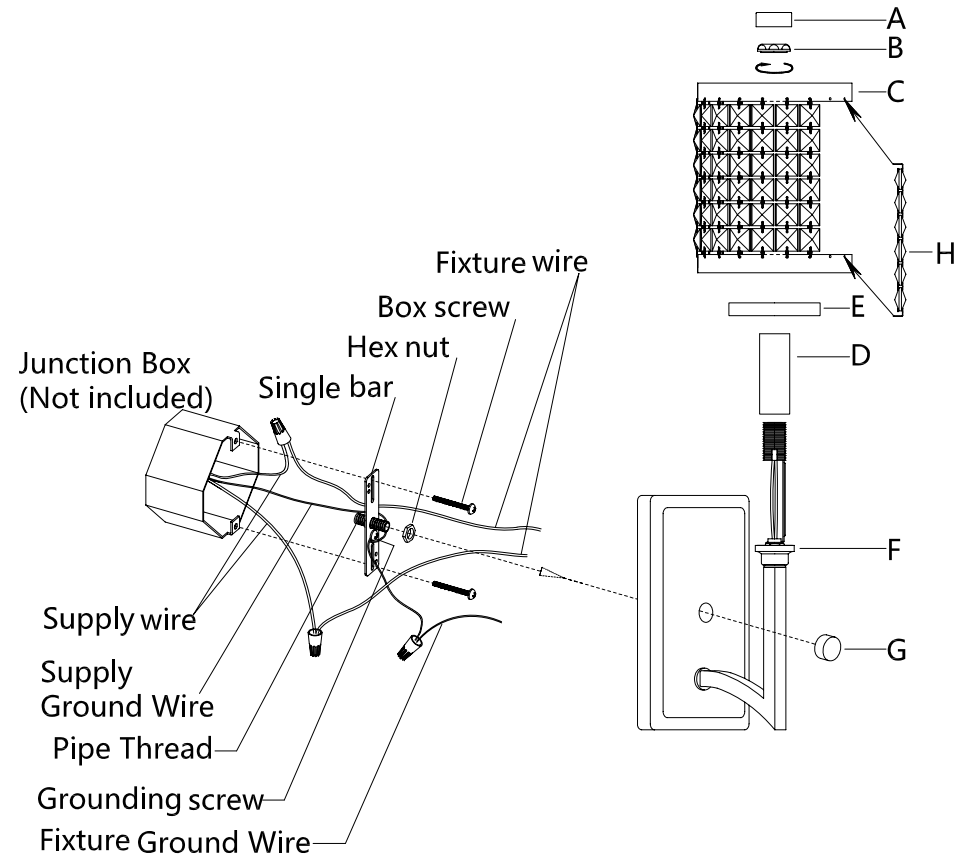
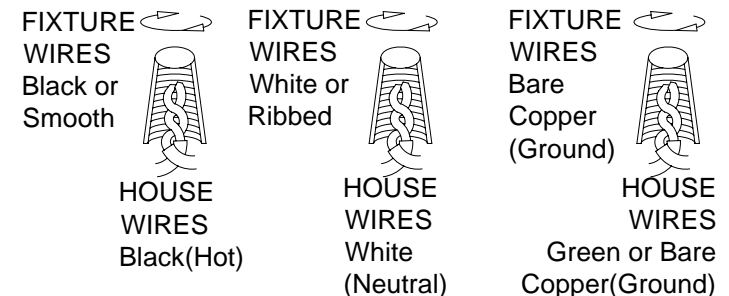


FIG.2



Thank you for purchasing a product.
Need assistance with parts or assembly? Please call customer service