

DOWNLIGHT RETROFIT ROUND

SMOOTH
4", 5-6"



5-6"



4"



SPECIFICATIONS

ELECTRICAL

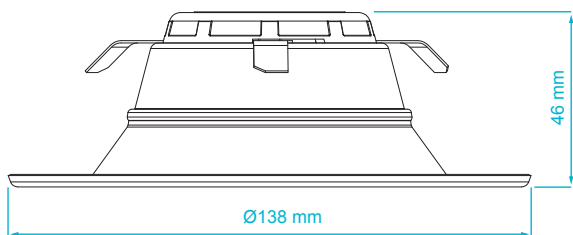
MODEL	DESCRIPTION	POWER	INPUT VOLTS	DIMMABLE	EFFICACY (LPW)	FREQUENCY	LIFETIME	WATT REPLACEMENT
LR24870	LED/DL4/27K/FL/RD	10	120	YES	70.0	50-60Hz	50,000	60
LR24871	LED/DL4/30K/FL/RD	10	120	YES	70.0	50-60Hz	50,000	60
LR24872	LED/DL4/35K/FL/RD	10	120	YES	75.0	50-60Hz	50,000	60
LR24873	LED/DL4/40K/FL/RD	10	120	YES	75.0	50-60Hz	50,000	60
LR23874	LED/DL4/50K/FL/RD	10	120	YES	80.0	50-60Hz	50,000	60
LR24880	LED/DL5-6/27K/FL/RD	15	120	YES	73.3	60Hz	50,000	120
LR24881	LED/DL5-6/30K/FL/RD	15	120	YES	80.0	60Hz	50,000	120
LR24882	LED/DL5-6/35K/FL/RD	15	120	YES	80.0	60Hz	50,000	120
LR24883	LED/DL5-6/40K/FL/RD	15	120	YES	80.0	60Hz	50,000	120
LR24884	LED/DL5-6/50K/FL/RD	15	120	YES	83.3	60Hz	50,000	120

PHOTOMETRIC

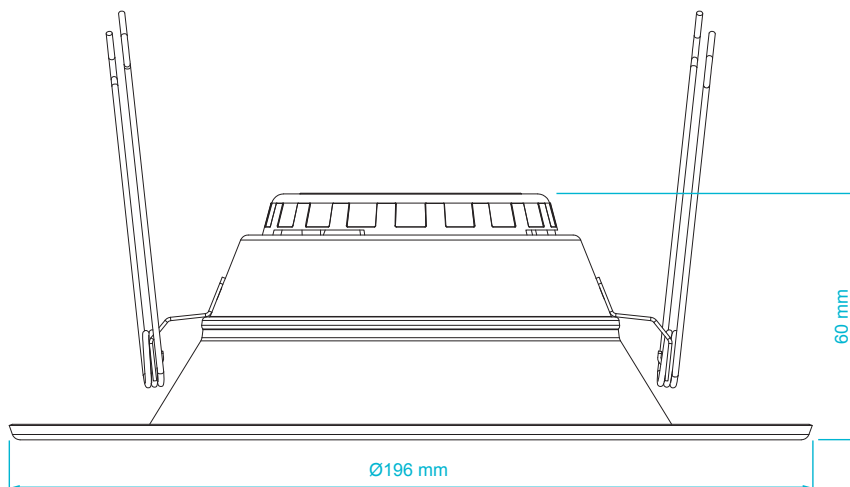
MODEL	COLOR (CCT)	TEMP	LUMEN	FLOOD	CRI	CASE	COST/YR	BASE TYPE	FINISH
LR24870	2700K	WARM WHITE	700	90°	80	12	\$ 1.20	E26 ADAPTER	SMOOTH TRIM
LR24871	3000K	SOFT WHITE	700	90°	80	12	\$ 1.20	E26 ADAPTER	SMOOTH TRIM
LR24872	3500K	NATURAL	750	90°	80	12	\$ 1.20	E26 ADAPTER	SMOOTH TRIM
LR24873	4000K	COOL WHITE	750	90°	80	12	\$ 1.20	E26 ADAPTER	SMOOTH TRIM
LR24874	5000K	BRIGHT WHITE	800	90°	80	12	\$ 1.20	E26 ADAPTER	SMOOTH TRIM
LR24880	2700K	WARM WHITE	1100	100°	80	12	\$ 1.81	E26 ADAPTER	SMOOTH TRIM
LR24881	3000K	SOFT WHITE	1200	100°	80	12	\$ 1.81	E26 ADAPTER	SMOOTH TRIM
LR24882	3500K	NATURAL	1200	100°	80	12	\$ 1.81	E26 ADAPTER	SMOOTH TRIM
LR24883	4000K	COOL WHITE	1200	100°	80	12	\$ 1.81	E26 ADAPTER	SMOOTH TRIM
LR24884	5000K	BRIGHT WHITE	1250	100°	80	12	\$ 1.81	E26 ADAPTER	SMOOTH TRIM

GENERAL

DIAGRAM



4" DOB DOWNLIGHT



5-6" DOB DOWNLIGHT