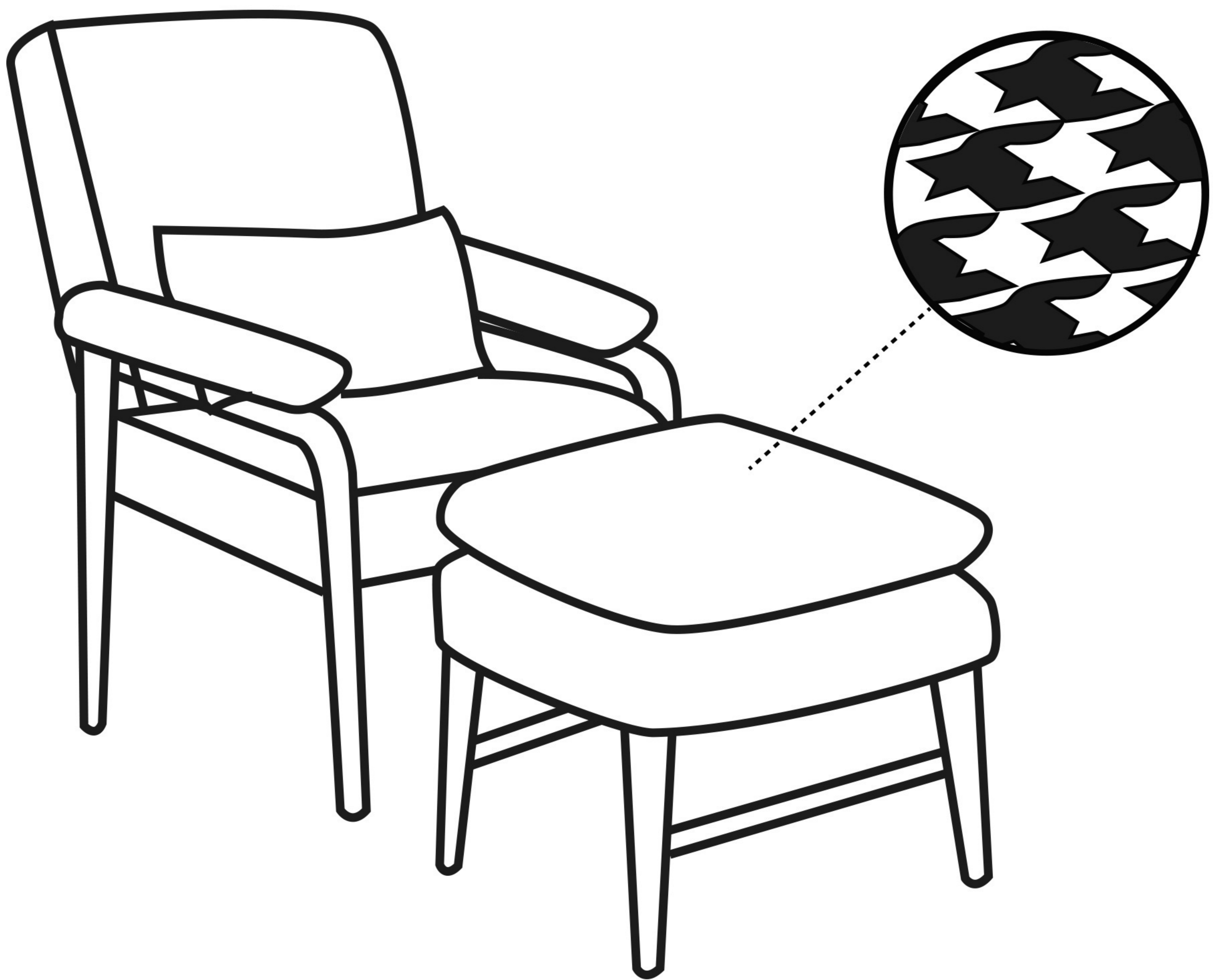


# ACCENT CHAIR

with OTTOMAN



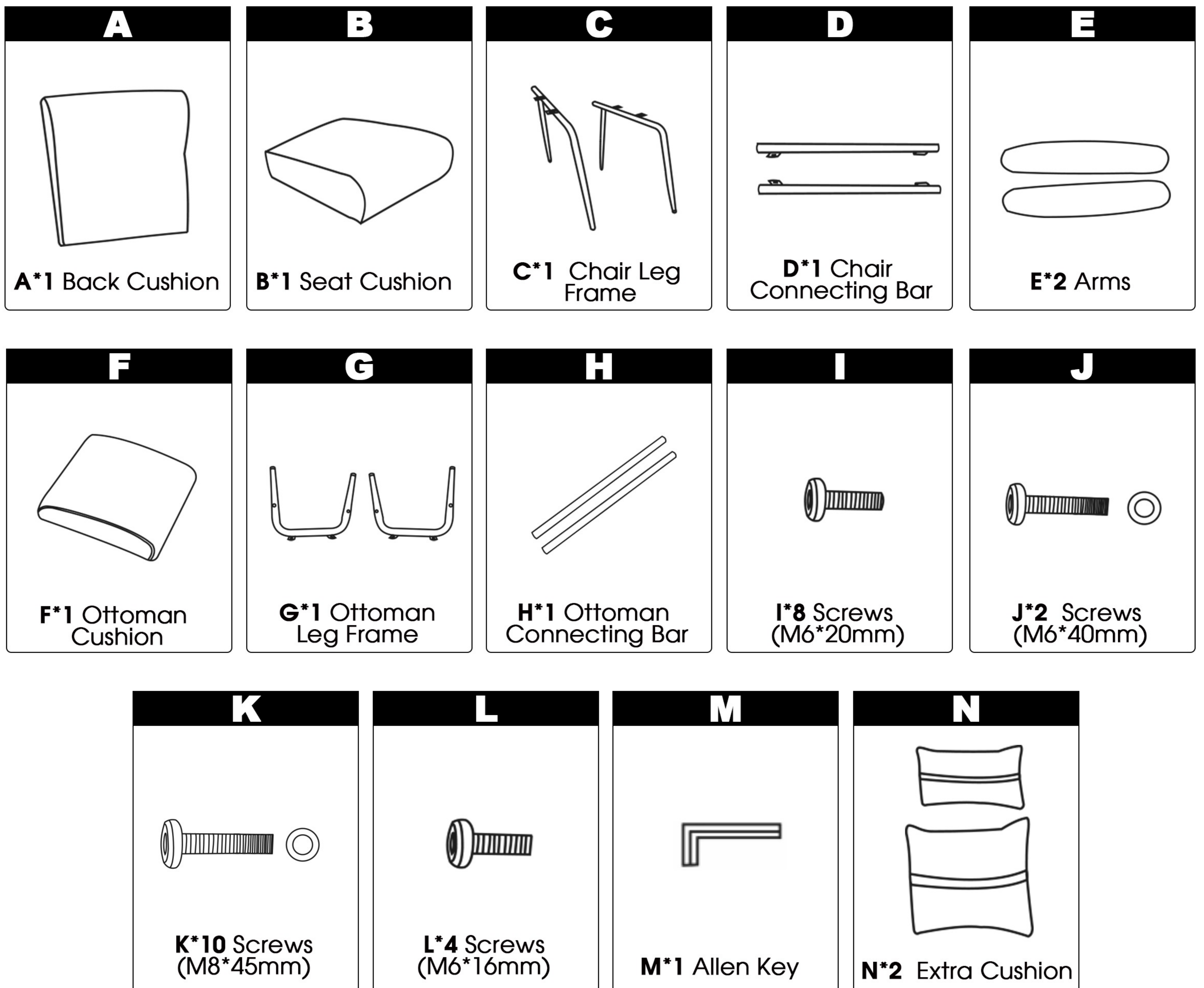
# CONGRATULATIONS!

Accent Chair with ottoman - a name synonymous with classic design and the carrier of value and quality. Our products are directly from factory and eliminated the cost of middlemen. The Accent Chair with ottoman is a high-quality shading solution to enhance comfortable feelings as you try to enjoy the nice day.

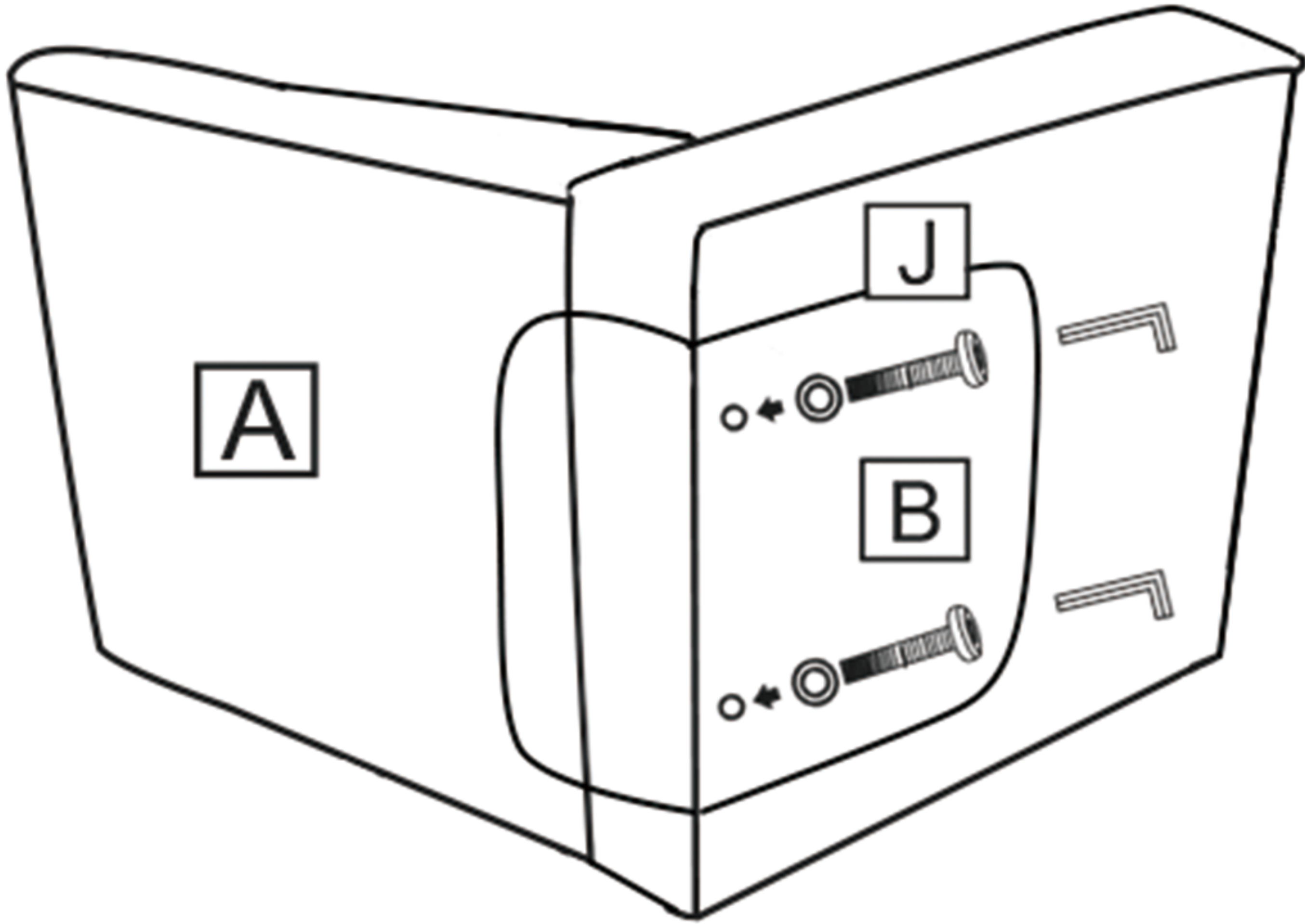
## WARRANTY

- All warranties are to the original purchaser
- will replace the defective parts or send replacement item provided that the warranty parts have not been subjected to misuse, abuse or improper service by the consumer, for example, damaged wire arising in consequence of negligence or improper operation.
- All of chairs come with a 30-day return/replace policy. During this time, we will cover the shipping cost of return and replacement for defective and damaged item, through provide pre-paid return label or pick up service for customer's convenience.

### PARTS LIST

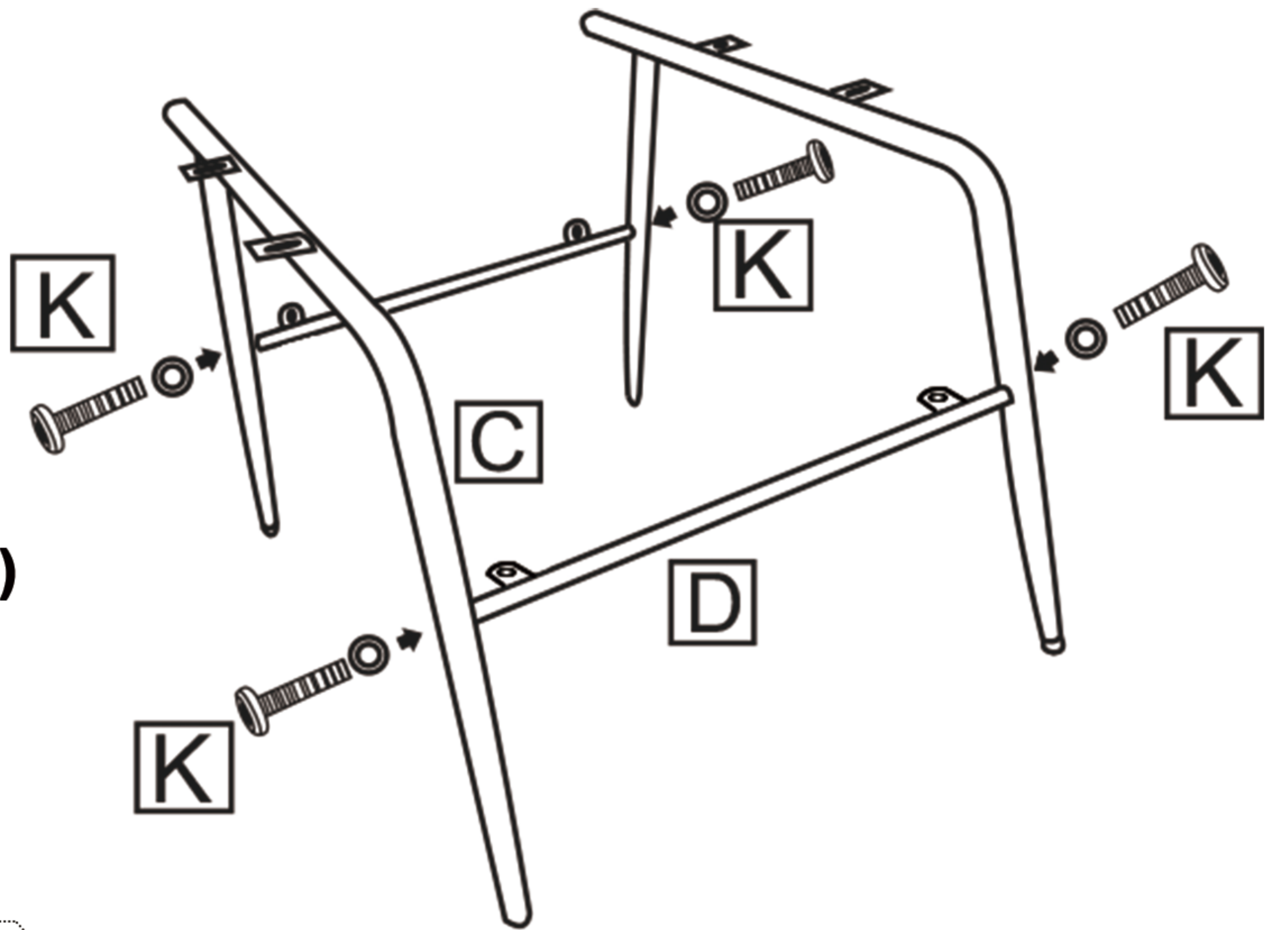


**Please remove all protective foam.**



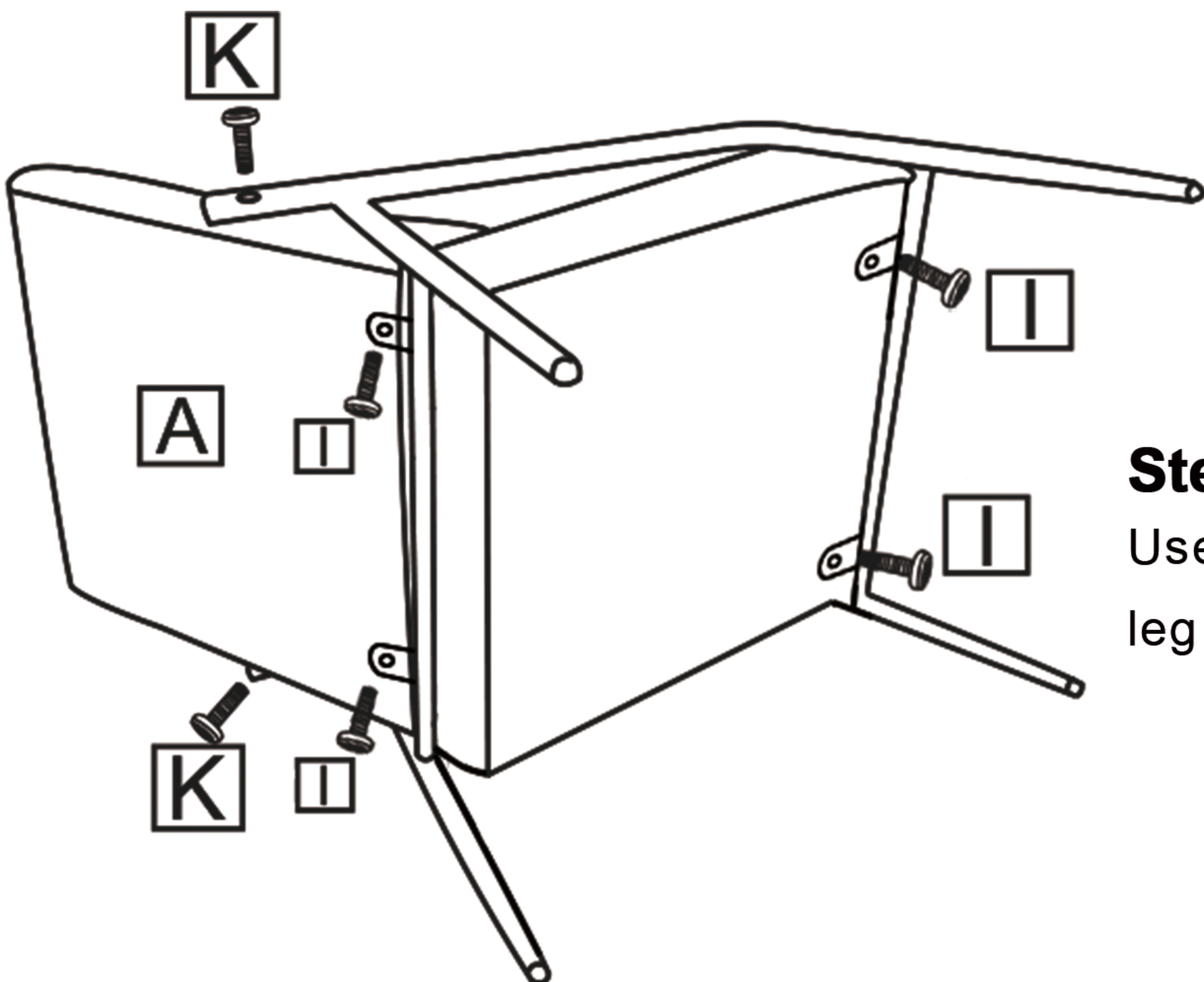
**Step 1**

First unzip the seat cushion **(B)** and connect the back to the seat from inside. Align the back **(A)** with the holes in the seat cushion **(B)**, and tighten the screws **(J)** on both sides.



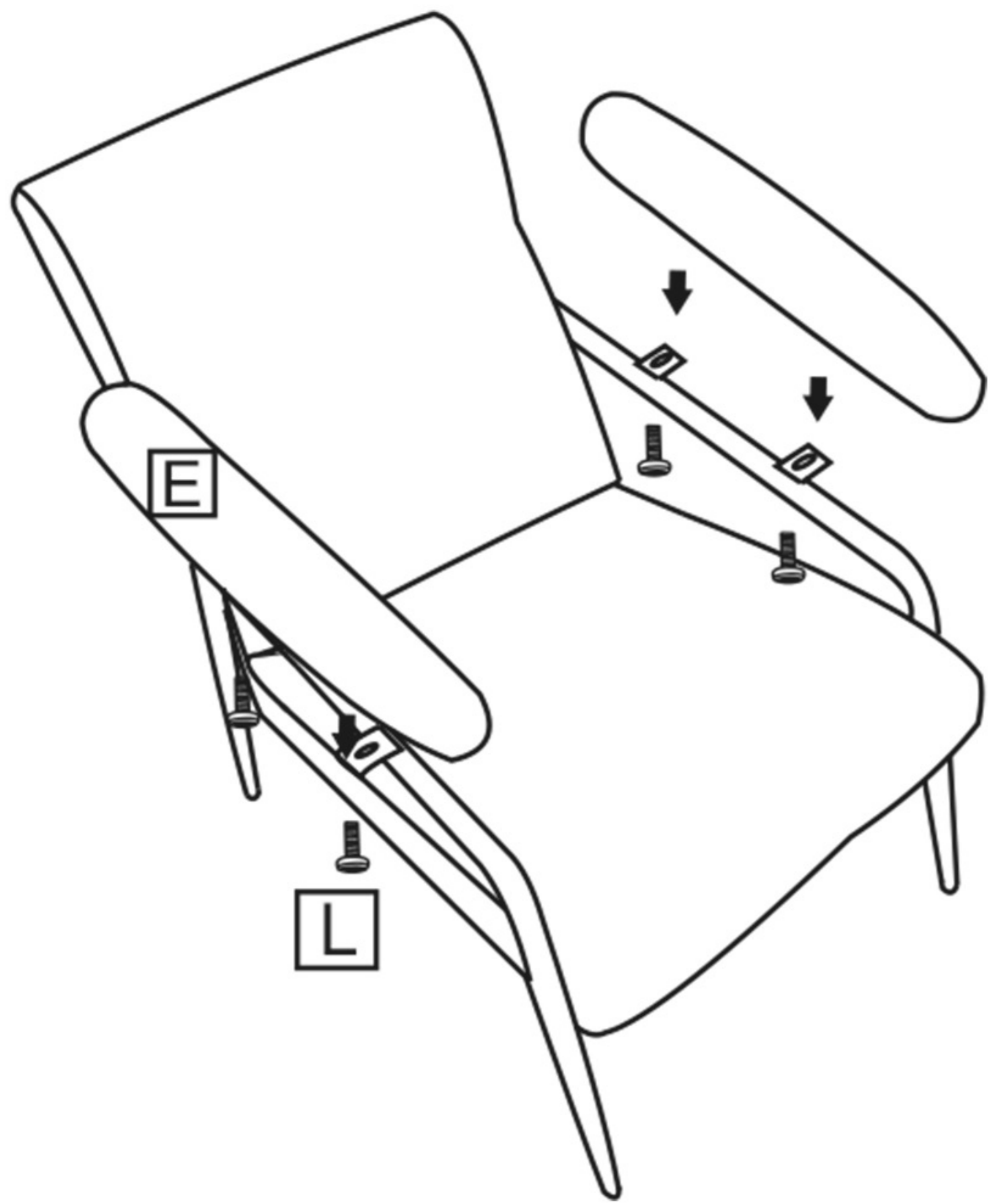
**Step 2**

Align the holes of chair connecting bar **(D)** and leg frame **(C)** and fix them with screws **(K)**



**Step 3**

Use Screws **(K, I)** to screw the installed leg frame to the back and cushion

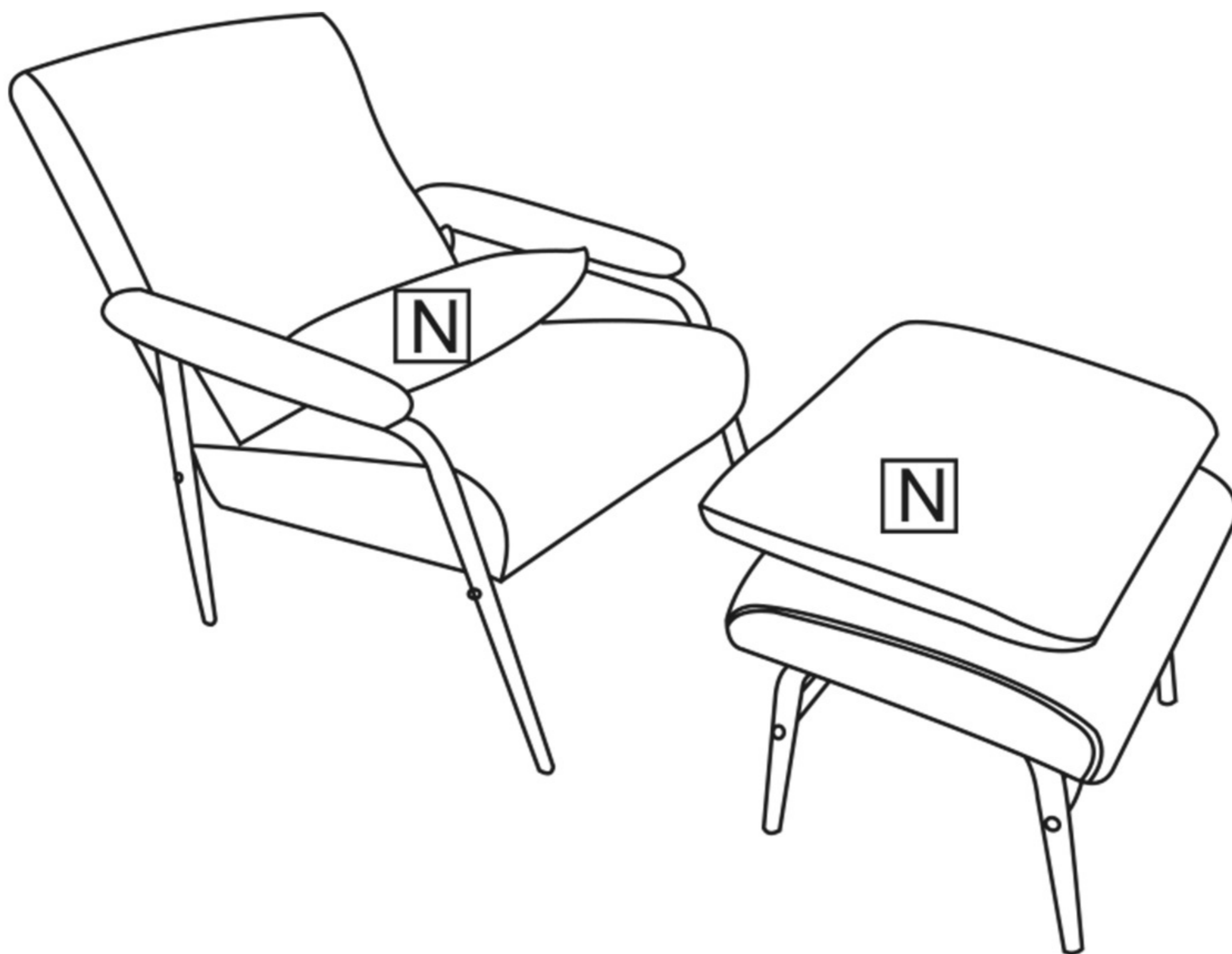
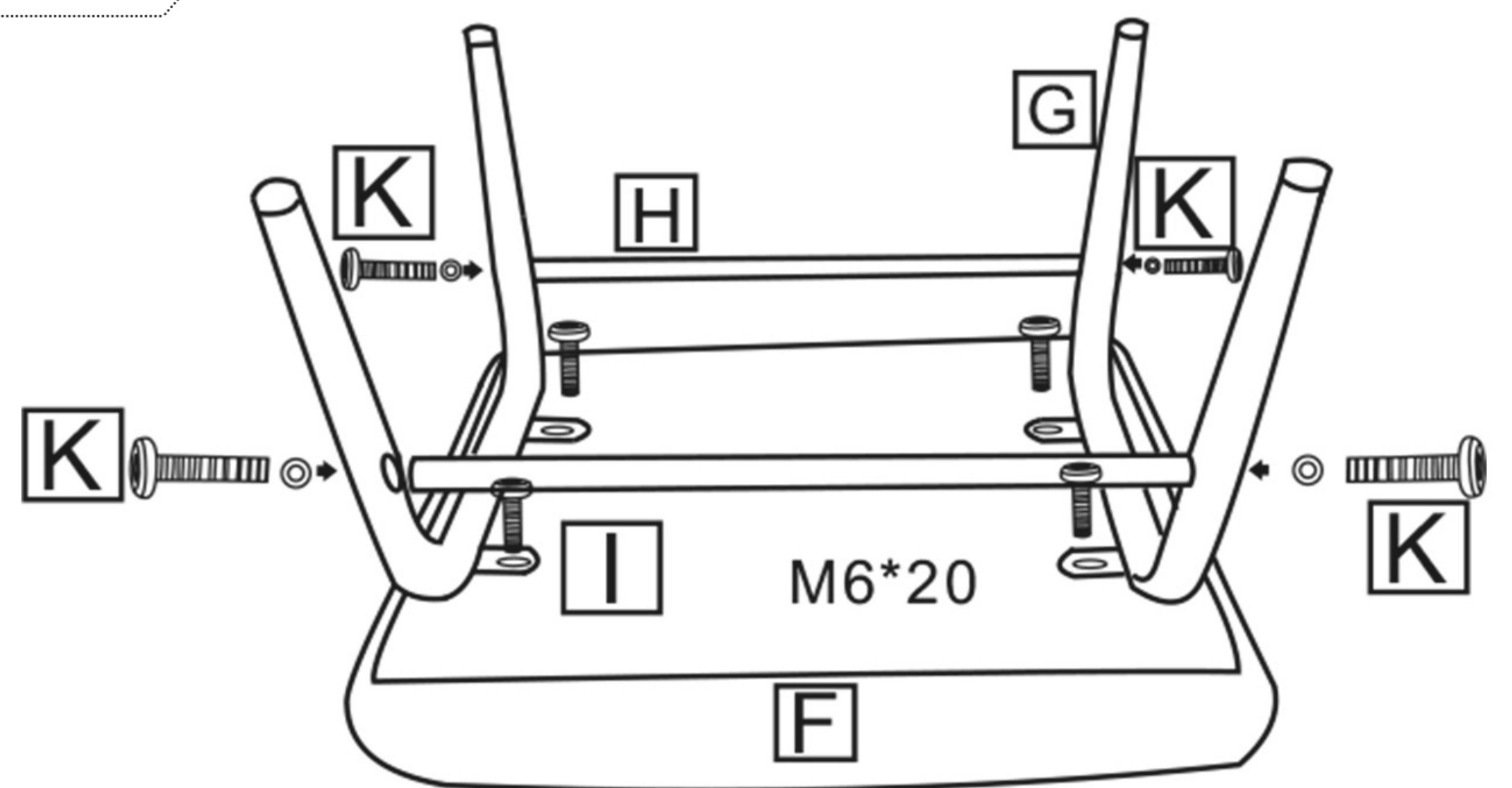


### Step 4

Place arms **(E)** on the leg frame and fix it with screws **(L)**

### Step 5

Align the holes of ottoman connecting bar **(H)** and ottoman leg frame **(G)** and fix them with screws **(K)**, then use screws **(I)** to fix ottoman cushion **(F)**.



### Step 6

Place the extra cushions **(N)** on the chair and ottoman respectively.