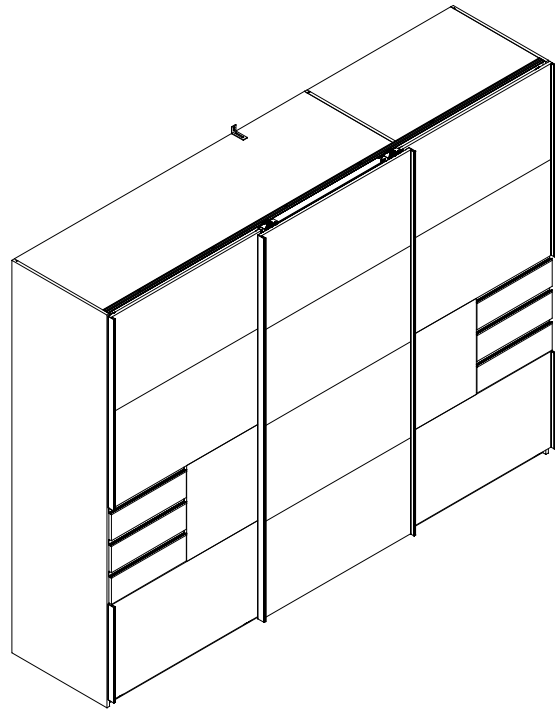
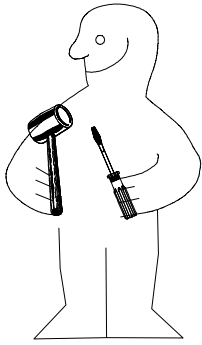
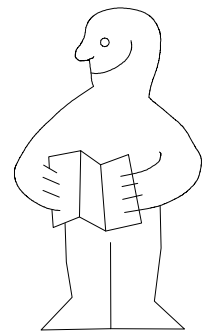
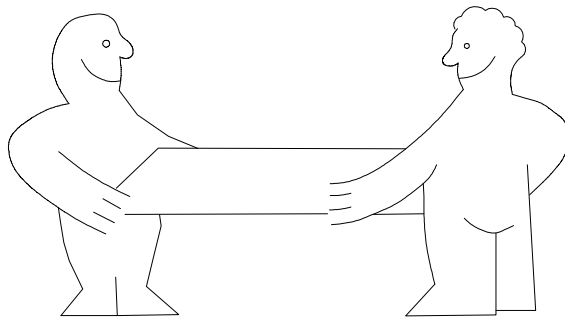
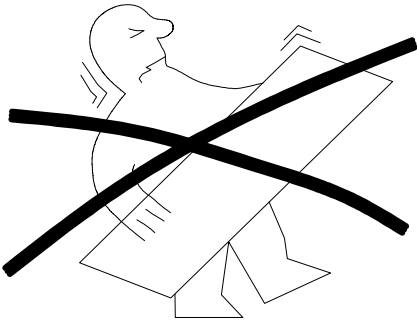


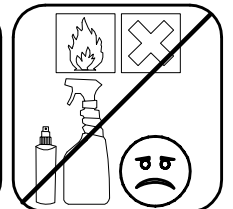
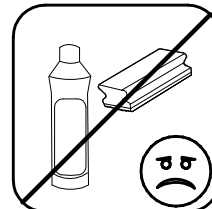
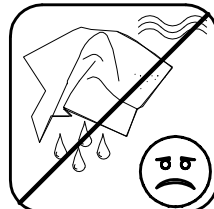
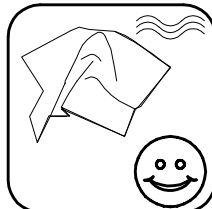
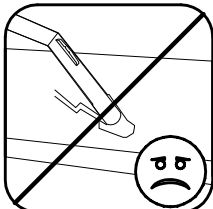
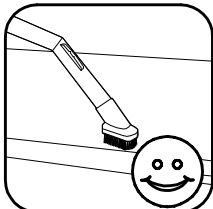
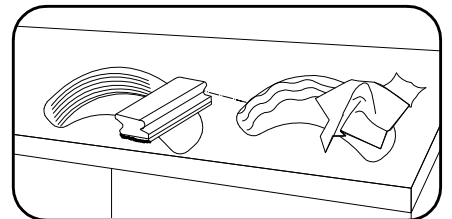
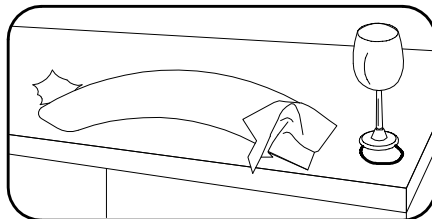
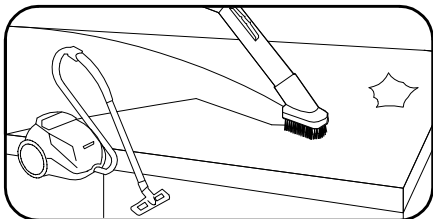
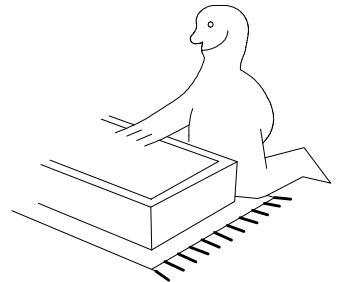
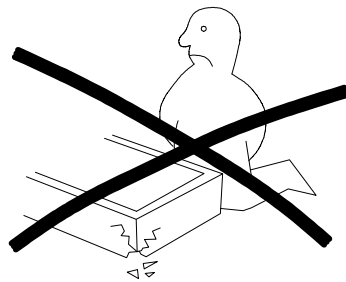
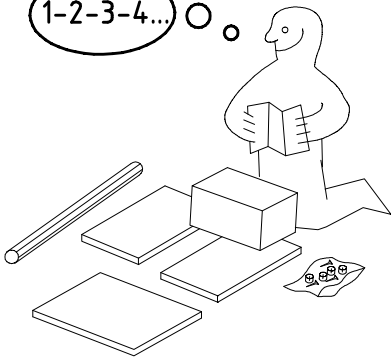
980876



Typ 641



1-2-3-4... ○ ○


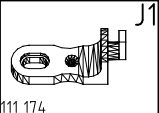

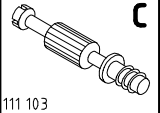

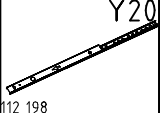
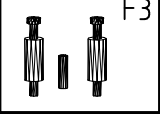
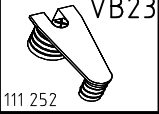

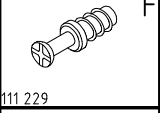
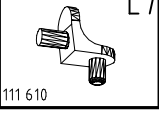
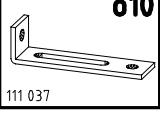

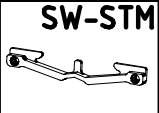
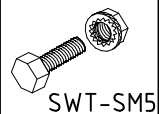
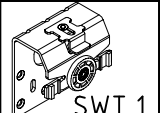
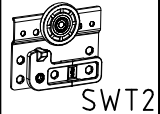

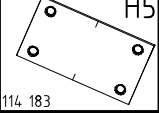
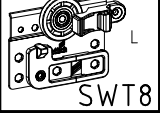
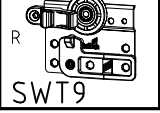
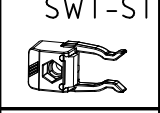
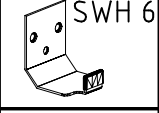
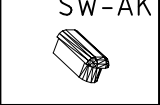
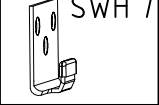


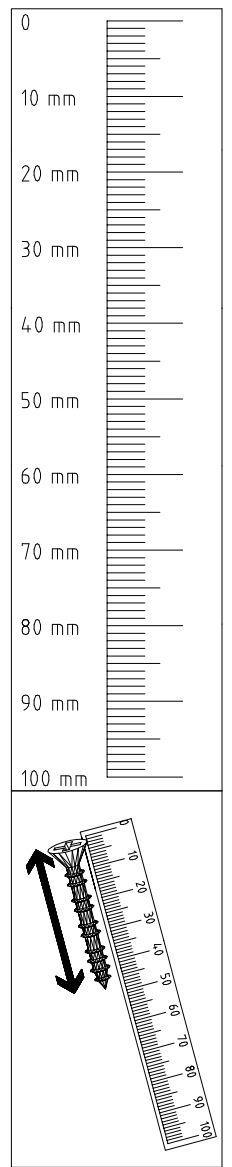
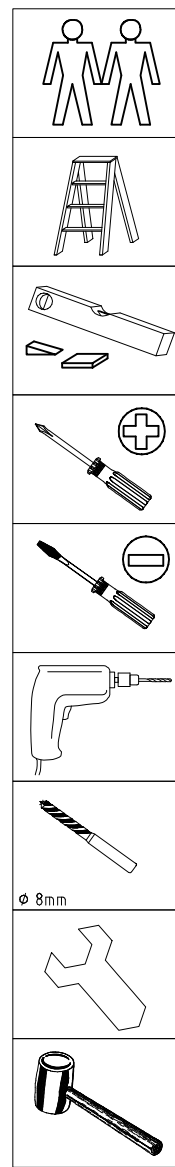
980876

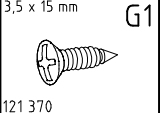
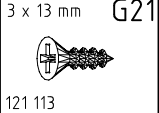
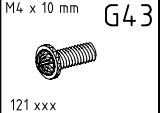

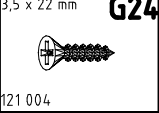
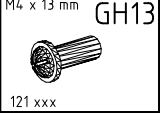
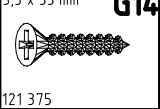
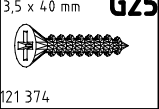

09.03.20 / 26.01.22


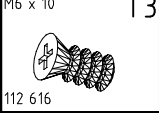
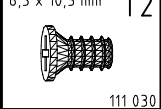
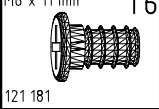
01 22

1/29

 111 102	A 24x	 111 174	J1 8x	 163 007	Z 4x
 111 103	C 16x	 117 006	K4 4x	 112 198	Y20 12x
 111 229	F3 4x	 111 252	VB23 8x	 112 402	K20 870mm 2x
 353 018 $\varnothing 8 \times 30$	D 4x	 111 610	L7 24x	 111 037	o10 1x
SWH-SKR  1x	SW-STM  1x	SWT-SM5  2x	SWT 1  2x	SWT 2  2x	
SWH-SKL  1x	H5  114 183 13x	SWT 8  1x	SWT 9  1x		
SWT-ST  2x	SWH 6  2x				
SW-AK  8x	SWH 7  4x				



G1  121 370 3,5 x 15 mm 40x	G21  121 113 3 x 13 mm 24x	G43  121 xxx M4 x 10 mm 6x
G8  111 015 M4 x 9 mm 12x	G24  121 004 3,5 x 22 mm 10x	GH13  121 xxx M4 x 13 mm 6x
G14  121 375 3,5 x 35 mm 16x	G25  121 374 3,5 x 40 mm 12x	SP13  121 122 4 x 13mm 110x

SP15  121 120 4 x 15mm 1x	T3  112 616 M6 x 10 12x
T2  111 030 6,3 x 10,5 mm 34x	T6  121 181 M6 x 11 mm 6x

FPN
1316/1760
2204/2648/3092/3536

2x 17C 2016mm
2x 517C 1007mm
2x 617C 503mm

2x 17B 2016mm

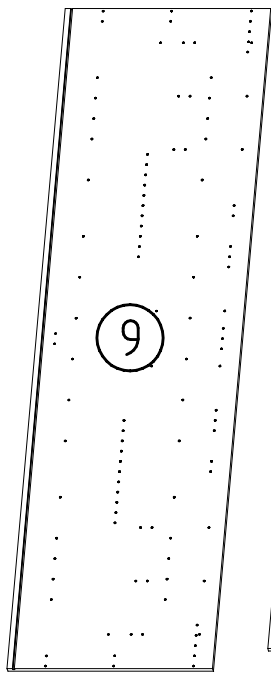
2x 17D **2x 17E**

SWT-LP NSP
1316/1760
2204/2648/3092/3536

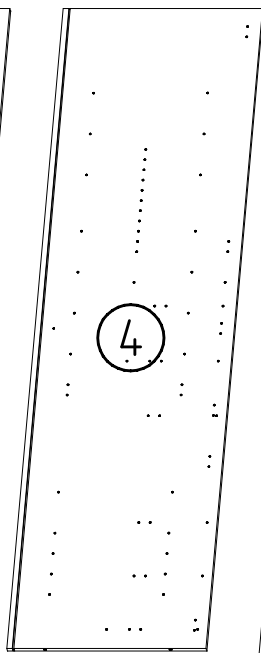
2x 18A 887mm

2x 18B 440mm

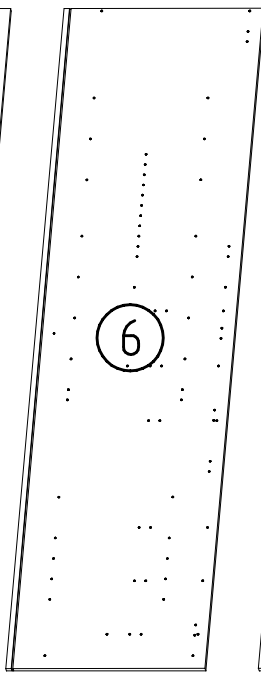
6x ZU25 456mm



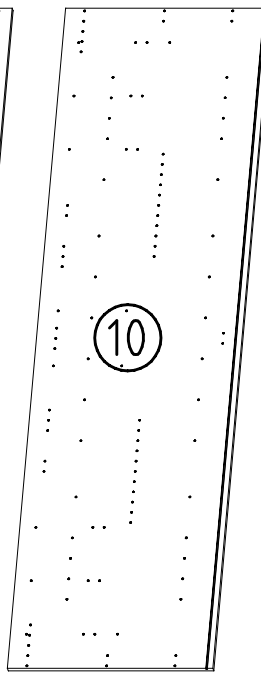
2064x577x15



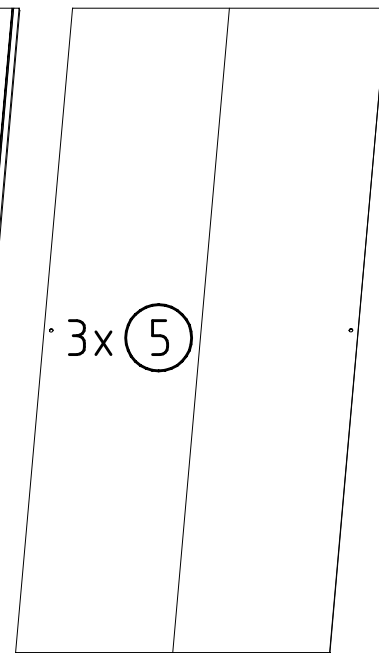
2001x560x15



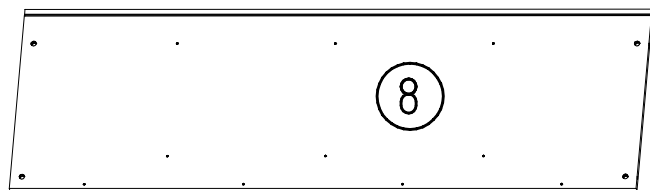
2064x560x15



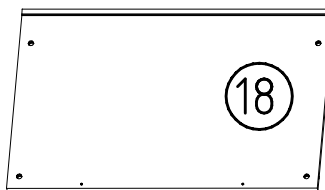
2064x577x15



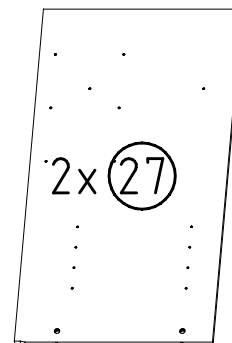
2015x882x2,5



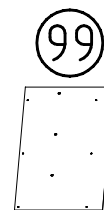
1761x560x15



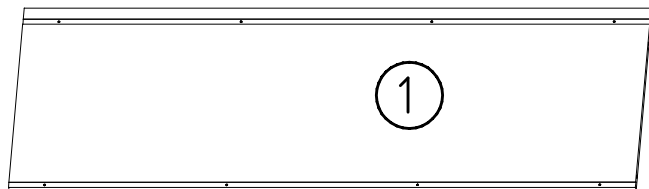
873x560x15



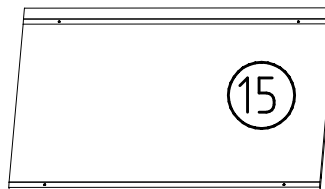
1041,5x557x15



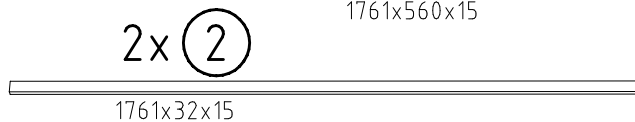
385x247x2,5



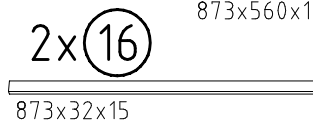
1761x560x15



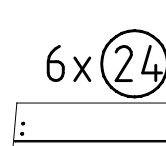
873x560x15



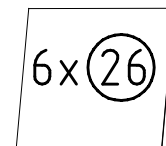
1761x32x15



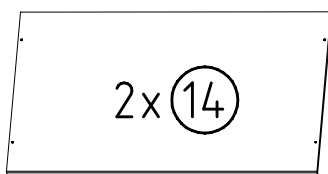
873x32x15



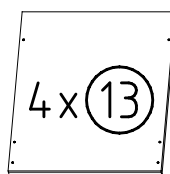
456x138x15



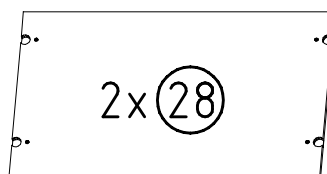
437x408x2,5



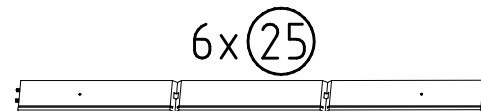
873x500x18



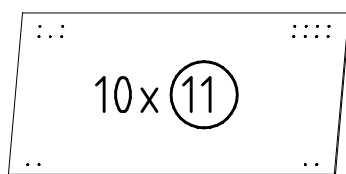
429x500x18



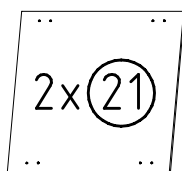
873x540x18



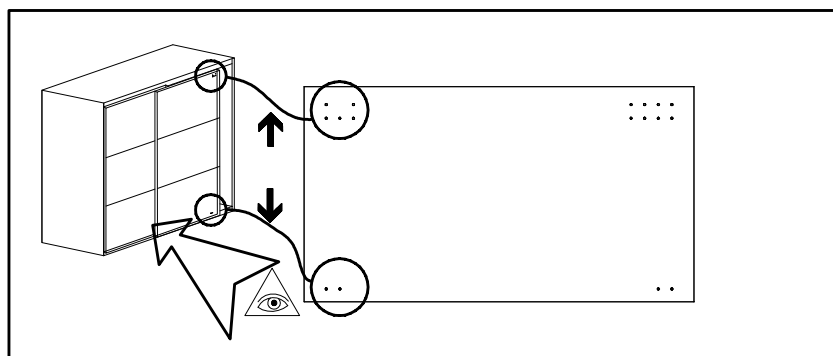
439/422/439x92x12

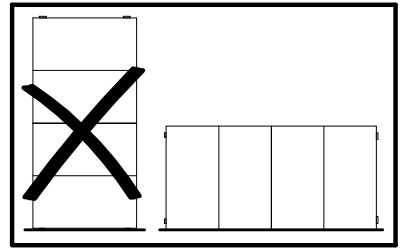
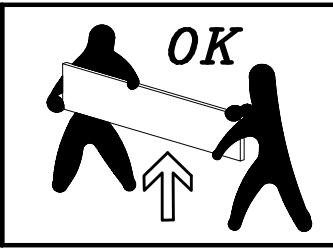
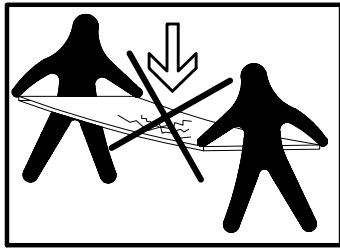
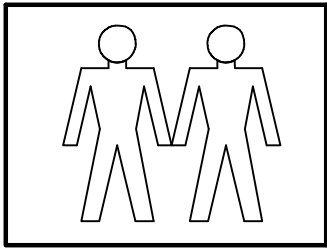


916x504x15

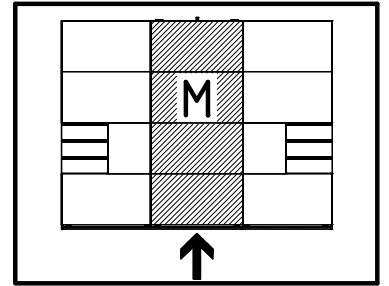
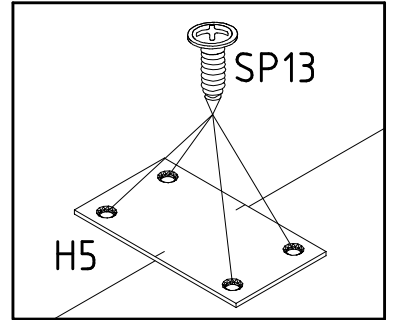
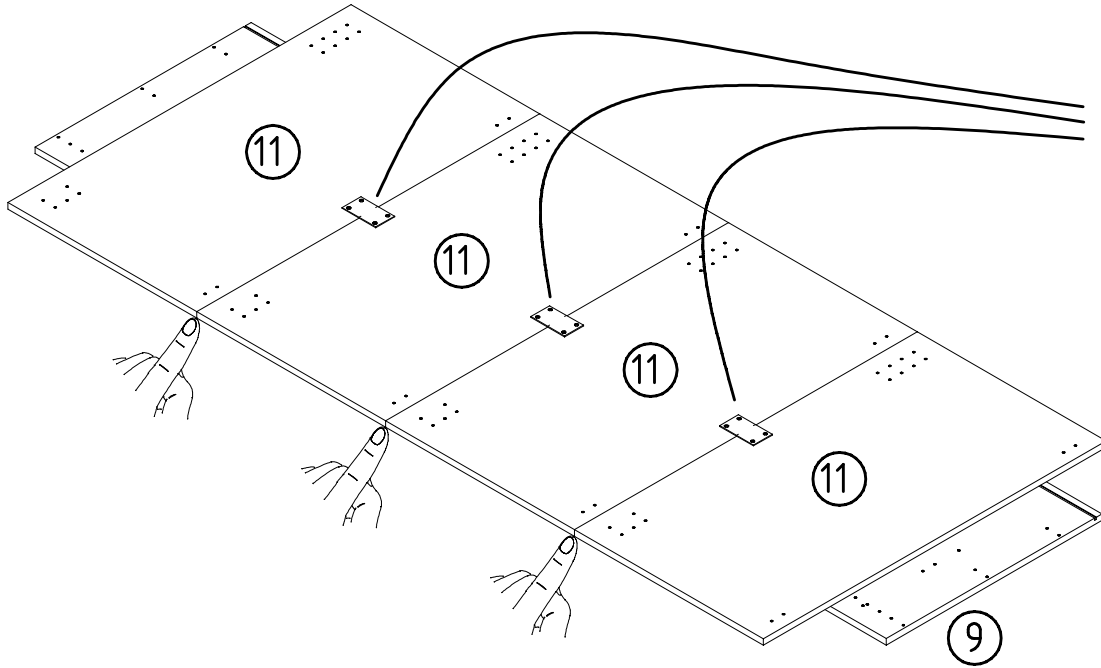
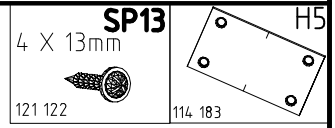


455x504x15

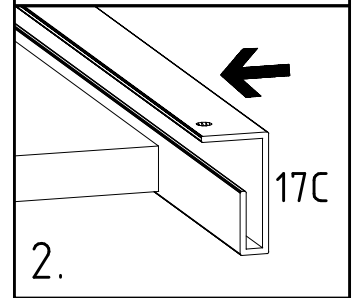
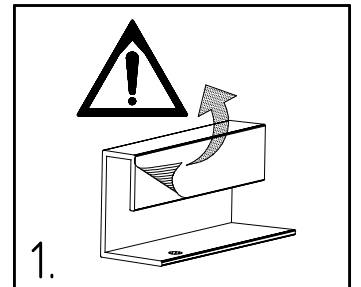
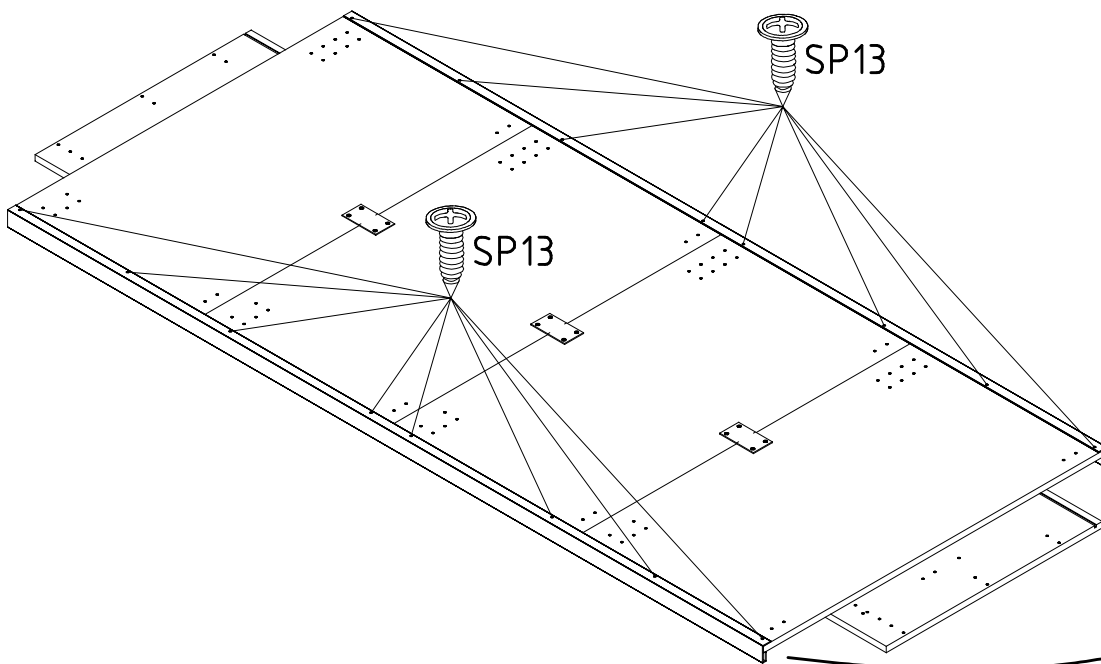
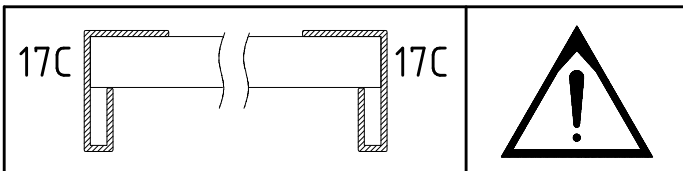




1



2



3

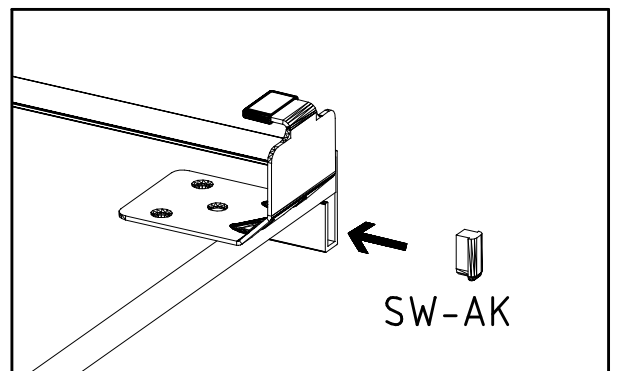
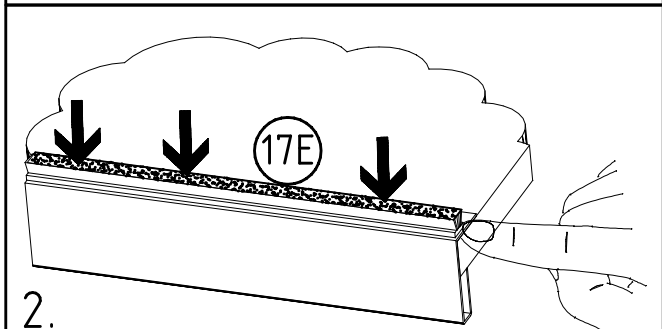
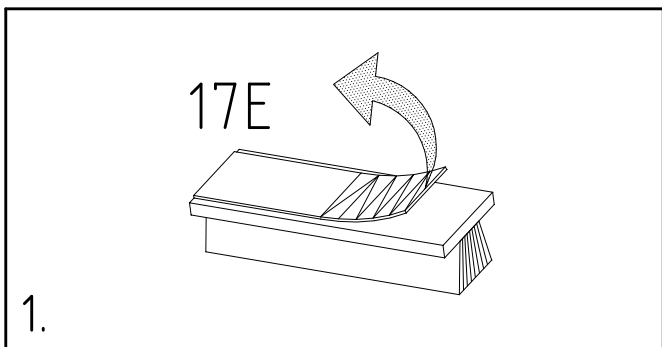
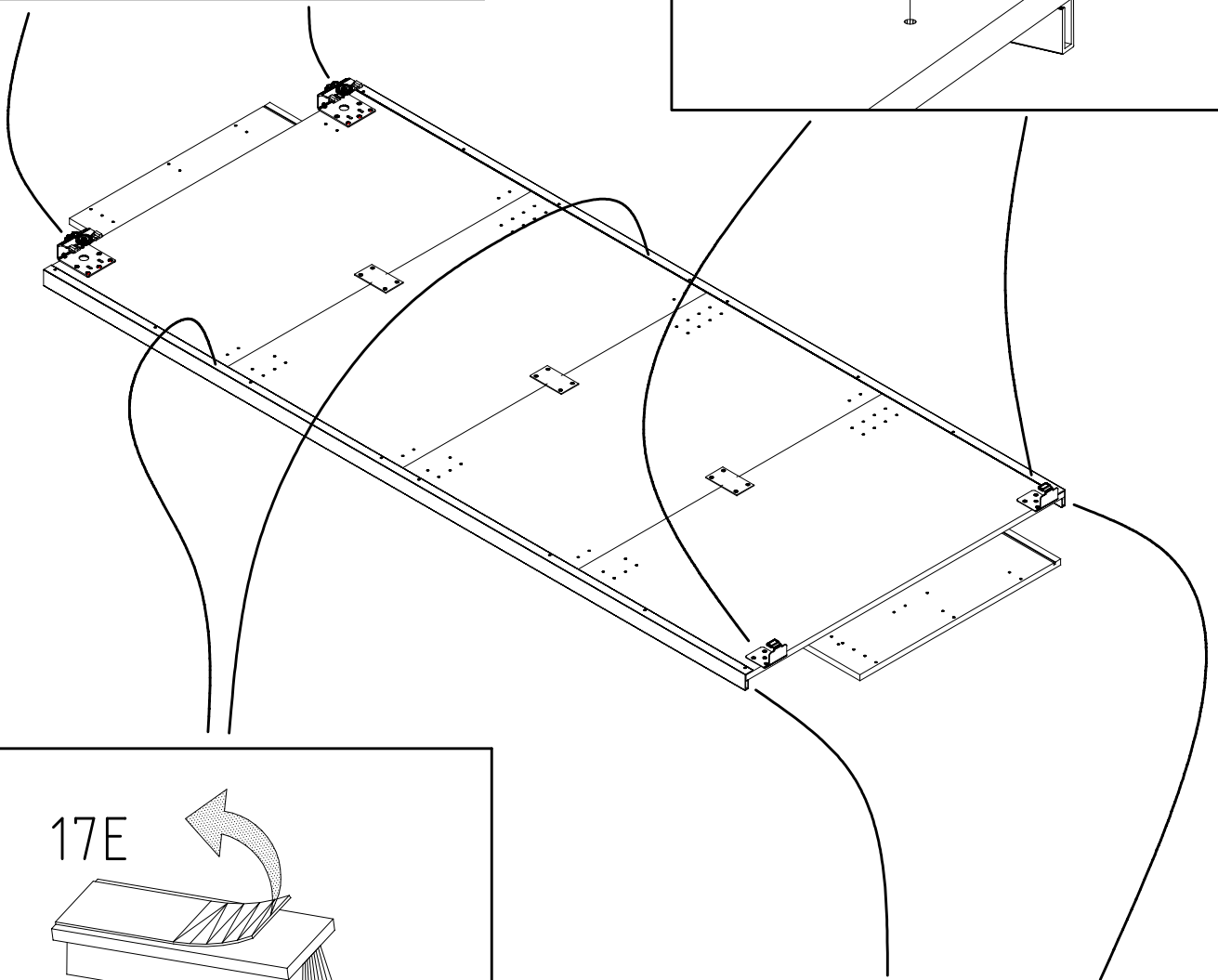
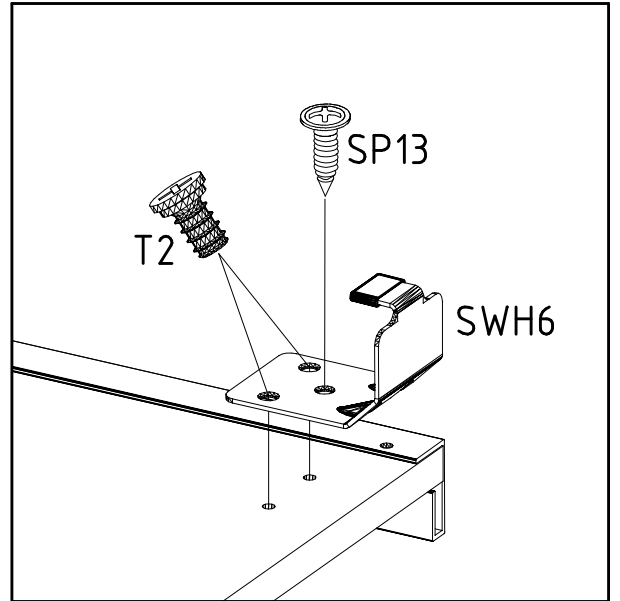
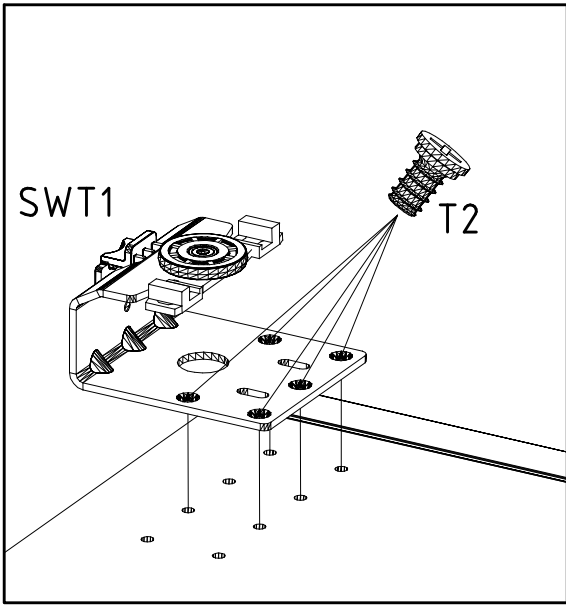
SP13
4 X 13mm
121 122

6,3 x 10,5 mm T2
111 030

SW-AK

SWH 6

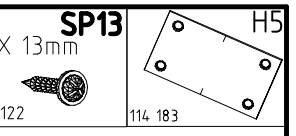
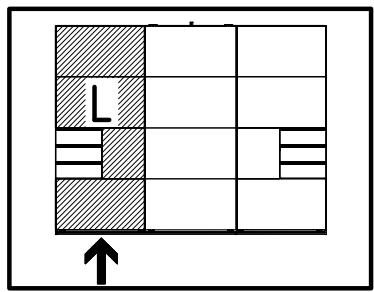
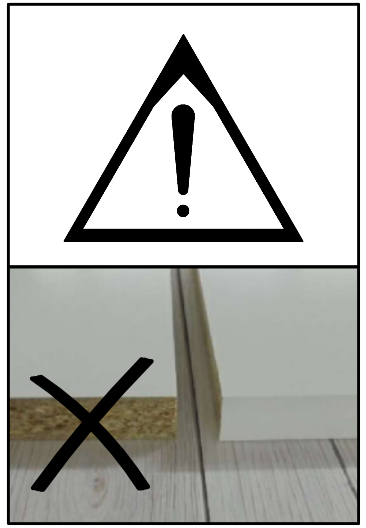
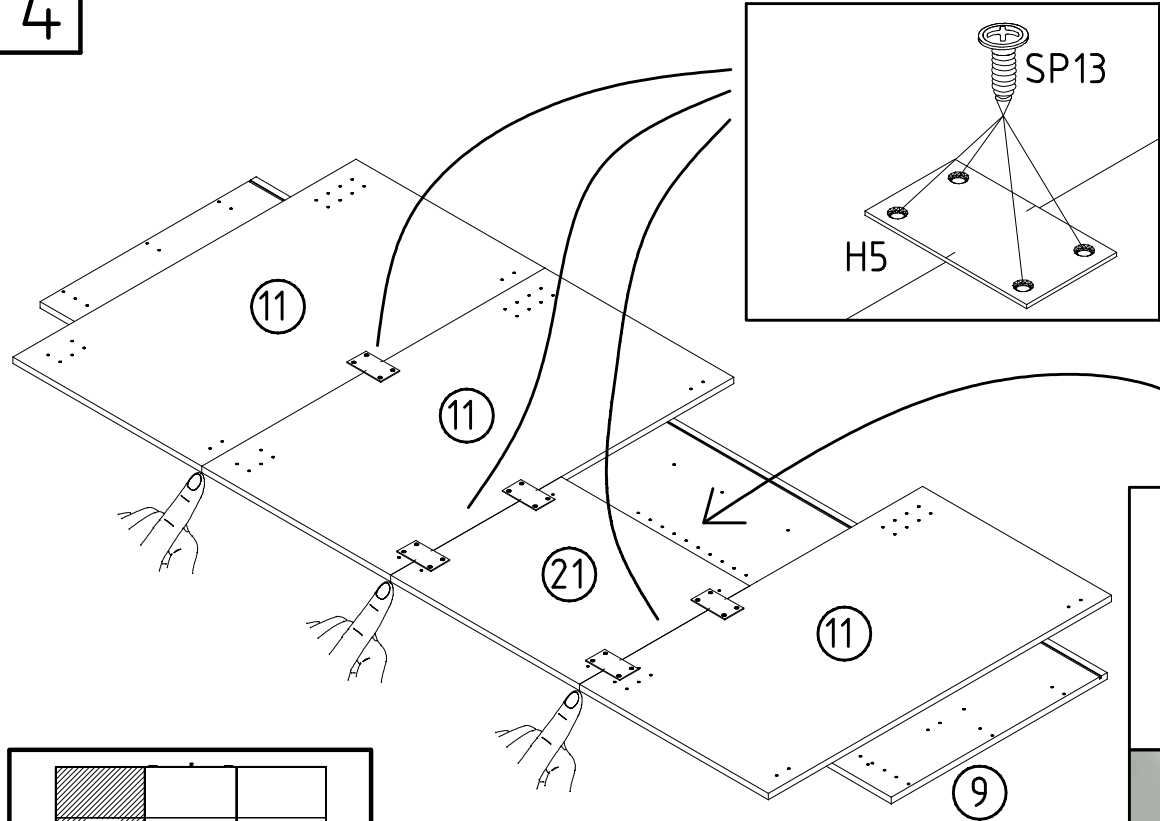
SWT 1



4

SP13
4 X 13mm
121 122

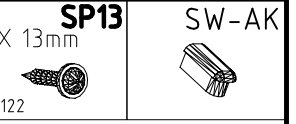
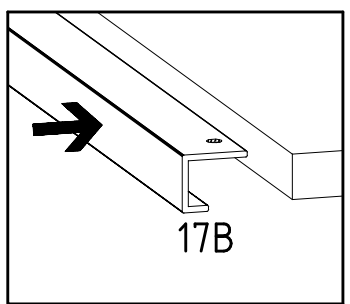
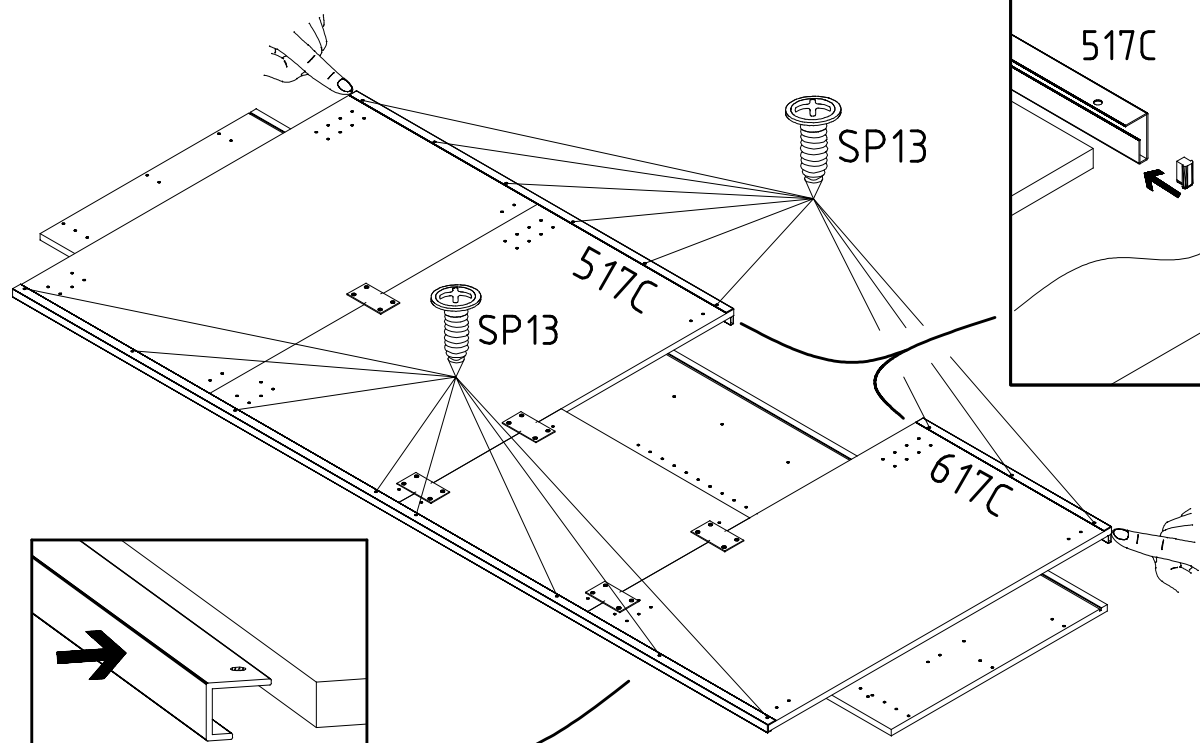
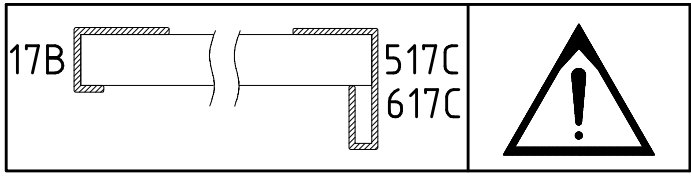
H5
114 183

5

SP13
4 X 13mm
121 122

SW-AK

6

3,5 x 15 mm
G1
121 370

SP13
4 X 13mm
121 122

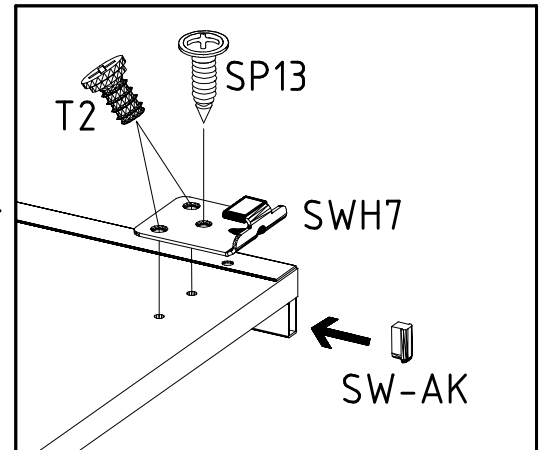
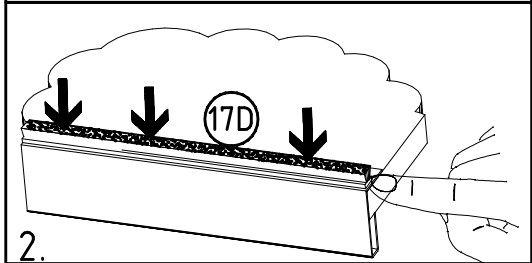
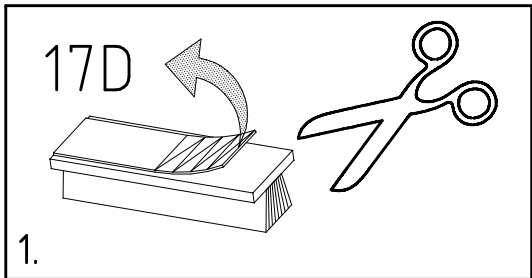
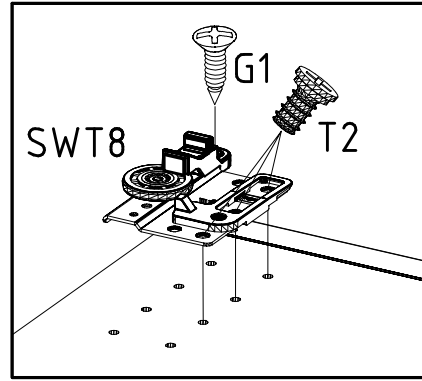
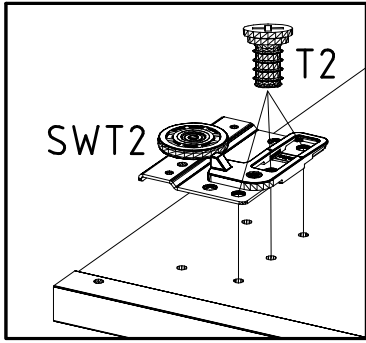
6,3 x 10,5 mm
T2
111 030

SW-AK

SWH 7

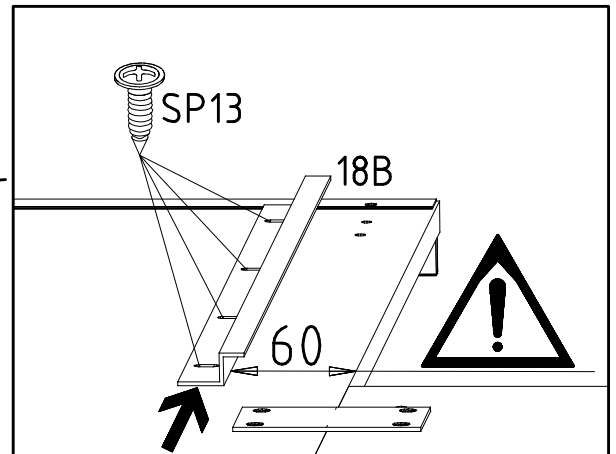
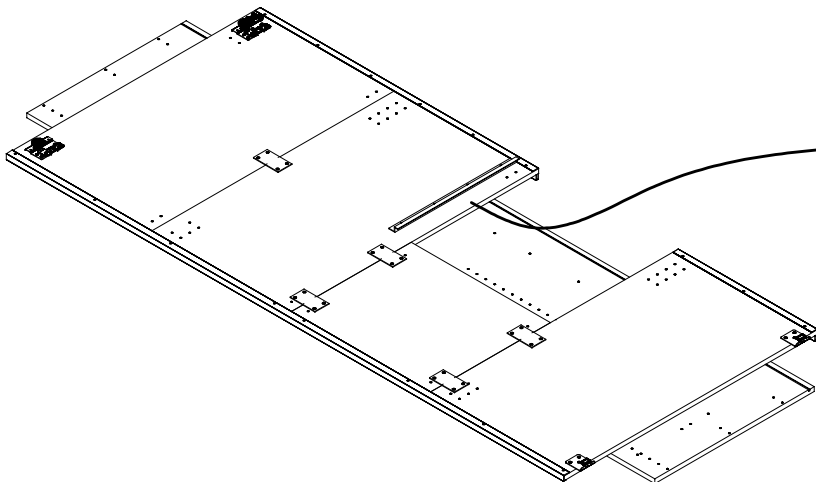
SWT8

SWT2



7

SP13
4 X 13mm
121 122



980876

09.03.20 / 26.01.22

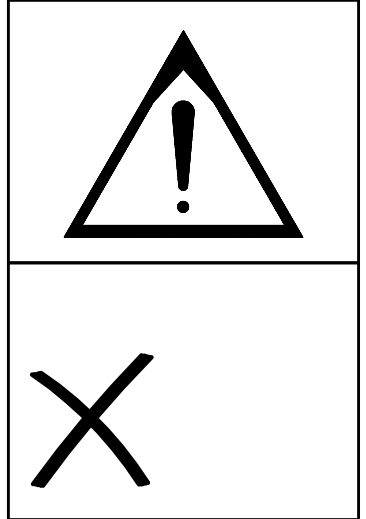
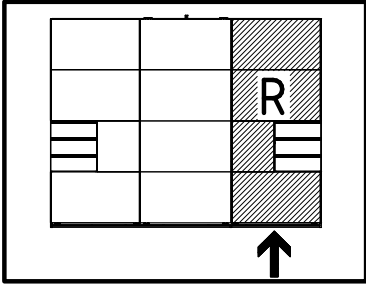
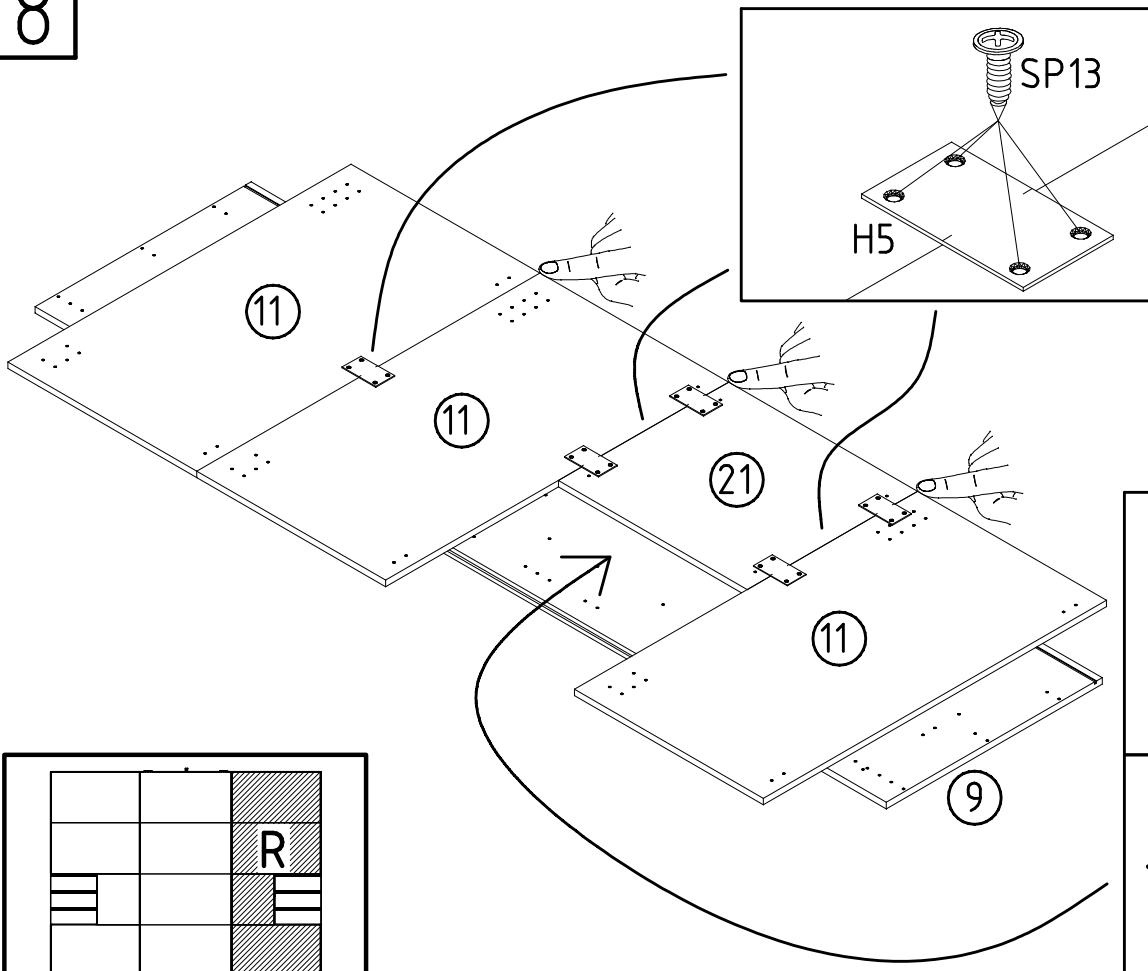
01 22

7/29

8

SP13
4 X 13mm
121 122

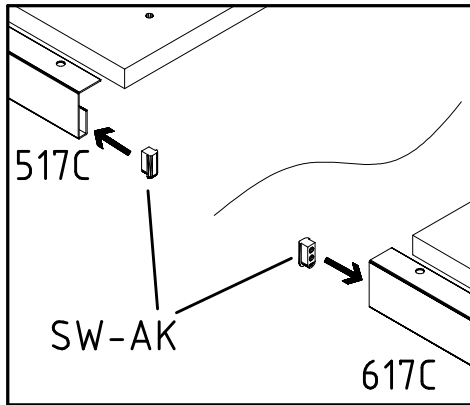
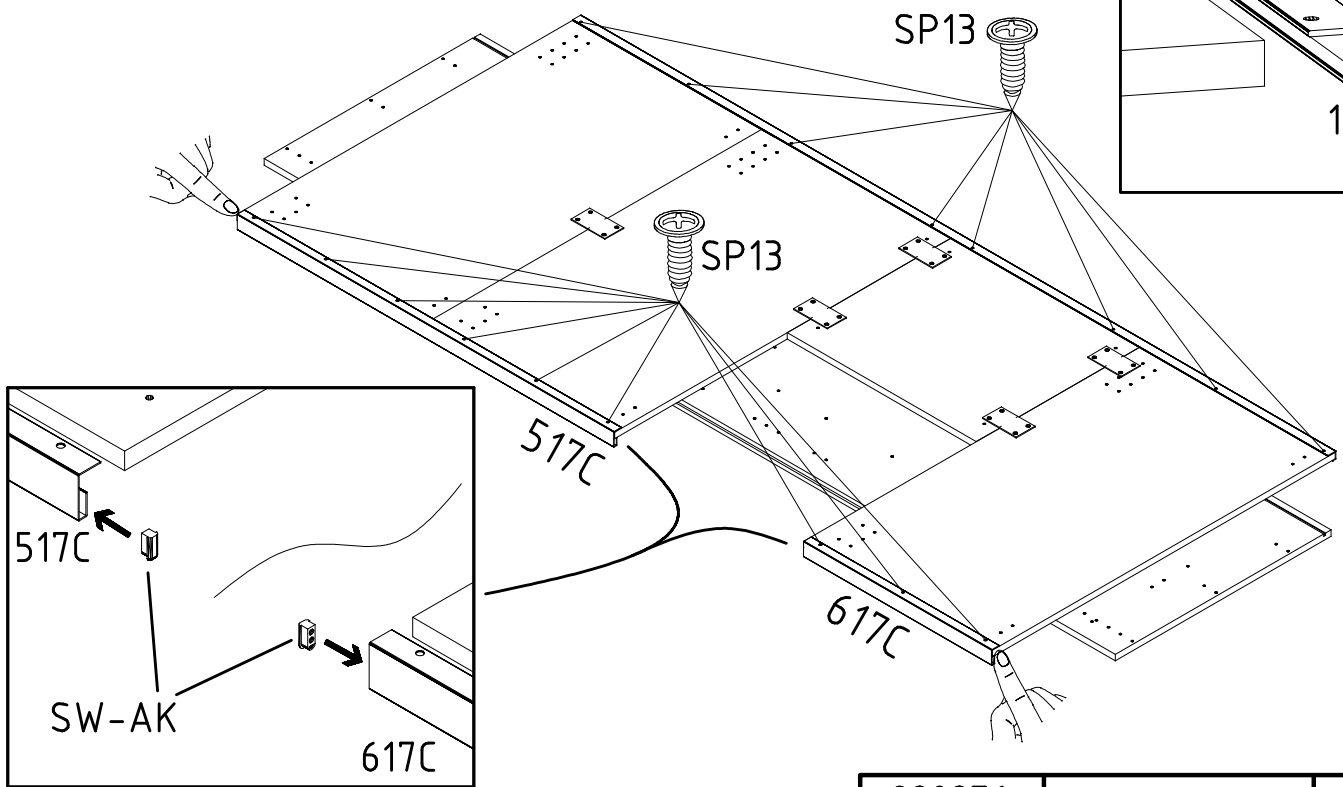
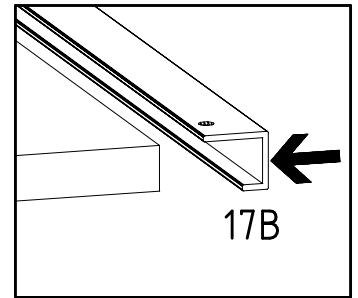
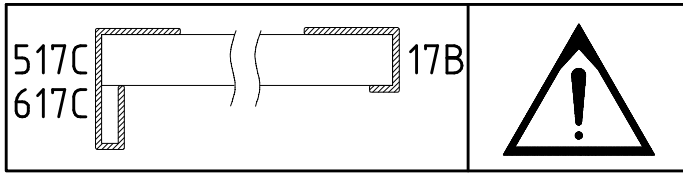
H5
114 183

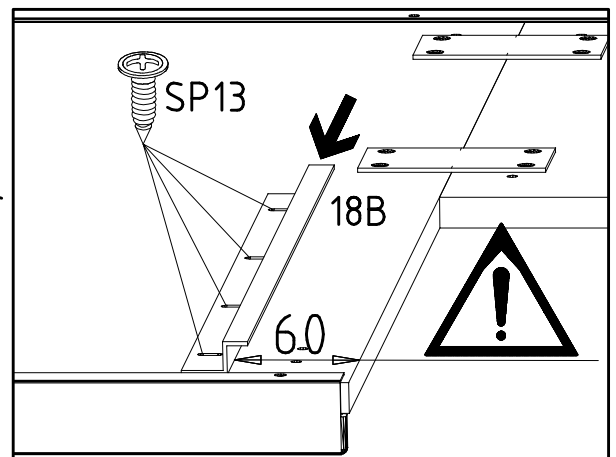
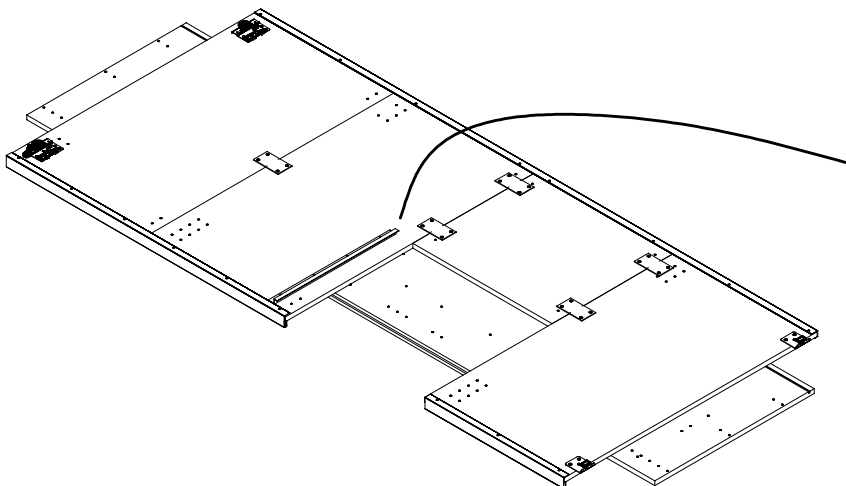
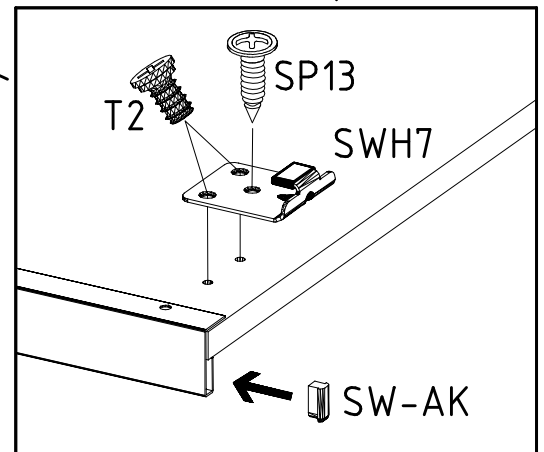
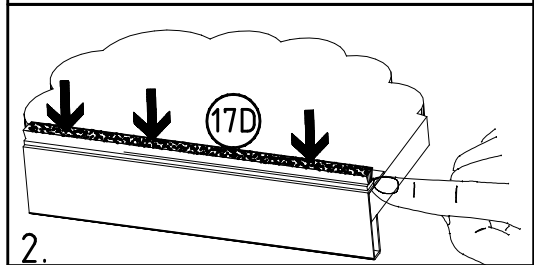
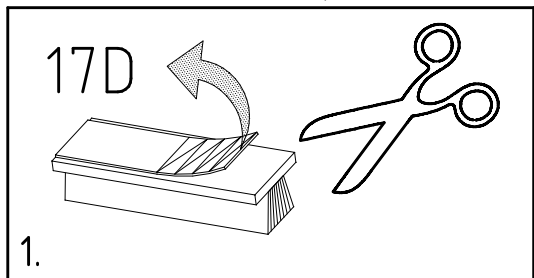
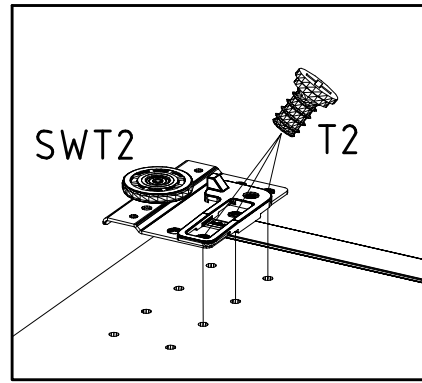
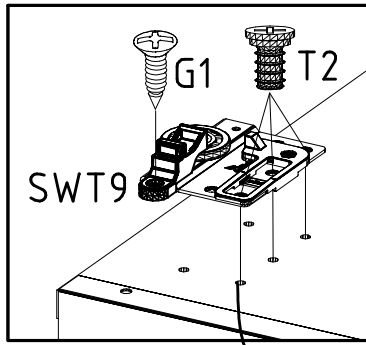
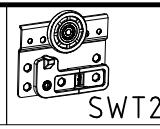
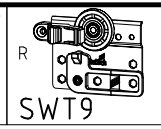
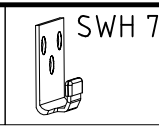
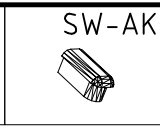
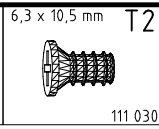
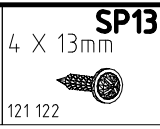
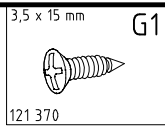


9

SP13
4 X 13mm
121 122

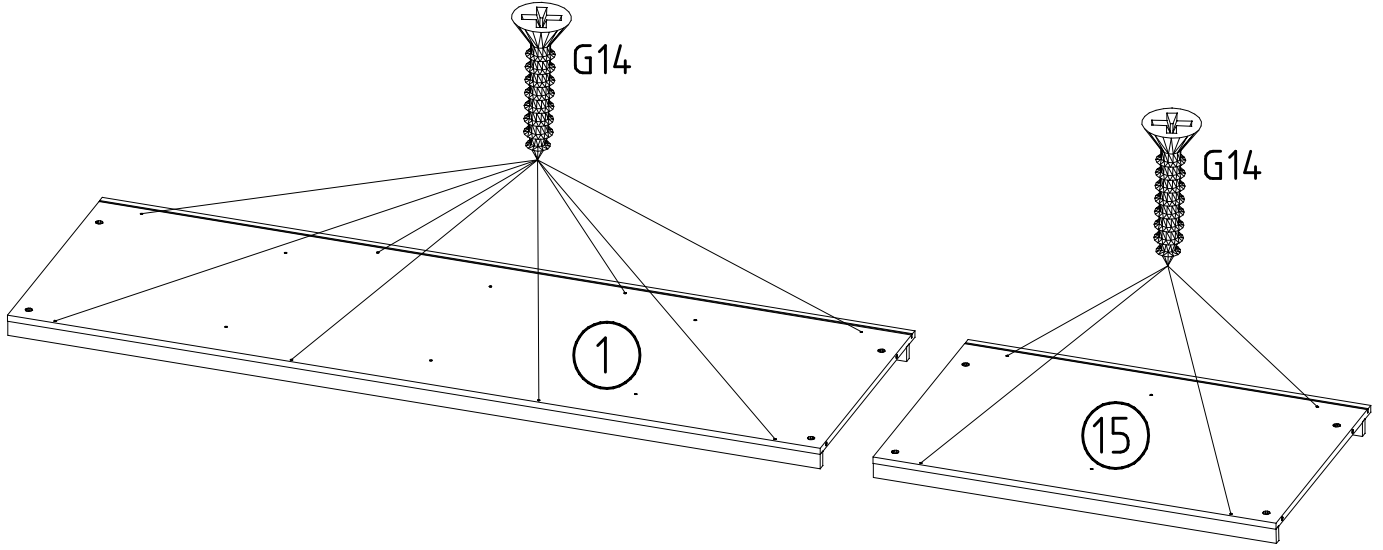
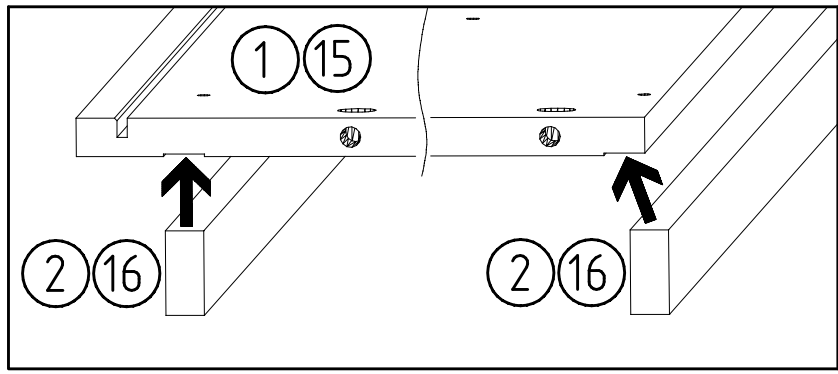
SW-AK
114 183





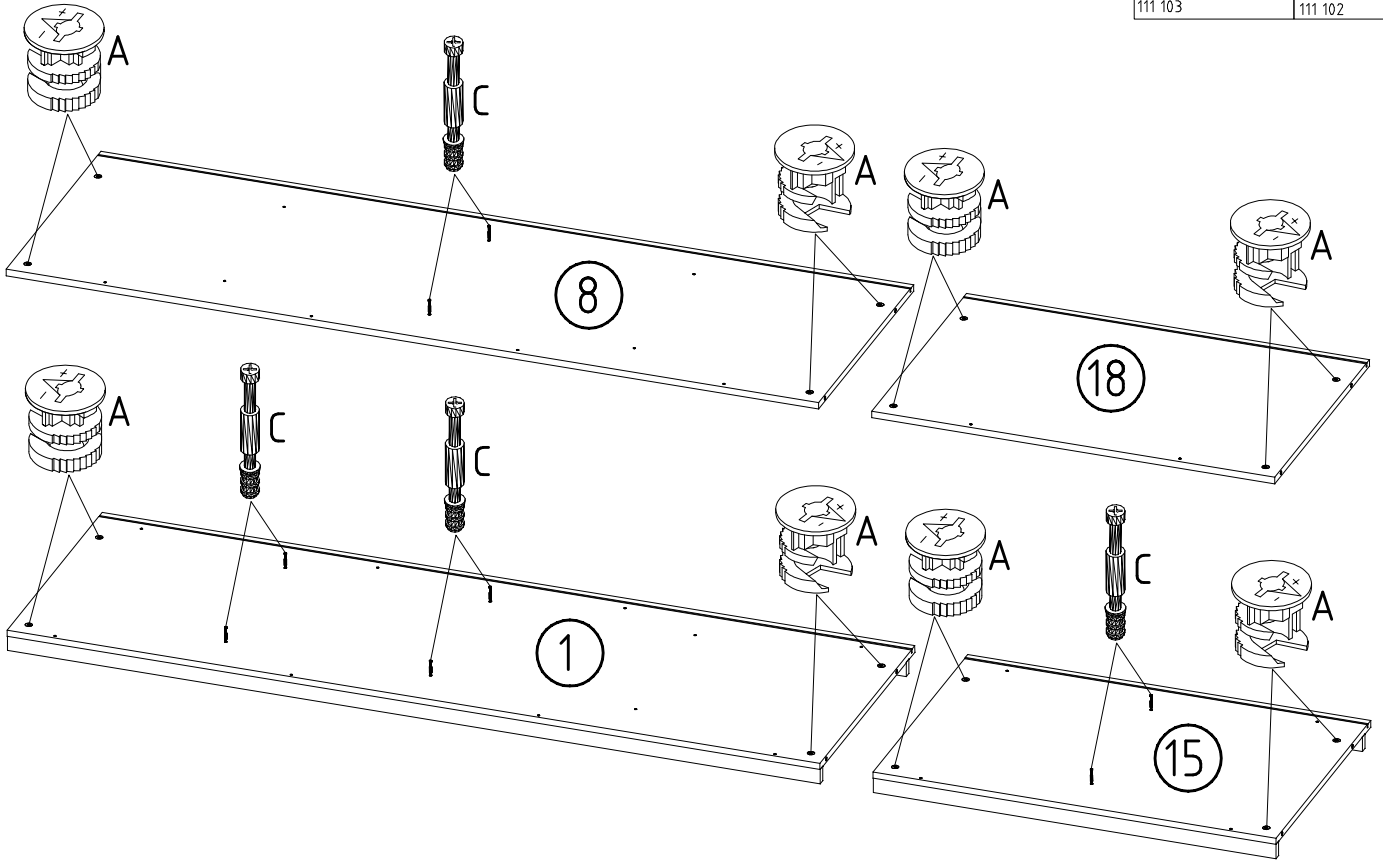
12

3,5 x 35 mm G14
121 375



13

111 103 C 111 102 A



3,5 x 22 mm

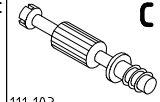
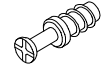
G24

SWH-SKL

SWH-SKR

F

C

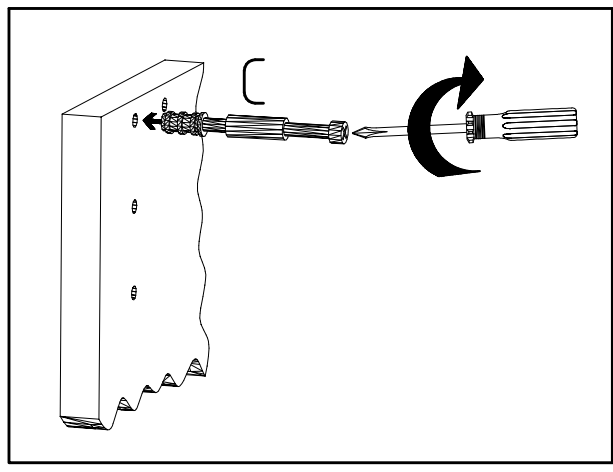


121 004

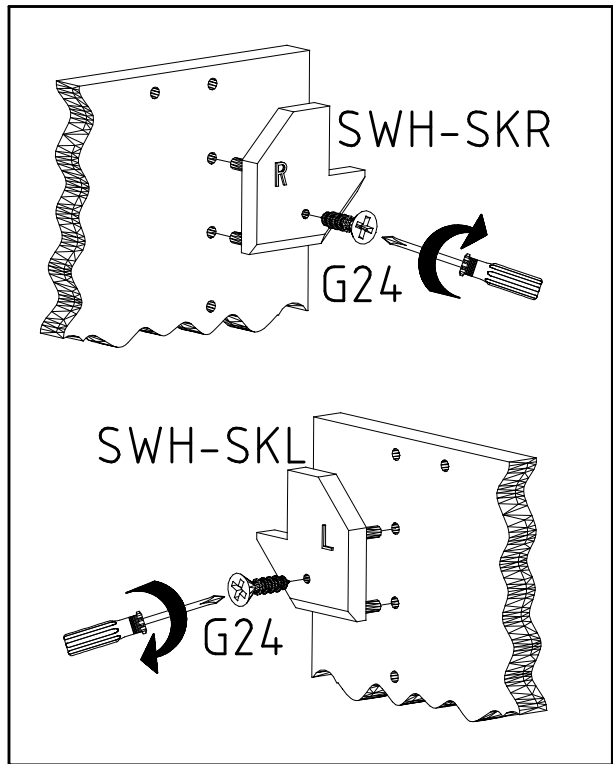
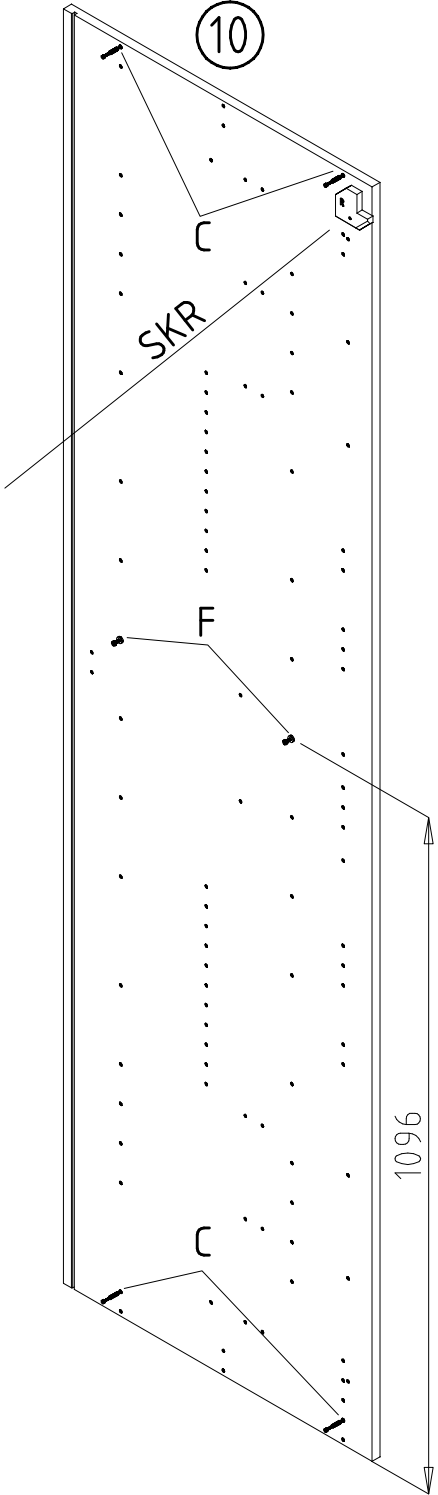
111 229

111 103

9

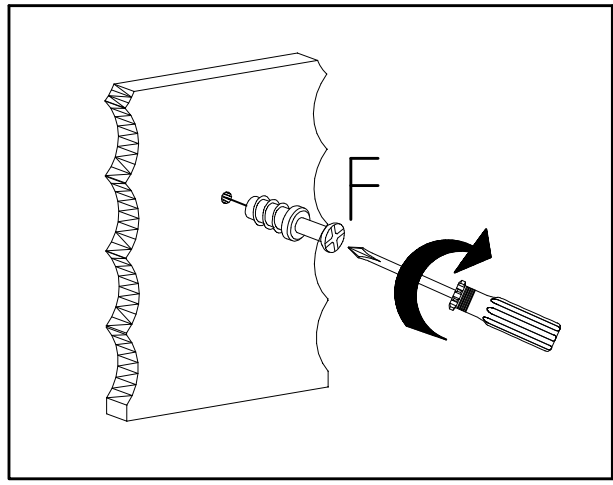


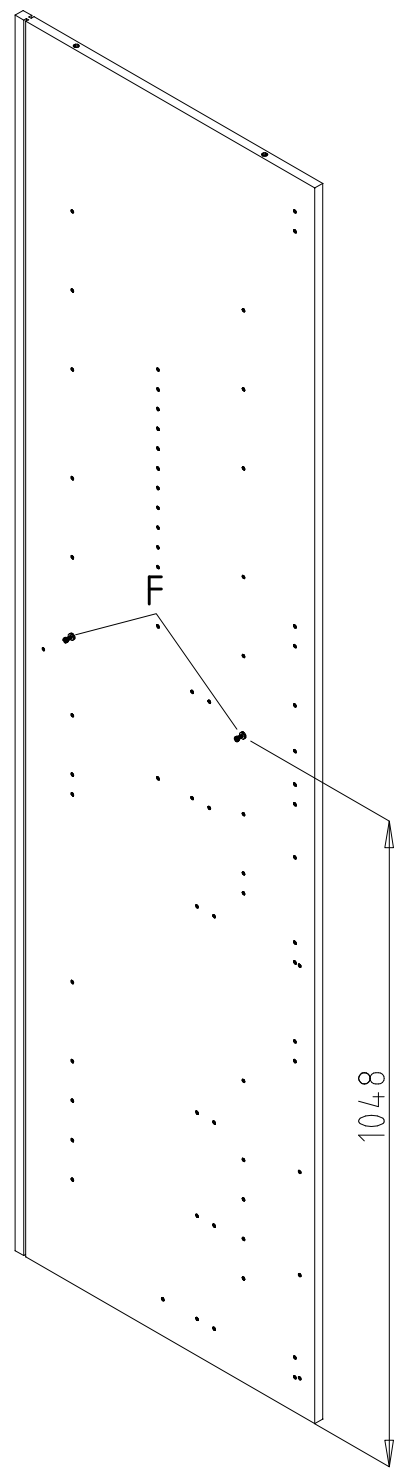
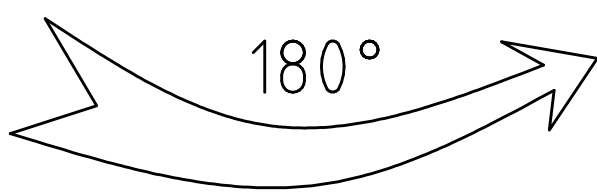
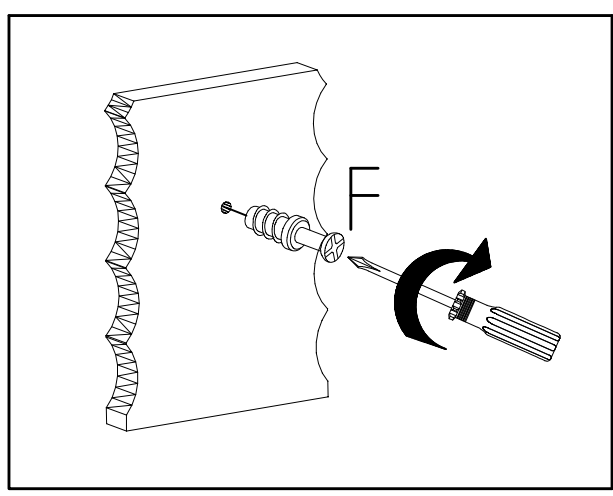
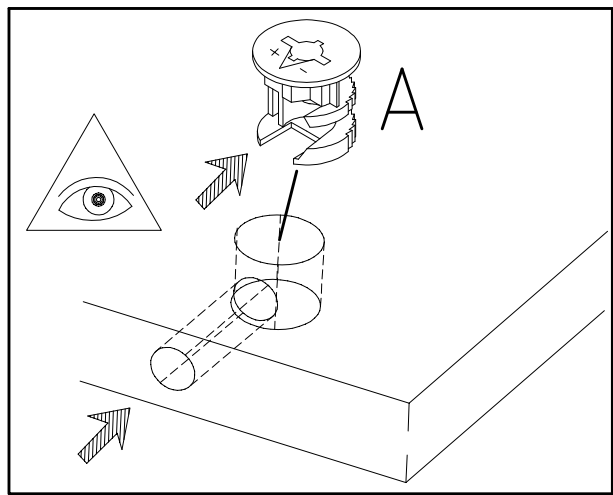
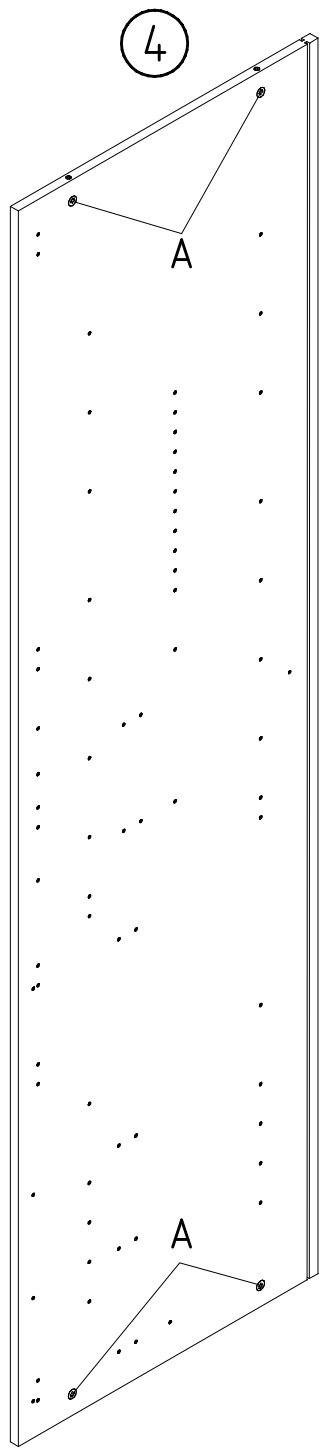
10

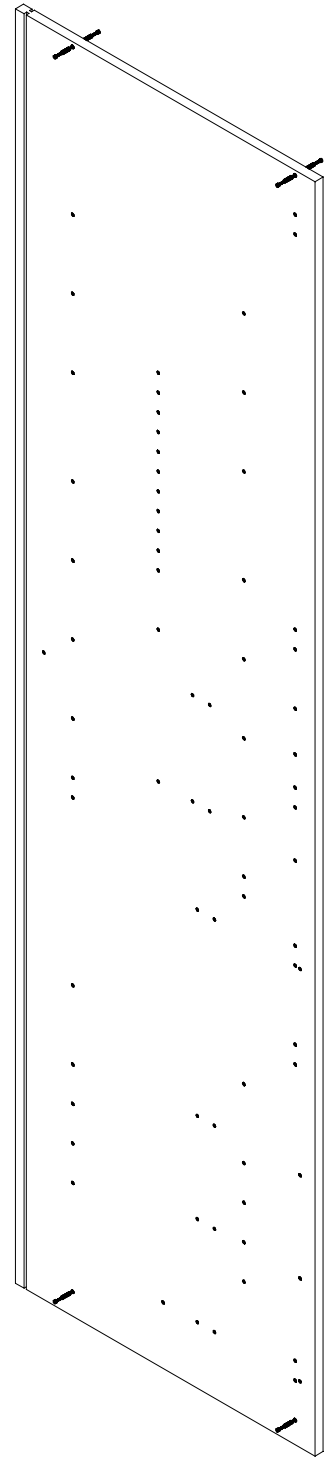
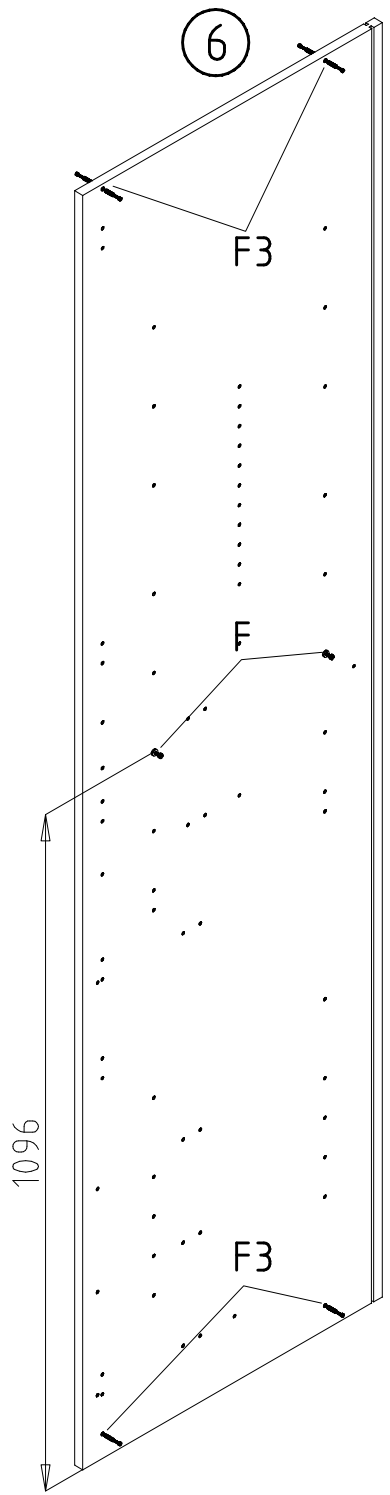
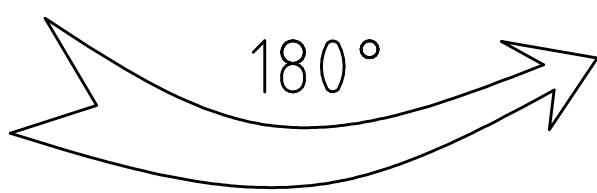
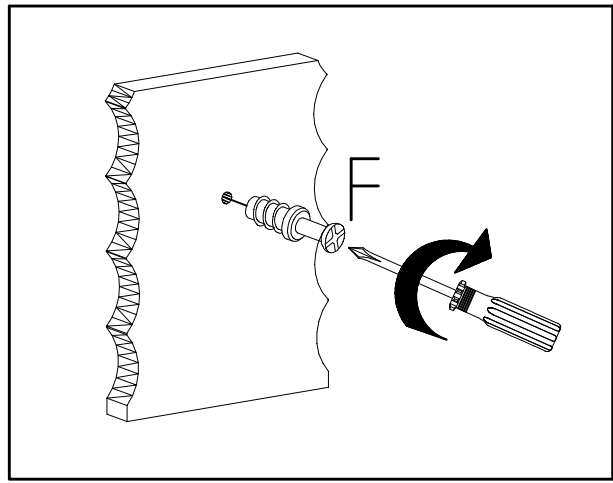
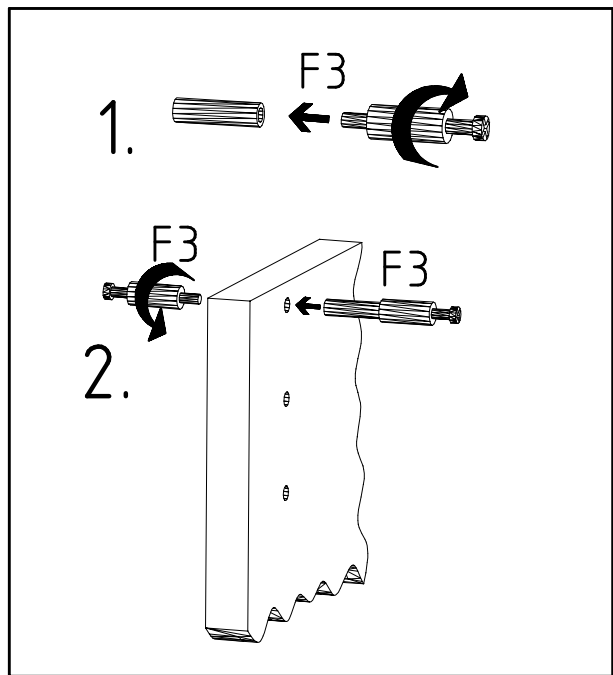
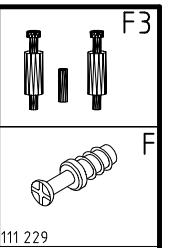


1096

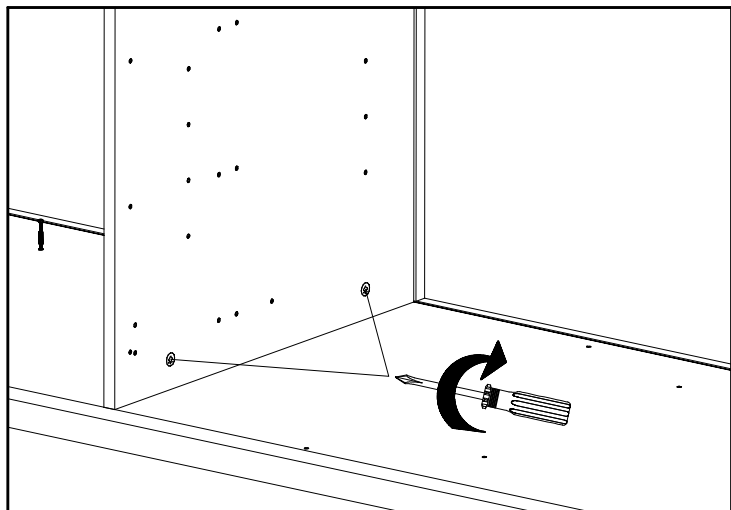
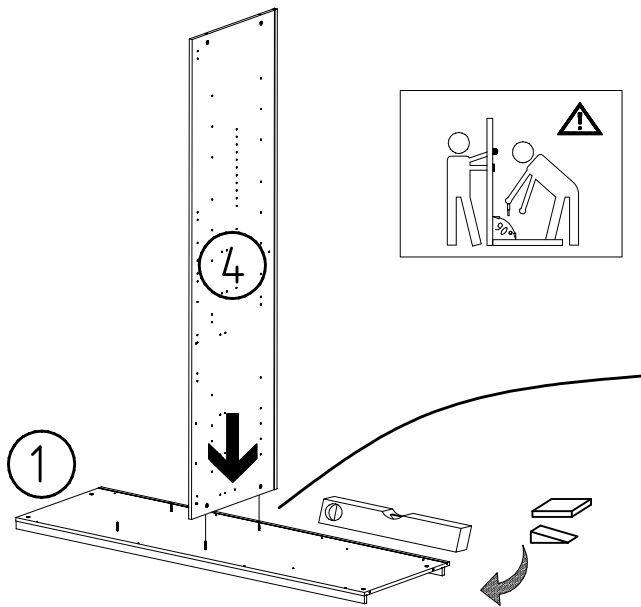
1096



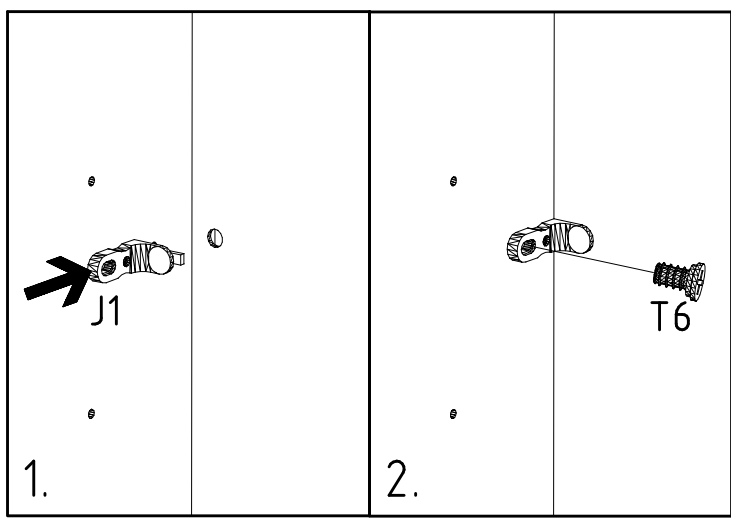
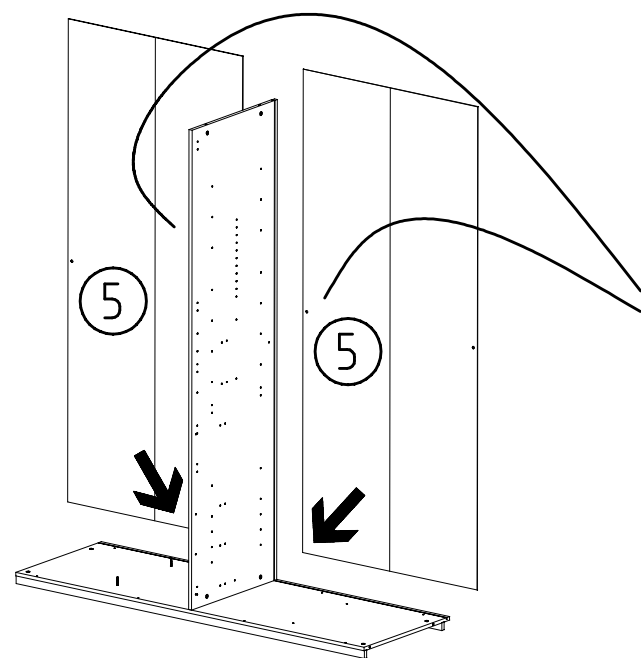
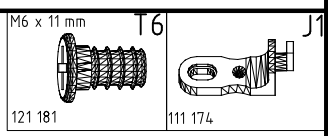




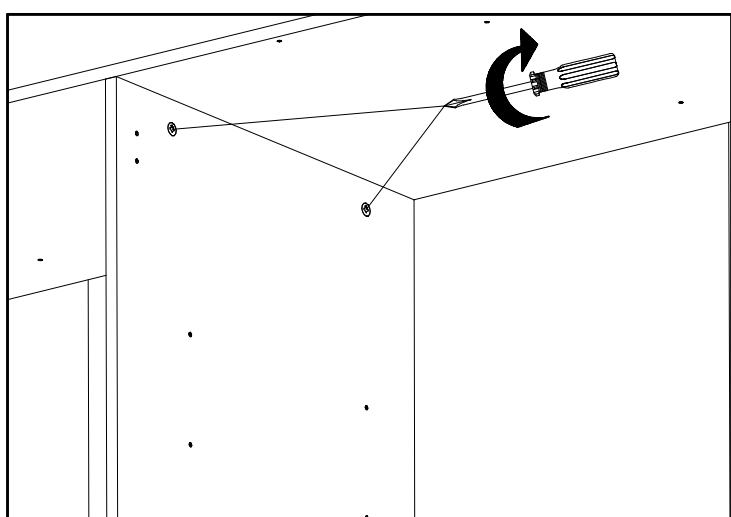
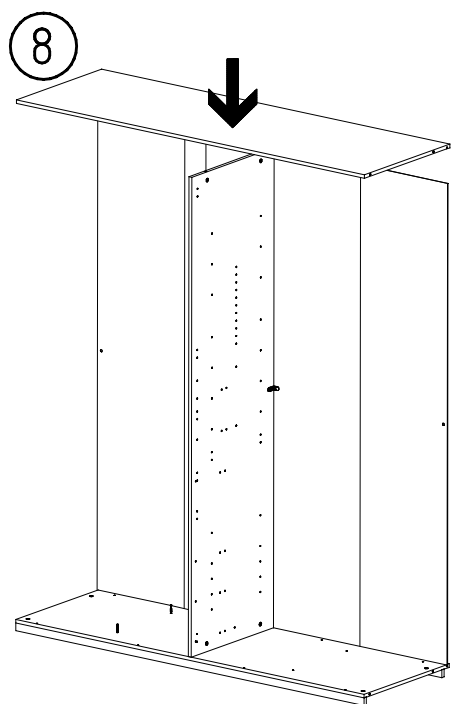
17



18



19

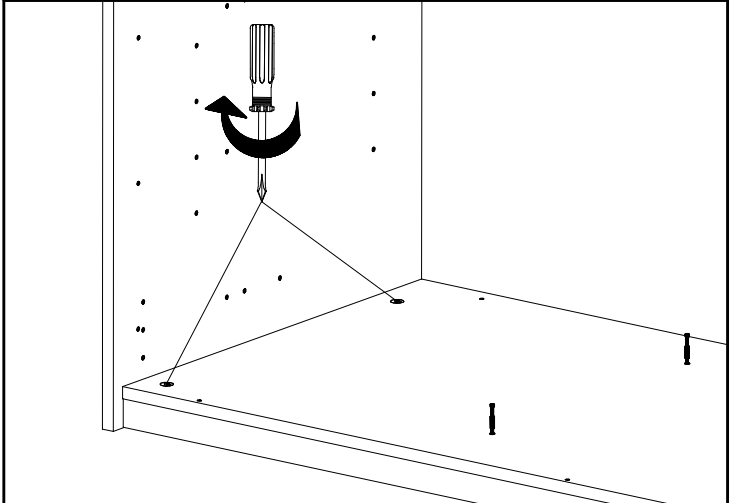
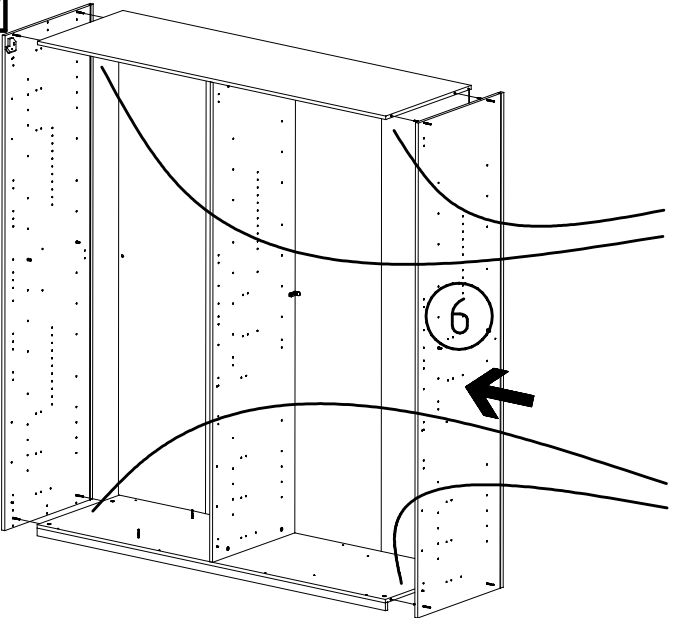


20

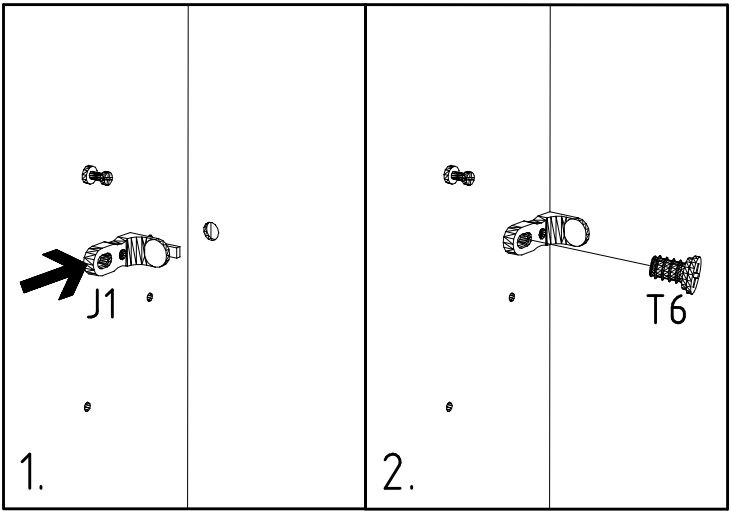
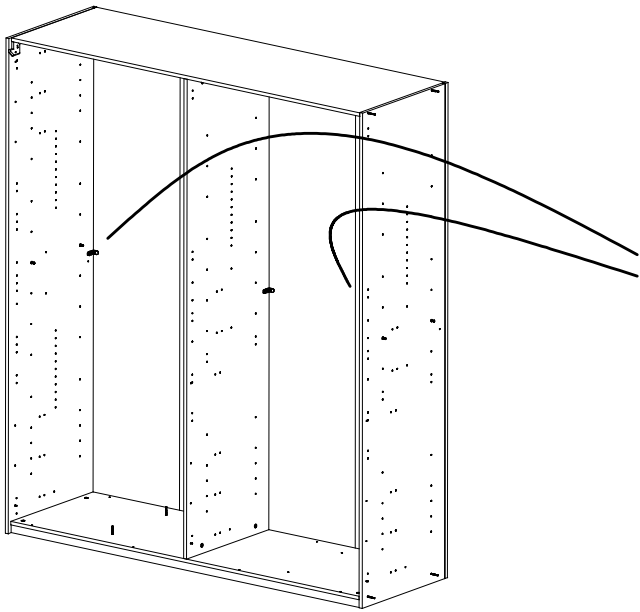
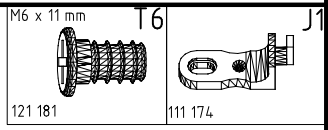
9



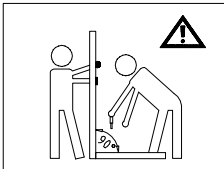
6



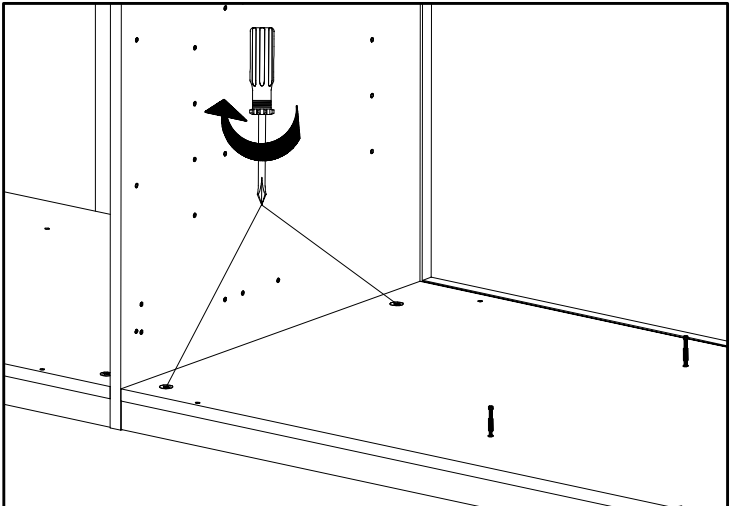
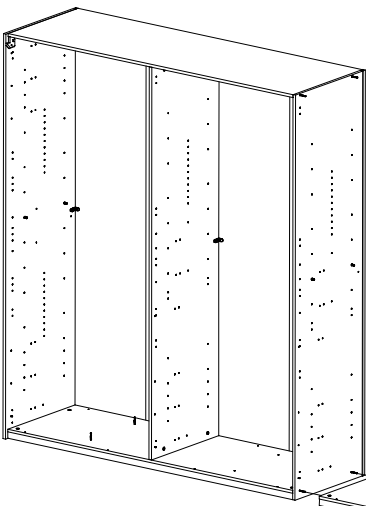
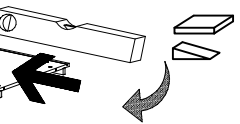
21



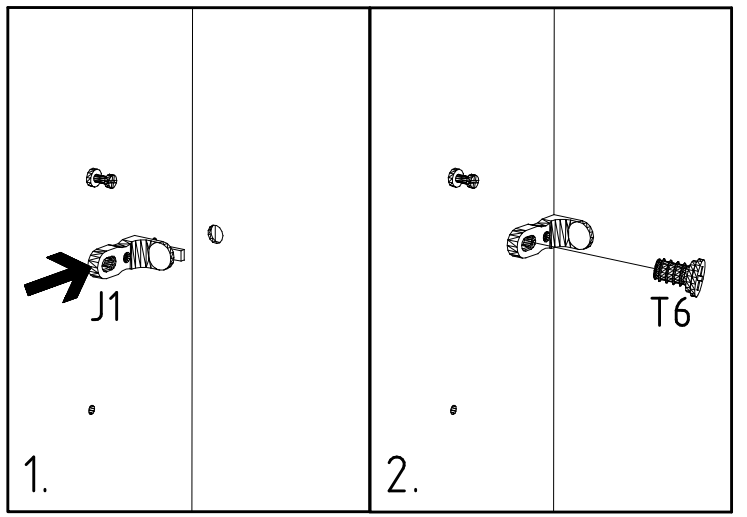
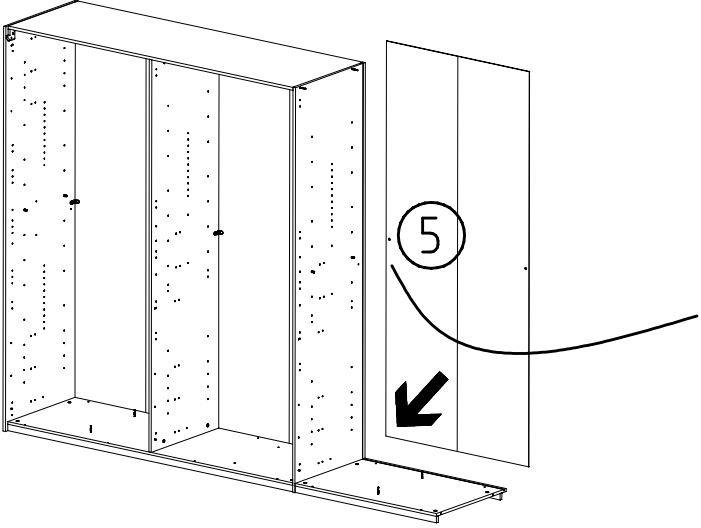
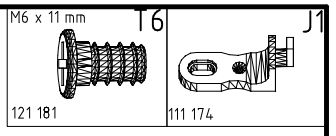
22



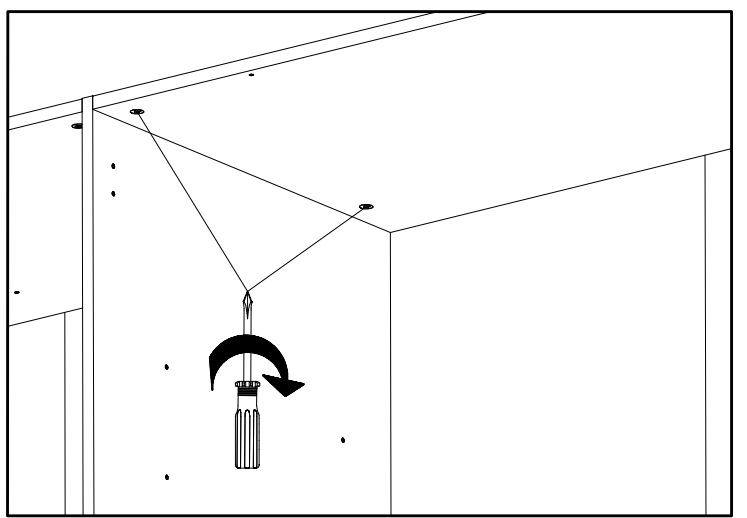
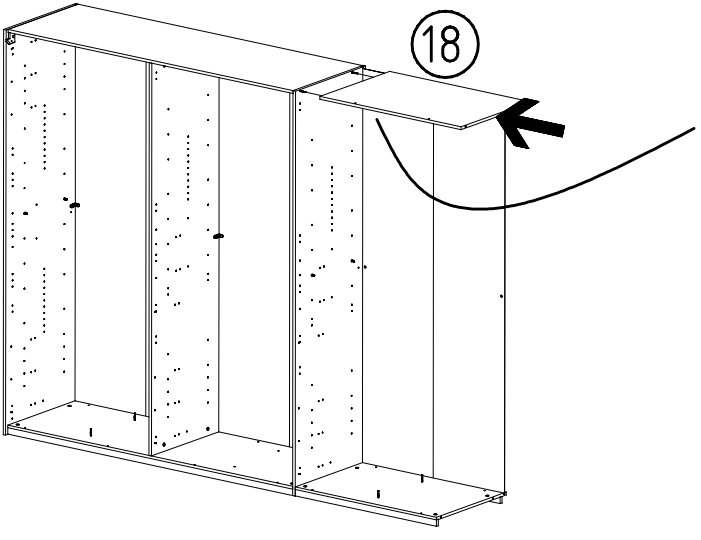
15



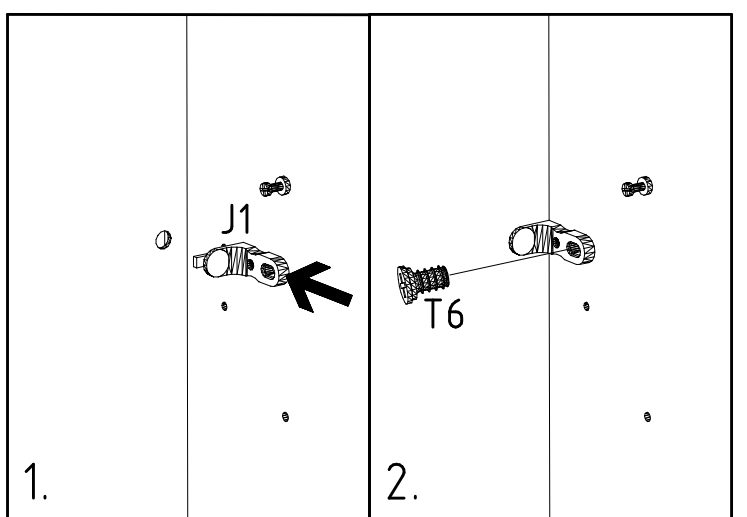
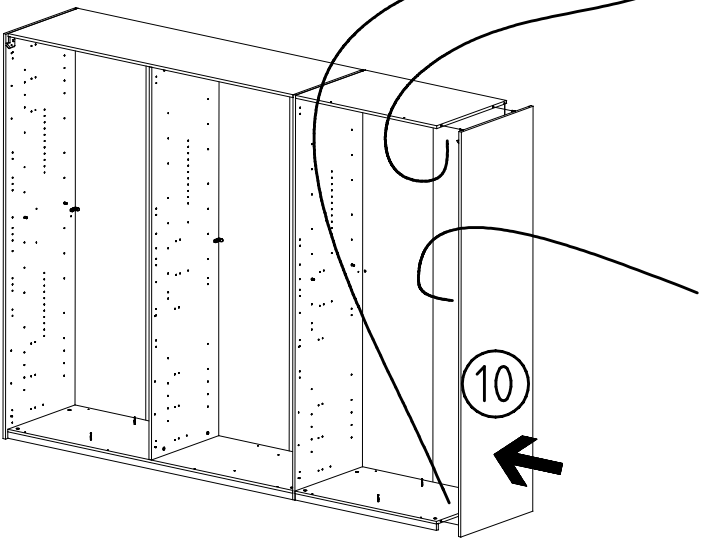
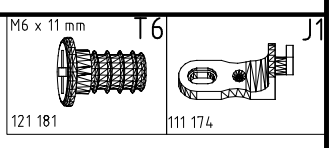
23



24

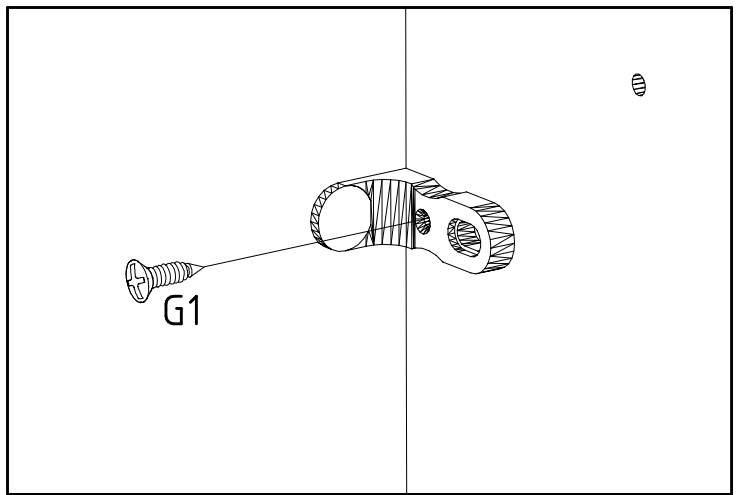
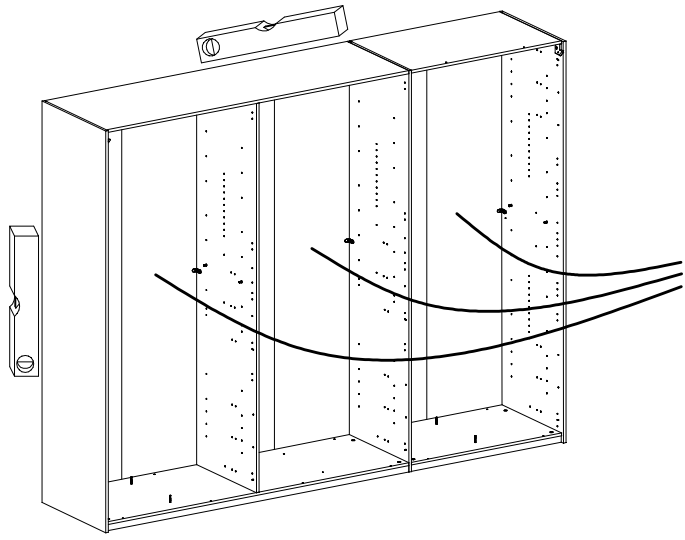


25



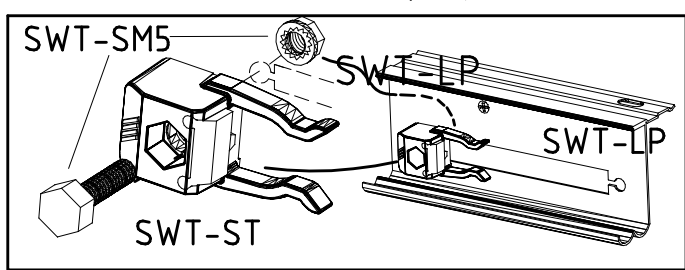
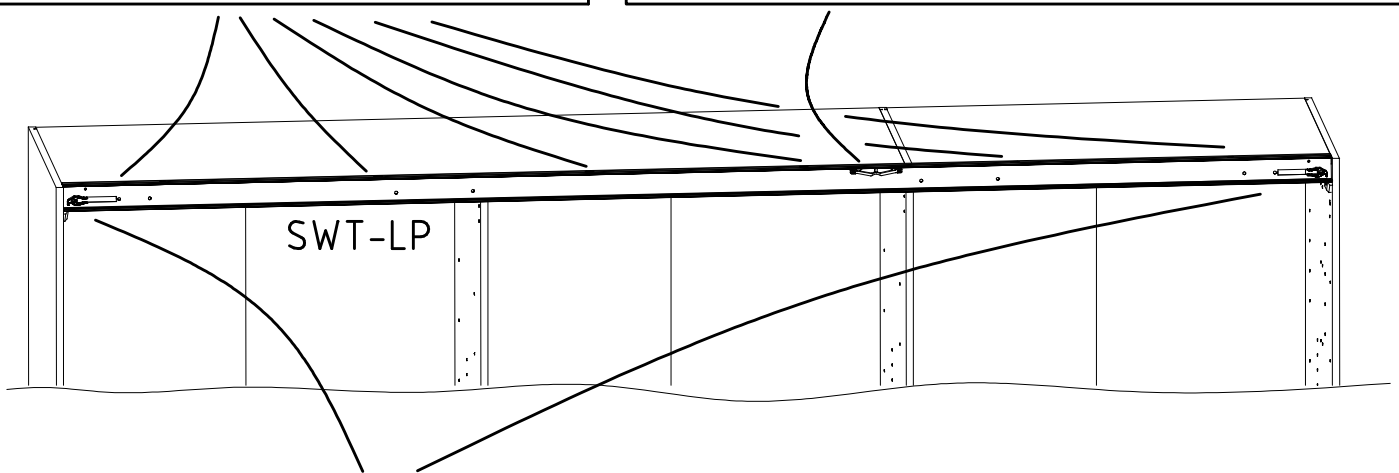
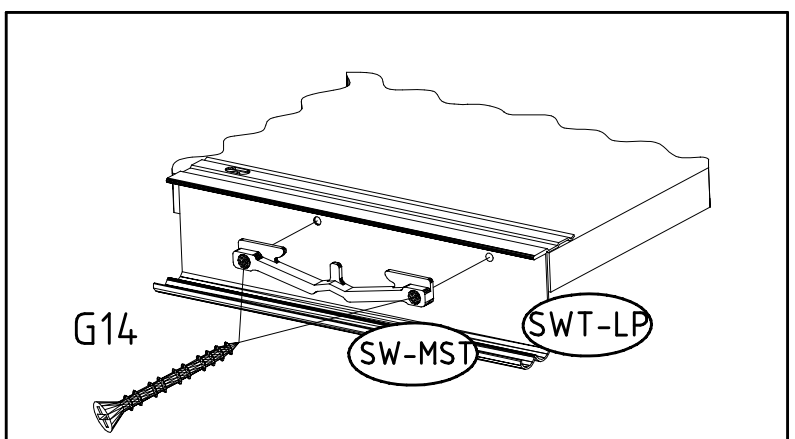
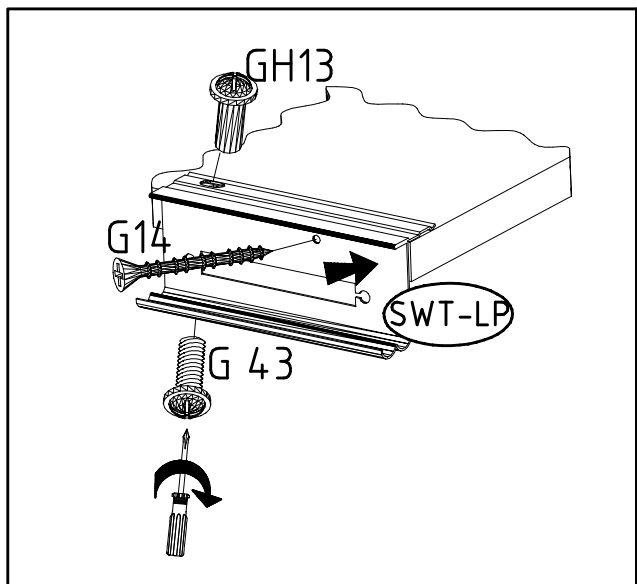
26

3,5 x 15 mm G1
121 370

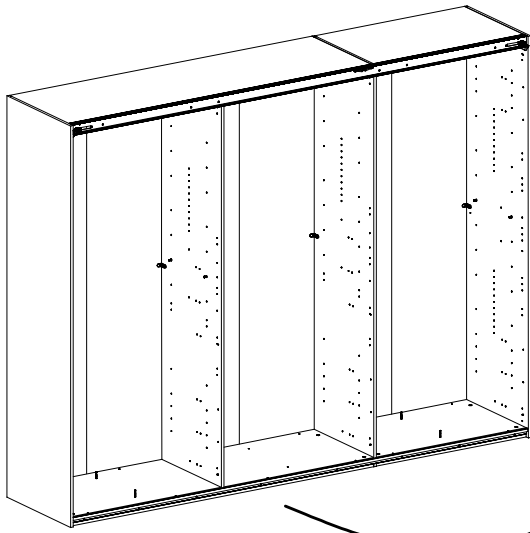


27

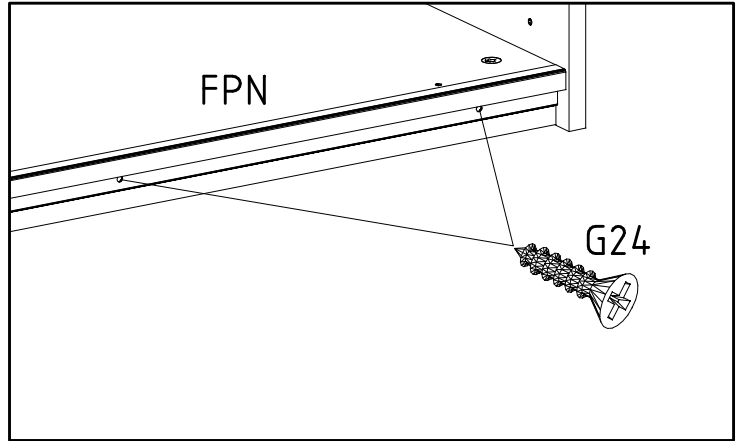
SWT-SM5 3,5 x 35 mm	G14 M4 x 13 mm	GH13 M4 x 10 mm
121 375	121 xxx	121 xxx
		G43



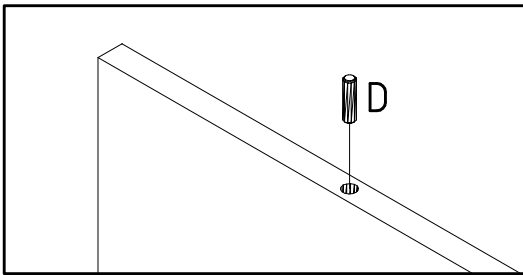
28



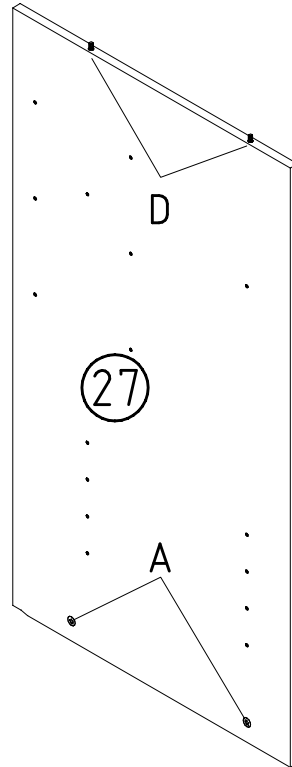
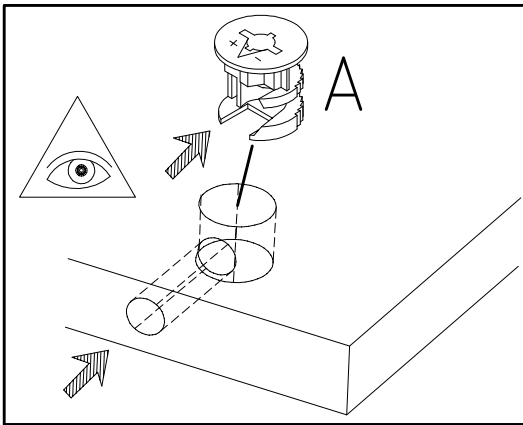
3,5 x 22 mm G24
121 004



29

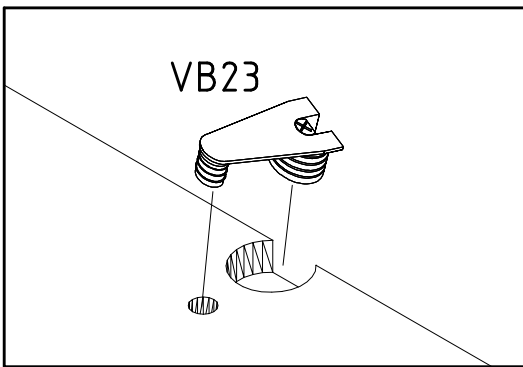


D A
353 018 Ø8 x 30 111 102

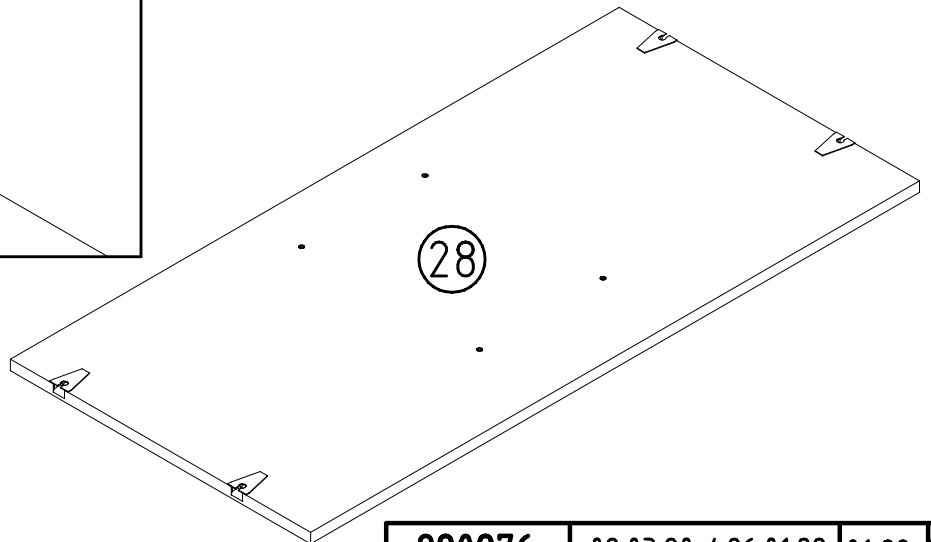


2 x

30

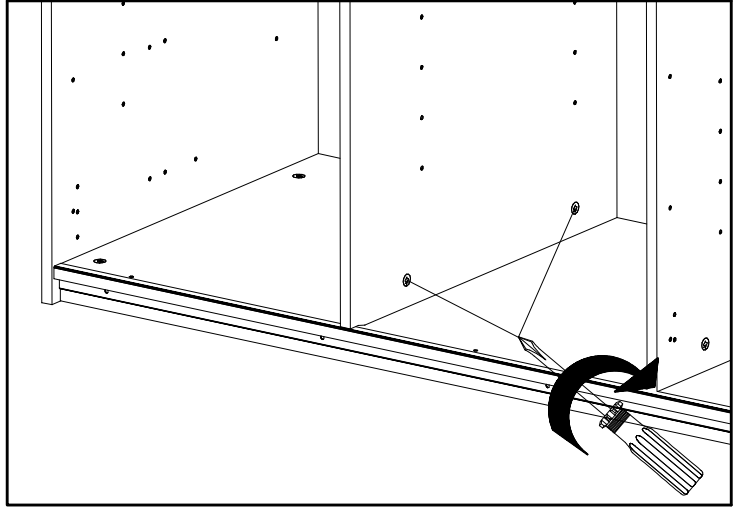
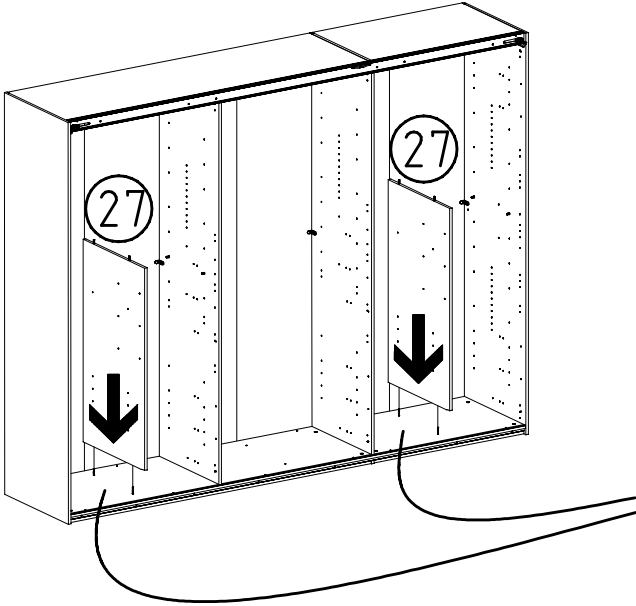


VB23
111 252

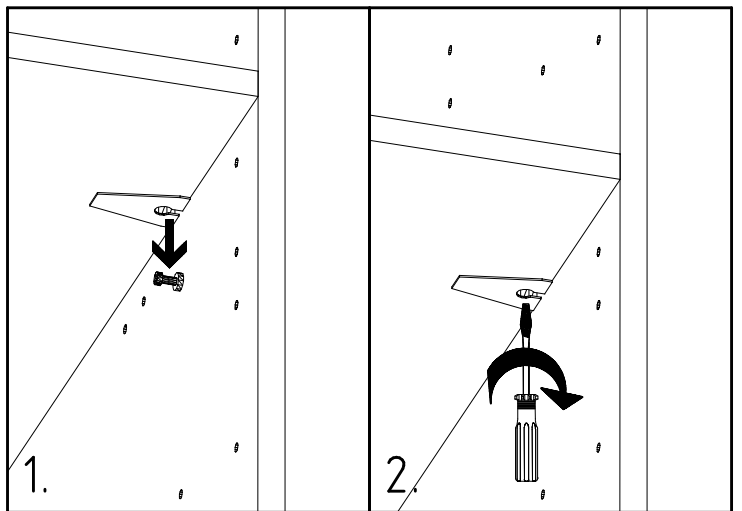
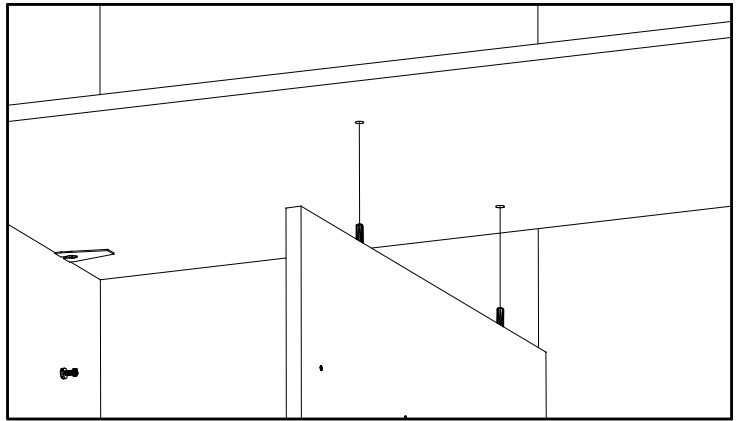
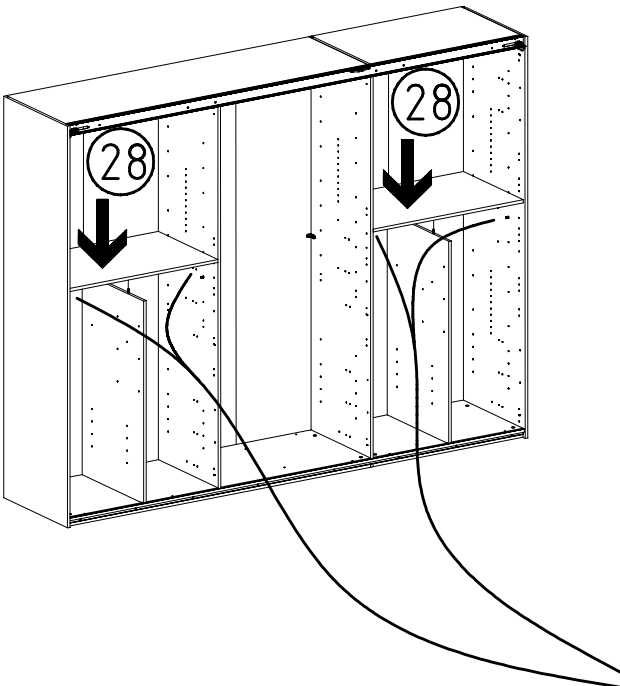


2 x

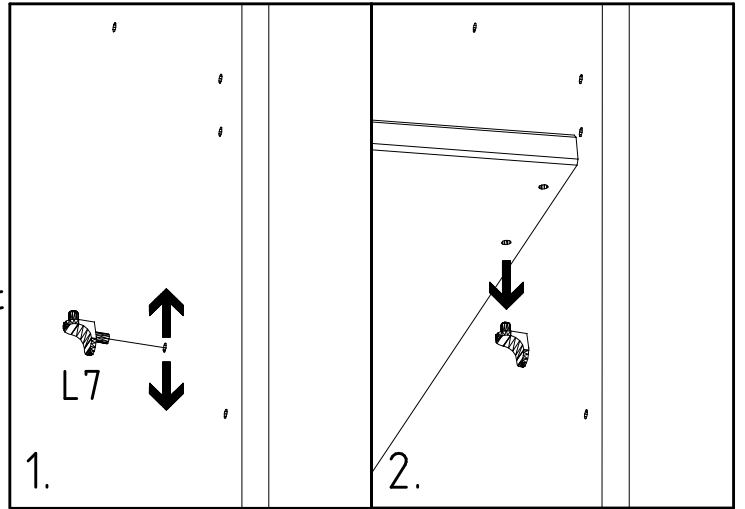
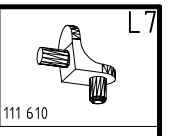
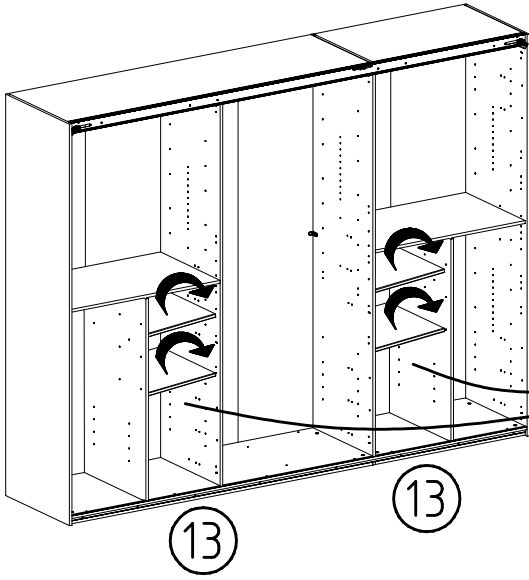
31



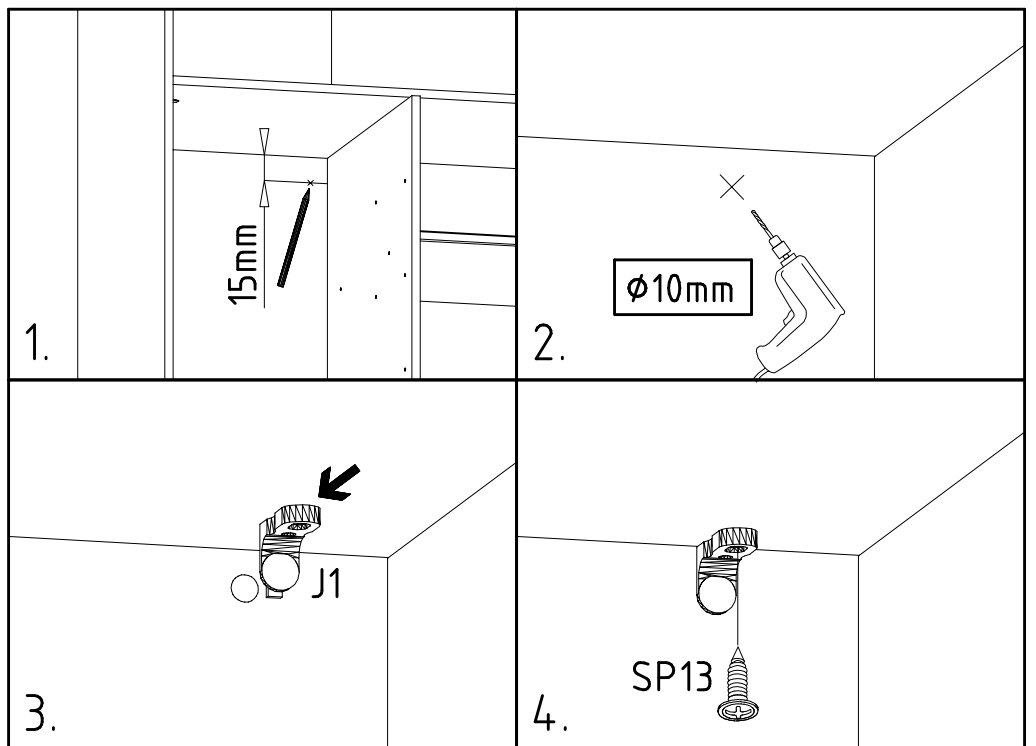
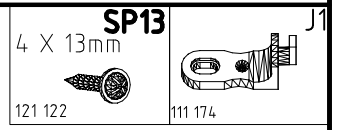
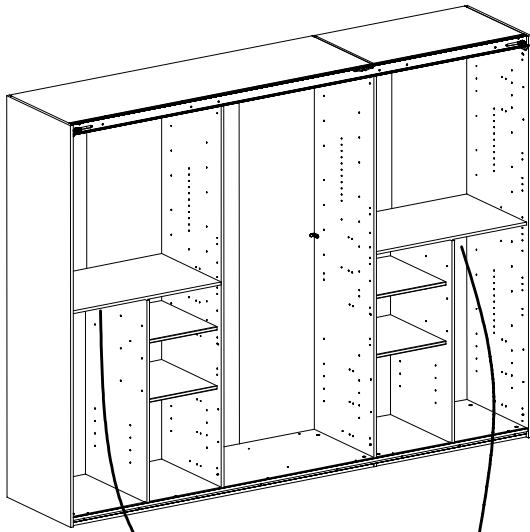
32



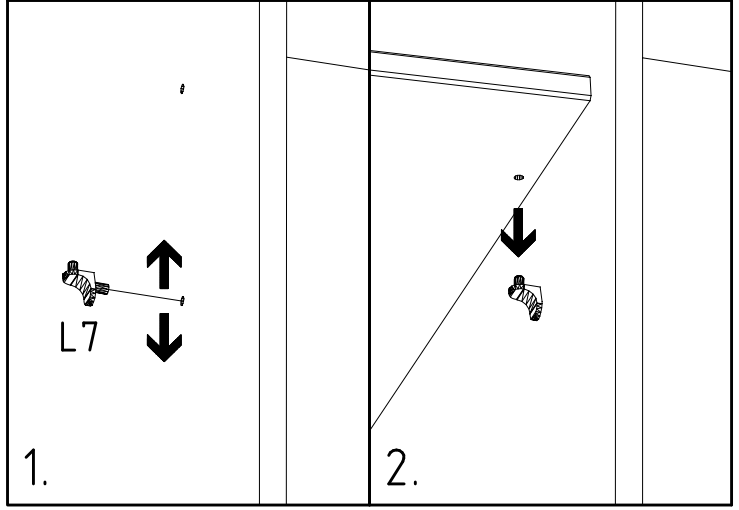
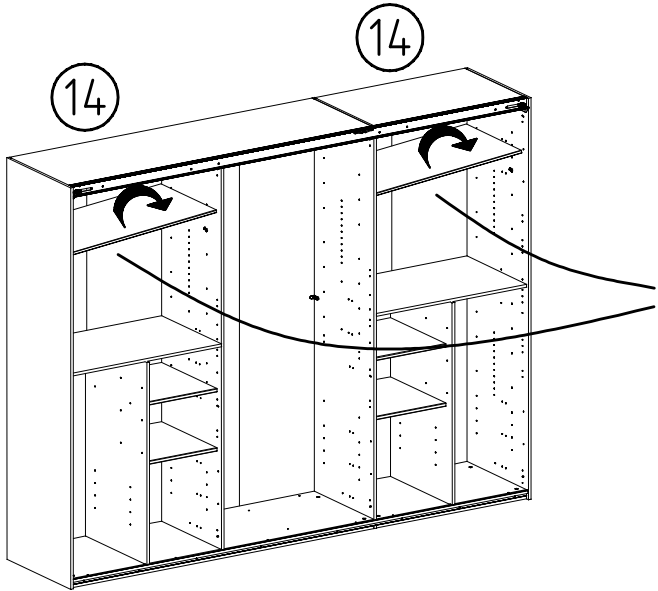
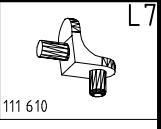
33



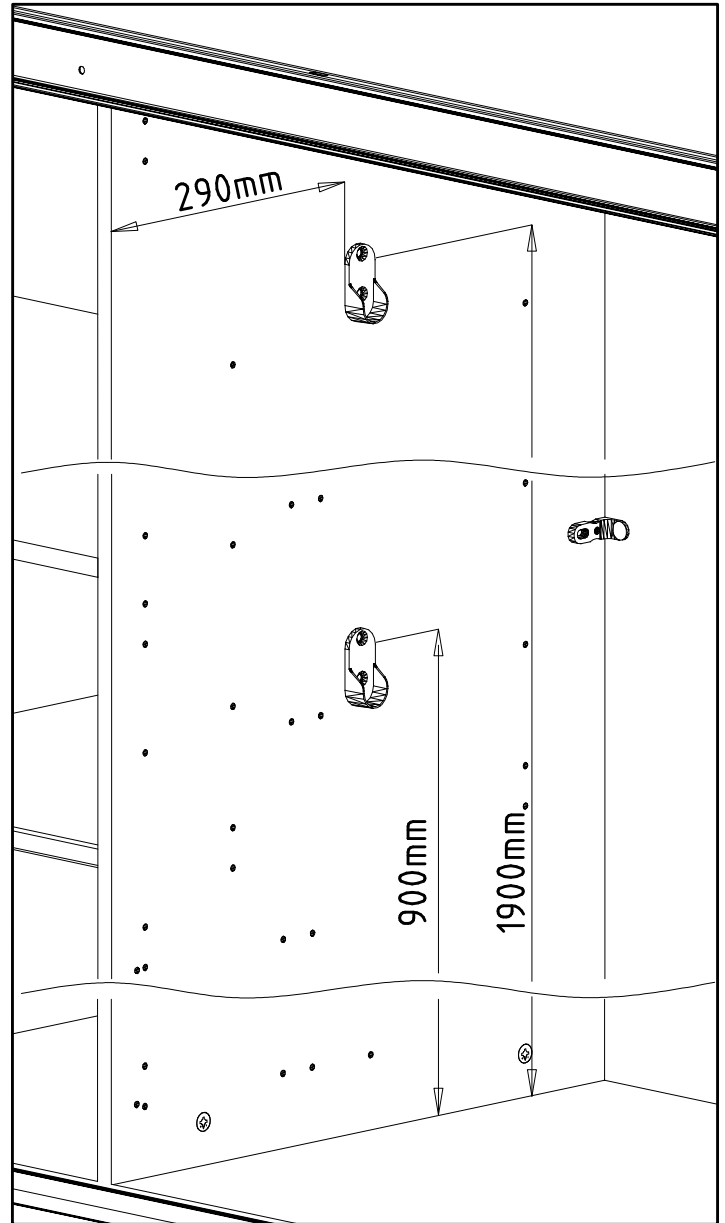
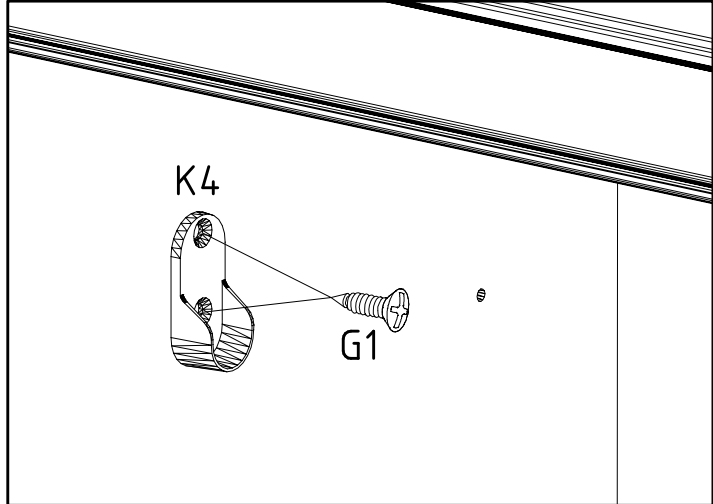
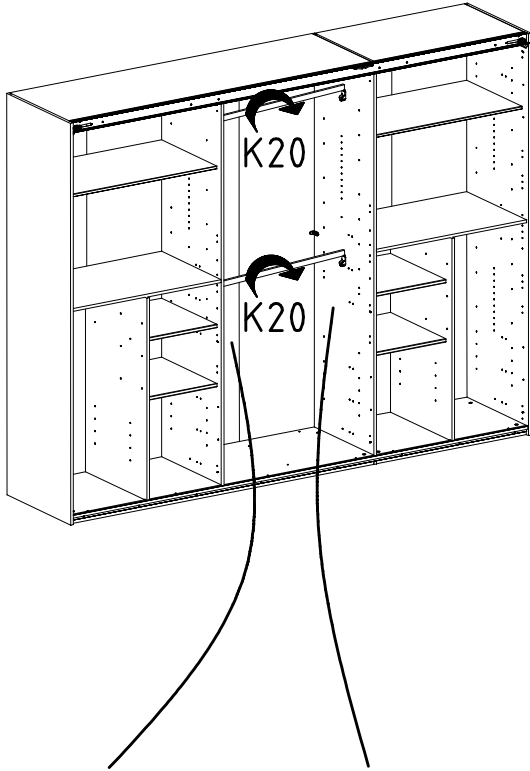
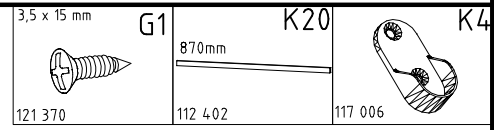
34

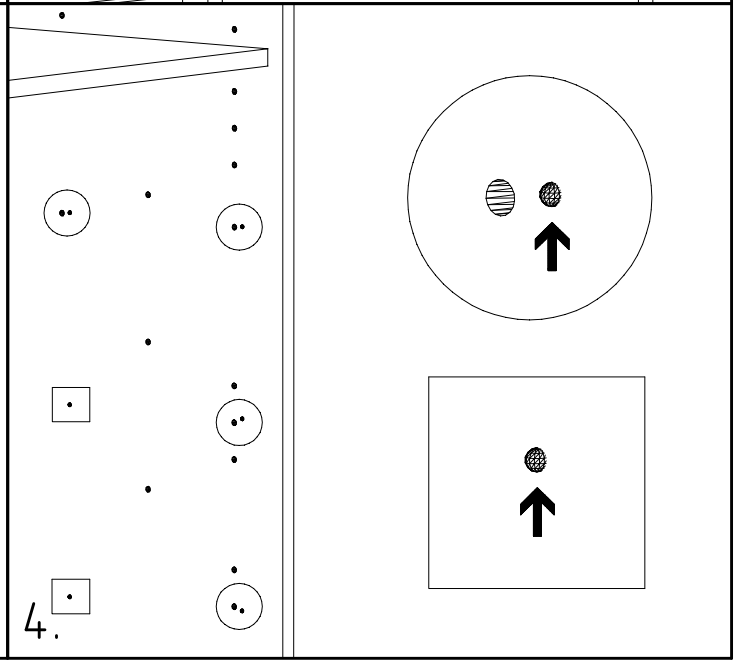
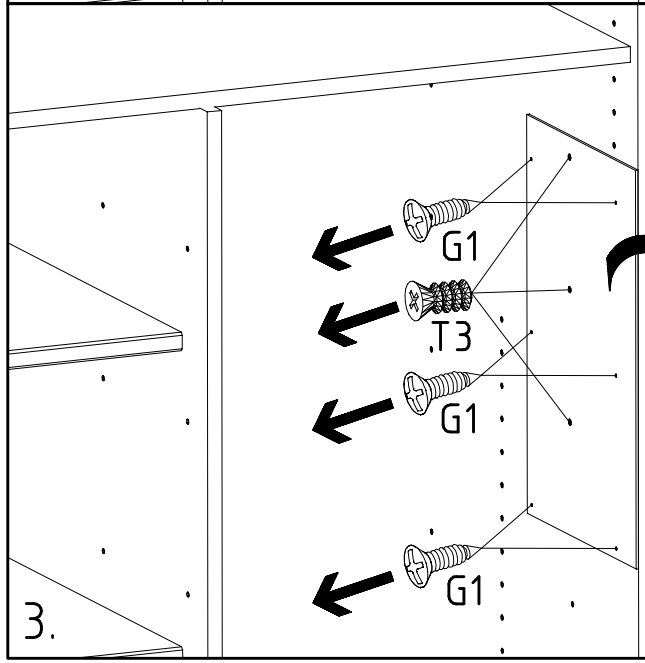
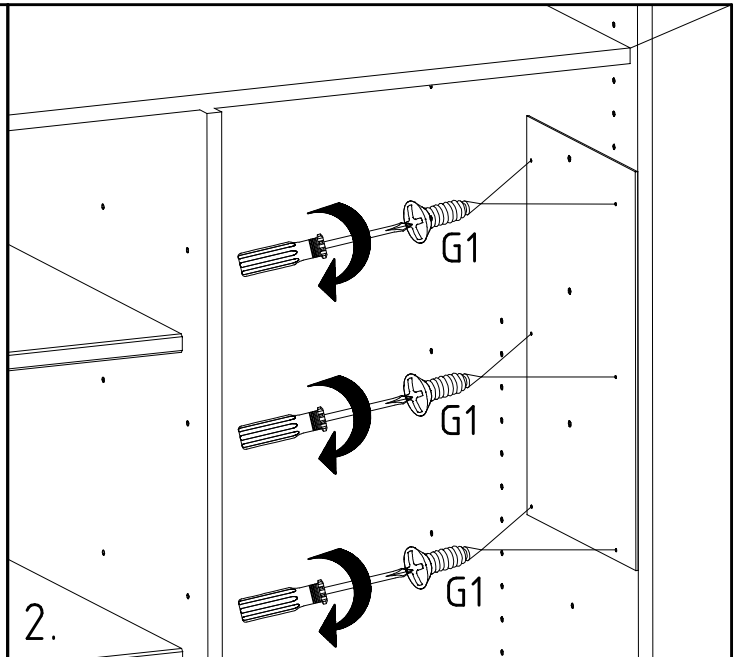
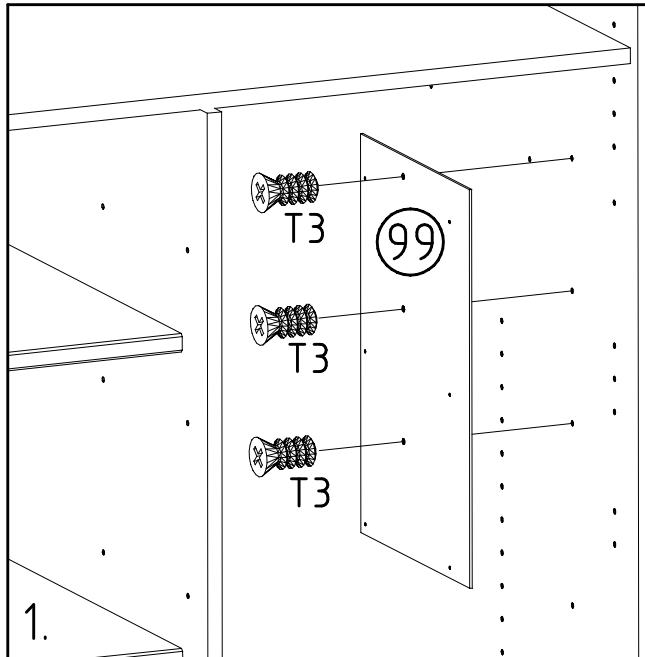
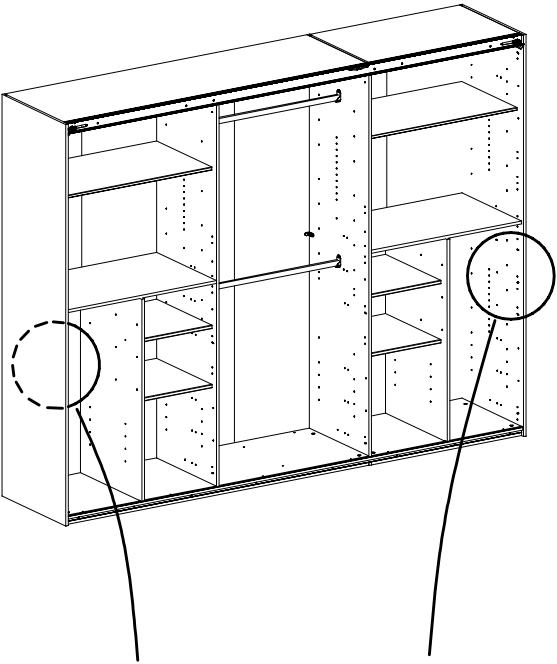


35



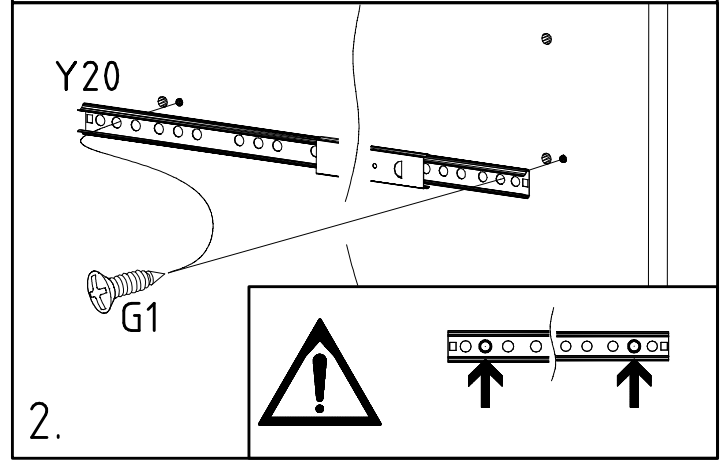
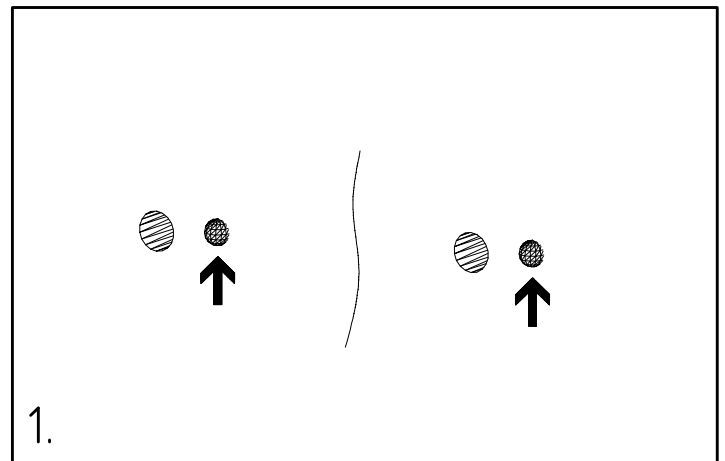
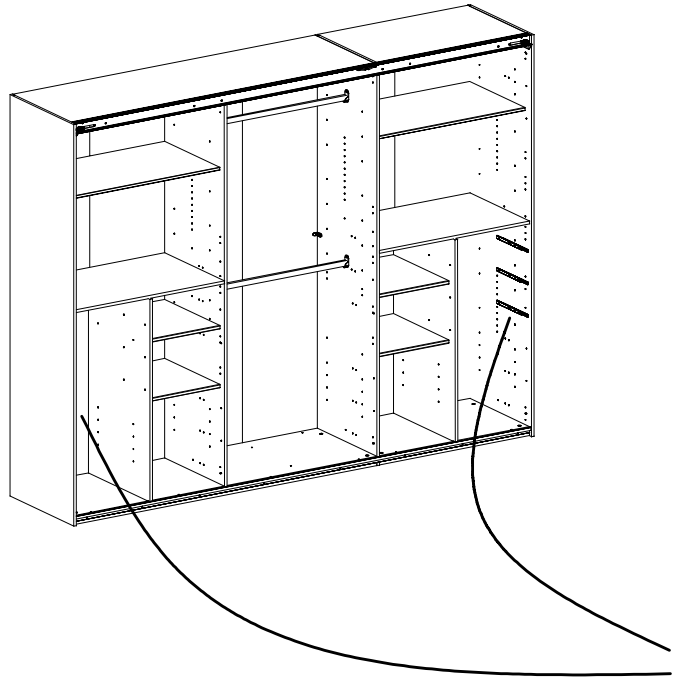
36





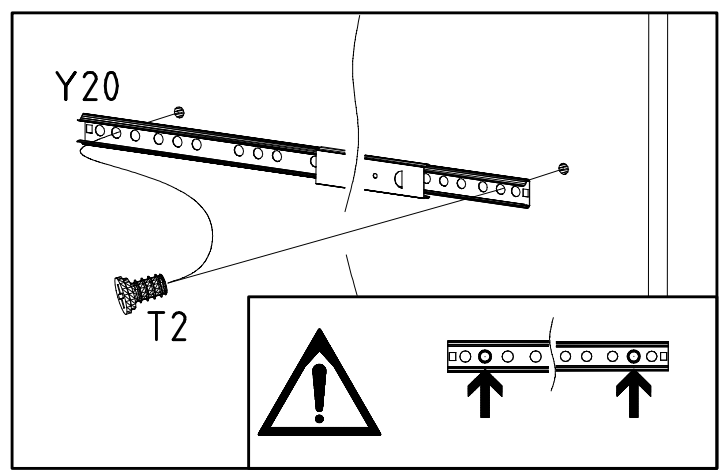
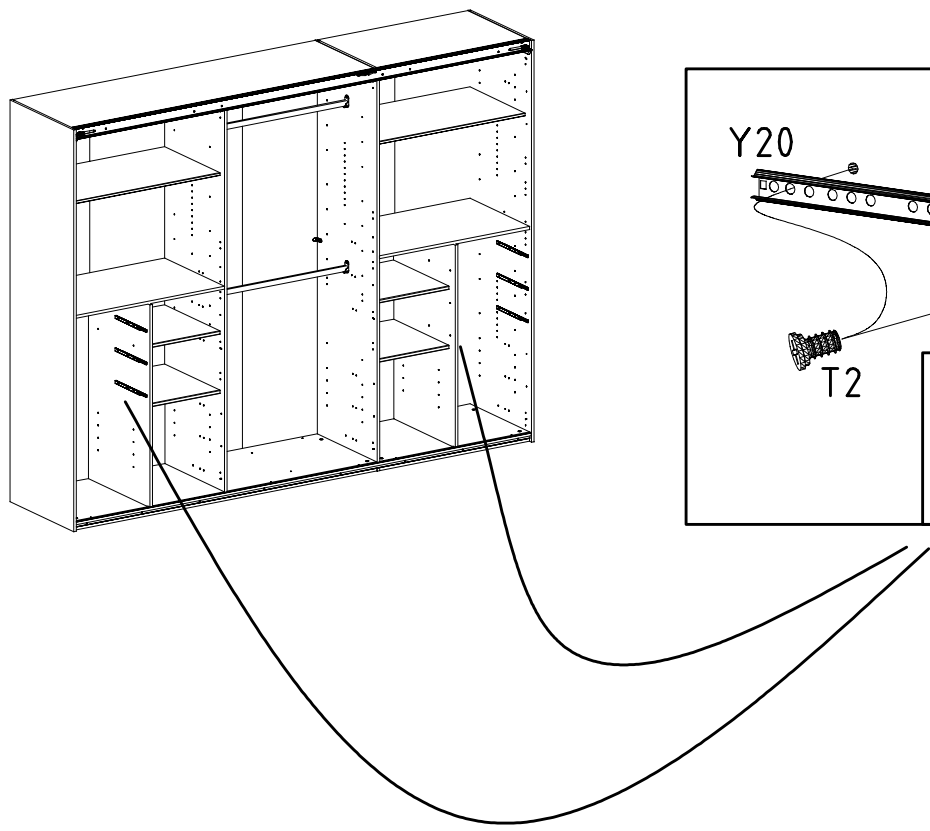
38

3,5 x 15 mm G1
121 370
Y20
112 198

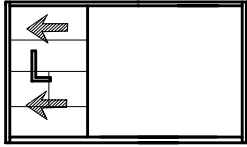
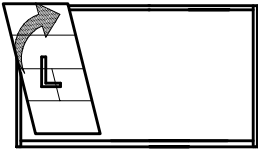


39

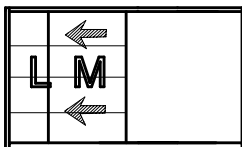
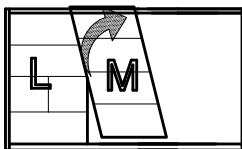
6,3 x 10,5 mm T2
111 030
Y20
112 198



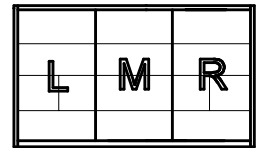
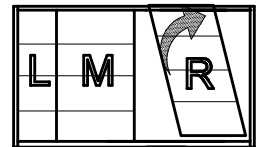
4+0



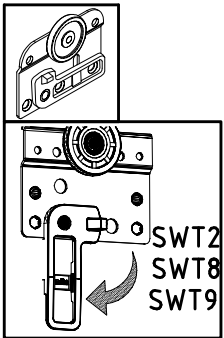
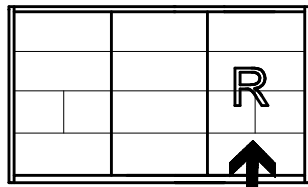
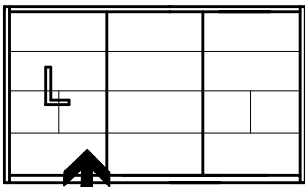
4+1



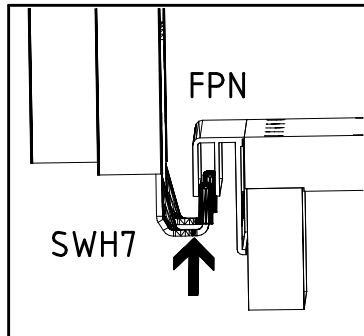
4+2



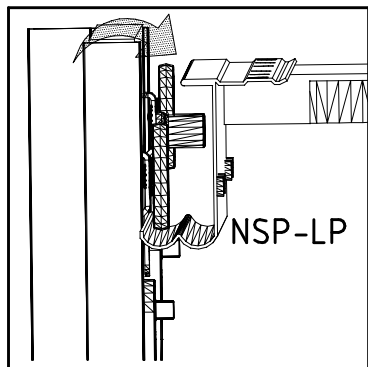
4+0 + 4+2



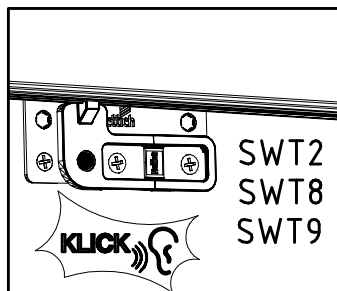
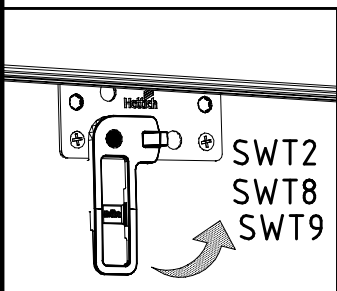
I.



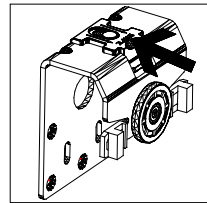
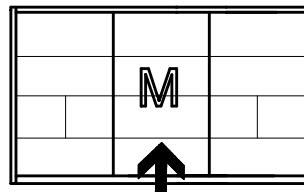
II.



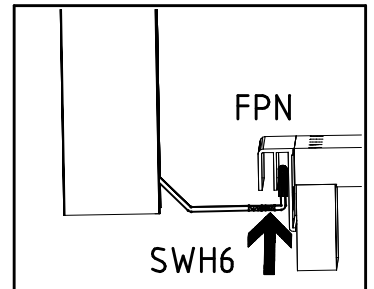
III.



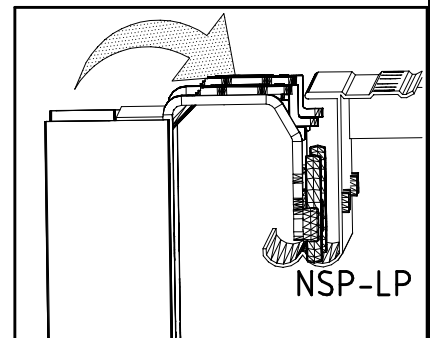
4+1



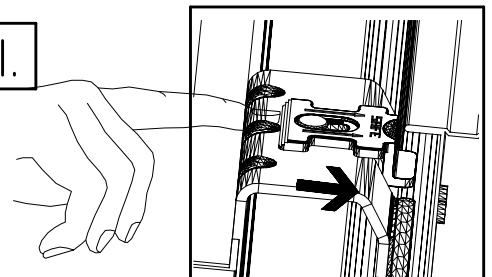
I.



II.

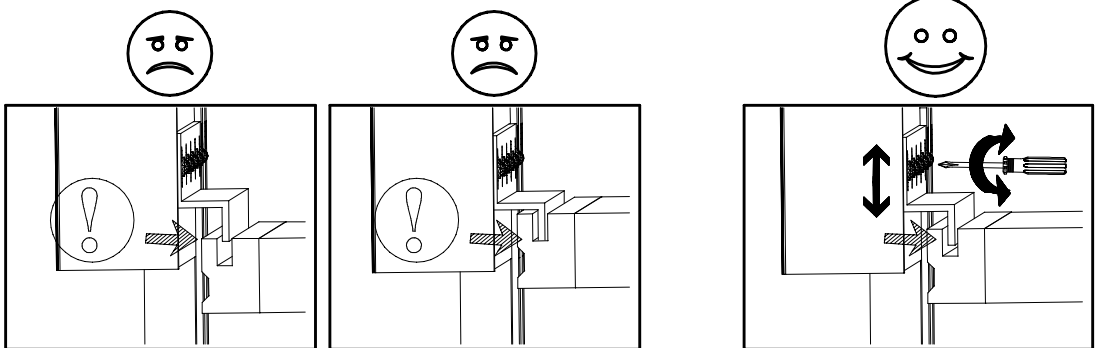
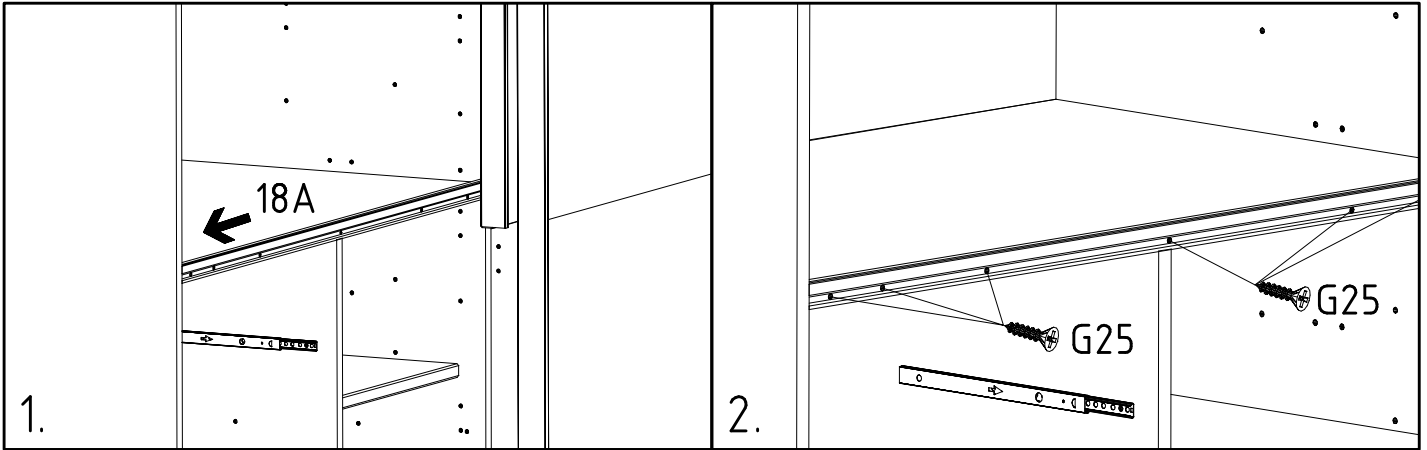
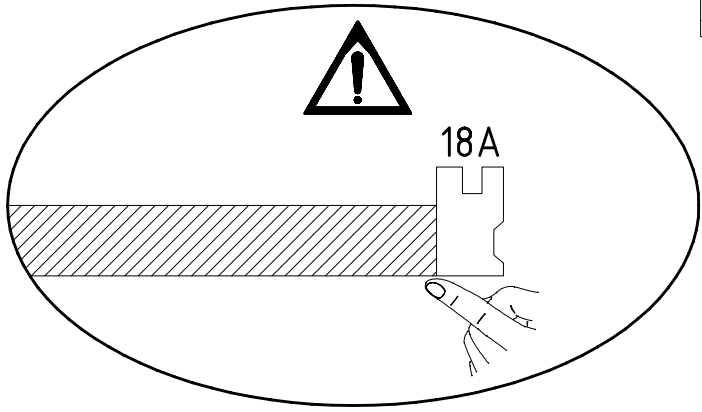
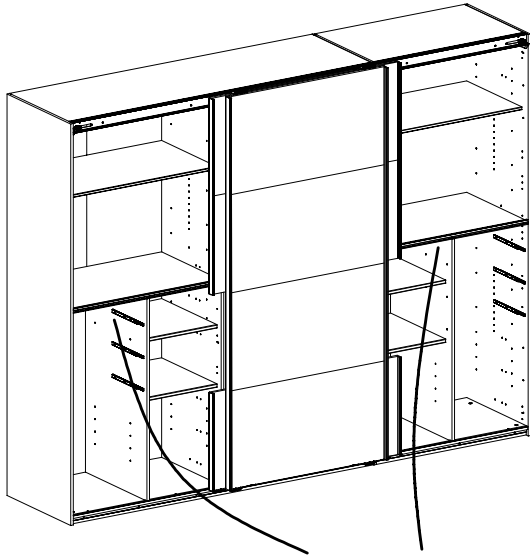


III.

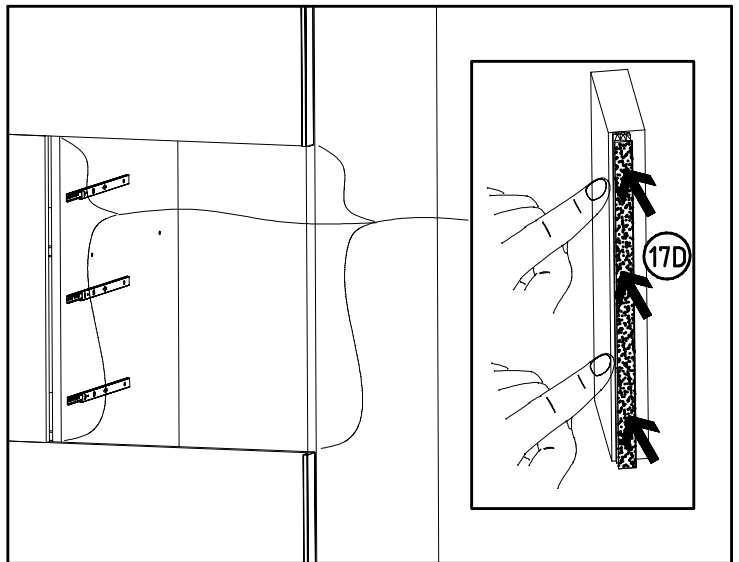
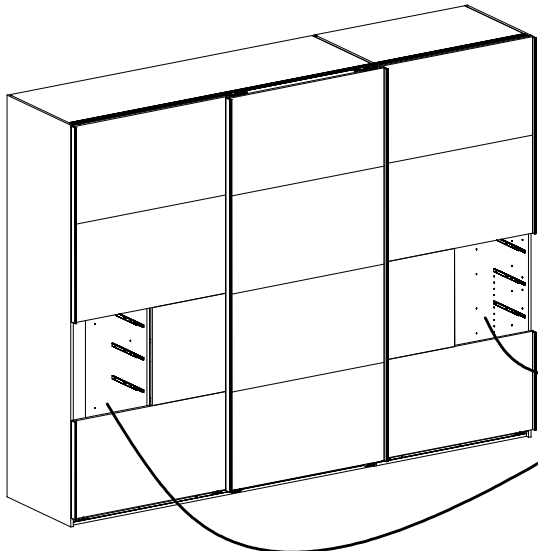


43

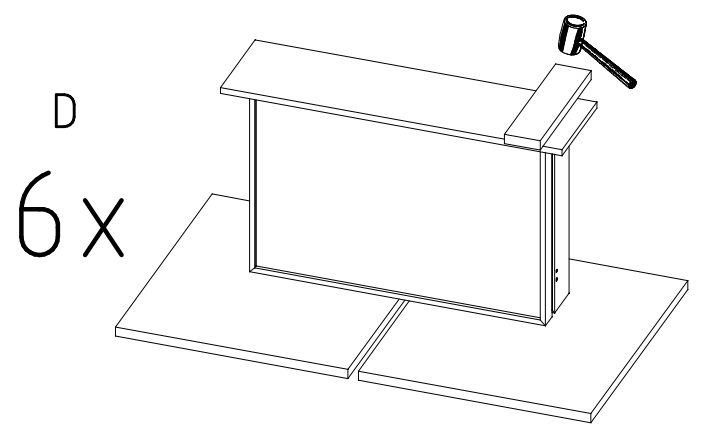
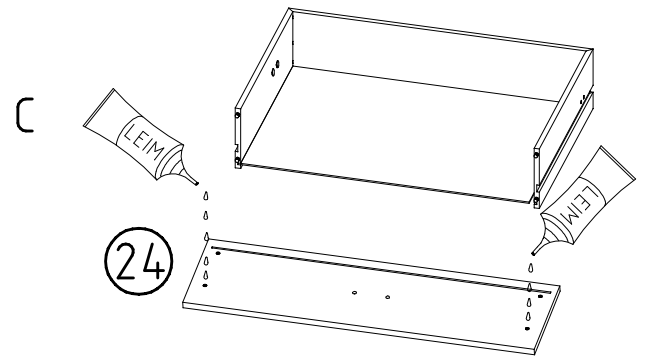
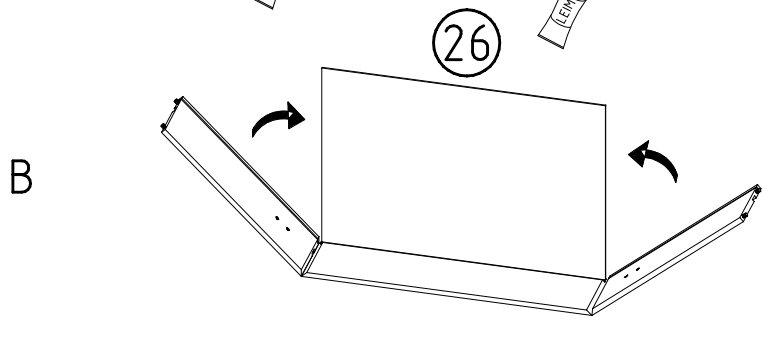
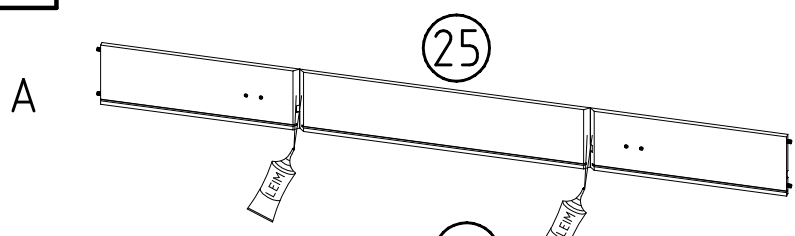
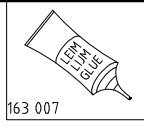
3,5 x 40 mm G25
121 374



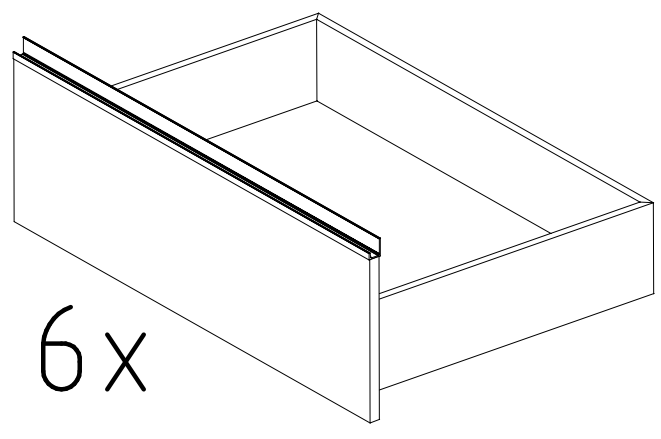
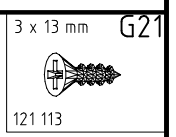
44



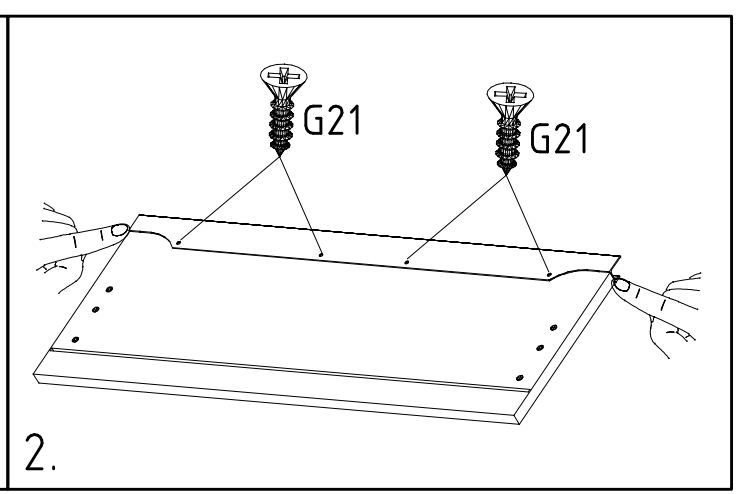
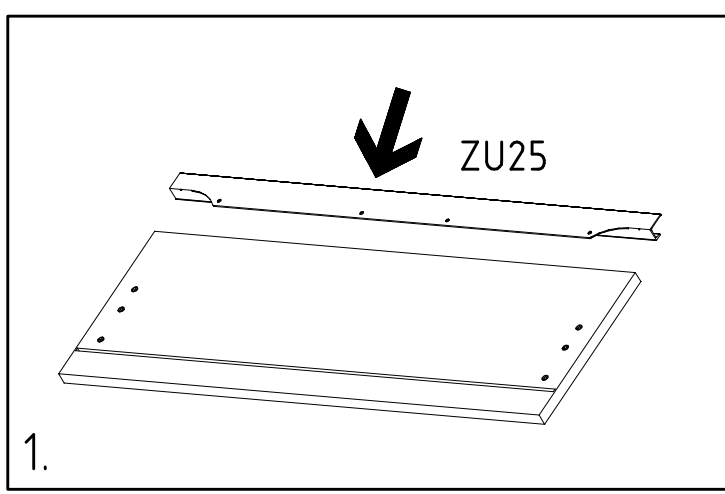
45



46

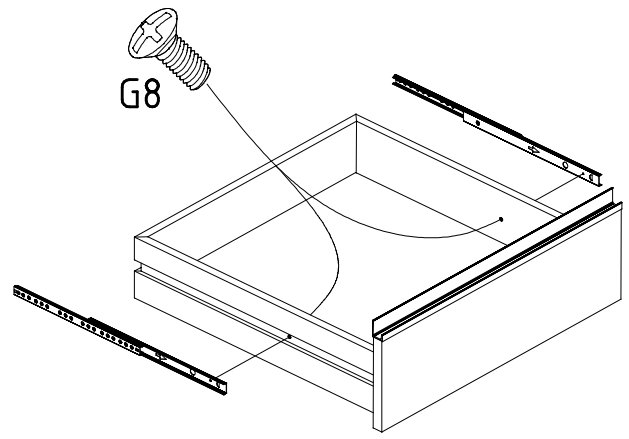
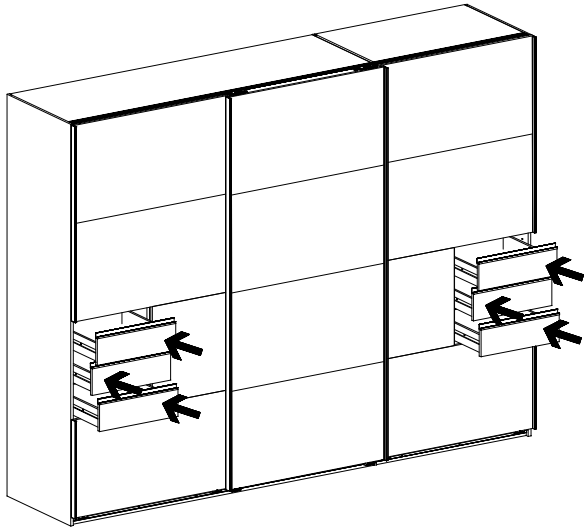


6x



4+7

M4 x 9 mm
G8
111 015



4+8

