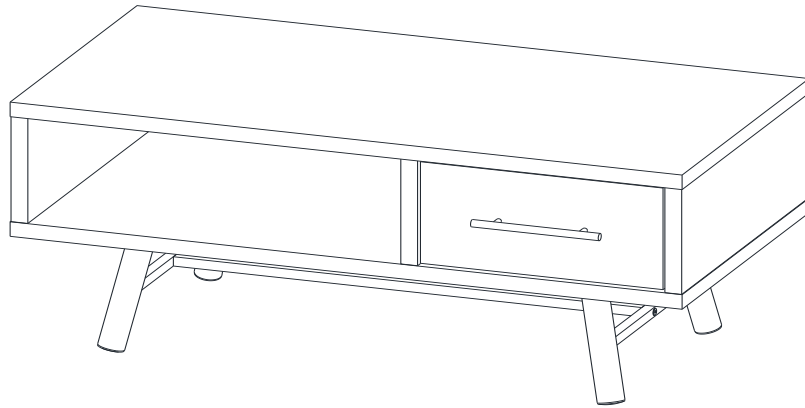






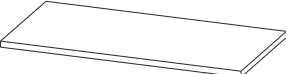
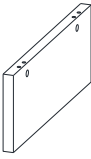
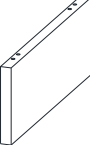
# Assembly Instructions

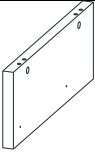
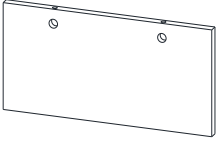
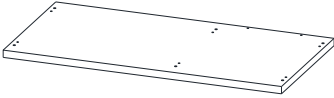
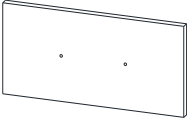
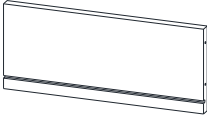
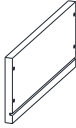




**Caution : You must read this before you proceed**

## COFFEE TABLE

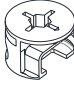













### Parts List

Label	Picture	Description	QTY
AL		Drawer Left Side Rail	1
AR		Drawer Right Side Rail	1
BL		Drawer Left Bottom Rail	1
BR		Drawer Right Bottom Rail	1
C		Top Panel	1
D		Side Panel Left	1
E		Side Panel Right	1

F		Center Panel	1
G		Middle Panel	1
H		Bottom Panel	1
I		Drawer Front Panel	1
J		Drawer Back Panel	1
K		Drawer Side Panel	2
L		Drawer Bottom Panel	1
M		Metal Leg	2
N		Metal Support	1
O		Handle	1

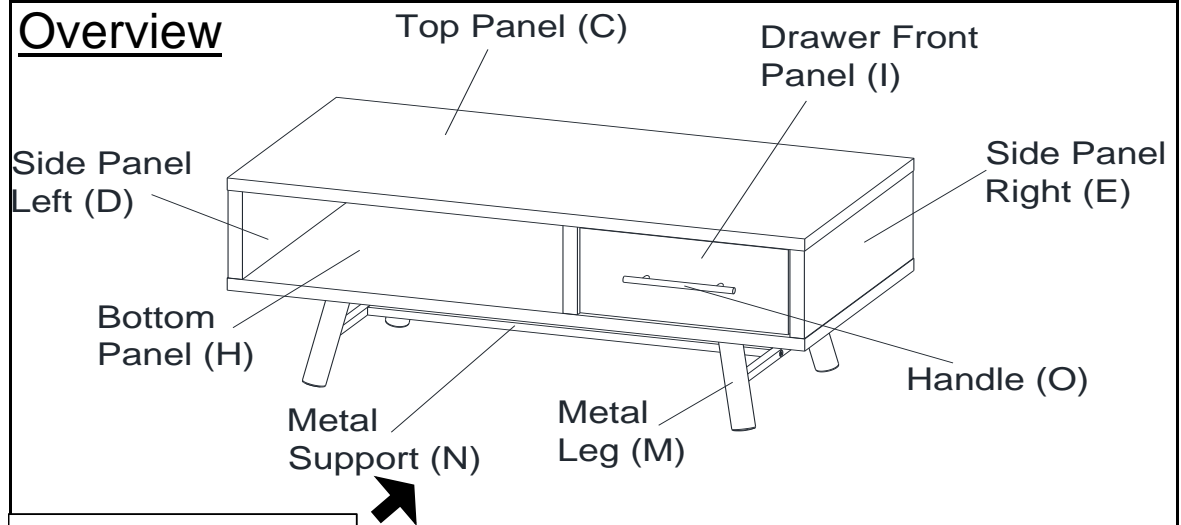
## Hardware

Label	Picture	Description	QTY
①		Cam Lock	9
②		Cam Bolt	9
③		Cam Cap	9
④		Positioning Dowel ( $\phi 8 \times 30\text{mm}$ )	13
⑤		Cap Wood Screw (M6*60mm)	9
⑥		Screw (M3.5*16mm)	13
⑦		Screw (M4*38mm)	9
⑧		Handle Screw (M4*45mm)	3
⑨		Allen Key	1
⑩		Bolt (M6*40mm)	3
⑪		Screw (M4*20mm)	17
⑫		Screwdriver (not provided)	1



## Assembly Steps

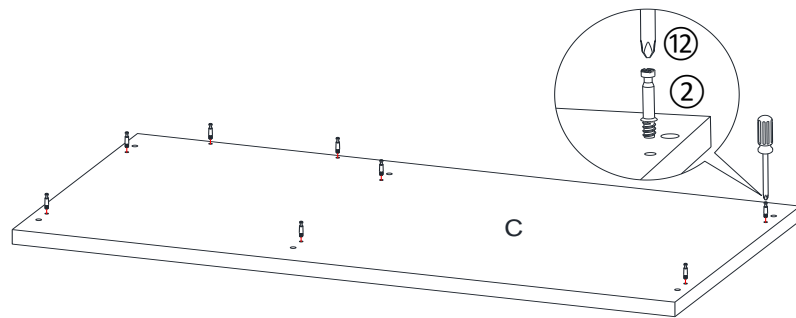
### Overview



### FRONT FACING

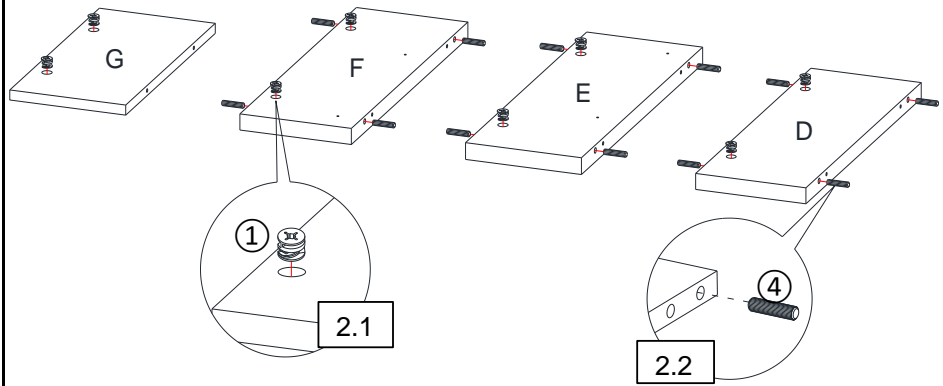
This Coffee Table has multiple parts and may require up to 60 minutes to assemble. To give you an overview of the Coffee Table parts, the above picture is to help you put the various parts into perspective. Please read through the instructions below to familiarise yourself with the parts and steps before assembly.

### Step 1



Unpack and place all parts on a clean, non-marring surface. Attach Cam Bolts(②) to mounting positions on Top Panel (C) with Screwdriver(⑫).

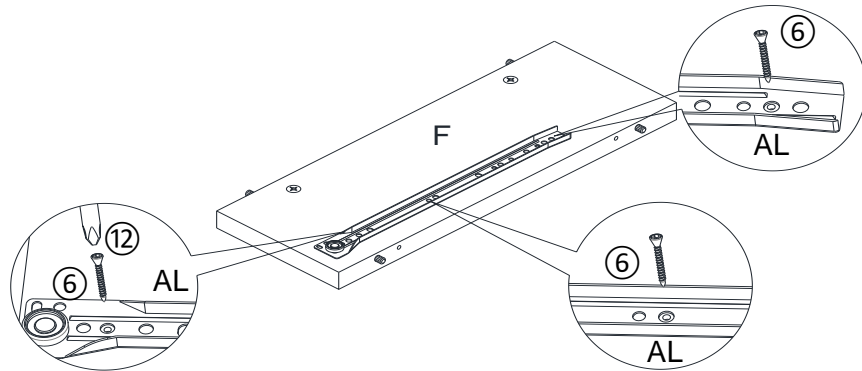
## Step 2



**2.1)** Insert Cam Locks(①) into mounting positions on Side Panel Left (D), Side Panel Right (E), Centre Panel (F) and Middle Panel (G) by hand.

**2.2)** Insert Positioning Dowels(④) into mounting positions on Side Panel Left (D), Side Panel Right (E) and Centre Panel (F) by hand.

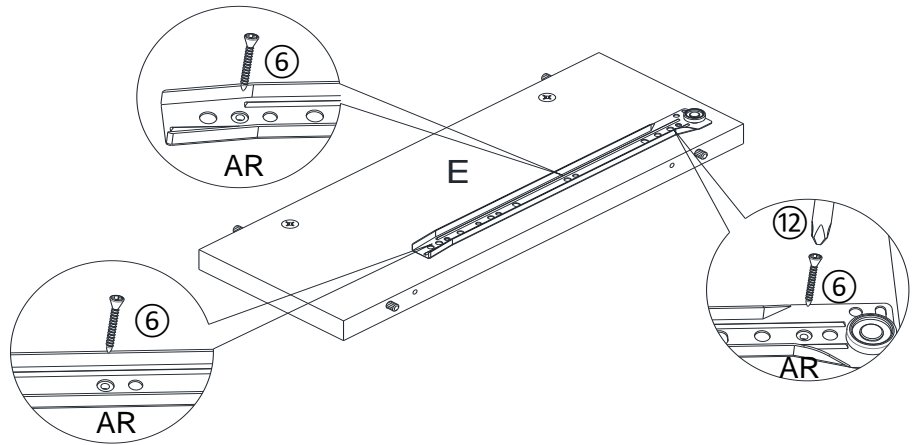
## Step 3



Attach Drawer Left Side Rail (AL) to Center Panel (F) using Screws(⑥) with Screwdriver(⑫) where indicated.

**Note: There are pre-existing mounting positions on the Center Panel (F) to attach the Drawer Left Side Rail (AL). Tighten the Screws fully in a sequential manner.**

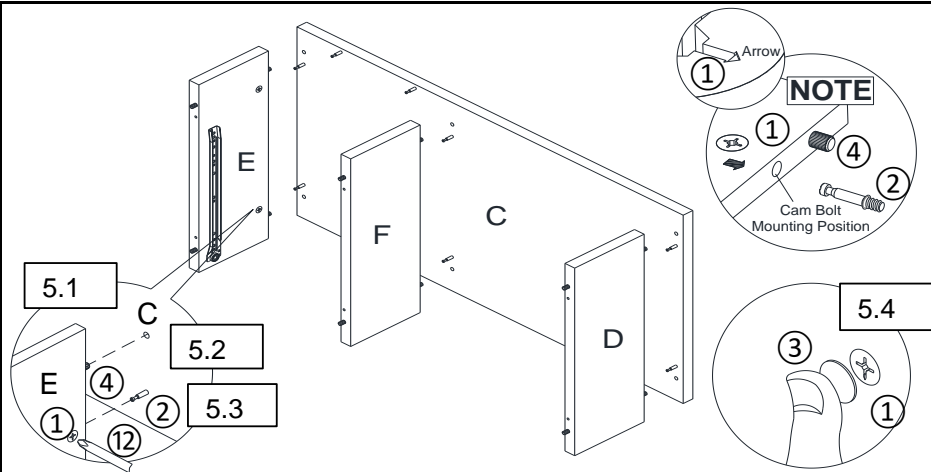
## Step 4



Attach Drawer Right Side Rail (AR) to Side Panel Right (E) using Screws(⑥) with Screwdriver(⑫) where indicated.

**Note: There are pre-existing mounting positions on the Side Panel Right (E) to attach the Drawer Right Side Rail (AR). Tighten the Screws fully in a sequential manner.**

## Step 5



**5.1) Insert Positioning Dowels(④) from Side Panel Left (D), Side Panel Right (E) and Center Panel (F) into mounting positions on Top Panel (C).**

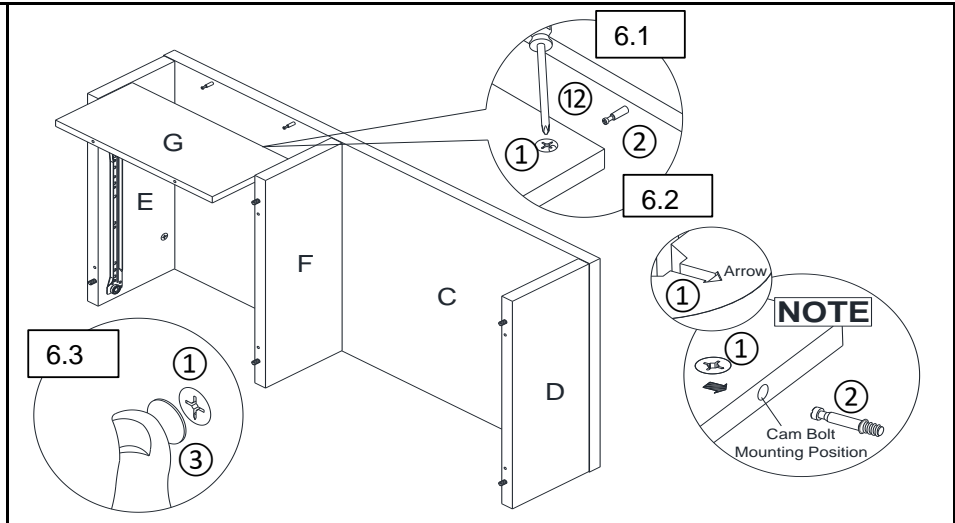
**Note: Ensure the arrows on Cam Locks head points towards the Cam Bolt mounting positions.**

**5.2) Insert the Cam Bolts(②) on Top Panel (C) into mounting positions on Side Panel Left (D), Side Panel Right (E) and Center Panel (F).**

**5.3) Turn the Cam Locks(①) with the Screwdriver(⑫) until they all lock into place.**

**5.4) Insert Cam Cap(③) to cover the Cam Lock(①) by hand.**

## Step 6



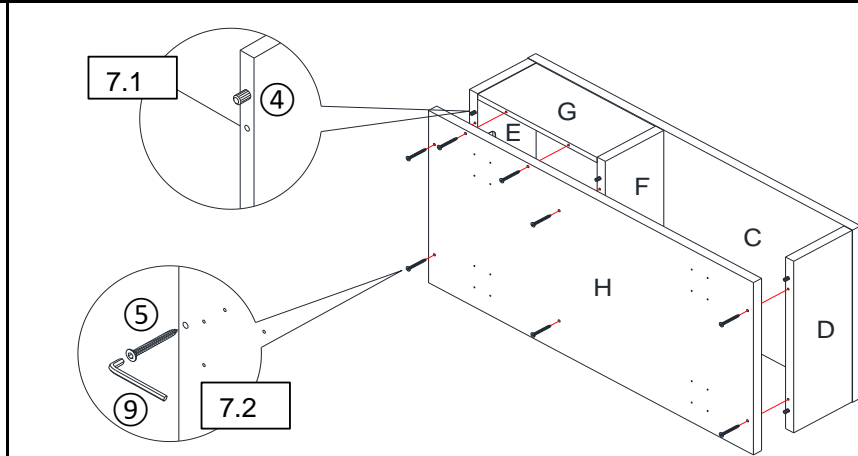
**6.1)** Insert the Cam Bolts(②) on Top Panel (C) into mounting positions on Middle Panel (G).

**Note:** Ensure the arrows on Cam Locks head points towards the Cam Bolt mounting positions.

**6.2)** Turn the Cam Locks(①) with the Screwdriver(⑫) until they all lock into place.

**6.3)** Insert Cam Cap(③) to cover the Cam Lock(①) by hand.

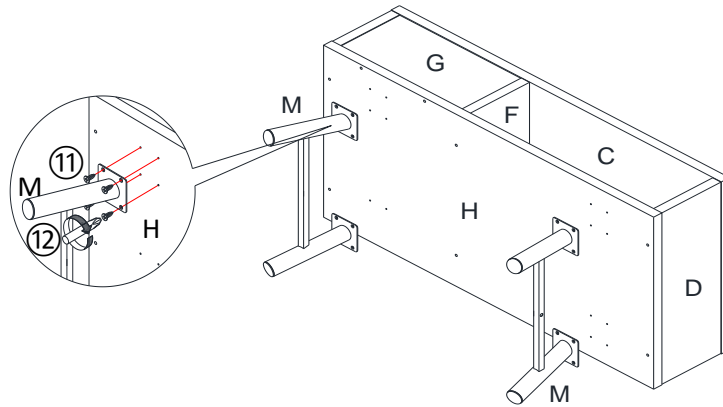
## Step 7



**7.1)** Insert Positioning Dowels(④) from Side Panel Left (D), Side Panel Right (E) and Center Panel (F) into mounting positions on Bottom Panel (H).

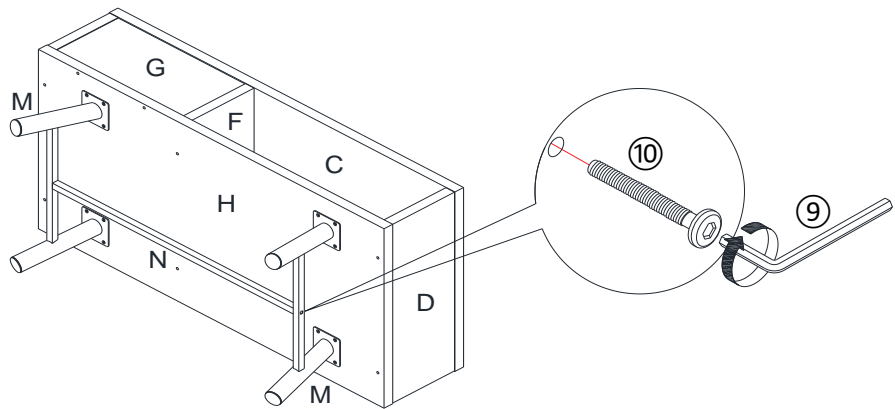
**7.2)** Attach Bottom Panel (H) to Coffee Table Assembly using Cap Wood Screws(⑤) with Allen Key(⑨).

### Step 8



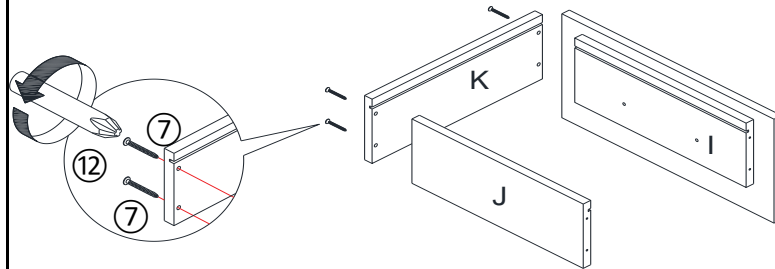
Attach Metal Leg(M) to Bottom Panel(H) using Screw(⑪) with Screwdriver(⑫).

### Step 9



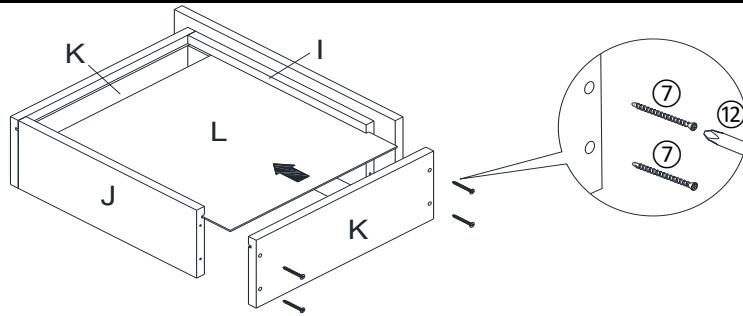
Attach Metal Leg (M) to Metal Support (N) using Bolt(⑩) with Allen Key(⑨).

### Step 10



Attach Drawer Side Panel (K) to Drawer Front Panel (I) and Drawer Back Panel (J) using Screws(⑦) with Screwdriver(⑫).  
**Tighten the Screws fully in a sequential manner.**

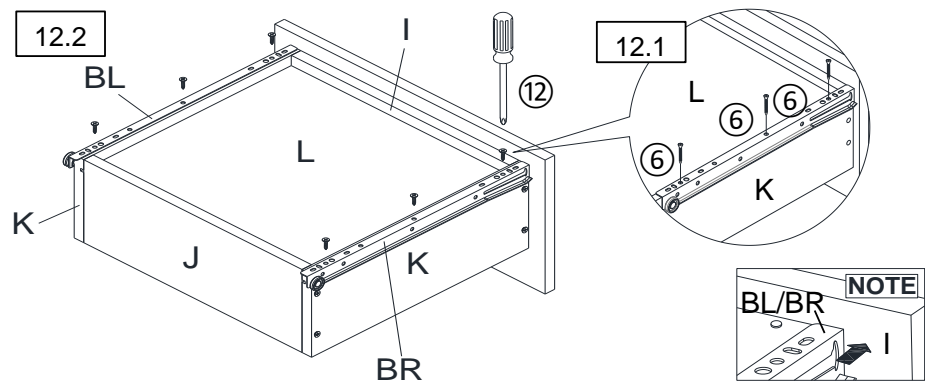
### Step 11



Attach Drawer Bottom Panel (L) to Drawer Assembly, attach Drawer Side Panel (K) to Drawer Front Panel (I) and Drawer Back Panel (J) using Screws(7) with Screwdriver(12).

**Tighten the Screws fully in a sequential manner.**

### Step 12

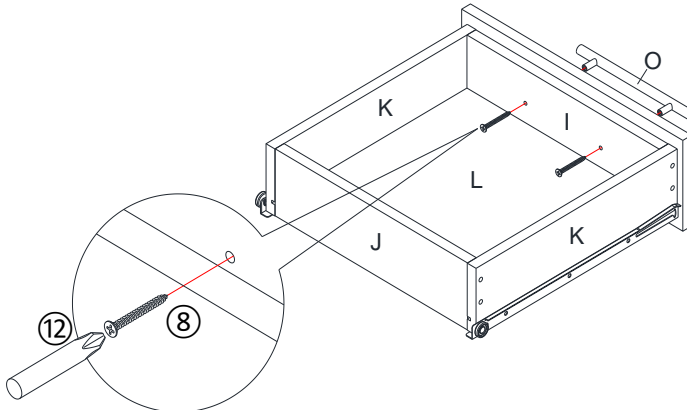


**12.1)** Attach Drawer Right Bottom Rail (BR) to Drawer Side Panel (K) using Screws(6) with Screwdriver(12) where indicated.

**12.2)** Repeat the same process on the Drawer Left Bottom Rail (BL).

**Tighten the Screws fully in a sequential manner.**

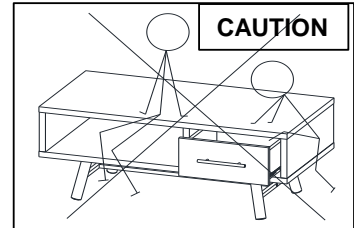
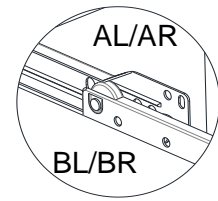
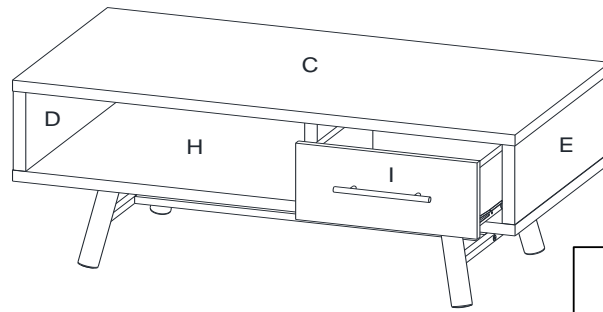
### Step 13



Attach Handle (O) to Drawer Front Panel (I) using Handle Screws(8) with Screwdriver(12).

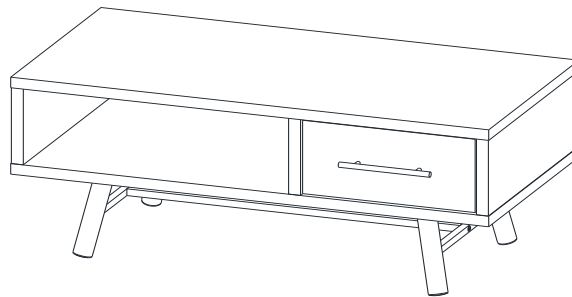
**Tighten the Screws fully in a sequential manner.**

**Step 14**



Put Drawer Assembly in place by aligning the rails.

**Step 15**



Your Coffee Table is ready for use.

**This Coffee Table can only be used on a flat, level surface.**

## Care & Maintenance



- Furniture may scratch floors. We recommend using furniture pads to protect your floors.



- Do not put hot items directly on furniture surface.



- Do not clean furniture with harsh cleansers or polish.



- Do not place furniture under direct sunlight.



- Do not place furniture near heating or cooling vents.



- Do not write on furniture without a padded barrier to protect the surface.



- Do not place furniture outside . For indoor use only.



- Not for commercial use. For residential use only.



- Stains may be removed with mild soap solution and damp cloth.



- Children should not climb or jump on the furniture.



- Dust and pick-up spills using a clean, non-colored, lint-free cloth.