

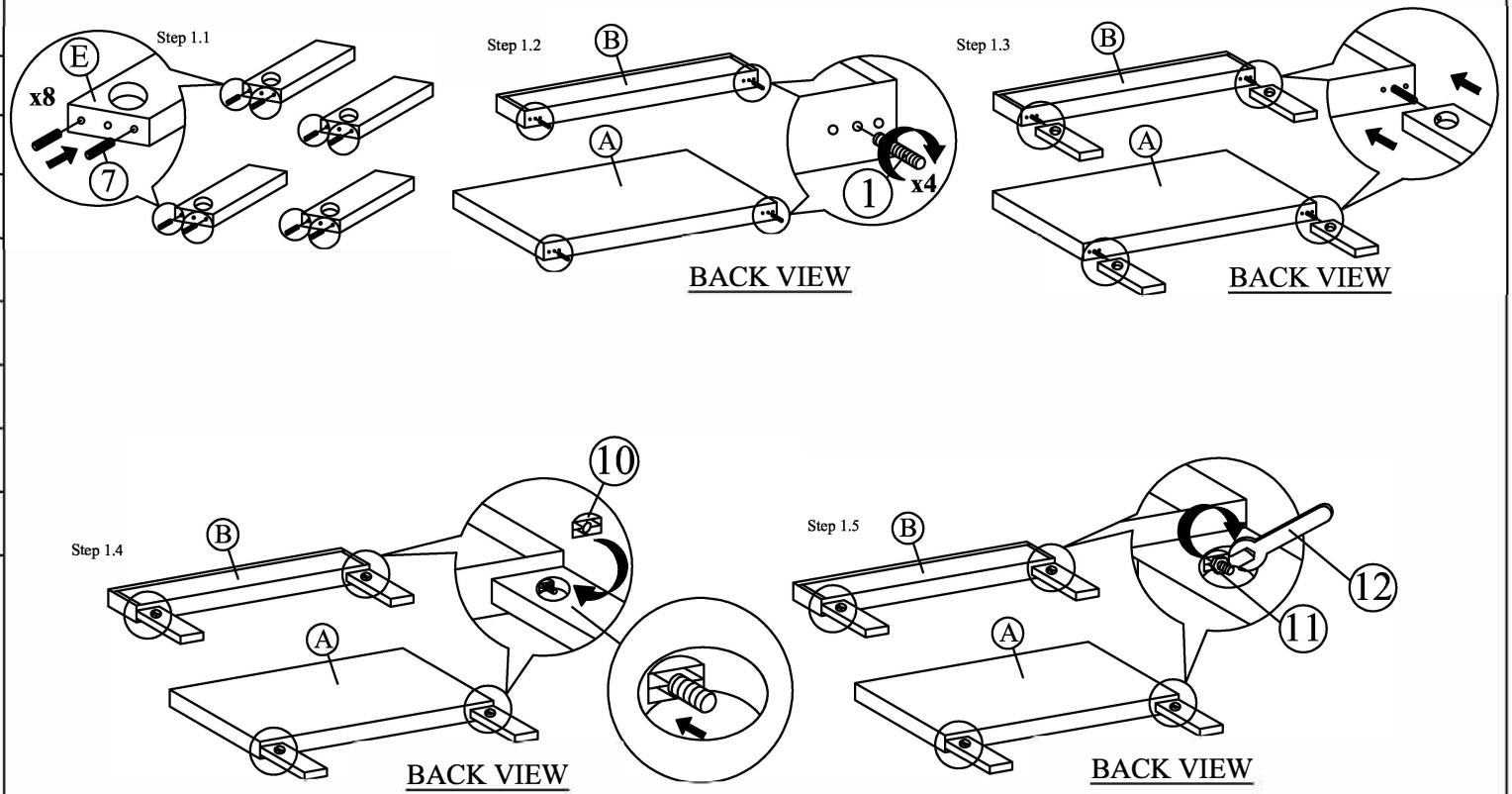
Assembly Instructions

(BOX 1)
HEADBOARD, FOOTBOARD, SIDE RAIL

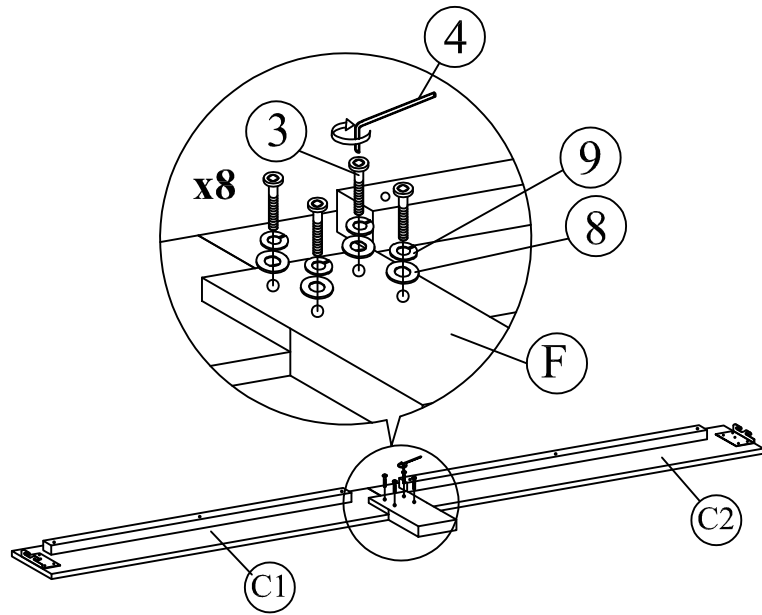
(BOX 1)
HARDWARE LIST

NO	ITEM	QTY	NO	ITEM	QTY
A	HEADBOARD	1 PC	1	JCBC NO HEAD	4 PCS
B	FOOTBOARD	1 PC	2	JCBB M8 x 30MM	8 PCS
C	SIDE RAIL (C1) (C2)	4 PCS	3	JCBC M6 x 30MM	8 PCS
D	SLAT 997mm	2 PCS	4	M4 x 65MM	1 PC
E	LEG Washers Leg R/W 40 x 70 x 197-5(H)	4 PCS	5	M5 x 70MM	1 PC
F	SIDE RAIL LEG 24 x 80 x 290	2 PCS	6	FLAT HEAD CHIPBOARD SCREW M4 x 32MM	24 PCS
			7	PLASTIC DOWEL	8 PCS
			8	M6 FLAT WASHER	8 PCS
			9	M6 SPRING WASHER	8 PCS
			10	CAP NUT	4 PCS
			11	NUT	4 PCS
			12	SPANNER	1 PC

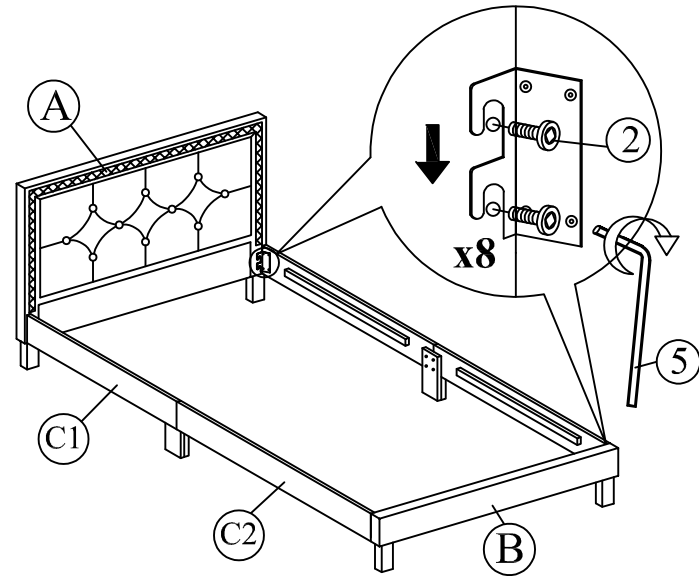
Step 1 : Tighten the legs (E) to the headboard (A) and footboard (B) as shown.



Step 2 : Attach the side rail leg (F) to the side rail (C) .



Step 3 : Attach side rail (C) to headboard (A) and footboard (B) by pushing the bracket down to fit it.



Step 4 : Tighten the 4 Corner with Allen Key (5). Install the bed slats to side rail. Tighten the slats with CSK screw. The distance of the slats should be sufficient to obtain desirable bed stability.

