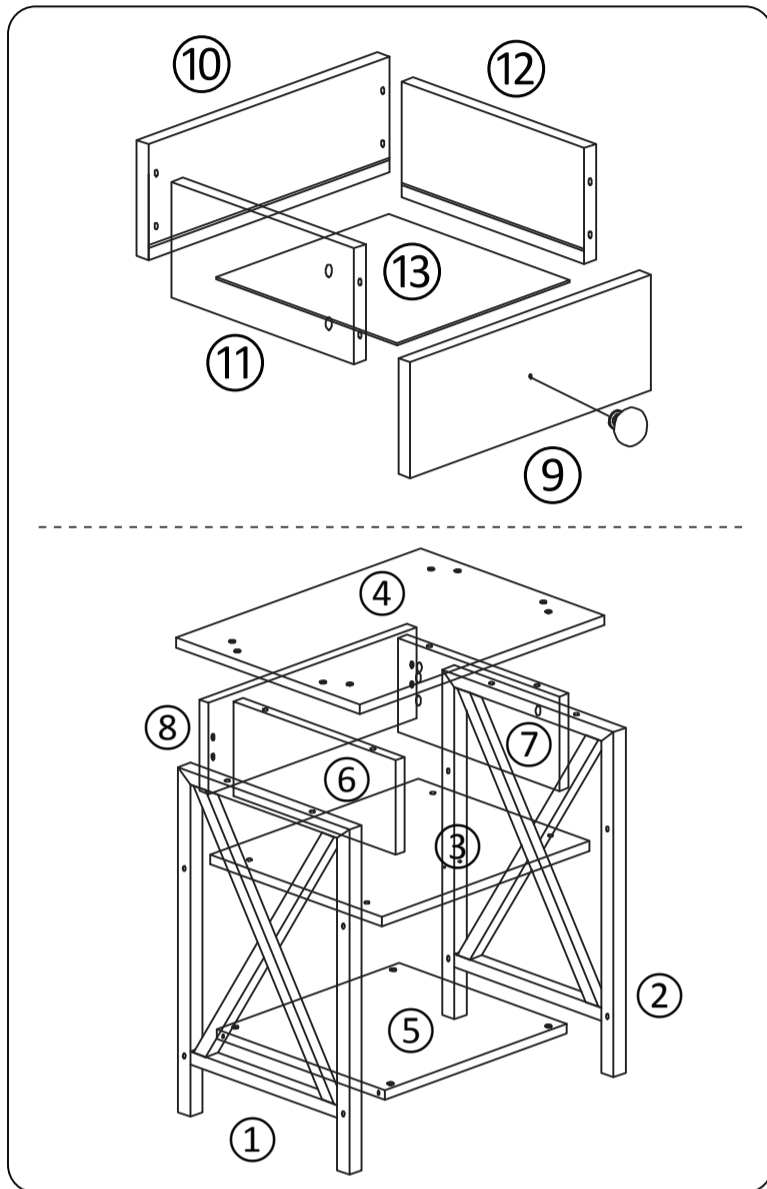


Assembly Instructions

Tips!

Check all the components & screws before assembly. **Do not install in case part is missing, contact us to get.**



1		1	2		1
3		1	4		1
5		1	6		1
7		1	8		1
9		1	10		1
11		1	12		1
13		1			

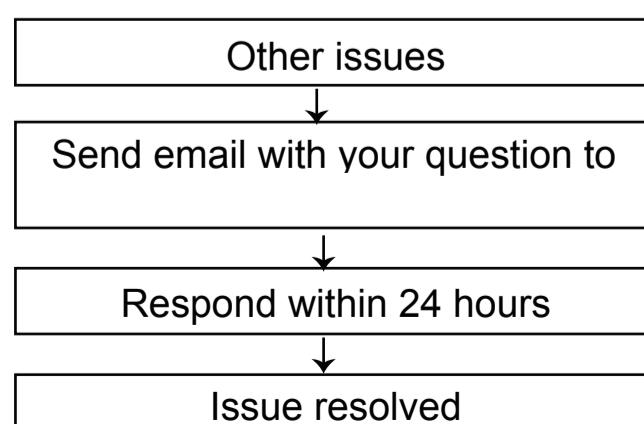
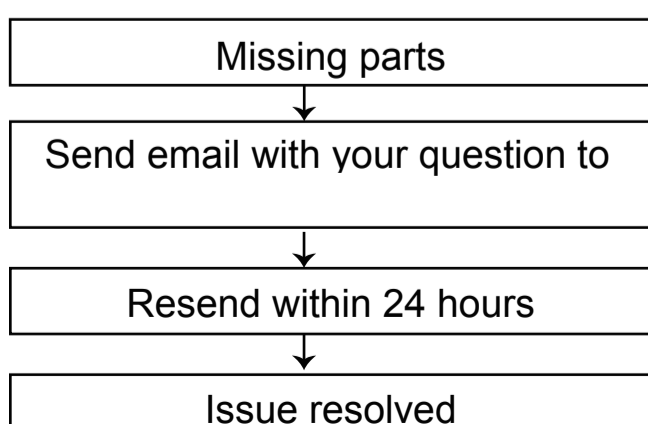
A		12	B		8	C		8	D		4	E		2
F		1	G		4	H		1	I		1	J		1

Return Policy

believes you will absolutely love your new item. But if for some reason you want to return, please contact us directly before you decide to return your product. Our customer service organization can answer most concerns and assist you with any questions you may have about your new item,

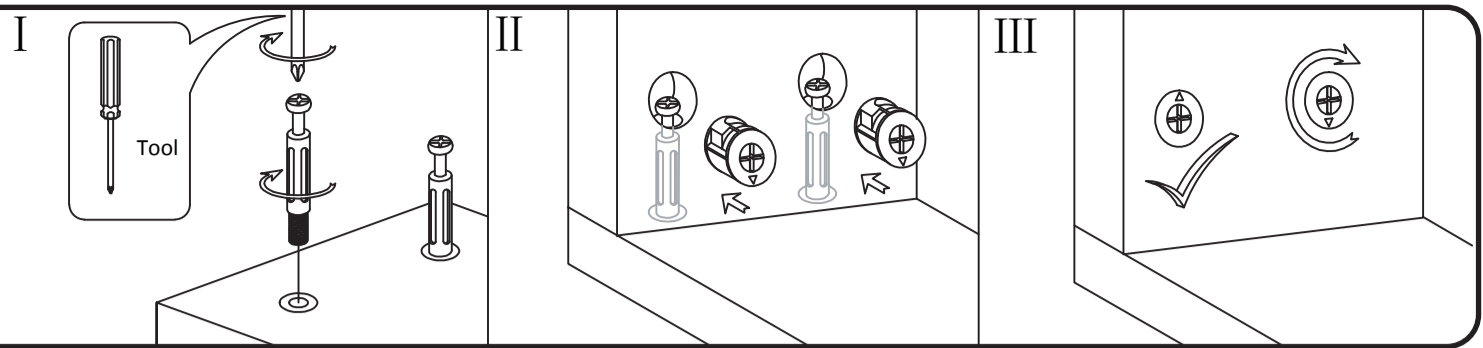
The item must be return within 30 days of delivery for a full refund. The item must be returned in good condition, in original box, with all original proof of purchase, parts and accessories.

Trouble shooting:



We control manufacturing and distribution ourselves, ensure the quality.

"A" Hardware installation example



StepA:Drawer Assembly

<p>1</p> <p>Cx4</p>	<p>2</p>	<p>3</p> <p>Ax4</p>	<p>4</p> <p>Ix1</p> <p>Fx1</p>
----------------------------	-----------------	----------------------------	---------------------------------------

StepB:Drawer Outer Frame Assembly (5 6 7)

StepC:Assemble Drawer Embed in Drawer Outer Frame(8)

<p>5</p> <p>Ax4</p>	<p>6</p> <p>Ex2</p> <p>Hx1</p> <p>Tips: When install H, please notice the direction of a and b</p>	<p>7</p> <p>Ax4</p>	<p>8</p> <p>Reverse</p>
----------------------------	---	----------------------------	--------------------------------

StepD:Main frame assembly

<p>9</p> <p>Cx4</p>	<p>10</p> <p>Bx4</p> <p>Gx4</p>	<p>11</p> <p>Dx4</p> <p>Bx4</p>	<p>12</p>
----------------------------	--	--	------------------

StepE:Check and tighten all screws

13