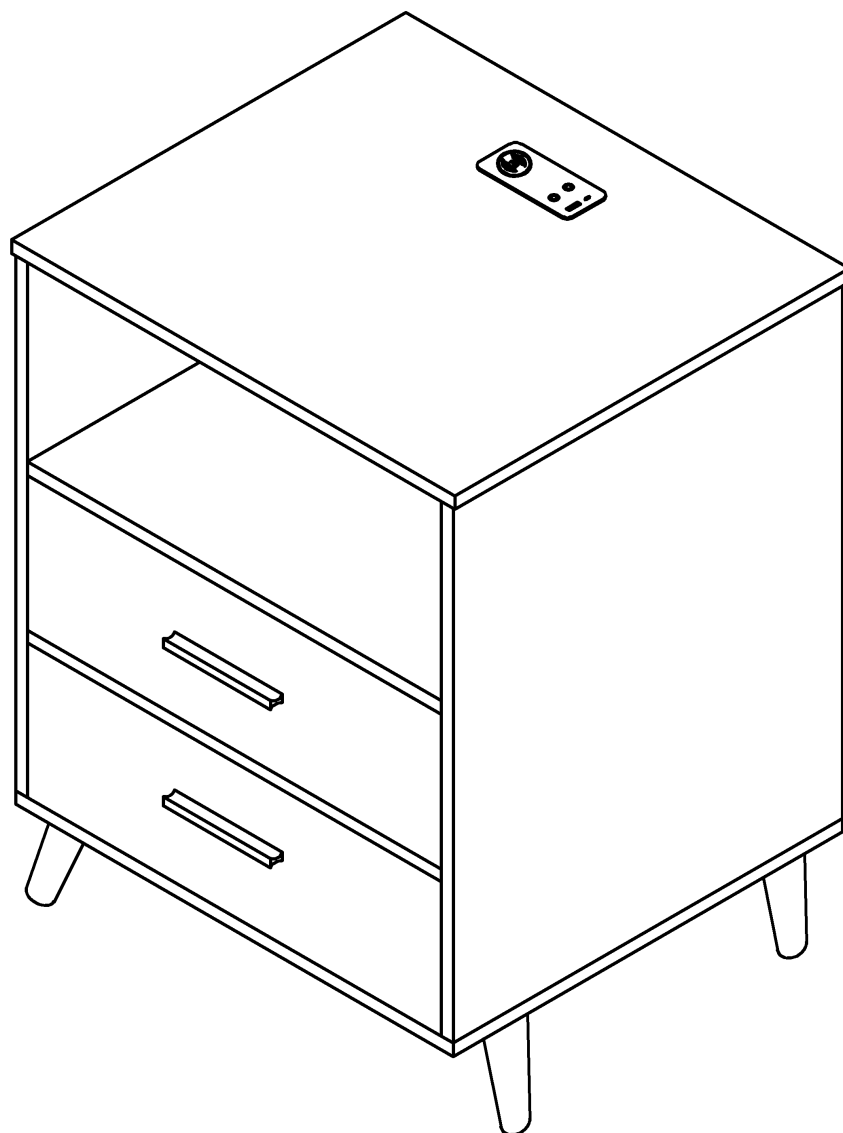
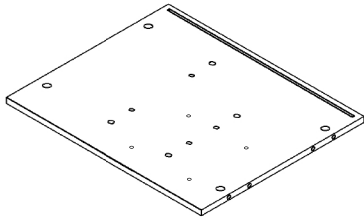


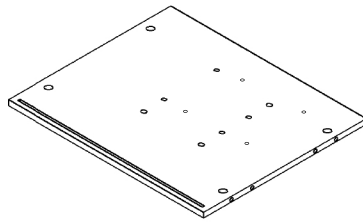
Product Installation Instructions

YY2786

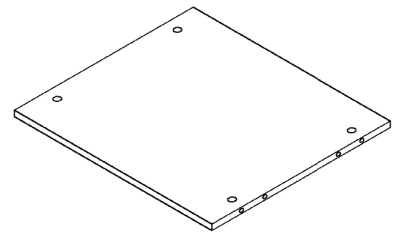




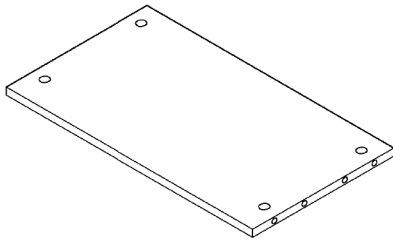
Ax1



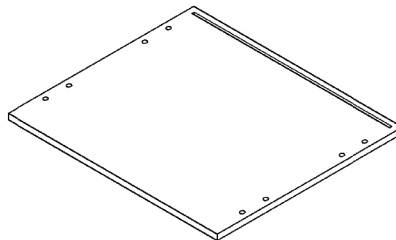
A2x1



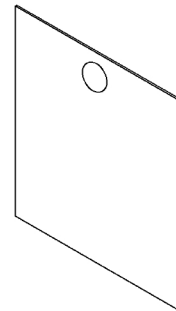
Bx1



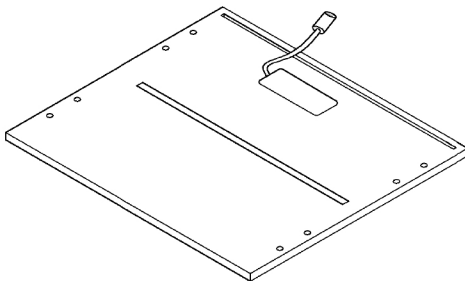
Cx1



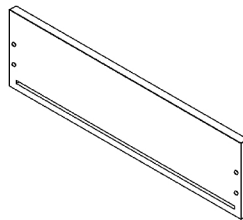
Dx1



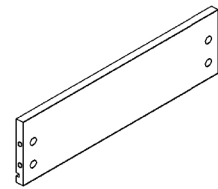
Ex1



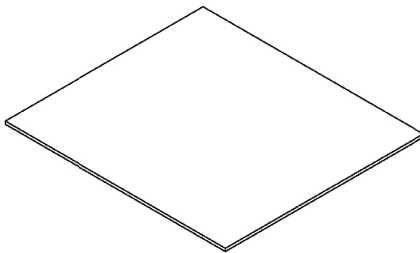
Fx1



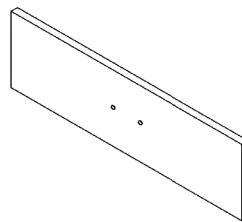
Gx2



Hx4



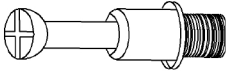

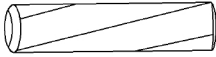
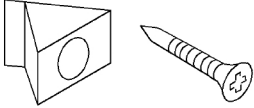
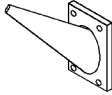


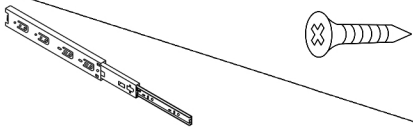
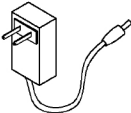
Ix2

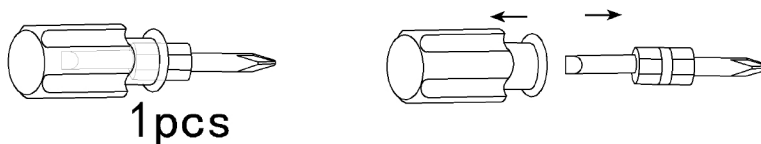


Jx2



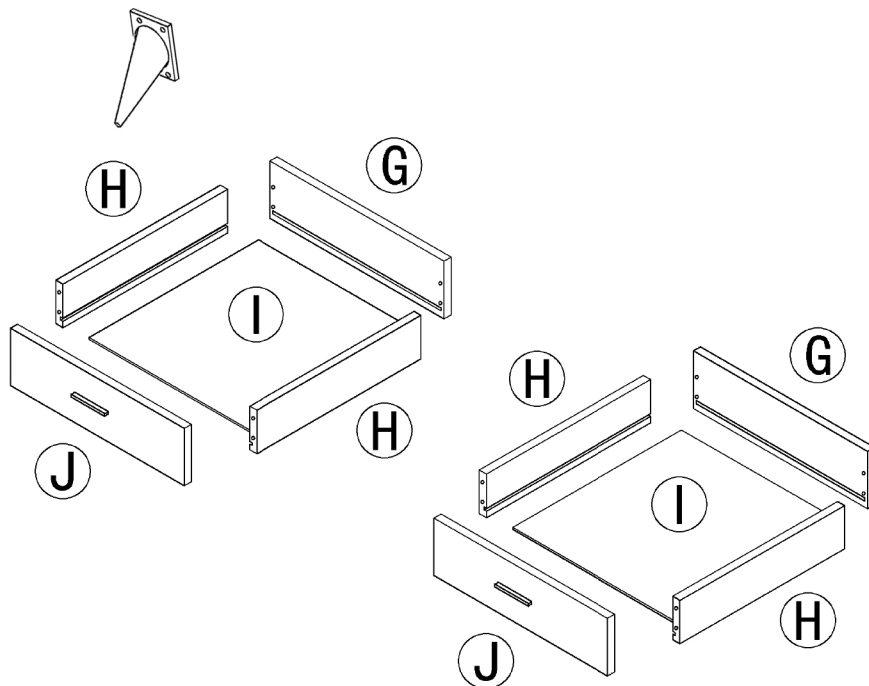
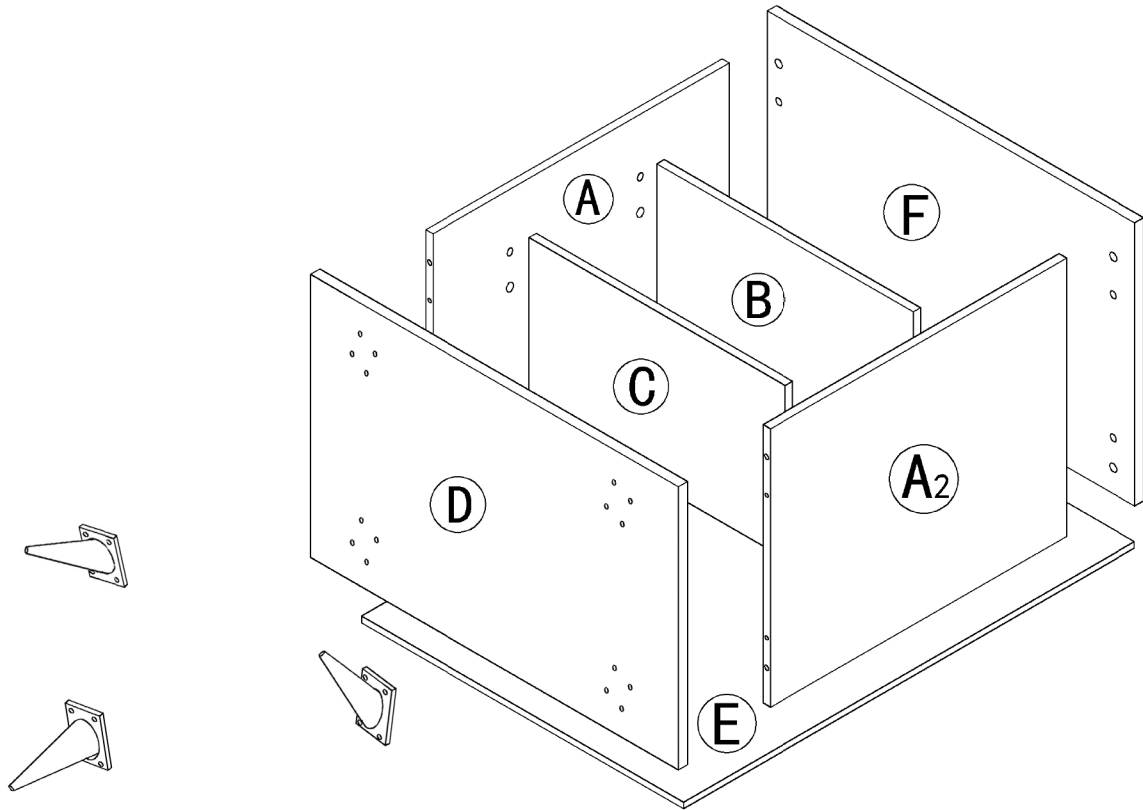
1

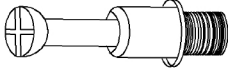


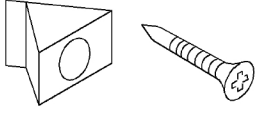
①		Two In One Screw (6x28mm)	32pcs +4pcs
②		Two In One Nut (10x12mm)	32pcs +4pcs
③		Wood Chipping (6x30mm)	16pcs +2pcs
④		Back Plate Buckle & Screw (3x16mm)	4pcs
⑤		Taper foot	4pcs
⑥		Screw (4x12mm)	16pcs +2pcs
⑦		Screw & Handle (4x16mm)	2pcs 4pcs +1pcs
⑧		Screw & Guide (3x12mm) 29cm	20pcs 4pcs
		AC/DC Adapter (12V=3.0A)	1pcs

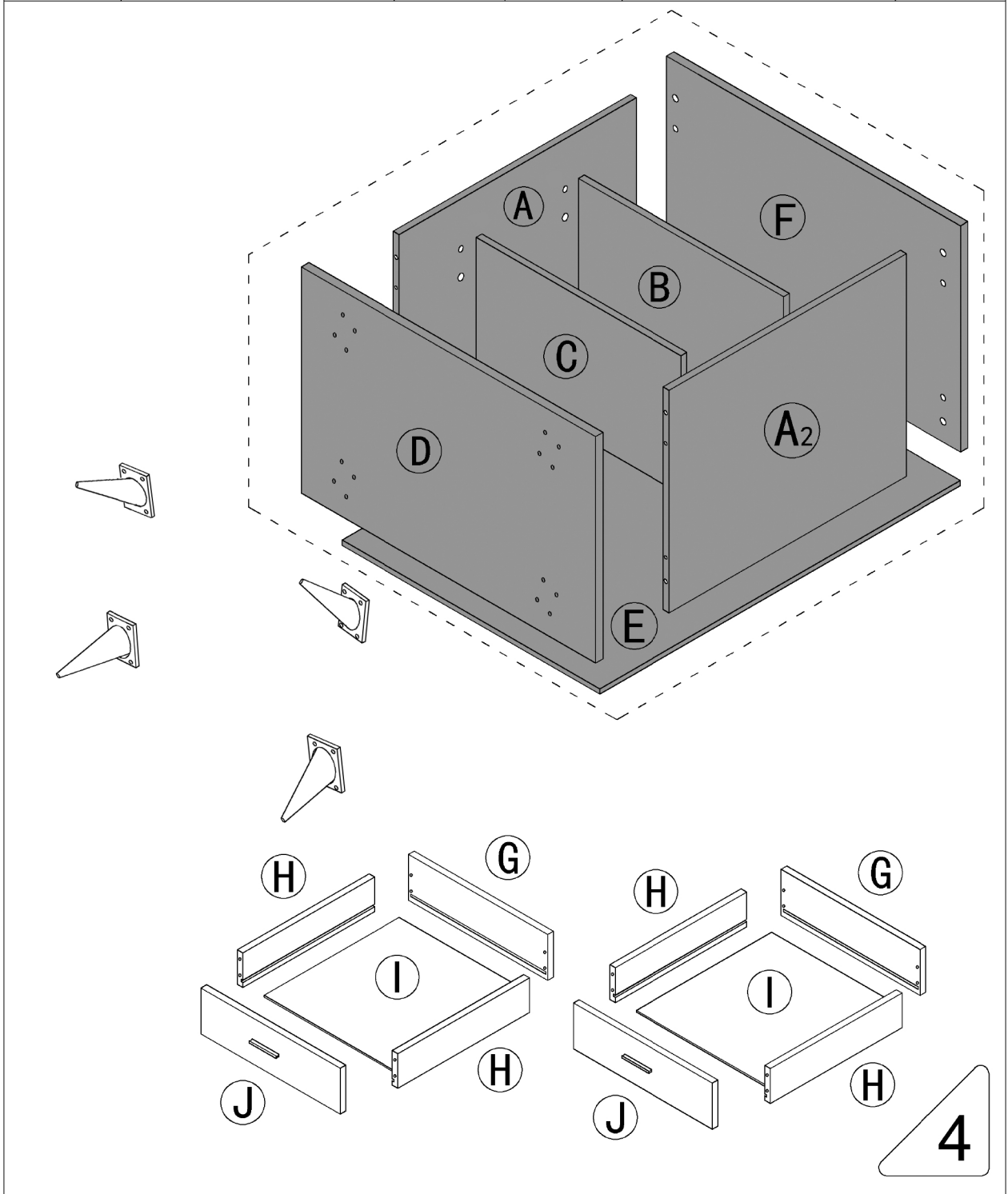


1pcs
Double-head screwdriver, use as required

Product structure decomposition

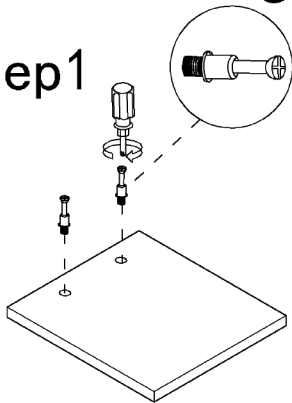


1		16pcs	3		16pcs
2		16pcs	4		4pcs

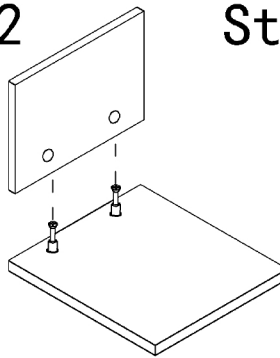


Use parts ① and ②

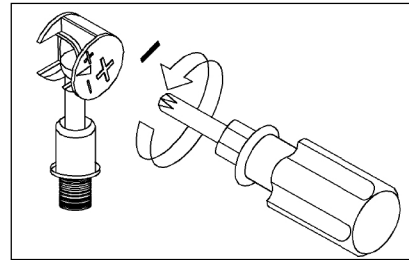
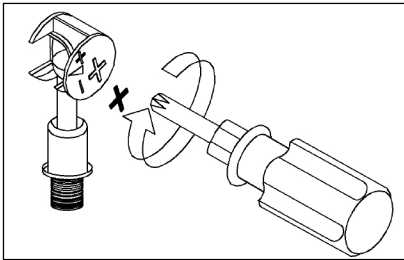
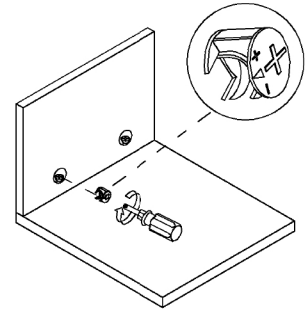
Step1



Step2



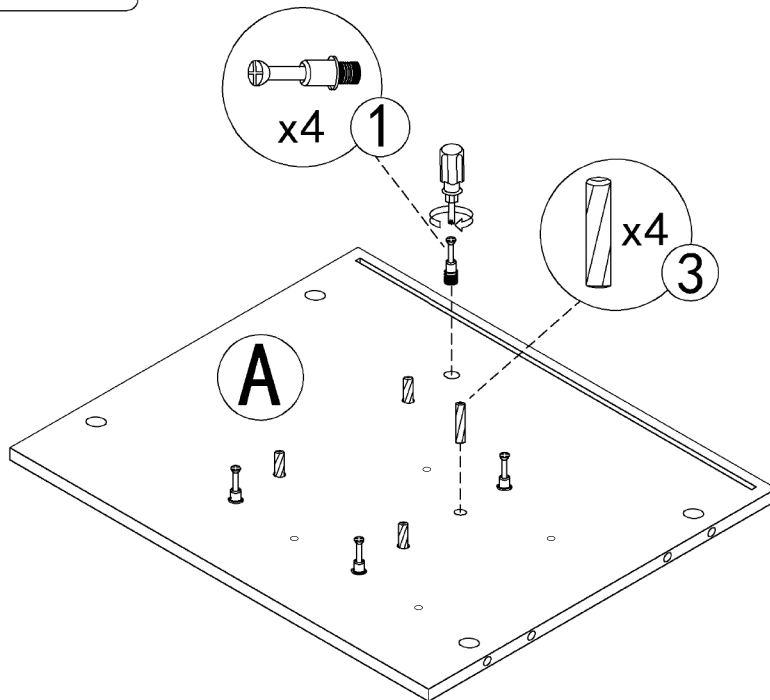
Step3



Use a screwdriver to lock in the direction of the "+" sign

Disassemble along the direction of "-" sign

Step 1

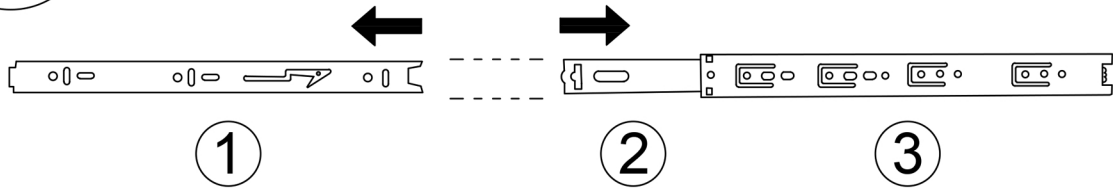


- ① x4
- ③ x4

5

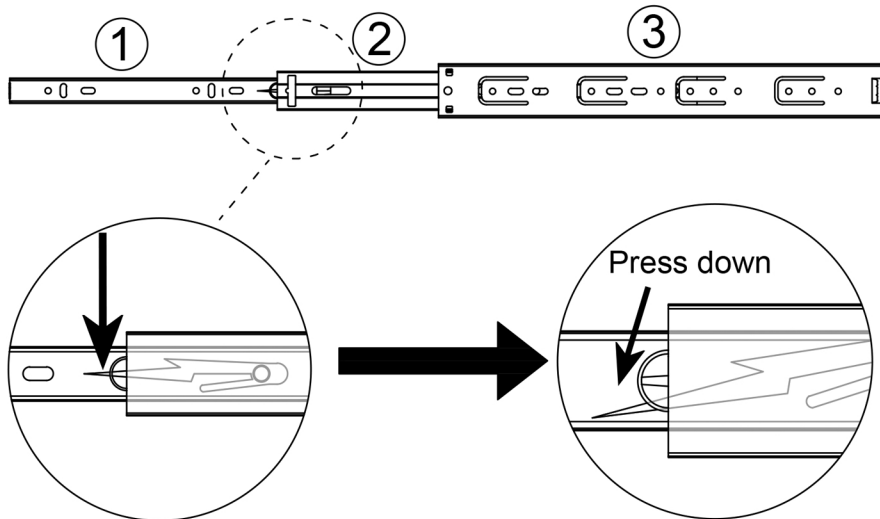
8

Drawer rail breakdown diagram



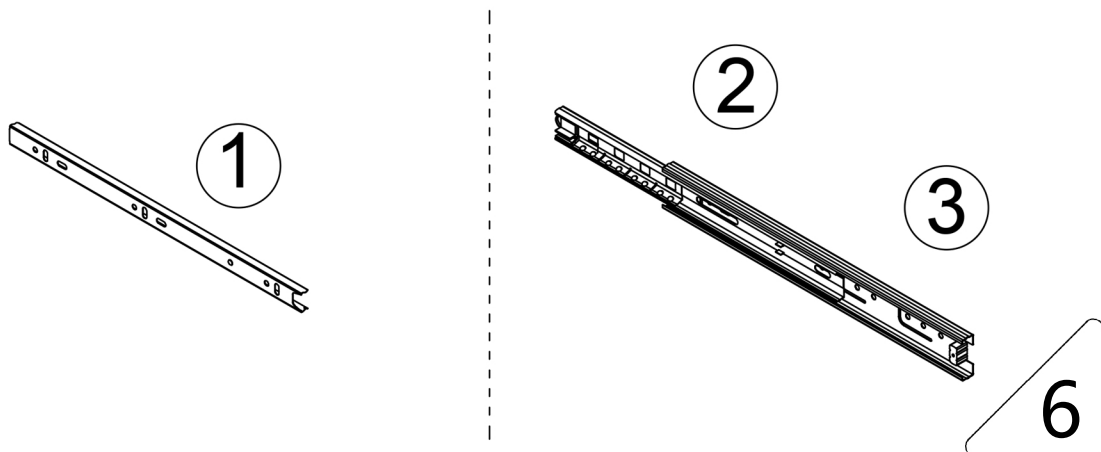
① Dismantle the schematic diagram

Step 1 : Pull the rails apart

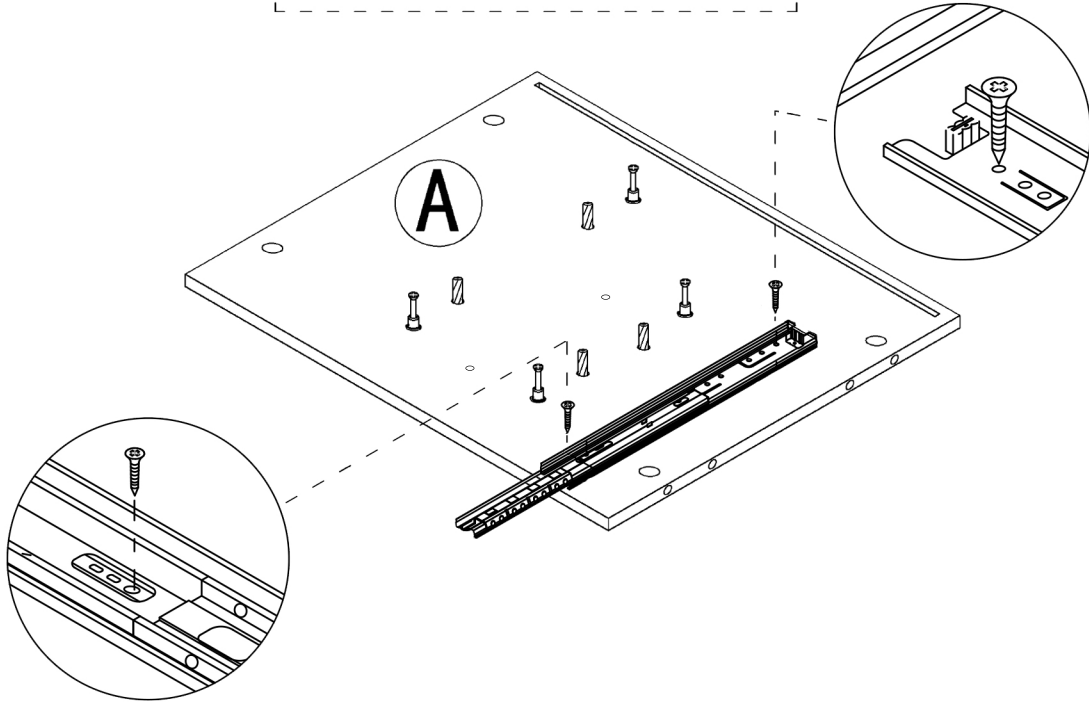
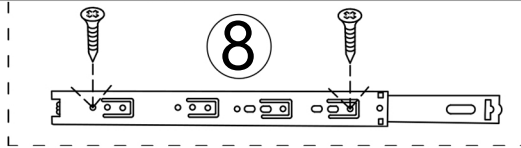


Step 2 : Press the nylon button and pull out ①.

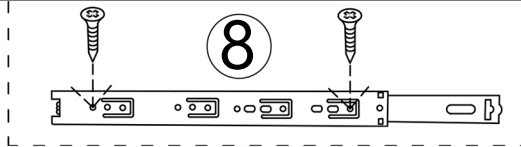
Drawer rail decomposition completed schematic diagram



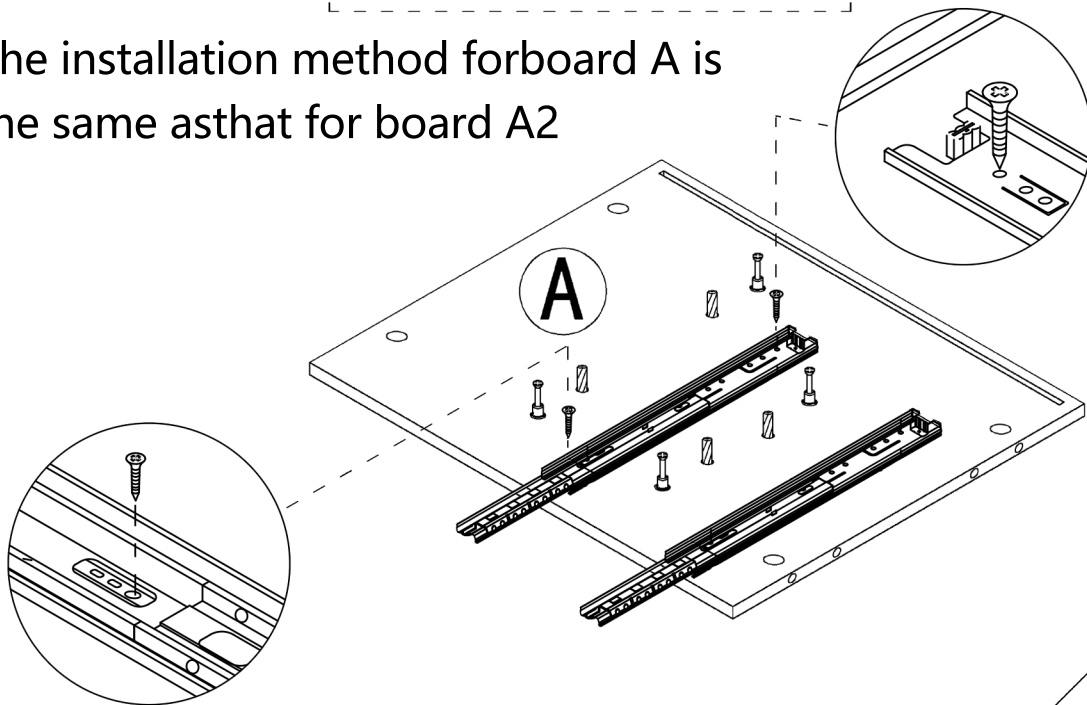
Step 2



Step 3



The installation method for board A is the same as that for board A2

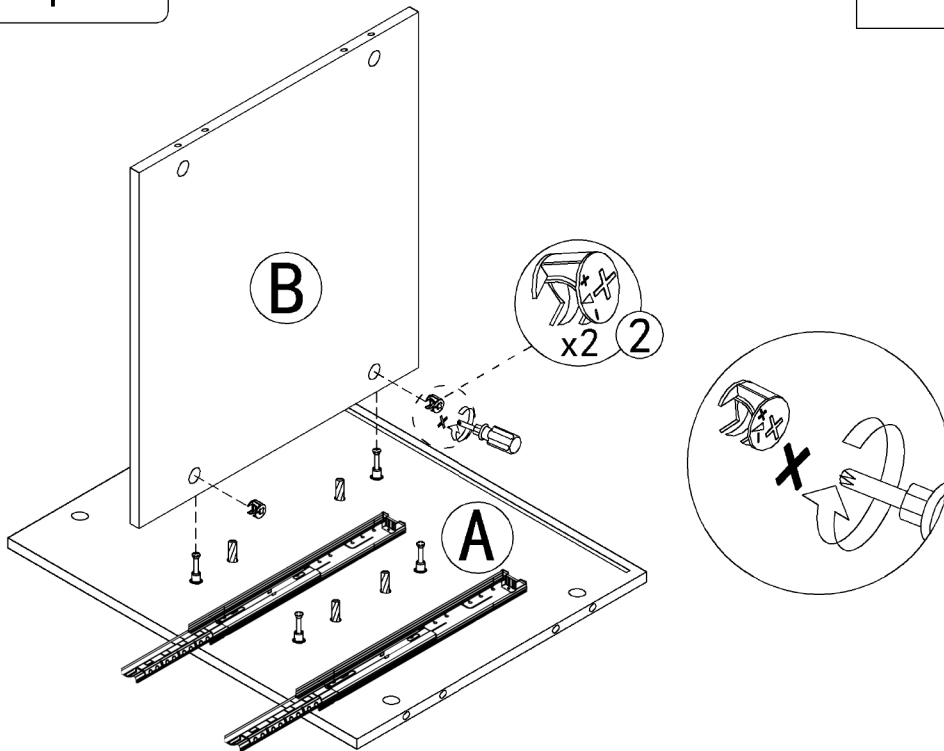


Step 4

2



x2

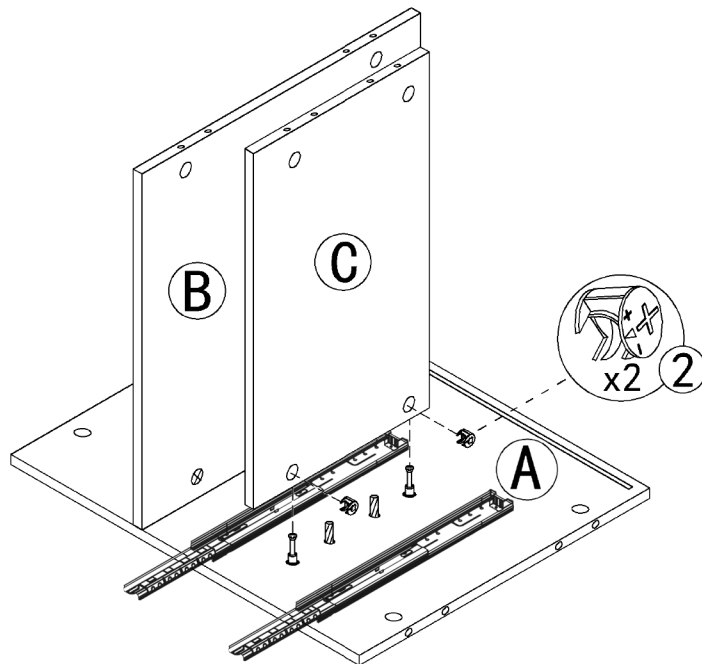


Step 5

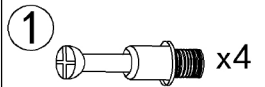
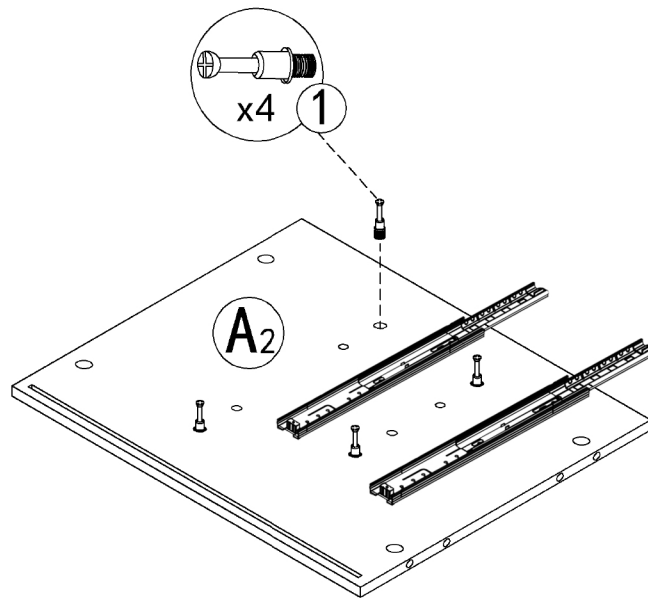
2



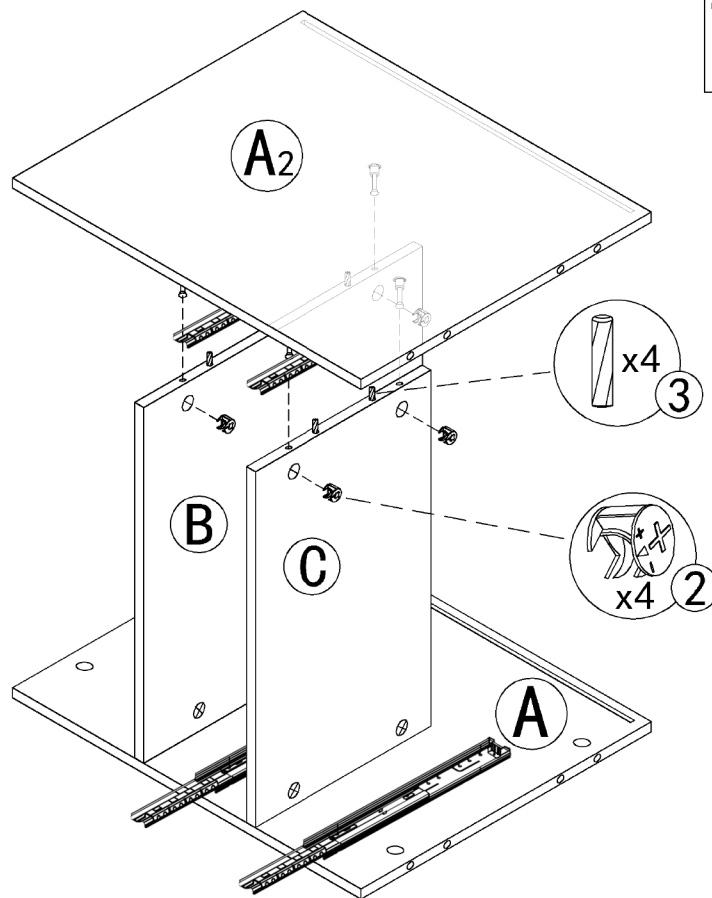
x2



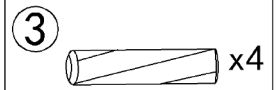
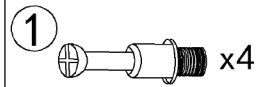
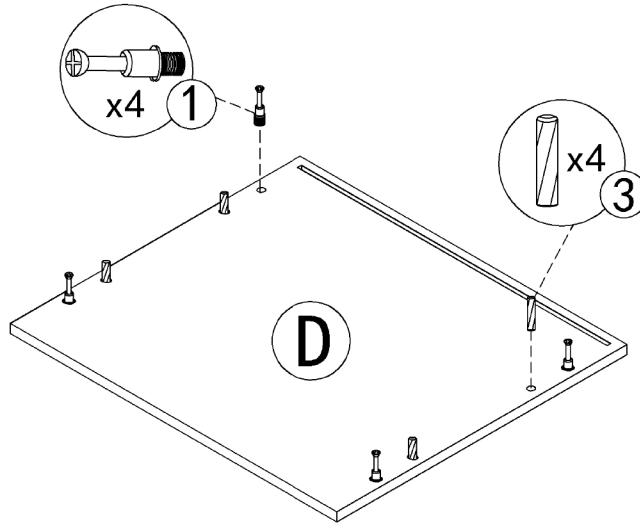
Step 6



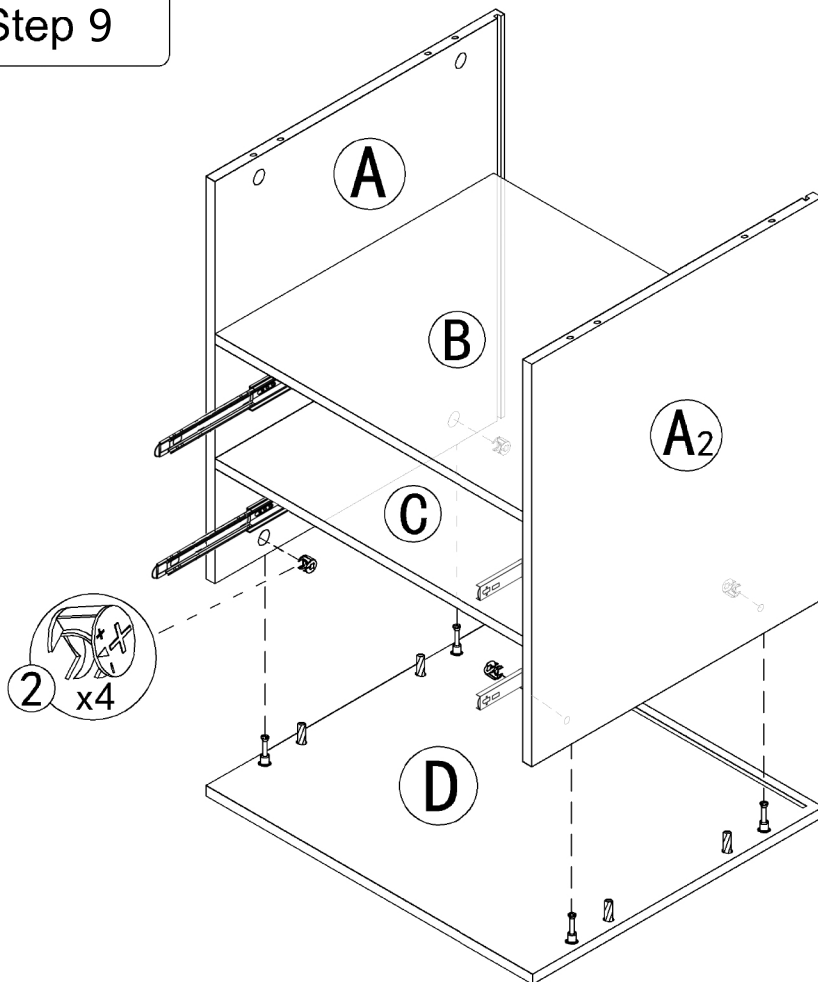
Step 7



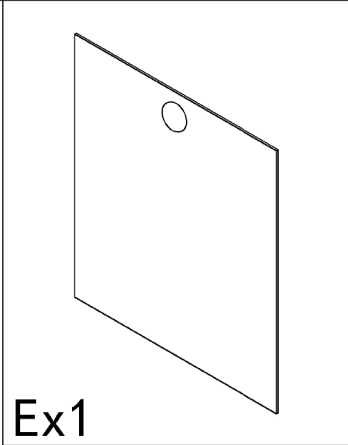
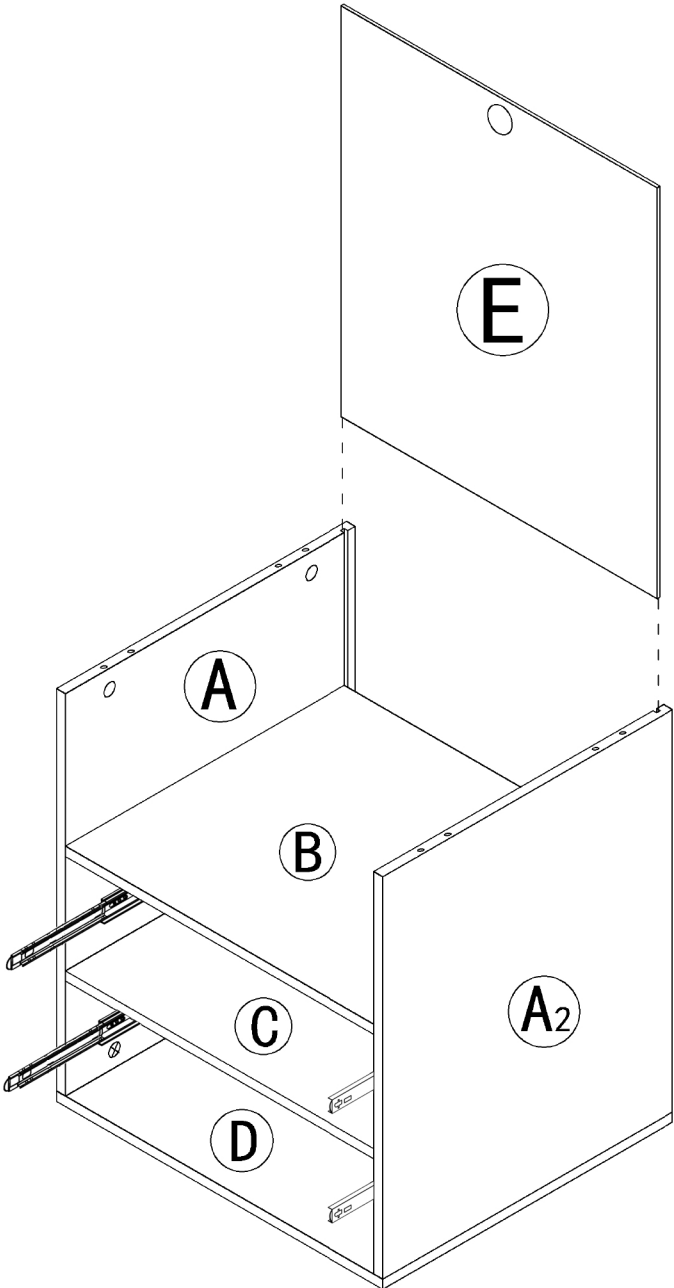
Step 8



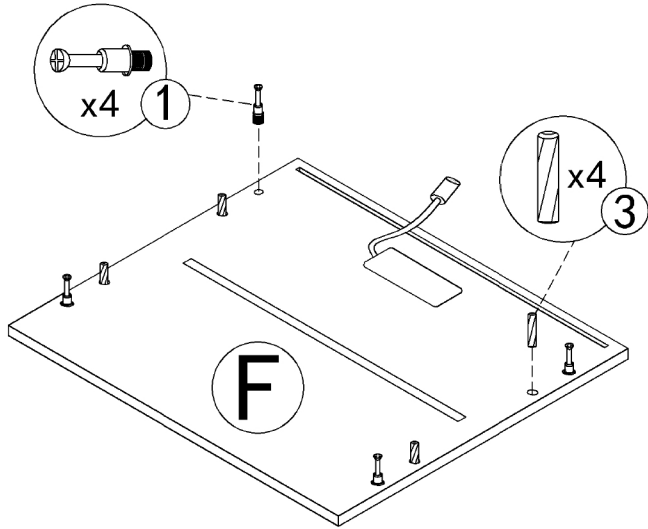
Step 9



Step 10



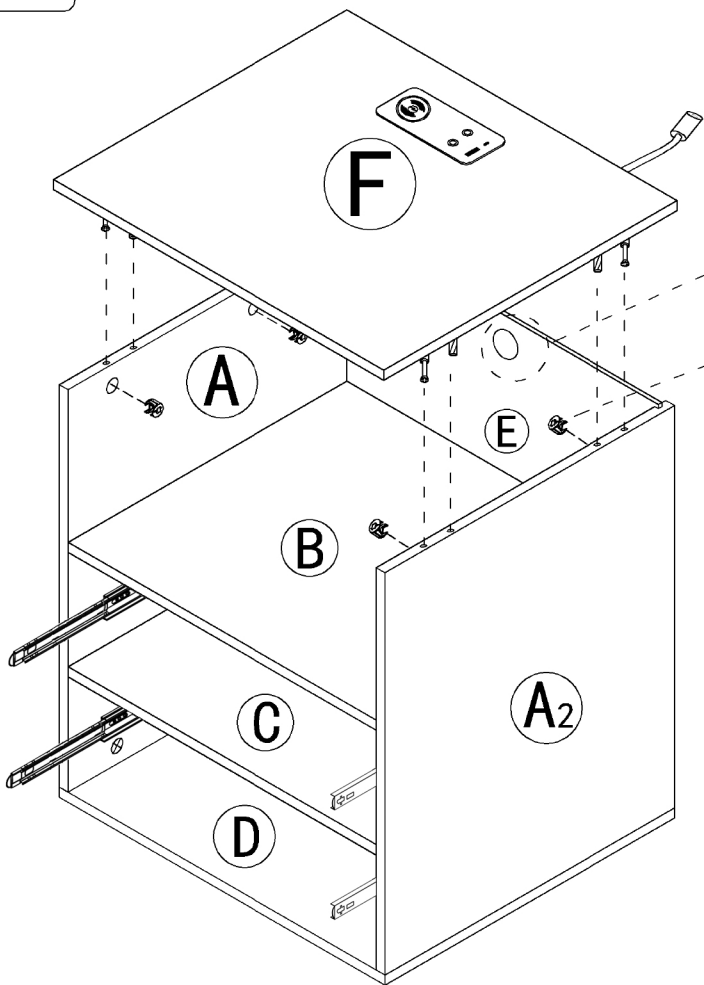
Step 11



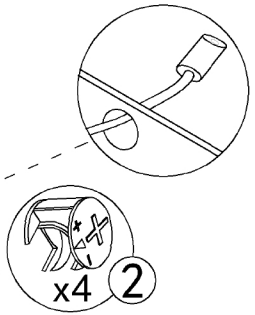
- 1 x4

- 3 x4

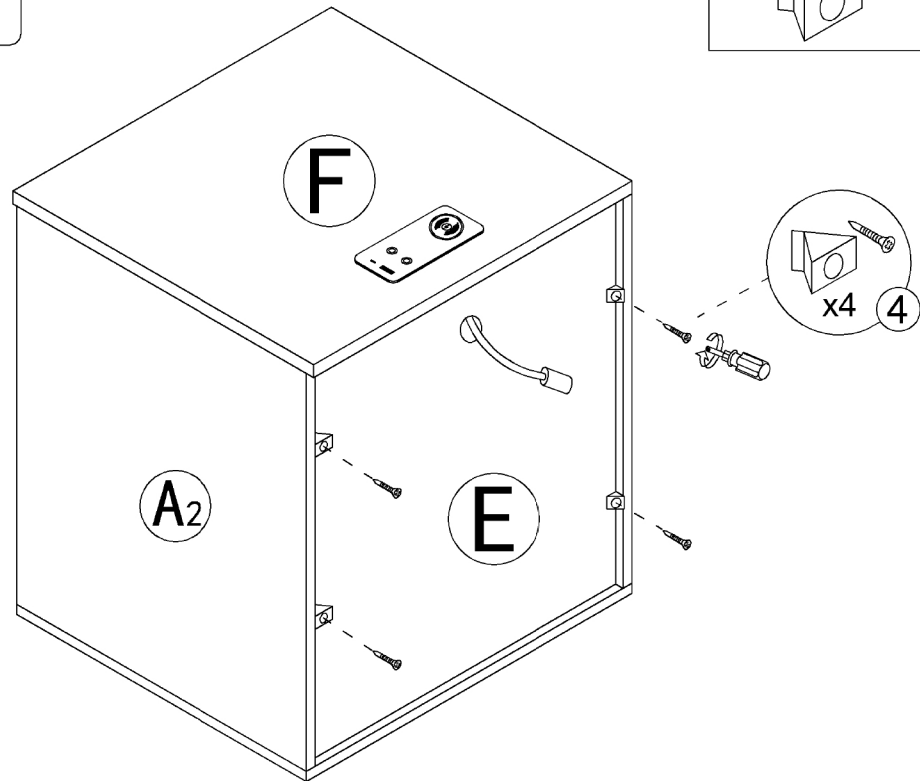
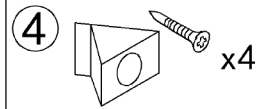
Step 12



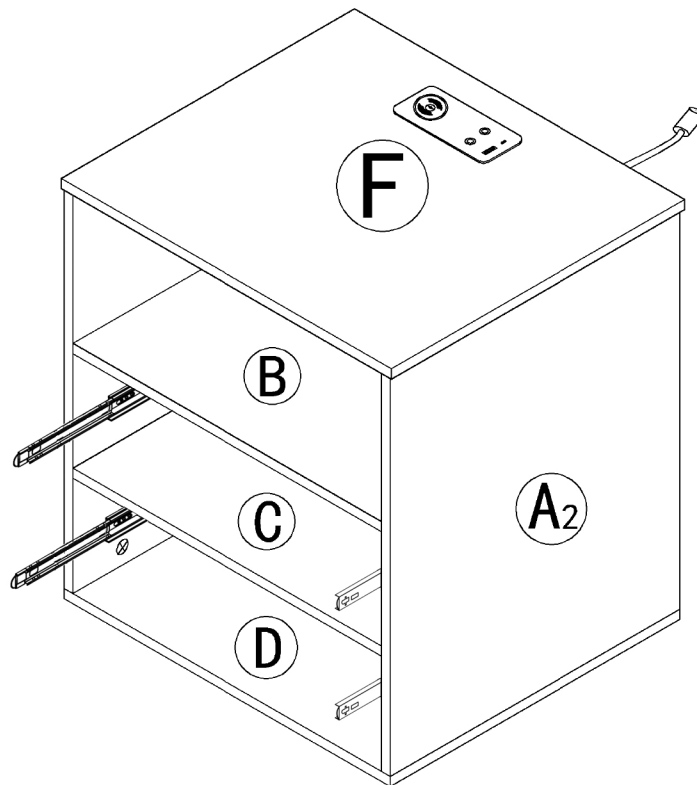
- 2 x4



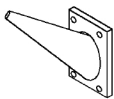
Step 13



Installation completion drawing

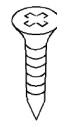


5

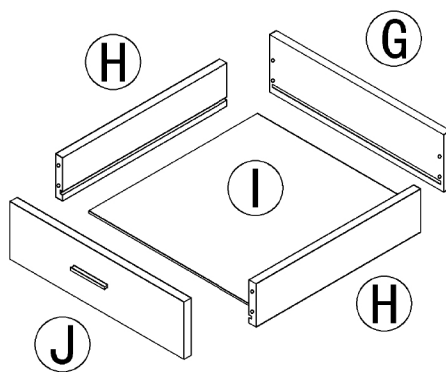
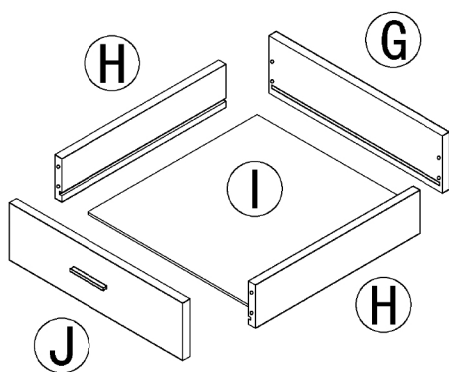
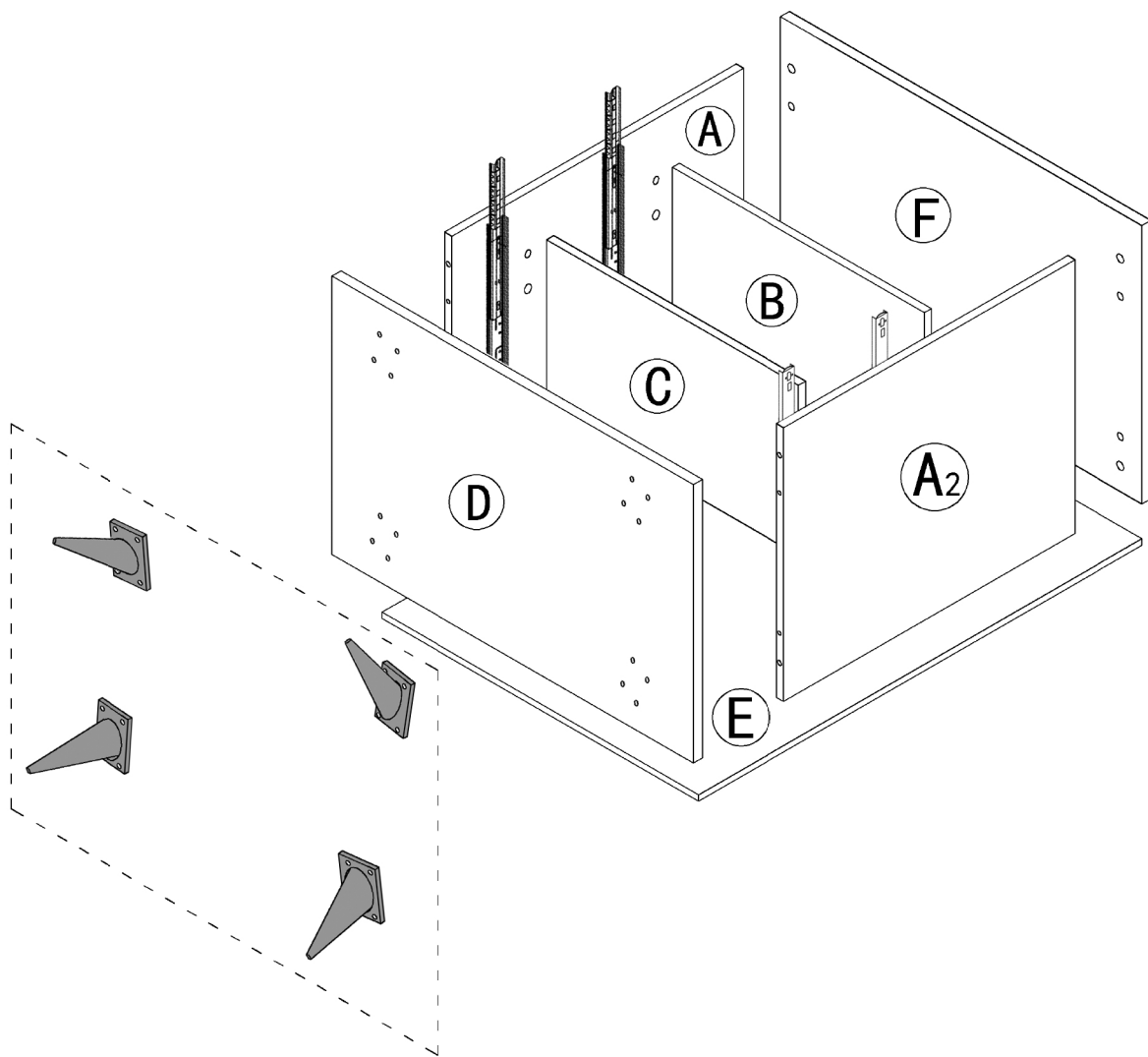


4pcs

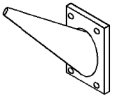
6



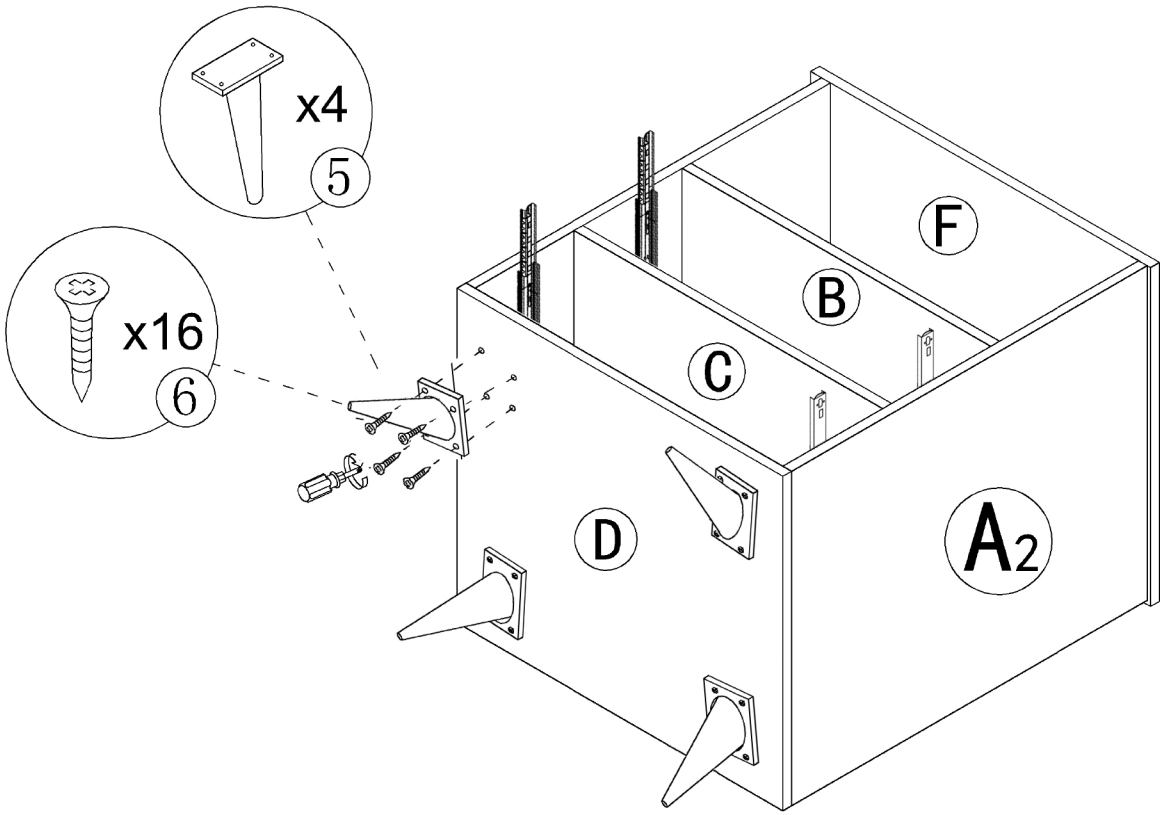
16pcs

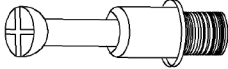
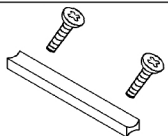

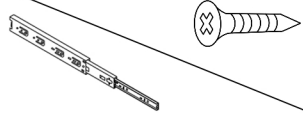
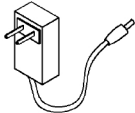


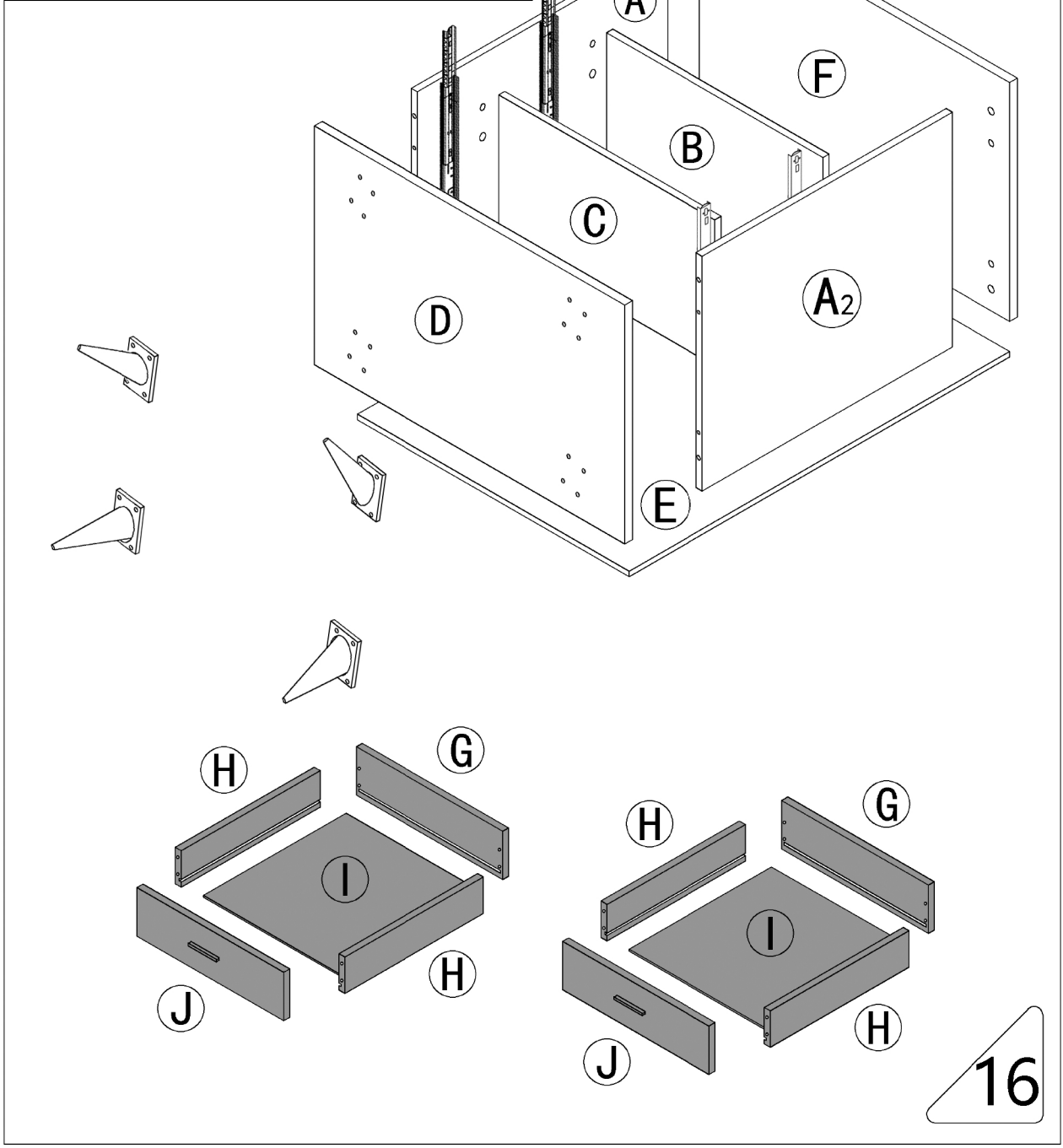
Step 14

5  x4

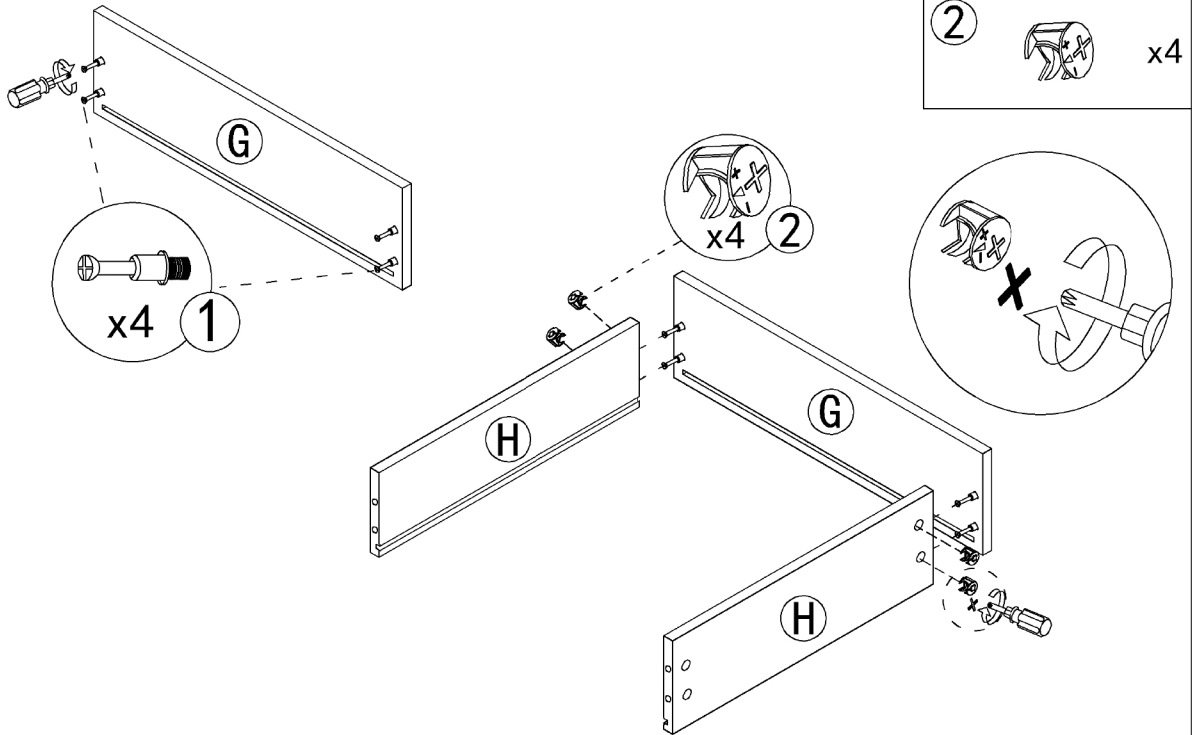
6  x16



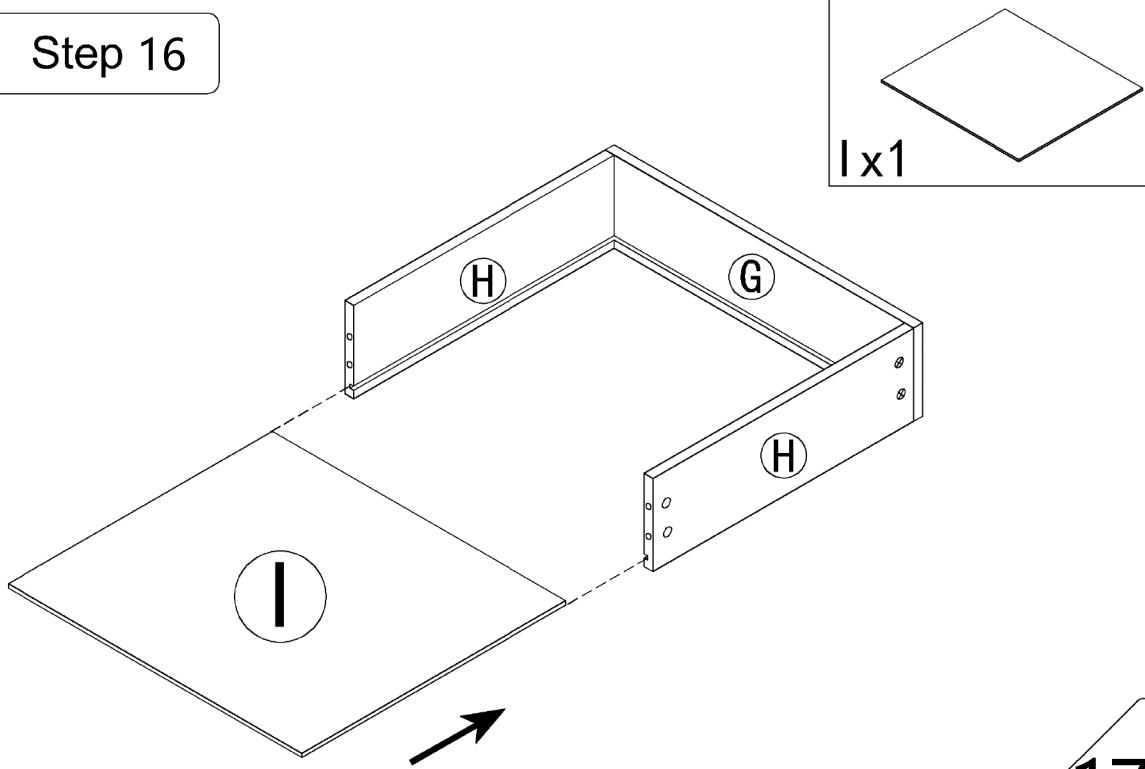
1		16pcs	7		2pcs
2		16pcs	8		16pcs 4pcs
		1pcs			



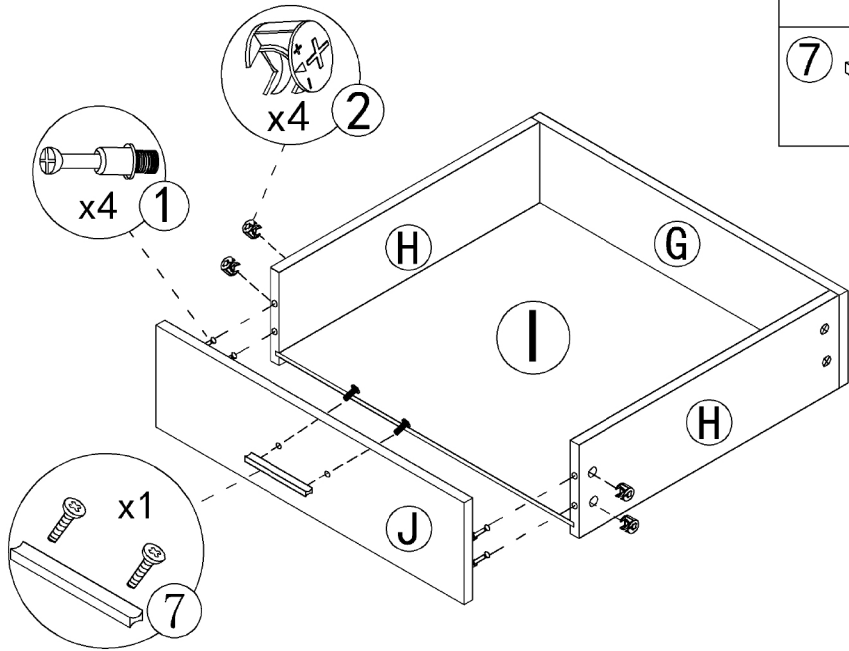
Step 15

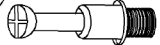

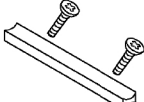


Step 16

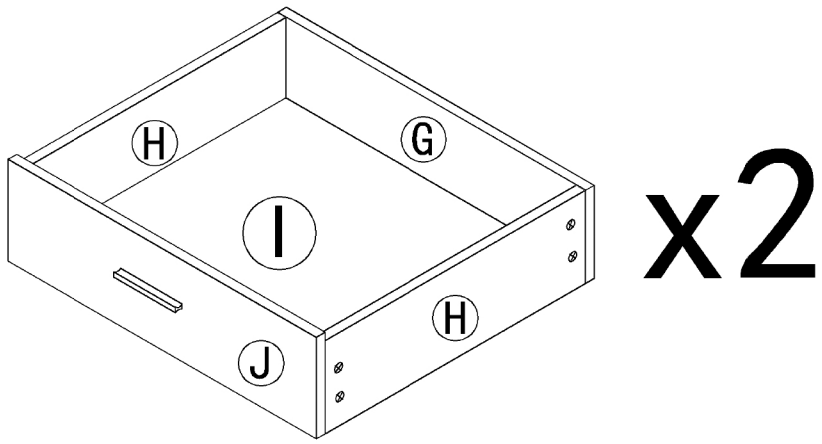


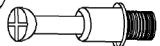

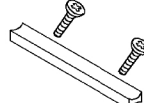
Step 17



- ①  x4
- ②  x4
- ⑦  x1

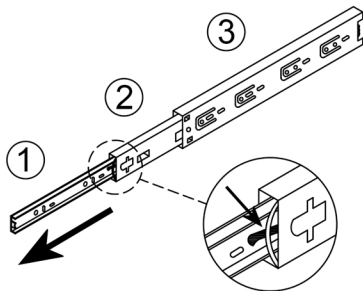
Step 18



- ①  x8
- ②  x8
- ⑦  x1

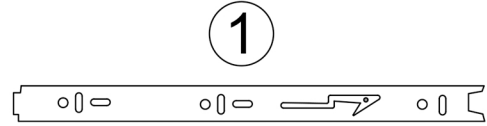
Use the same way to instalthe drawer

Drawer rail breakdown diagram



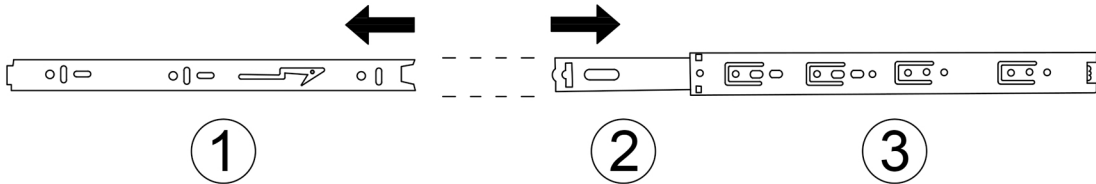
Step 1 : Pull the rails apart

Step 2 : Push the nylon buckle outward ①



②

③

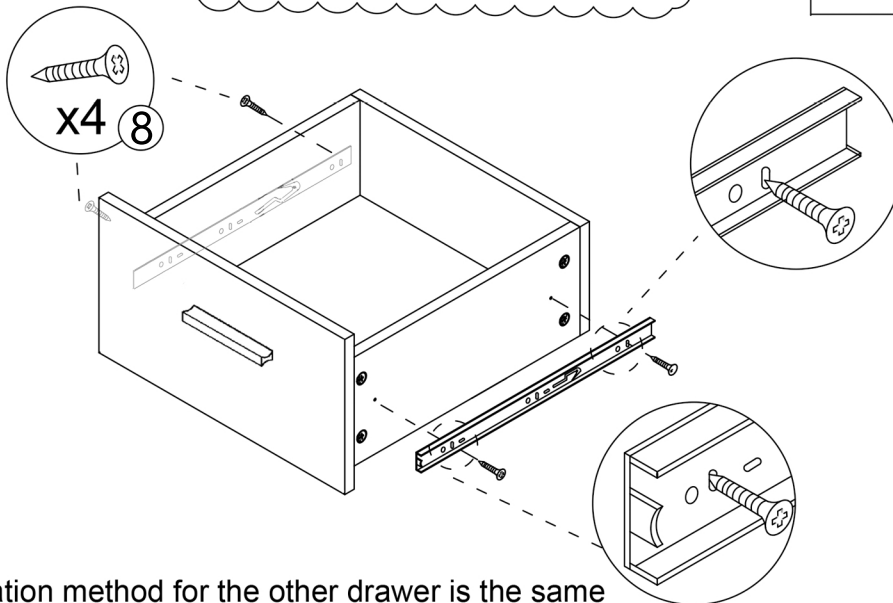
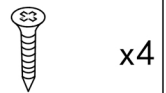
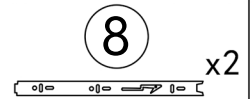
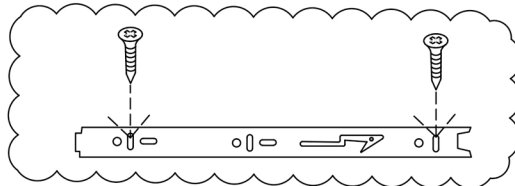


①

②

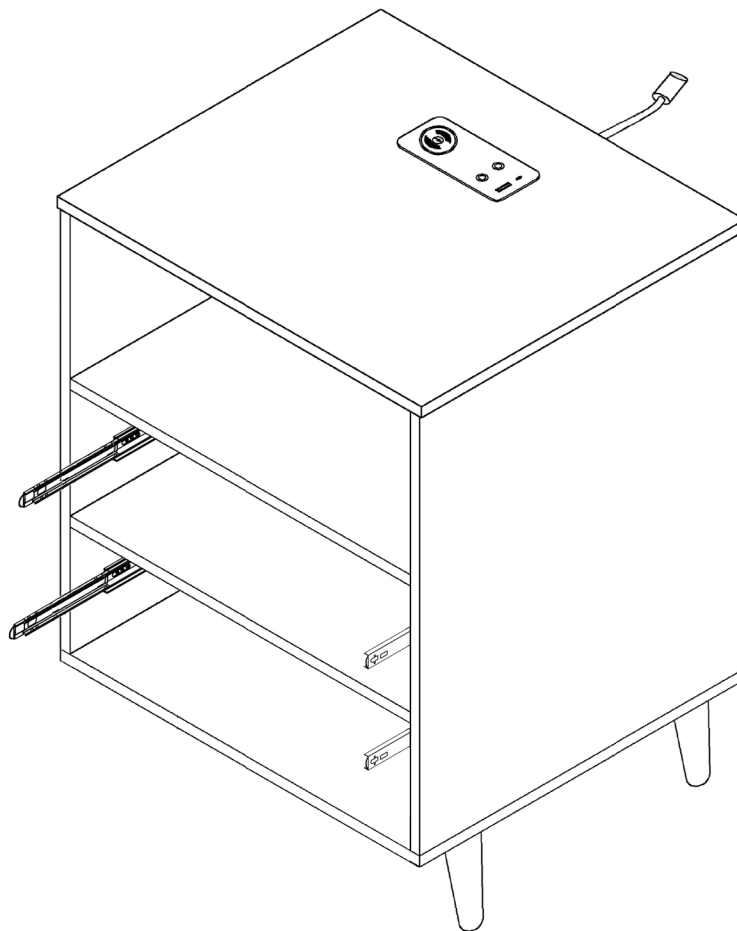
③

Step 19



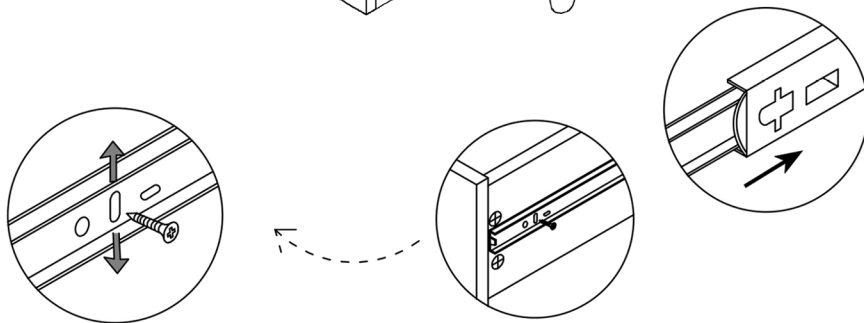
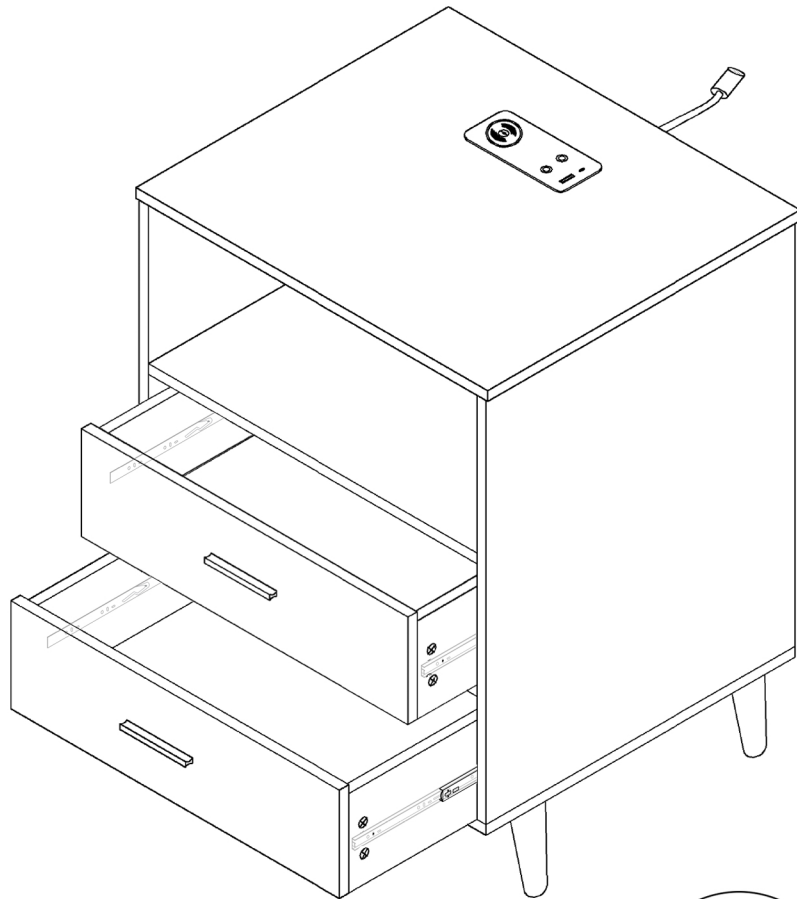
The installation method for the other drawer is the same

Step 20



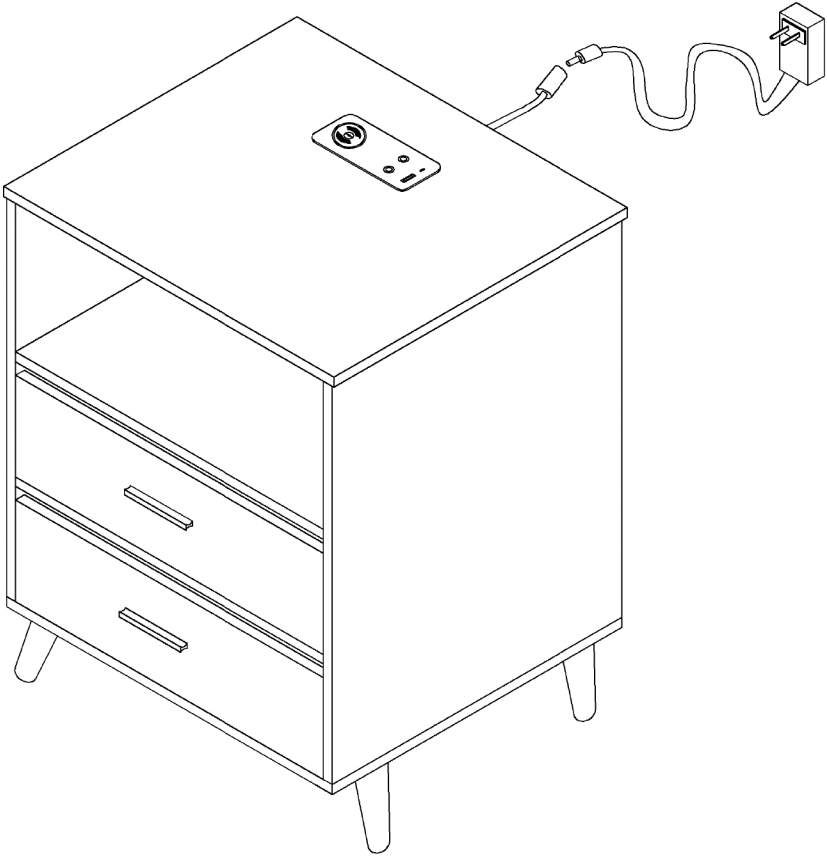
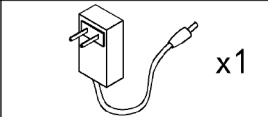
As shown, When installing the drawer,
pull the guide rail out first, Slide beads are also pulled out.

Step 21



If a large gap is found after installing the drawer the slide rail can be moved up and down to adjust the gap

Step 22





User's Guide

A5

Thank you for purchasing this product.

To use this product, please plug it into a 12V DC power supply.

Please use if the product works normally after connecting to power.

Introduction

The box is an intelligent controller. It has 1 USB port and 1 type-C port and can distribute the current output up to 5V DC-2A. With 2 touch buttons, it can turn ON/OFF the light, change light colors, and adjust the light luminance.

Operation



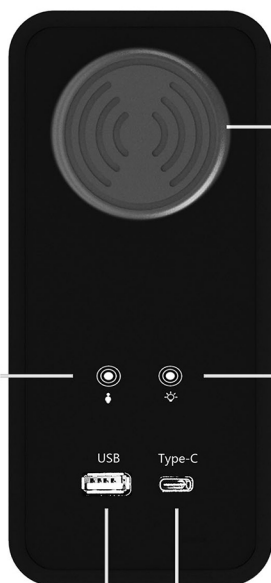
This touch button is used to turn on/off, change colors, and adjust brightness.

- A. Short touch -> lighting on -> short touch -> change light color -> short touch -> change light color -> short touch -> lighting off.
- B. Long touch -> adjust the luminance.



This touch button is used to turn on/off the induction function.

- A. Short touch to turn on the induction function. It can auto-turn on the light when people are close to the controller in 1 meters. It can auto power off the light when the body is far away from the controller after 30 seconds.
- B. Long touch to turn off the induction function.
- C. Note: When you touch the light button to change the light modes, the induction function will automatically turn off. It is best to turn on this function after selecting the light color and adjusting the brightness you want.



This range is a wireless charging area, and only mobile phones with wireless charging function can be charged.

Consumer Reminder: Important Notice for Wireless Charging Use

1, Phone-Only Wireless Charging: This device supports wireless charging for mobile phones only. Attempting to charge other electronic devices may result in danger.

2, Metal Warning: Ensure that no metal objects are placed between your phone and the wireless charger (this includes magnetic or metal phone cases).

If there are metal objects can interfere with charging or cause hazardous conditions.



ATTENTION PLEASE

- 1. If there is no touch response suddenly, Re-plug the power to reset the touch static electricity.
- 2. If you have any questions when installing, please feel free to contact us. Thank you.

Induction Button

Light Button

USB output port

Type-C output port