

# artos<sup>®</sup>

F902-27

INSTALLATION GUIDE

wall mount shower arm r+s

BRUSHED NICKEL(BN)



CHROME(CH)



BLACK (BK)



# artos<sup>®</sup>

F902-27

## OPERATING SPECIFICATIONS

wall mount shower arm r+s



### FEATURES

Solid Brass

### INLET/OUTLET

1/2" Male NPT- Wall Connections

### APPROVALS

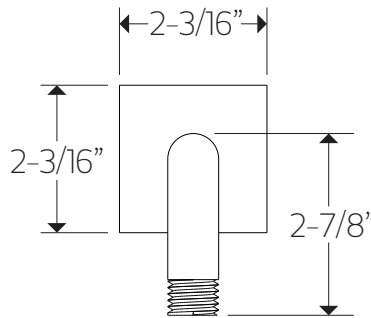
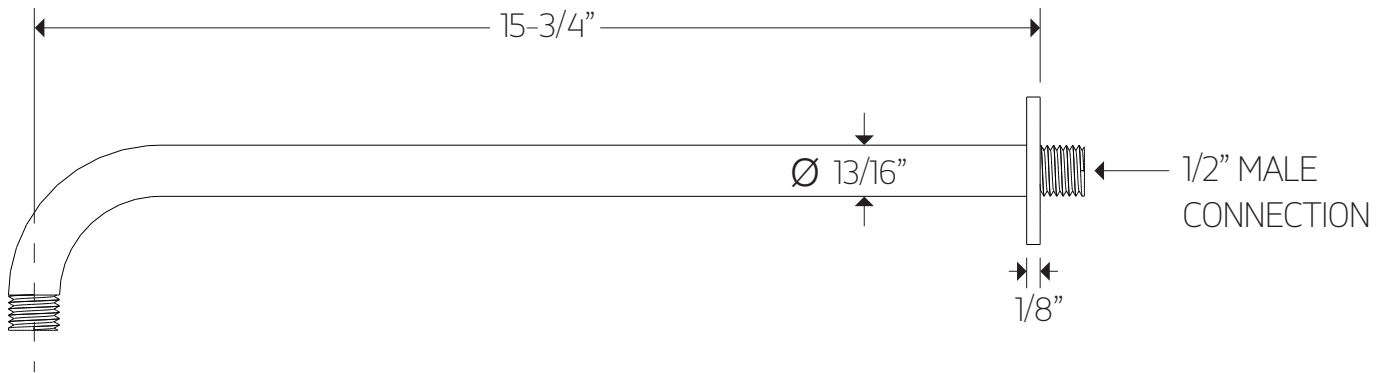


# artos<sup>®</sup>

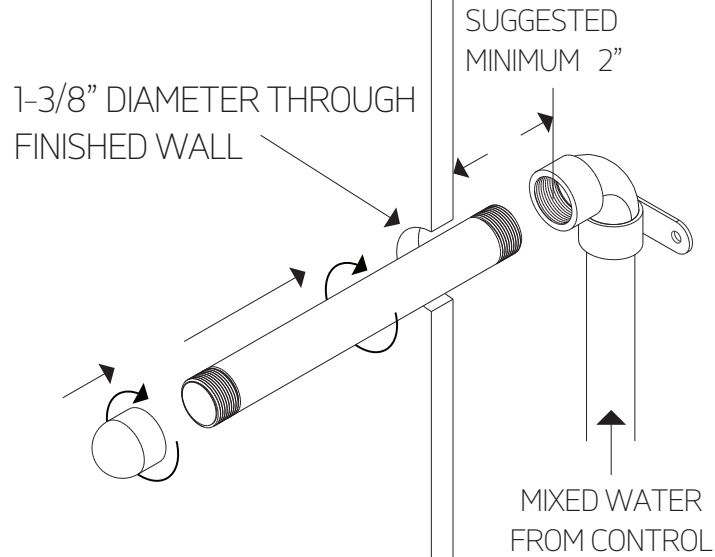
F902-27

## PRODUCT DIMENSIONS

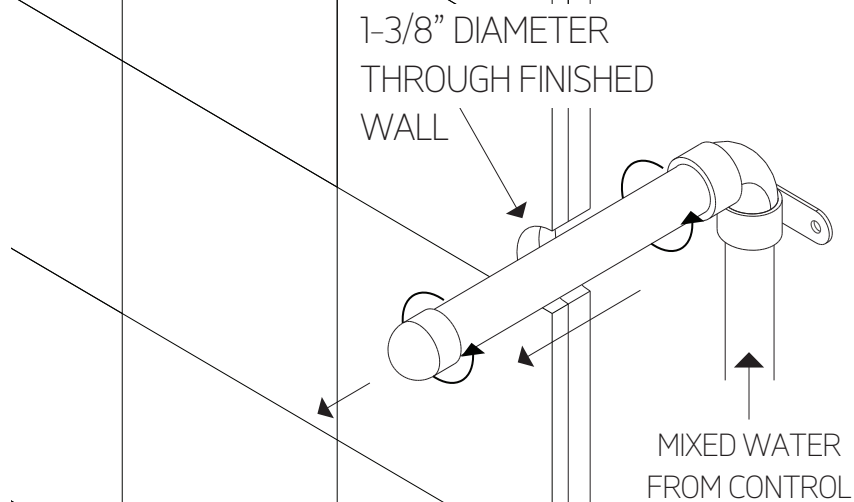
wall mount shower arm r+s



### STEP 1

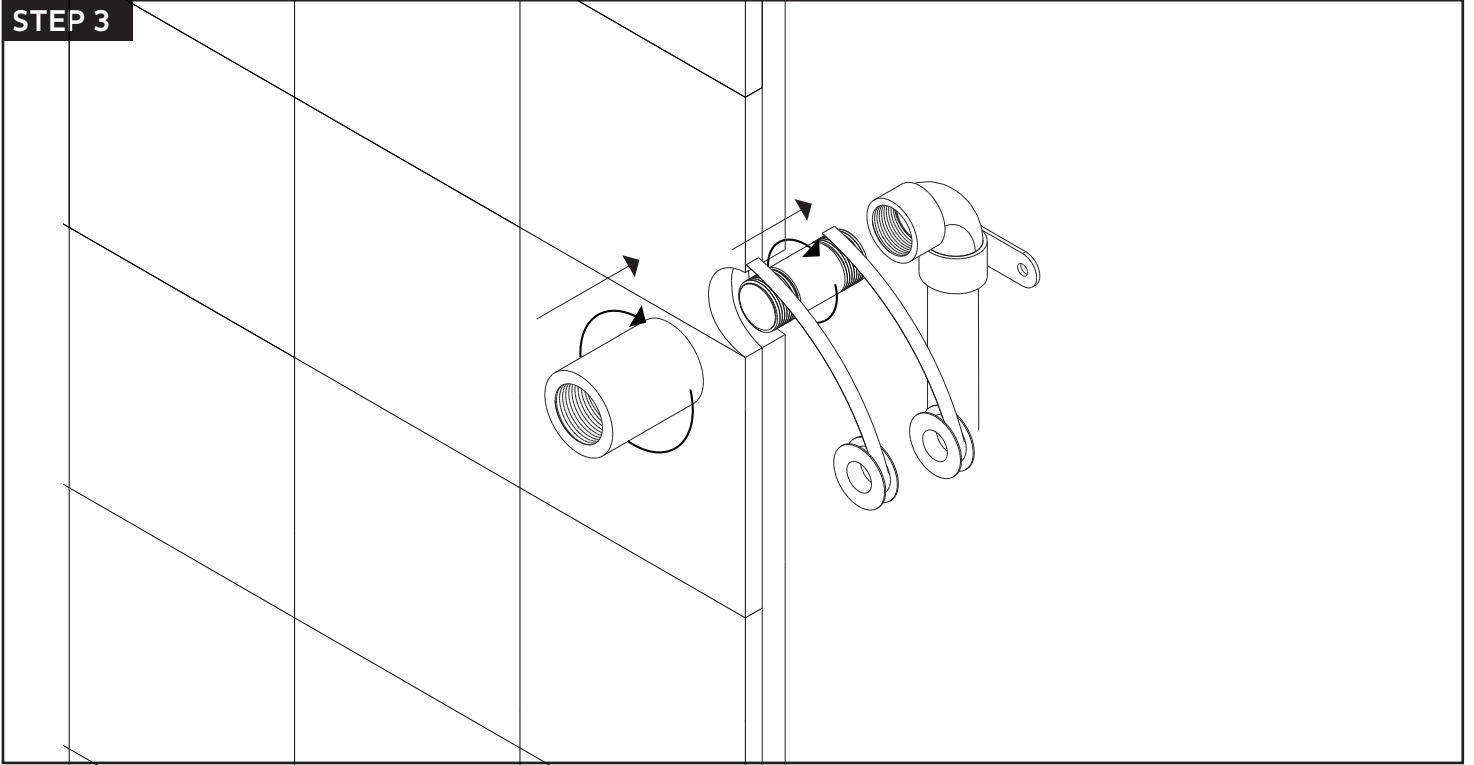


### STEP 2

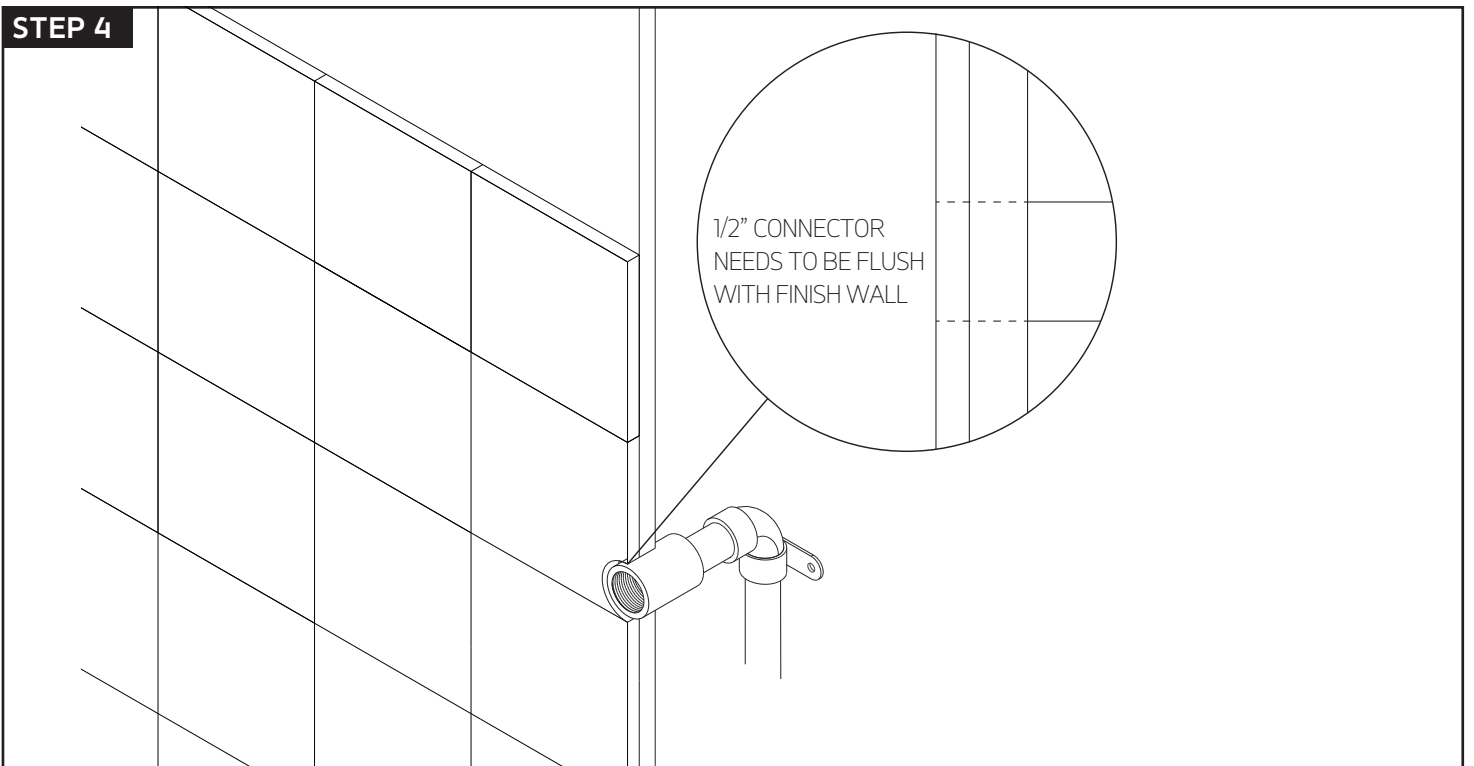


# INSTALLATION STEPS

## STEP 3



## STEP 4

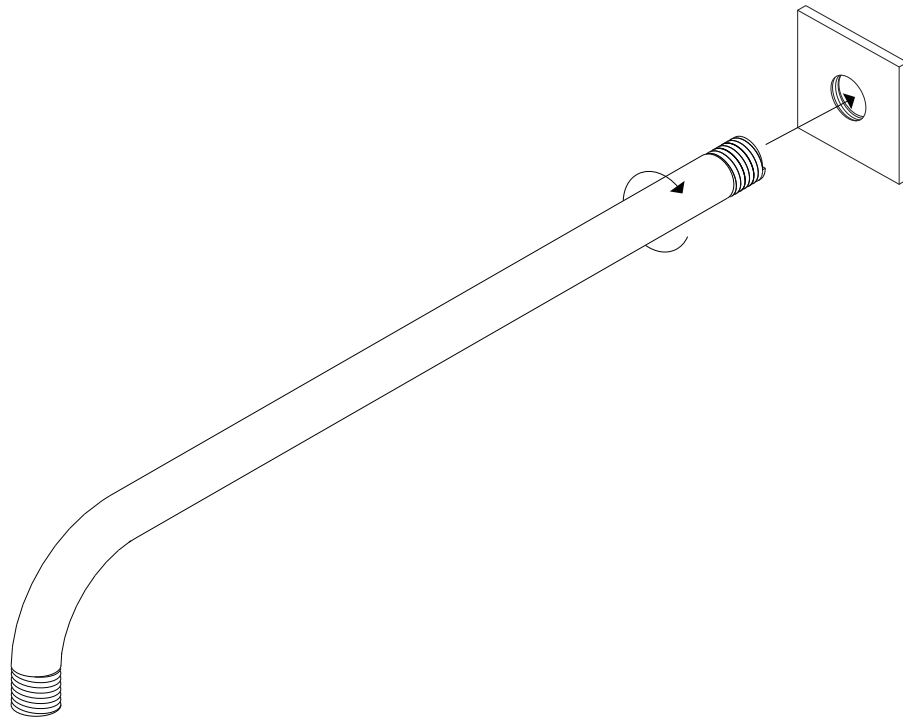


# artos<sup>®</sup>

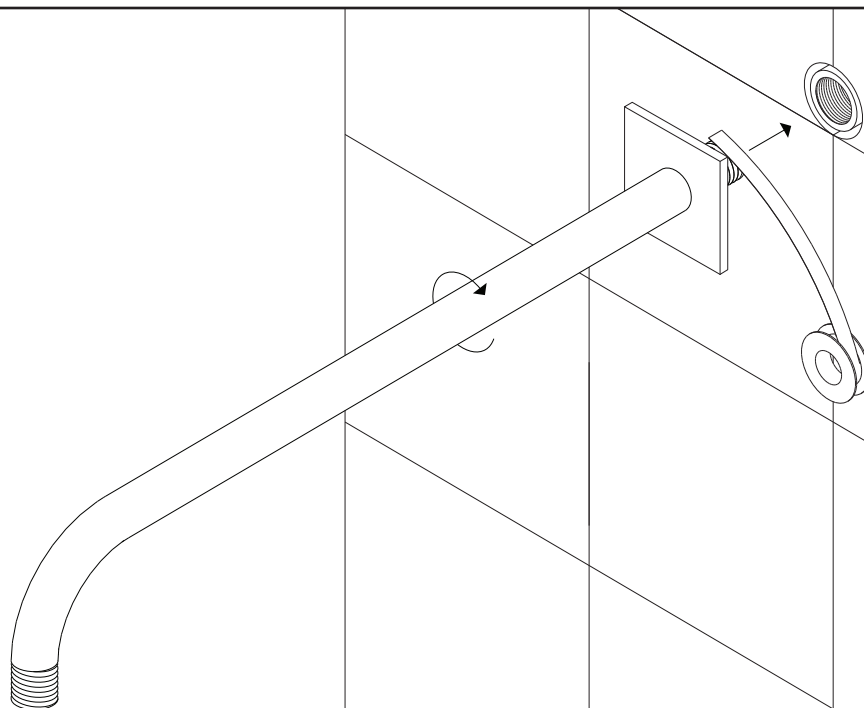
## F902-27

wall mount shower arm r+s

**STEP 5**

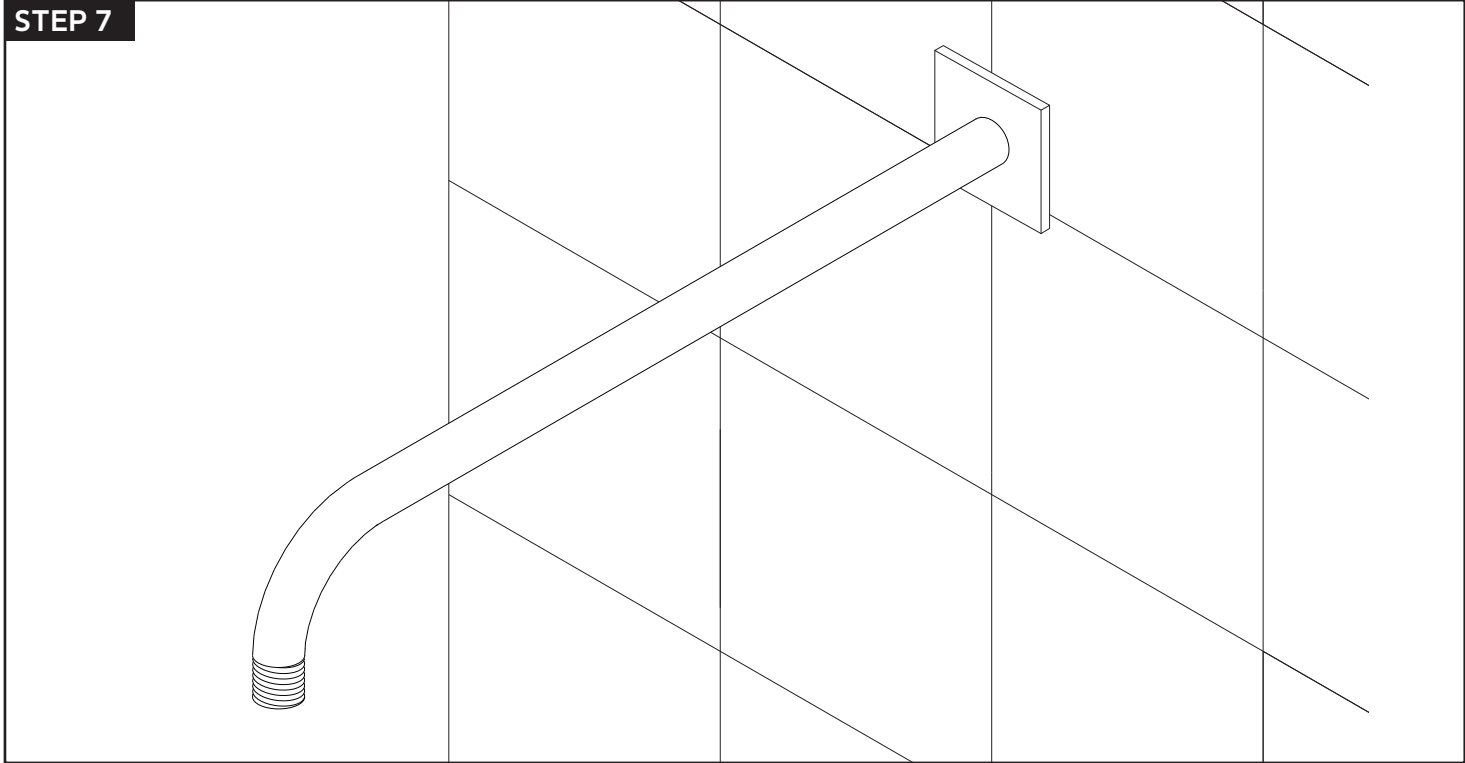


**STEP 6**



**INSTALLATION STEPS**

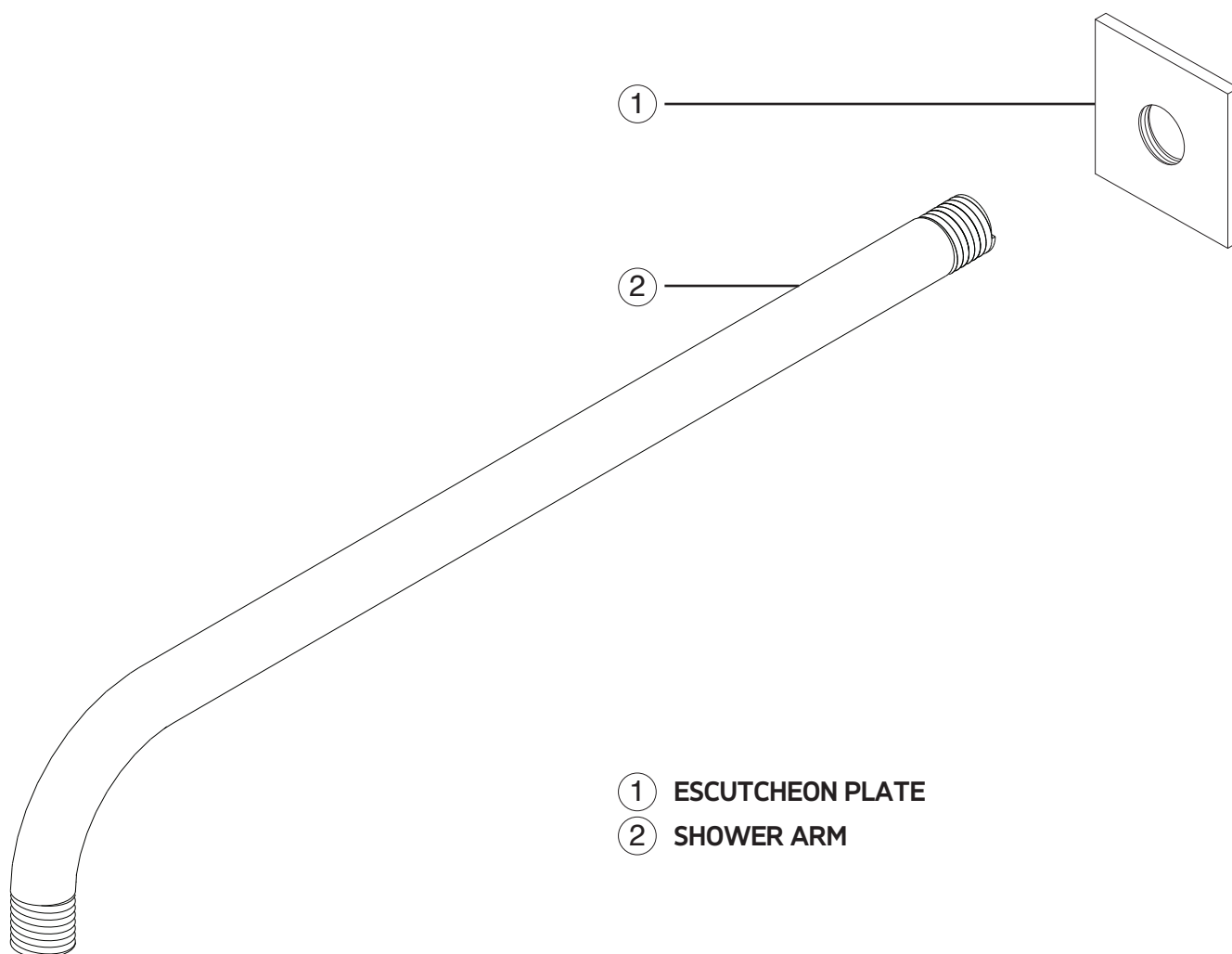
**STEP 7**



# artos<sup>®</sup>

F902-27

wall mount shower arm r+s



- ① ESCUTCHEON PLATE
- ② SHOWER ARM