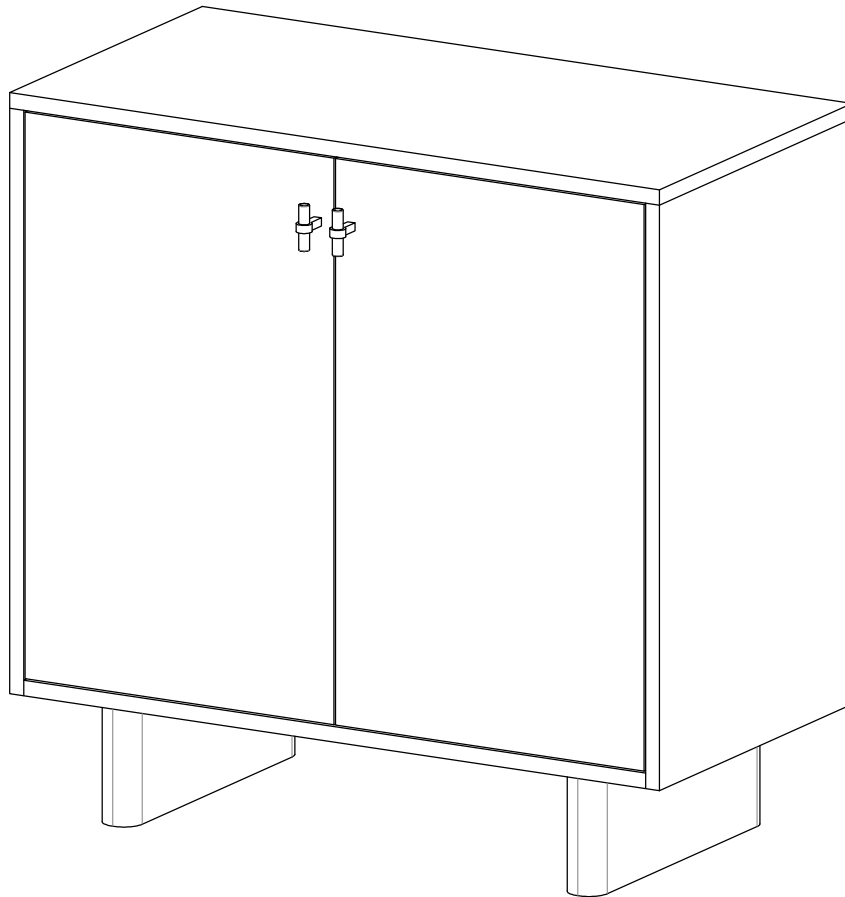


# ASSEMBLY INSTRUCTION FOR SMALL CABINET

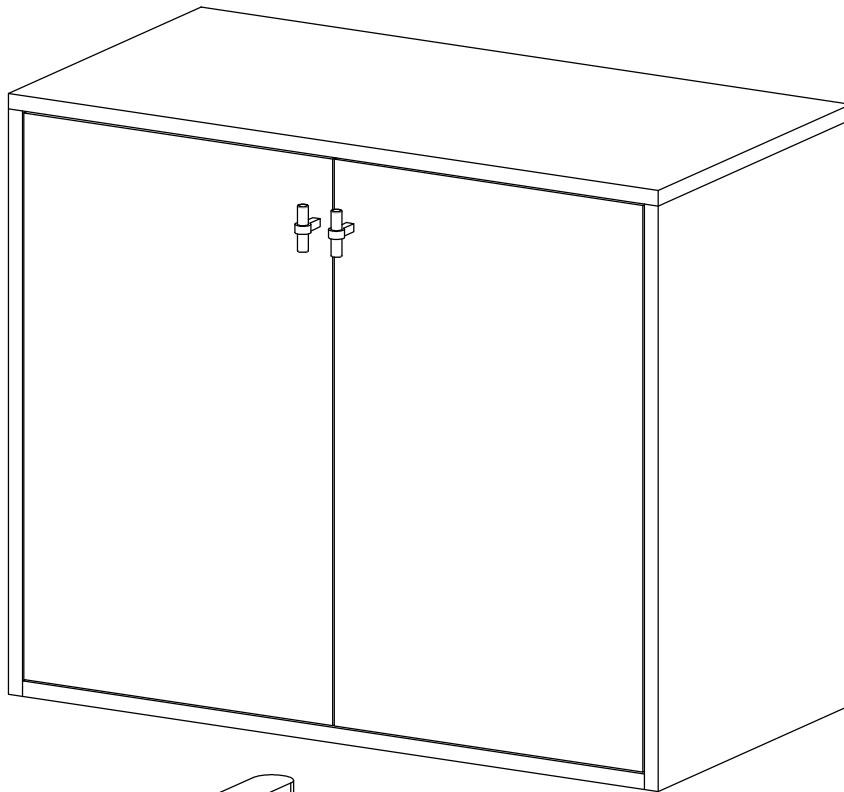
## HARDWARE LIST

A		Bolt	M8 x 50mm	4
B		Bolt	M8 x 120mm	2
C		Washer	8 x 16mm	6
D		Lock Washer	8 mm	6
E		Allen Key	5mm	1

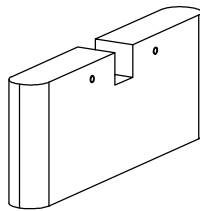


# COMPONENTS

1



2



2

