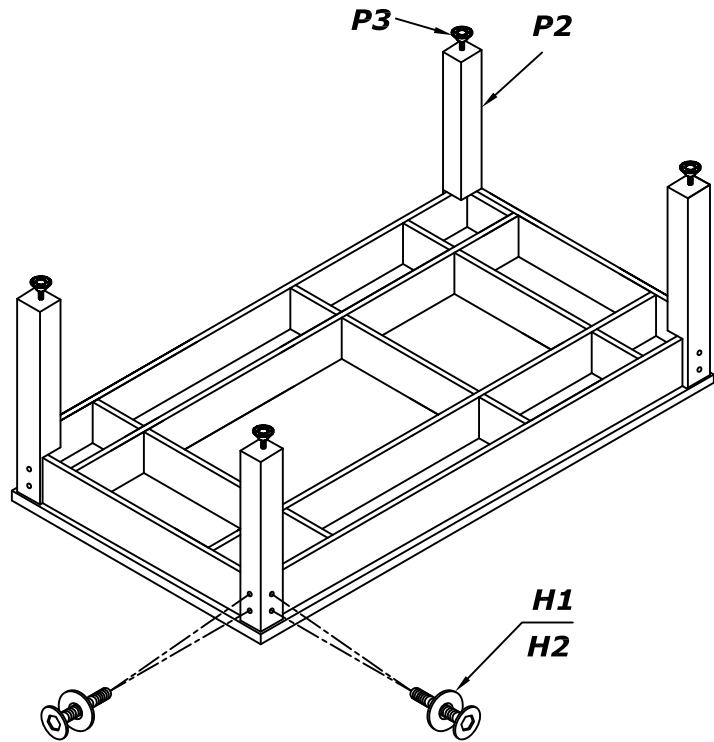


ASSEMBLY INSTRUCTIONS

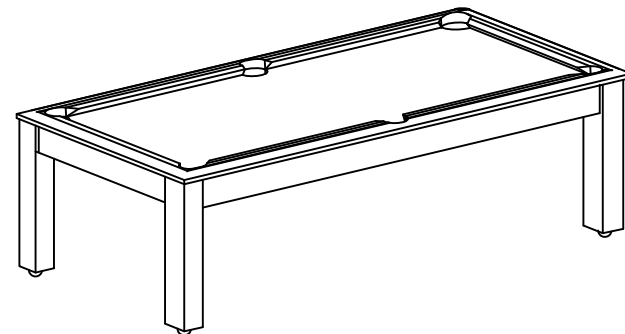
POOL TABLE ASSEMBLY

WARNING: TWO ADULTS NEEDED TO ASSEMBLE POOL TABLE

1. SELECT A CLEAR LEVEL SPOT TO ASSEMBLE YOUR BILLIARD TABLE.
2. ATTACH EACH LEG **P2** TO THE TABLE WITH BOLTS **H1** AND WASHERS **H2**.
3. ATTACH THE LEG LEVELERS **P3** AS SHOWN IN **FIGURE** .

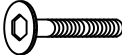



POOL TABLE ASSEMBLY INSTRUCTIONS

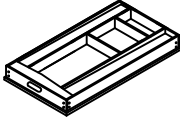




PARTS IDENTIFIER

HARDWARE (ACTUAL SIZE MAY VARY)



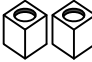

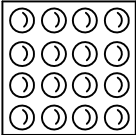

		<i>DESCRIPTION</i>	<i>QTY</i>
	H1	5/16" BOLT	16
	H2	5/16" WASHER, FLAT BLACK	16

ASSEMBLY PARTS (ACTUAL SIZE MAY VARY)

	P1	MAIN CABINET	1
	P2	LEG	4
	P3	LEG LEVELER	4

PARTS IDENTIFIER

ACCESSORIES

		<i>DESCRIPTION</i>	<i>QTY</i>
	A1	CUE STICK	2
	A2	TRIANGLE	1
	A3	CHALK	2
	A4	BRUSH	1
	A5	BILLARD SET	1
	A6	ALLEN WRENCH	1