

**INSTRUCTION MANUAL/BEDIENUNSANLEITUNG/  
NOTICE D'UTILISATION/MANUAL DE INSTRUCCIONES**

**Rosen 3 seater sofa &  
Storage bench**



**WARNING!**

Adults assembly required. During assembly, keep all parts away from children. Check regularly to ensure all fasteners are tight.



**WARNUNG!**

Die Montage ist von Erwachsenen durchzuführen. Halten Sie während der Montage alle Teile von Kindern fern. Überprüfen Sie regelmäßig den festen Sitz der Schrauben.



**Attention!**

Montage à effectuer par des adultes. Pendant le montage, tenez les éléments éloignés des enfants. Vérifiez régulièrement que toutes les vis soient serrées.





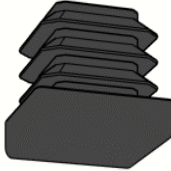
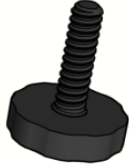


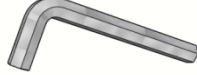
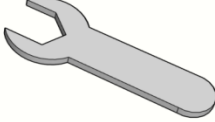
**Atención!**

Se requiere que el montaje sea llevado a cabo por un adulto. Durante el montaje, mantenga todas las piezas fuera del alcance de los niños. Verifique regularmente que todos los tornillos estén correctamente apretados.

**Information: Cushions and rain covers can be found under stools or armrests.**

**Parts List/Stückliste/Parts List/Listado de piezas:**

<p><b>RS-1026</b></p> <p>1pc</p>	<p><b>RS-1007</b></p> <p>1pc</p>	<p><b>RS-1059</b></p> <p>1pc</p>	
<p><b>RS-1009</b></p> <p>1pc</p>	<p><b>RS-1010</b></p> <p>1pc</p>	<p><b>RS-1017</b></p> <p>1pc</p>	
<p><b>RS-1018</b></p> <p>2pcs</p>	<p><b>RS-1019</b></p> <p>1pc</p>	<p><b>RS-1020</b></p> <p>1pcs</p>	<p><b>RS-1021</b></p> <p>1pc</p>
<p><b>RS-1202</b></p> <p>4pcs(May inside arms or stools)</p>	<p><b>RS-1203</b></p> <p>1pc(May inside arms or stools)</p>	<p><b>RS-1206</b></p> <p>1pc(May inside arms or stools)</p>	<p><b>S-1004(M6*35)</b></p> <p>10pcs</p>

<p><b>S-1006(M6*45)</b></p>  <p>17pcs(2 for spare)</p>	<p><b>S-1003(M6)</b></p>  <p>1pc</p>	<p><b>F-1001(Installed)</b></p>  <p>4pcs</p>	<p><b>S-1005(Installed)</b></p>  <p>8pcs</p>
<p><b>S-1002(M6)</b></p>  <p>6pcs</p>	<p><b>S-1013(M6*55)</b></p>  <p>6pcs</p>	<p><b>T-1001(M6)</b></p>  <p>1pc</p>	<p><b>T-1002(M6)</b></p>  <p>1pc</p>

RETAIN FOR FUTURE REFERENCE

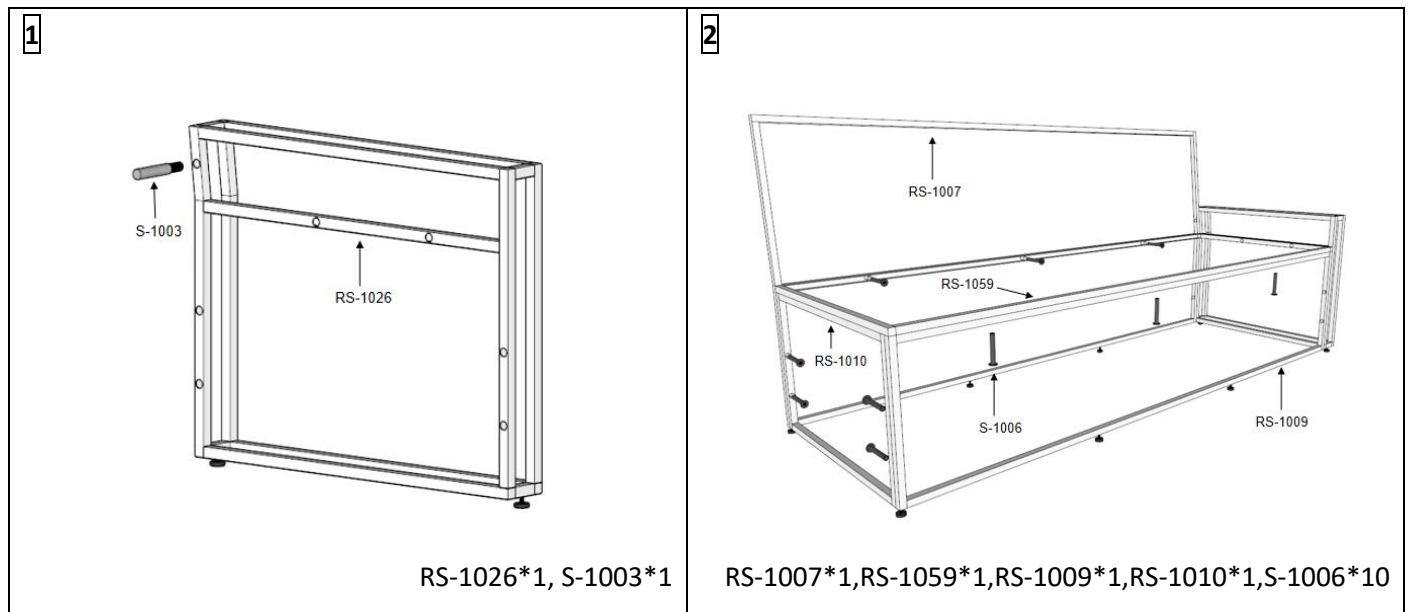
FÜR KÜNFTIGE VERWENDUNG AUFBEWAHREN

A CONSERVER POUR UNE UTILISATION FUTURE

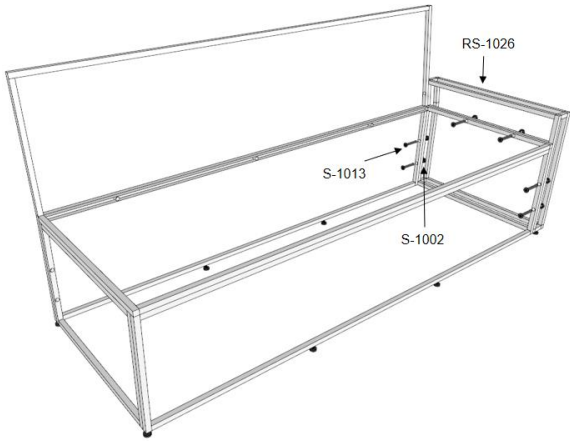
CONSERVAR PARA SER LEÍDO POR CADA NUEVO USUARIO, ANTES DE UTILIZAR EL ARTÍCULO POR PRIMERA VEZ

Assembly/Montage/Assemblage/Montaje:

- 3 seater sofa

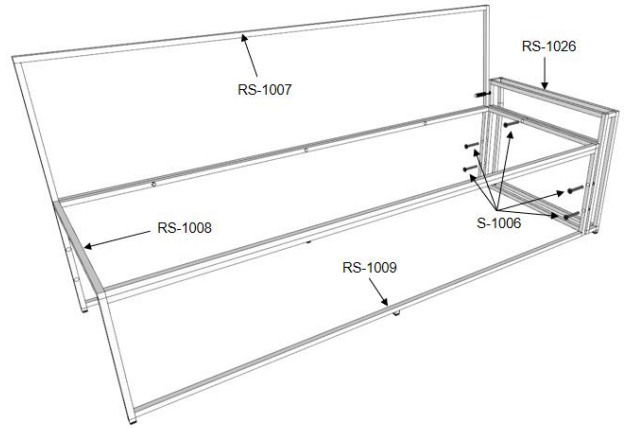


3



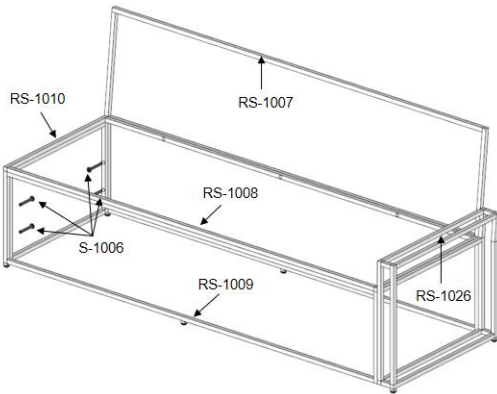
RS-1026\*1, S-1013\*6, S-1002\*6

4



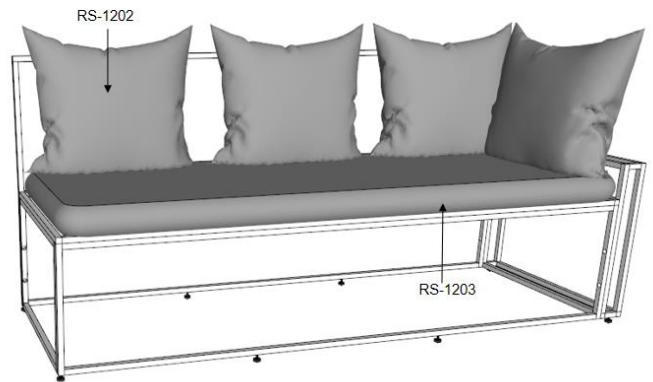
RS-1026\*1, S-1006\*5

5



RS-1010\*1, S-1006\*4

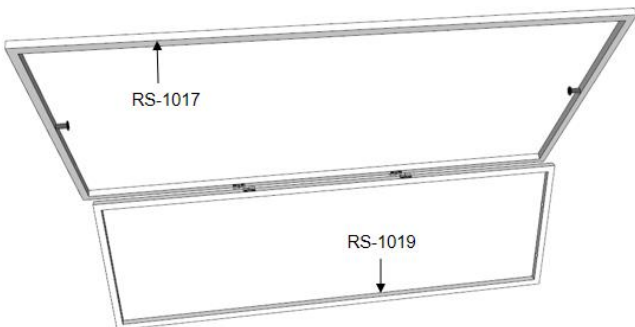
6



RS-1202\*4, RS-1203\*1

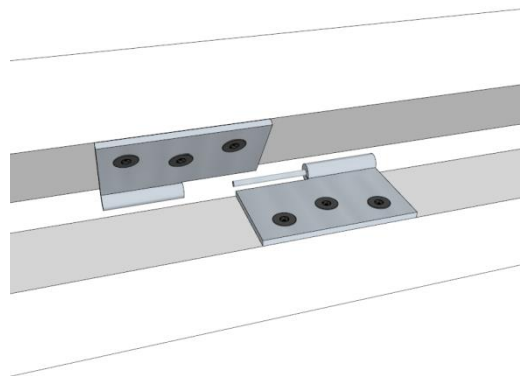
● Storage bench

1

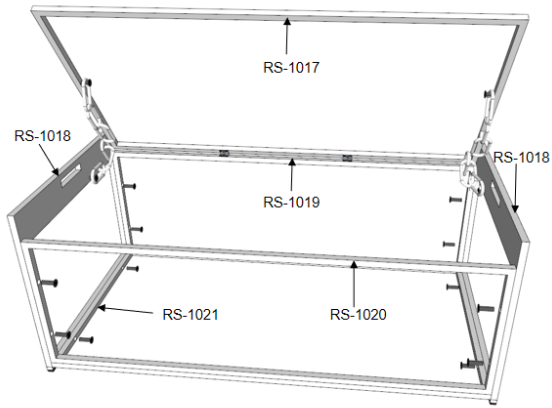


RS-1017\*1, RS-1019\*1

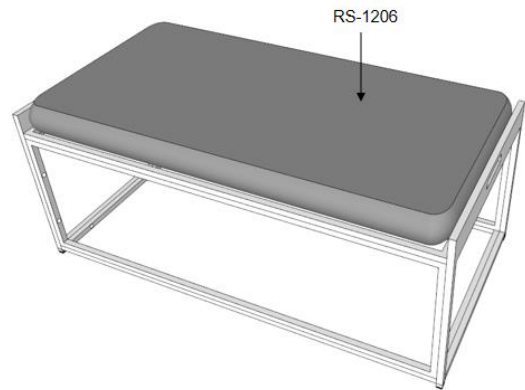
2



Detail of step 1

**3**

RS-1018\*2, RS-1020\*1, RS-1021\*1, S-1004\*12

**4**

RS-1206\*1

Tight all the screws to 60% first then tight to 100%.

Während der Montage alle Schrauben zuerst 60% anziehen, dann zu 100%.

Serrez toutes les vis à 60% d'abord puis serrez à 100%.

Primero apriete los tornillos al 60% y después al 100%.

## CARE AND SAFETY GUIDELINES

Rattan sofa sets aren't as difficult and high maintenance as other garden furniture. We suggest covering rattan furniture with our rain covers to prevent wear and tear and increase its life span. Upgrading to rattan furniture has so many advantages compared to other types of garden furniture and one of them is the fact that they're low-maintenance. All our PVC rattan furniture are water resistant for light rain.

Cleaning rattan furniture is as easy as one, two, three. Fill a bucket with warm water, fairy liquid and gently scrub the furniture with a cloth. This method would be ideal to pick up dust and liquid stains. We'd also suggest using a garden hose or jet wash to remove dirt and grime. We highly recommend using the lowest power on the jet wash at the far distance to prevent wear and tear.

For another simple yet cost effective method would be with a soft bristled brush to dust of any little bit sand pieces in between each weave. Cleaning rattan furniture every so often is important as dirt could accumulate and create bacteria.

Glass topped tables can be easily cleaned with cleaning products and newspaper to prevent line marks compared to a cloth.






All our cushions are waterproof and washable, it's recommended to hand wash cushion covers. Finally, we'd also highly recommend not to use any chemical substances on all rattan surfaces.

For assistance with assembly, or to request replacement parts, log onto our website or call Customer Service.  
**DO NOT RETURN THE PRODUCT TO THE STORE.**

Si vous avez besoin d'aide pour le montage, ou pour demander des pièces de rechange, connectez-vous sur notre site Web ou appelez le service à la clientèle. **NE RETOURNEZ PAS LE PRODUIT AU MAGASIN.**

Para obtener ayuda sobre el montaje o para solicitar piezas de repuesto, conéctese a nuestra página web o llame a Atención al cliente. **NO DEVUELVA EL PRODUCTO A LA TIENDA.**

Wenn Sie Hilfe beim Aufbau oder Ersatzteile benötigen, melden Sie sich auf unserer Webseite an oder rufen Sie unseren Kundenservice an. **GEBEN SIE DAS PRODUKT NICHT IM GESCHÄFT ZURÜCK.**

   <p>Cushions should be stored dry when the set is not in use. The life span of your cushions will reduce significantly if they are left exposed to the elements.</p>	  <p>Keep your garden set away from sources of extreme heat and naked flames. This includes direct sunlight and firepits.</p>
---	--

**INSTRUCTION MANUAL/BEDIENUNGSANLEITUNG/  
NOTICE D'UTILISATION/MANUAL DE INSTRUCCIONES**

**Rectangle fire pit Table**



**WARNING!**

Adults assembly required. During assembly, keep all parts away from children. Check regularly to ensure all fasteners are tight.



**WARNUNG!**

Die Montage ist von Erwachsenen durchzuführen. Halten Sie während der Montage alle Teile von Kindern fern. Überprüfen Sie regelmäßig den festen Sitz der Schrauben.



**Attention!**

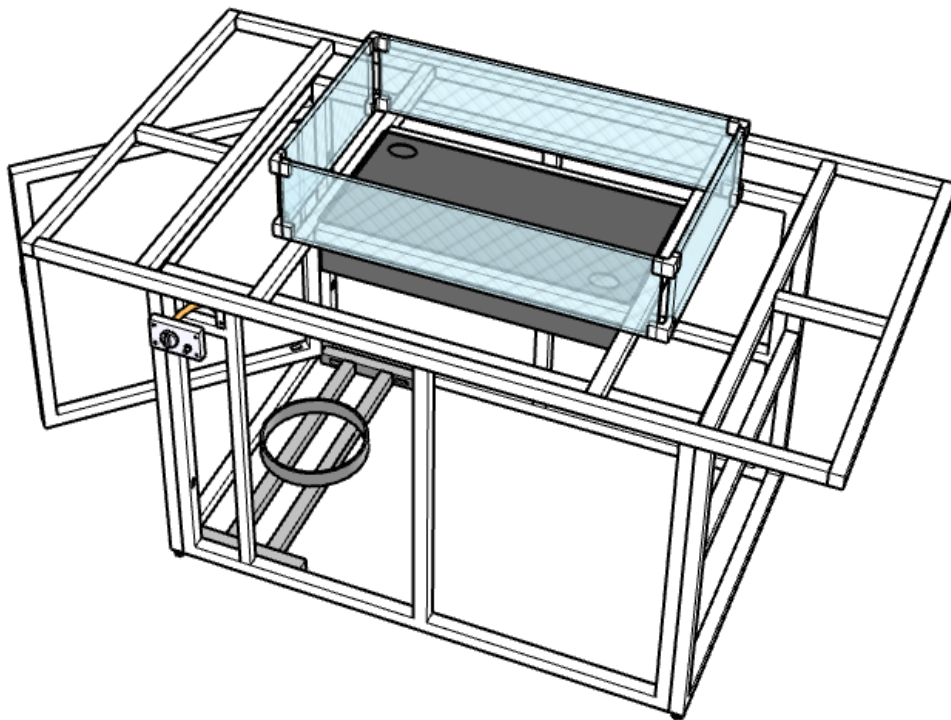
Montage à effectuer par des adultes. Pendant le montage, tenez les éléments éloignés des enfants. Vérifiez régulièrement que toutes les vis soient serrées.



**Atención!**

Se requiere que el montaje sea llevado a cabo por un adulto. Durante el montaje, mantenga todas las piezas fuera del alcance de los niños. Verifique regularmente que todos los tornillos estén correctamente apretados.

**Information: Cushions and rain covers can be stored under stools or armrests.**



**RETAIN FOR FUTURE REFERENCE**

**FÜR KÜNFTIGE VERWENDUNG AUFBEWAHREN**

**A CONSERVER POUR UNE UTILISATION FUTURE**

**CONSERVAR PARA SER LEÍDO POR CADA NUEVO USUARIO, ANTES DE UTILIZAR EL ARTÍCULO POR PRIMERA VEZ**



## **PRIOR TO USE:**



### **Danger**

#### **If you smell gas:**

1. Shut off gas to the appliance.
2. Extinguish any open flame.
3. If odor continues, contact your gas canister supplier immediately. If there is a fire, contact the emergency services.



### **Warning**

Improper installation, adjustment alteration, service or maintenance can cause injury or property damage. Read the installation, operating and maintenance instructions thoroughly before installing or servicing this equipment. If the information in this manual is not followed exactly, a fire or explosion may result causing property damage, personal injury or loss of life.



### **Warning**

Do not store or use gasoline or other flammable vapors and liquids in the vicinity of this or any other appliance.

A liquid propane cylinder not connected for use should not be stored in the vicinity of this or any other appliance.



### **Warning**

#### **For Outdoor Use Only**

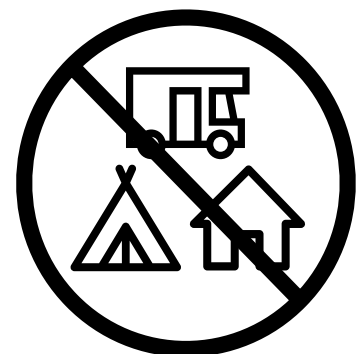
FOR USE WITH 11LB (5KG) PROPANE CYLINDER WITH TYPE 1 CONNECTION OR FOR USE WITH NATURAL GAS AFTER CONVERSION KIT (NOT INCLUDED) IS INSTALLED (MUST BE PROFESSIONALLY INSTALLED) ALSO THE LIQUID PROPANE REGULATOR MUST BE SUPPLIED BY THE MANUFACTURER.



### **Warning**

#### **CARBON MONOXIDE HAZARD**

This appliance can produce carbon monoxide which has no odor. Using it in an enclosed space can kill you. Never use this appliance in an enclosed space such as a camper, tent, car or home.



We recommend 2 people to build this product.

**Before assembling or operating this firepit unit, please take time to carefully read this manual. Failure to do so may result in a fire, explosion, injury or death.**

#### **UNIT FOR OUTDOOR USE ONLY**

- This product is designed for use outdoors in a well ventilated space and shall not be used in any enclosed area.
- This unit is to be used with propane bottled gas only (sold separately)
- DO NOT attach this unit to mains gas supply.
- Do not use any solid fuel or charcoal for this unit.
- When igniting this unit, stay away from the burner as the flame will light up and may cause injury.
- LP GAS WARNING: Do not use any more than 1/4 in depth lava rocks/pumice stones above the burner holes. Doing so will suffocate the flame. Pilot cage must never be covered.
- If you smell gas or hear a hiss
  1. Shut off gas to the firepit.
  2. Extinguish any open flame.
  3. If the odour continues, contact your gas supplier immediately. If there is a fire, contact the emergency services for help.
- The max. inlet supply pressure: max. Gas supply 11 in w.c. (2.74kPa)  
Use LP propane tanks with the appropriate connections. In the UK this is a patio gas push fitting.
- You must use a propane tank that has a collar to protect the gas valve.
- Discontinue use if any part of the propane tank is damaged.
- Rust and dents may be hazardous and should be inspected by a gas supplier.
- Do not burn anything other than the provided materials for this fire table.
- Keep away from the unit for the first 20 minutes after igniting your unit, as fire stones / lava rocks could pop out and cause injury. Should any rocks pop out, discard them.
- Always ensure that fire stones / lava rocks are completely dry before use. Failure to do so will cause them to crack or pop.
- Do not operate unit until all parts are fully assembled.
- Do not paint or colour any part of this heating unit.
- Do not attempt to move the unit while in use as it will be hot.
- Never leave this heating unit unattended while in use.
- Flammable items should be kept away, and no other fireplace cover should be used.
- Keep a safe distance to avoid burning skin or clothing.
- Do not sit or rest hands or feet on this heating unit while in use.



**Before assembling or operating this firepit unit, please take time to carefully read this manual. Failure to do so may result in a fire, explosion, injury or death.**

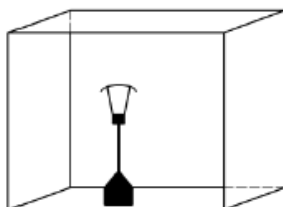
- Keep fuel supply hose and any electrical cables away from heated surfaces.
- Combustible material should not be within 180 inches of the top of the unit, or within 120cm around the entire unit.
- Keep the appliance area clear and free from combustible material.
- If the flame goes out while burning, turn the gas valve off. Wait 5 minutes before repeating the initial lighting procedure. Once you have a flame started, hold down the control knob for one minute.
- Do not add water into the unit.
- Do not operate unit if any part has been submerged under water. Immediately call a qualified service technician to inspect the appliance and replace any part of the control system and any gas control that has been under water. Do not disconnect any part while unit is in use.
- Do not store a spare propane tank on or near this unit.
- Always remove any protective coverings before operating.
- Do not use the protective firepit unit cover until the unit is turned off and completely cooled down.
- Check for leaks after not using the unit for long periods of time.
- **Children must be supervised while near this unit and should never operate it.**
- The maximum gas supply pressure is 250psi.
- This unit should be inspected annually and cleaned regularly.
- Inspect all elements of this heating unit before each use. If there is damage, the burner must be replaced.
- Keep the hose out from any walkways to eliminate any accidental damage.
- The gas supply tank should be constructed and marked with the specifications for usage in the UK.
- Young children should be carefully supervised when they are in the area of the appliance.
- It is important the control compartment, burners and circulating airways of the appliance are kept clean.
- Do not use the item while the lid is installed.

# Contents

1. Gas firepit system information.....	5
2. Assembly instructions.....	6
3. Firepit system explode diagram .....	11
4. Connecting with LP gas tank.....	12
5. Operation instructions.....	13
6. Cleaning and maintainance.....	14
7. Storage after use.....	15
8. Troubleshooting.....	16
9. Limited warranty.....	17

# 1. Gas Firepit System Information

Product Name			
Model Number			
Cat	I3+(28-30/37)	I3B/P(30)	I3B/P(50)
Country Code	GB, BE, CY, CZ, FR, GR, IE, IT, LV, LU, PT, SK, SI, ES, CH	AL, BE, BG, CY, HR, DK, EE, FI, FR, HU, IS, IT, LT, LU, MT, MK, NL, NO, RO, SK, SI, SE, TR,	AT, CH, DE, SK
Gas Type and Pressure	G30 Butane at 28-30mbar and G31 Propane at 37mbar	G30 Butane and G31 Propane at 30mbar	G30 Butane and G31 Propane at 50mbar
Rating	11.8KW(859g/h)	11.8KW(859g/h)	11.8KW(859g/h)
Orifice	1.76mm	1.76mm	1.50mm
Serial Number			
<p><b>⚠ CAUTION:</b>  <b>USE OUTDOORS ONLY</b>  Read the instructions before use.  This appliance is intended for decorative purposes  This appliance requires a hose and regulator which are defined in the instruction</p>			
<p><b>WARNING: THIS APPLIANCE HAS A NAKED FLAME, A SUITABLE GUARD SHOULD BE USED FOR THE PROTECTION OF YOUNG CHILDREN, THE ELDERLY AND THE INFIRM</b></p>			
<p>This appliance must be installed in accordance with the rules in force, and used only in a sufficiently ventilated space. Consult instructions before installation and use of this appliance.</p>			
<p>The use of this appliance in enclosed areas can be dangerous and is PROHIBITED.</p>			
<p>Be careful, accessible parts may be very hot. Keep away from young children.</p>			
<p>No part of the guard shall be permanently removed. IT DOES NOT GIVE FULL PROTECTION FOR YOUNG CHILDREN, THE ELDERLY OR THE INFIRM.</p>			
<p>Close the valve of the gas cylinder or the regulator after use.</p>			
<p><b>NOT TO BE USED FOR THE HEATING OF DOMESTIC PREMISES</b></p>			
<p>The appliance shall be used for space heating only</p>			
<p>The appliance shall not be used in basements or below ground level</p>			



## 2. Assembly Instructions

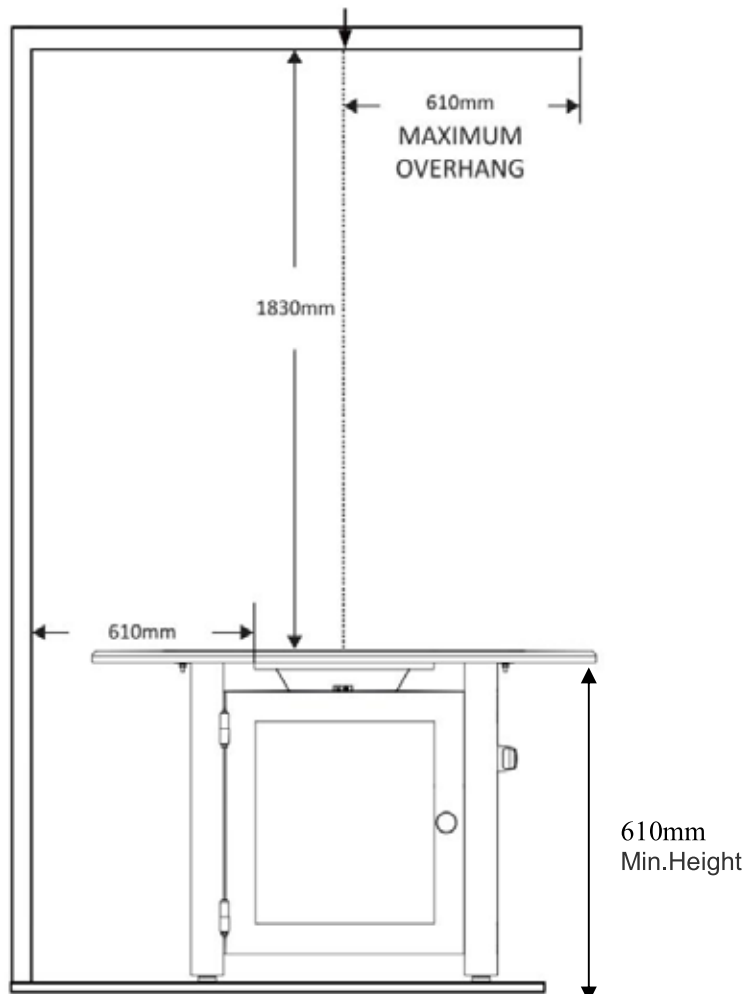
Please read these instructions carefully before assembly and use.

- Find a large, clean area to assemble your appliance. Please refer to the parts list and assembly diagram as necessary. Assembly of the appliance involves many large components; it is advisable to have two people assemble the unit.
- ⚠ Please use protective gloves when assembling this product.
- ⚠ To avoid losing any small component or hardware, assemble your product on a hard level surface that does not have cracks or openings.
- ⚠ To avoid damage to soft floor or carpet, do not assemble or move the appliance on soft floor or carpet.
- ⚠ Follow all steps in order to properly assemble your product.
- ⚠ Make sure all the plastic protection rip off before assembling.
- ⚠ Do not force parts together as this can result in personal injury or damage to the product.
- When applicable, tighten all hardware connections by hand first, once the step is completed, go back and full tighten all hardware.

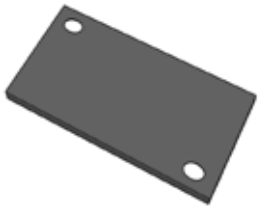
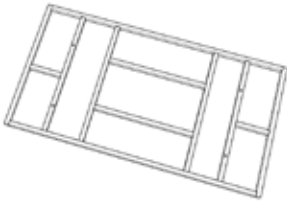
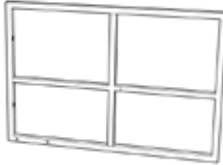




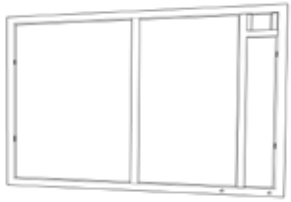
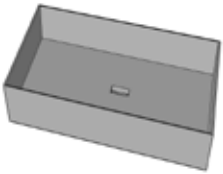

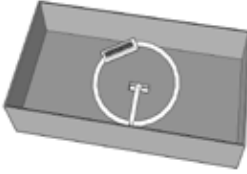
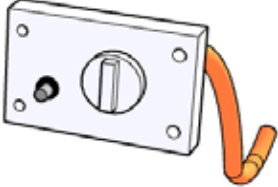






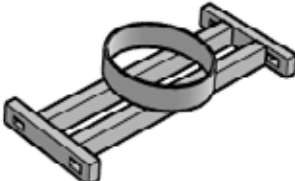
Caution: Whilst every effort has made in manufacture of your appliance to remove any sharp edge, you should handle all components with care to avoid accidental injury.

- Minimum Clearance From Unit To Combustible Material:

MINIMUM CLEARANCE TO COMBUSTIBLES		
	INCHES	MM
Side Walls	24	610
Top of unit to ceiling	72	1830



Parts List/Stückliste/Parts List/Listado de piezas:

<p><b>A:FP-1001</b></p>  <p>1pc</p>	<p><b>B:FPT-1001</b></p>  <p>1pc</p>	<p><b>C:FPT-1002</b></p>  <p>1pc</p>	<p><b>D:FPT-1003</b></p>  <p>1pc</p>
<p><b>E-a:FPT-1004(assembly)</b></p>  <p>1pc</p>	<p><b>E-b:FPT-1005(assembly)</b></p>  <p>1pc</p>	<p><b>E :Door (assembly)</b></p>  <p>1pc</p>	<p><b>G:FPT-1007</b></p>  <p>1pc</p>
<p><b>H:FP-1002</b></p>  <p>1pc</p>	<p><b>I:FP-1003</b></p>  <p>1pc</p>	<p><b>J:FP-1004(assembly)</b></p>  <p>1pc</p>	<p><b>K:FP-1005</b></p>  <p>1pc</p>
<p><b>O:FP-1015 (clips)</b></p>  <p>8pcs</p>	<p><b>P:FP-1009</b></p>  <p>2pcs</p>	<p><b>J:FP-1010</b></p>  <p>2pcs</p>	<p><b>S-1004(M6*35)</b></p>  <p>18pcs(2 for spare)</p>
<p><b>S-1007(M6*20)</b></p>  <p>4pcs</p>	<p><b>T-1001(M6)</b></p>  <p>1pc</p>	<p><b>F:FP-1006</b></p>  <p>1pc</p>	

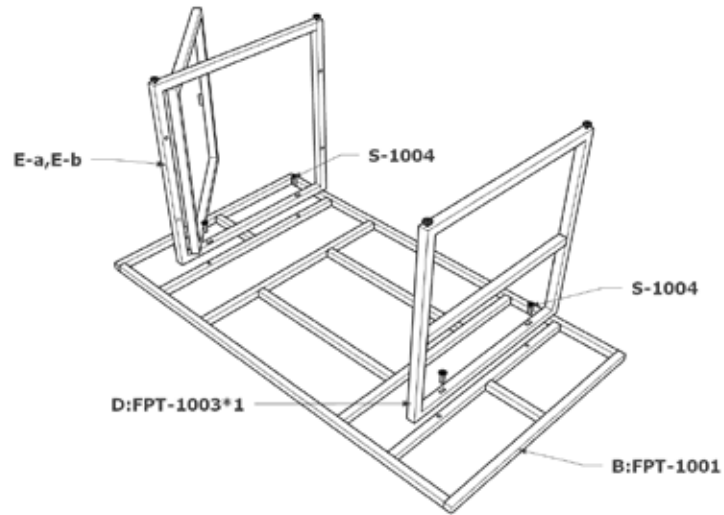
.....  
Tight all the screws to 60% first then tight to 100%.

Während der Montage alle Schrauben zuerst 60% anziehen, dann zu 100%.

Serrez toutes les vis à 60% d'abord puis serrez à 100%.

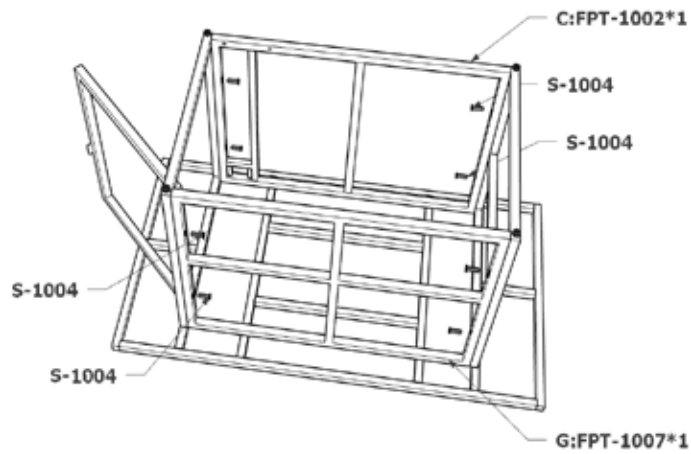
Primero apriete los tornillos al 60% y después al 100%.

1.



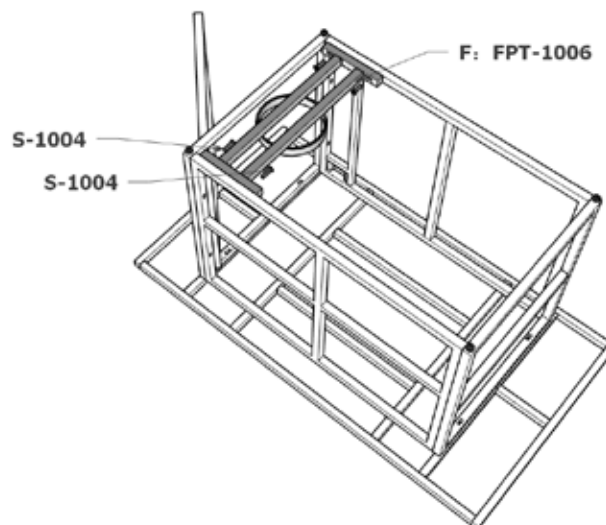
**B:FPT-1001\*1,D:FPT-1003\*1,E-a:FPT-1004\*1,E-b:FPT-1004\*1,S-1004\*4**

2.



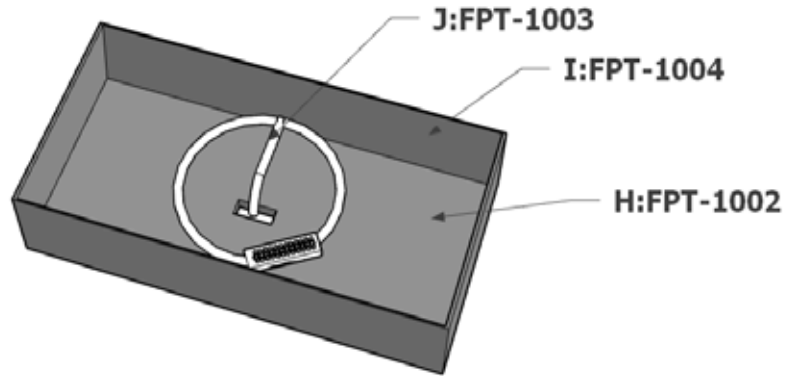
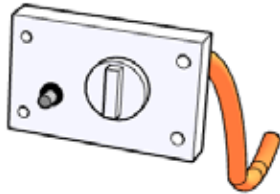
**C:FPT-1002\*1,G:FPT-1007\*1,S-1004\*8**

3.



**F:FPT-1006\*1,S-1004\*4**

4. Check that the control knob on the control panel is turned to **OFF** position before starting the gas system assembly. Check and tighten all connections as they can become loose in transit.

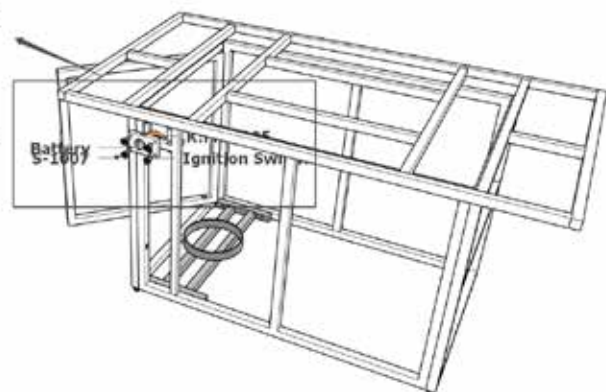
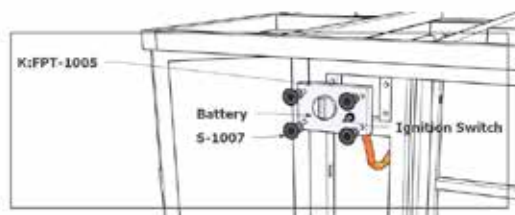


H:FPT-1002\*1,I:FPT-1003\*1,J:FPT-1004\*1

5. Connect and tighten the flex line, the thermocouple and the electrode (ignition cable) with the corresponding valves on the back of the control panel as showing in the figure beside. Unscrew the black plastic cap on the control panel and slide the battery into the battery slot. **(Note: 1pc AAA battery not supplied.)**

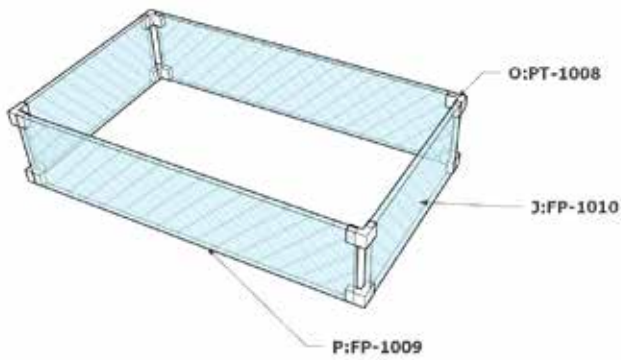


- 6.



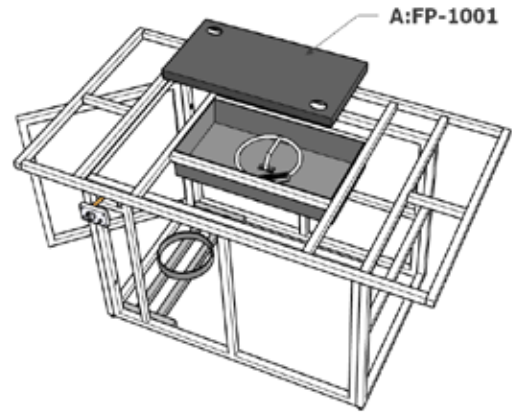
K:FPT-1005\*1,S-1007\*4

7.



O:PT-1008\*8,P:FP-1009\*2,J:FP-1010\*2

8.



A:FP-1001

9. Finally, pour the lava glass/rocks into the firebowl. Be caution that the screen/guard of the burner should be free of the the lava glass/rocks at all times.

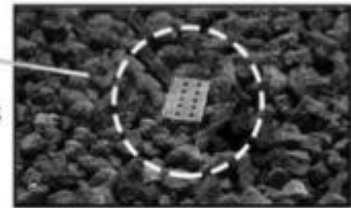
See **WARNING** and Figures:

**▲ WARNING**

This screen must be clear and free of obstructions at all times to insure proper operation.

Screen

DO NOT PLACE LAVA ROCKS ON THE SCREEN. KEEP SCREEN CLEAR



**▲ WARNING**

The burner of the firebowl must be covered by lava rocks completely. Otherwise the flame may be extinguished. See the Figure for the CORRECT and INCORRECT ways for reference.



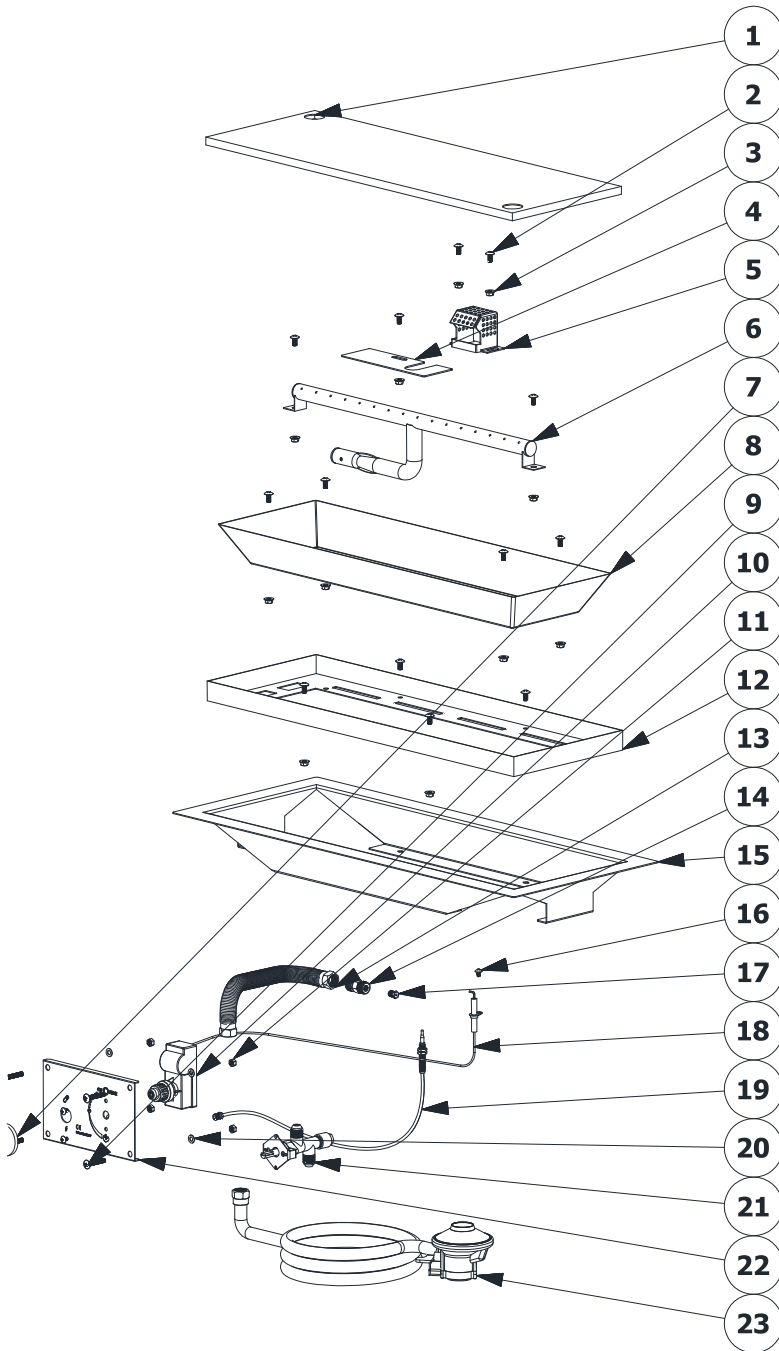
CORRECT



INCORRECT

10. Place propane patio gas tank (not supplied) into the metal stand F. Make sure the tank sits firmly. Remove any plastic wraps on any part of the gas fire fit system. Connect the gas regulator to the gas cylinder valves by turning the regulator coupling nut clockwise. Make sure it is fastened securely and tighten connections by hand only. (See part 4)

### 3. Firepit System Explode Diagram



NO.	Description	QTY
1	Square Pan Lid	1
2	Screw M5x10	13
3	Flange nut M5	13
4	Burner Plate	1
5	Pilot Cover	1
6	Burner	1
7	Knob	1
8	Burner bowl	1
9	Screw M5x30	4
10	Igniter	1
11	Nut M5	4
12	Bracket Burner Bowl	1
13	Flex Line	1
14	Brass Fitting	1
15	Firepit Frame	1
16	Screw M4x6	3
17	Brass Orifice	1
18	Electrode	1
19	Thermocouple	1
20	Washer M5	4
21	Valve	1
22	Control Panel	1
23	Regulator	1

## 4. Connecting with LP Gas Tank

### Important Notes:

- To operate you will need a precision-filled standard G30/G31 grill LP gas cylinder with external valve threads.
- ⚠ Use standard flexible tube with length less than 1.5 m. The tube shall be readily visible across its entire length for inspection after installation.

**Danger:** You must have the proper regulator and bottle in order for the appliance to operate safely and efficiently. Use of an incorrect or faulty regulator is dangerous and will invalidate any warranty.

### Connect LP Gas cylinder

Before connecting, be sure that there is no debris caught in the head of the LP tank, head of the regulator valve or in the head of the burner and burner ports.

Connect gas line to tank by turning knob clockwise until it stops, make sure that the tube is not subject to twisting.

Do Not use this appliance with an adjustable regulator. We suggest use this appliance with LP gas cylinder of 5KG.

Pay attention when put the cylinder to the cylinder hole, ensure the hose connect to the cylinder not touch the hot surface. Keep the cylinder stay in place during operation. Never put spare cylinder in the same cylinder enclosure. Never block the way of shut off the cylinder valve.

**Warning:** Shut off the gas cylinder when you smell gas.

### Disconnect LP Gas cylinder

Before disconnecting make sure the LP gas tank valve in "CLOSED"

Disconnect gas line from LP gas cylinder by turning knob counterclockwise until it is loose.

After connecting to gas cylinder, a leak testing is necessary.

**Danger:** When changing the gas container, care must be taken to keep away from any source of ignition.

## 5. Operation Instruction

Before performing a leak test, be sure that no sparks can occur and you are in a spacious outdoor area. Connect the propane gas tank to the regulator and turn the valve on the unit to the "off" position. Brush a soap and water mixture on all connections. Turn the gas supply on; if bubbles occur on any connection there may be a leak. If you smell gas or a leak is discovered turn the **gas valve off, disconnect propane gas tank and do not use the appliance until the leak is repaired.**

Do not use the heating unit without inspecting the gas hose. If there are signs of wear or abrasion you must replace the hose (if applicable). Pumice stones/lava rocks/Lava Glass® could pop up and strike somebody's face during the process of lighting this unit; stand away from the unit for the first 20 minutes after igniting. Flame height should be a yellow/blue color between 2-10 inches in height.

Wait 5 minutes after extinguishing flame prior to placing the lid (if applicable) or protective cover on heating item.

### To Light

1. Make sure the control knob is in the "OFF" position.
2. Open the door and slowly open the valve on the propane gas tank by turning the knob counterclockwise.
3. Close the door on the body.
4. Push and hold in the electronic igniter to create sparks within the electrode, continue to hold.
5. Push in the control knob and turn to the "LOW" position. Keep holding down the control knob to allow gas to flow for 45 seconds.
6. If ignition doesn't occur within a few seconds release the control knob and rotate to the "OFF" position. Wait for 5 minutes for gas to clear and then repeat the above lighting instructions.
7. Once the fire product is lit, the flame intensity may be controlled by turning the control knob between the "LOW" and "HIGH" positions.

### To Extinguish

1. Turn control knob clockwise to the "LOW" position; let the knob pop up and continue turning the control knob to the "OFF" position.
2. Close the cylinder valve on the propane gas tank if you don't intend to use it for a long time.

## 6. Cleaning and Maintenance

To enjoy years of outstanding performance from your appliance, regular services of the appliance is mandatory as followings:

- The appliance should be inspected before at least one time a year by a Qualified Service only. More frequent cleaning may be required according to the use of the appliance.
- Any guard or other protective device removed for servicing the appliance must be replaced before operating it.
- Keep exterior surfaces clean, free and clear from combustible materials.
- Use warm soapy water for cleaning. Never use flammable or corrosive cleaning agents.
- While washing your unit makes sure to keep the area around the burner assembly dry at all times. If the gas control is exposed to water in any way, **DO NOT** tries to use it. It must be replaced.
- Burner and LPG compartment circulating air passageways of the appliance must be kept clean.
- Airflow must be unobstructed. Keep controls, burner and circulation air passageways clean. Signs of possible blockage include:
  - Gas odor with extreme yellow tipping of flame / Appliance glow is excessively uneven / Appliance makes popping noises.
  - Spiders and insects can nest in burner or orifices. This dangerous condition can damage the appliance and render it unsafe for use. Clean burner holes by using a heavy duty pipe cleaner. Compressed air may help clear away smaller particles.
  - Carbon deposits may create a fire hazard. If any carbon deposits develop, clean dome and engine with warm soapy water.
  - After the burner and lava rocks are completely cooled down, remove it from the bowl and use a soft brush to get rid of the mild stains, loose dirt and soil. Wipe with a soft cloth.
  - Clean the bowl and afterward put lava rocks again in proper position.
- For proper cleaning, a vacuum cleaner can be used.

***Note: In a salt-air environment (such as near the sea), corrosion occurs more quickly than normal. Frequently check the corroded areas and repair them promptly. Stubborn stains, discoloration and possibly rust pitting can occur from exposure to harsh outdoor conditions. Be careful not let any powder or solvent come in contact with painted or plastic components as damage may occur.***

*After long use, some discoloration can come up and it screen is normal.*

Make sure both gas supplies is in OFF position before changing battery. Please refer to the process of assembling battery.

Please contact the Manufacturer or dealer for information regarding replacement hoses, thermocouples, igniters, lava rocks, etc.

***Attention: Never use unauthorized parts or component for this appliance.***

***Use only original equipment replacement spare parts and components.***

***Otherwise may void the warranty of this product and result in a hazardous condition.***

## 7. Storage After Use

- Turn control knob in “OFF” position (full disk).
- Turn the patio gas tank in “OFF” position.
- Store the appliance in a cool dry place away from direct sunlight; store it upright in an area sheltered from direct contact with inclement weather (such as rain, sleet, hail, snow, dust and debris).
- If desired, cover to protect exterior surfaces and to prevent build up in air passages.

***Note: Wait until appliance is cool before covering.***

***During periods of extended inactivity or when transporting:***

- Turn control knob in “OFF” position (full disk).
- Disconnect the patio gas tank and move to a secure, well ventilated location outdoors. DO NOT store in a location that will exceed 50 °C.
- Store appliance upright in an area sheltered from direct contact with inclement weather (such as rain, sleet, hail, snow, dust and debris).
- If desired, cover appliance to protect exterior surfaces and to prevent build up in air passages.

***Note: Wait until appliance is cool before covering.***

## 8. Troubleshooting

<b>Problem:</b>	<b>Condition:</b>	<b>Solution suggested:</b>
<b>Burner won't light</b>	Control knob is not in Maximum position (big, flame).	Turn control knob in Maximum position (big flame).
	LPG cylinder valve is closed / Empty.	Open the valve / Replace LPG cylinder with a new one.
	Blockage in the injector.	Clean or replace injector.
	Air in the gas circuit.	Open gas line and bleed it (pressing control knob in) for not over 1 minute or until you smell gas.
	Low gas pressure.	Replace LPG cylinder with a new one.
	Igniter fails.	Use match to light burner; change battery or obtain new igniter and replace it.
<b>Burner won't stay lit</b>	Dirty build up around burner.	Clean dirty around the burner.
	Low flames or not full running around the burner.	Flame spreader holes partially closed; clean the burner.
	Thermocouple is not operating correctly.	Replace thermocouple (FSD).
	Low Gas pressure.	Replace LPG cylinder with a new one.
<b>Burner flame is low</b> Note: Do not operate appliance below 5 °C	Outdoor temperature is greater than 5 °C and LPG cylinder is less than 25 % full.	Replace LPG cylinder with a new one.
	Gas pipe is bent or kinked.	Straighten hose and perform leakage test on gas pipe.
	Control knob is fully Maximum position (big flame).	Turn control knob to "OFF" position (full disk), let cool to room temperature and check burner and orifices for blockage.
<b>Carbon build-up</b>	Dirty or film on burner.	Clean burner.
<b>Flash back</b> (flame inside burner)	Burner ports are blocked.	Switch OFF the appliance. Close LPG cylinder valve. Wait 2 minutes, following the ignition procedure. Ignite burner. If problem continuous, switch-off. Contact your dealer.
<b>Thick black smoke</b>	Blockage in the burner.	Turn control knob to "OFF" position, let the appliance to cool at room temperature and remove blockage and clean burner inside and outside.

## 9. Limited Warranty

We grant a warranty for the appliance for the duration of one year, starting with the date of purchase. The warranty includes manufacturing deficiencies and defective parts; it extends to the replacement of these parts. Expenses for shipping, installation, replacement of worn parts and other cost are not covered by the warranty. The warranty lapses in case of mishandling and if any kind of unauthorized modifications are made on the unit.

### Attention

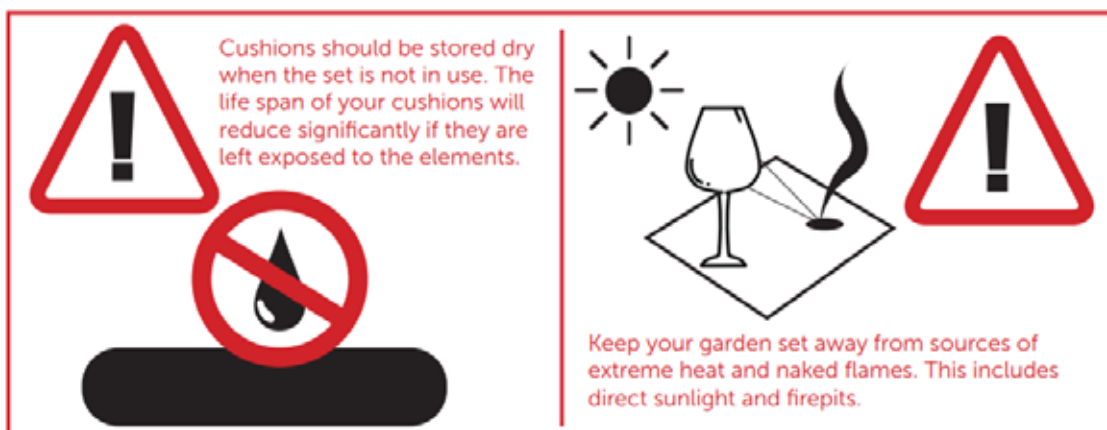
- Whilst assembling this product keep out of the reach of children. (Choking hazard – contains small parts)
- Ensure that your working area is free of possible sources of danger, for example don't leave any tools lying around.
- Always dispose of packaging material in such a way that it may not cause any danger. There is always a risk of suffocation if children play with plastic bags!
- We reserve the right to make changes for technical reasons.

For assistance with assembly, or to request replacement parts, log onto our website or call Customer Service.  
**DO NOT RETURN THE PRODUCT TO THE STORE.**

Si vous avez besoin d'aide pour le montage, ou pour demander des pièces de rechange, connectez-vous sur notre site Web ou appelez le service à la clientèle. **NE RETOURNEZ PAS LE PRODUIT AU MAGASIN.**

Para obtener ayuda sobre el montaje o para solicitar piezas de repuesto, conéctese a nuestra página web o llame a Atención al cliente. **NO DEVUELVA EL PRODUCTO A LA TIENDA.**

Wenn Sie Hilfe beim Aufbau oder Ersatzteile benötigen, melden Sie sich auf unserer Webseite an oder rufen Sie unseren Kundenservice an. **GEBEN SIE DAS PRODUKT NICHT IM GESCHÄFT ZURÜCK.**



**INSTRUCTION MANUAL/BEDIENUNSANLEITUNG/  
NOTICE D'UTILISATION/MANUAL DE INSTRUCCIONES**

**Rosen 3 seater corner  
sofa & Square Stool\*1**

**! WARNING!**

Adults assembly required. During assembly, keep all parts away from children. Check regularly to ensure all fasteners are tight.

**! WARNUNG!**

Die Montage ist von Erwachsenen durchzuführen. Halten Sie während der Montage alle Teile von Kindern fern. Überprüfen Sie regelmäßig den festen Sitz der Schrauben.

**! Attention!**

Montage à effectuer par des adultes. Pendant le montage, tenez les éléments éloignés des enfants. Vérifiez régulièrement que toutes les vis soient serrées.




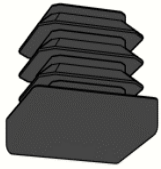

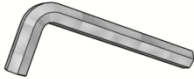
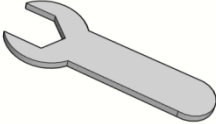
**! Atención!**

Se requiere que el montaje sea llevado a cabo por un adulto. Durante el montaje, mantenga todas las piezas fuera del alcance de los niños. Verifique regularmente que todos los tornillos estén correctamente apretados.

**Information: Cushions and rain covers can be stored under stools or armrests.**

**Parts List/Stückliste/Parts List/Listado de piezas:**

<p><b>RS-1025</b></p> <p>1pc</p>	<p><b>RS-1003</b></p> <p>1pc</p>	<p><b>RS-1004</b></p> <p>1pc</p>	
<p><b>RS-1027</b></p> <p>1pc</p>	<p><b>RS-1028</b></p> <p>1pc</p>	<p><b>RS-1214</b></p> <p>1pc (May inside arms or stools)</p>	
<p><b>RS-1024</b></p> <p>2pc</p>	<p><b>RS-1023</b></p> <p>2pc</p>	<p><b>RS-1022</b></p> <p>1pc</p>	
<p><b>RS-1213</b></p> <p>3pcs (May inside arms or stools)</p>	<p><b>RS-1217</b></p> <p>2pcs</p>	<p><b>S-1003(M6)</b></p> <p>1pc</p>	<p><b>S-1013(M6*55)</b></p> <p>6pcs</p>

<p><b>S-1002(M6)</b></p>  <p>6pcs</p>	<p><b>S-1006(M6*45)</b></p>  <p>12pcs</p>	<p><b>S-1005(Installed)</b></p>  <p>8pcs</p>	<p><b>F-1002 (Installed)</b></p>  <p>8pcs</p>
<p><b>S-1004(M6*35)</b></p>  <p>12pcs</p>	<p><b>T-1001(M6)</b></p>  <p>1pc</p>	<p><b>T-1002(M6)</b></p>  <p>1pc</p>	

.....

**RETAIN FOR FUTURE REFERENCE**

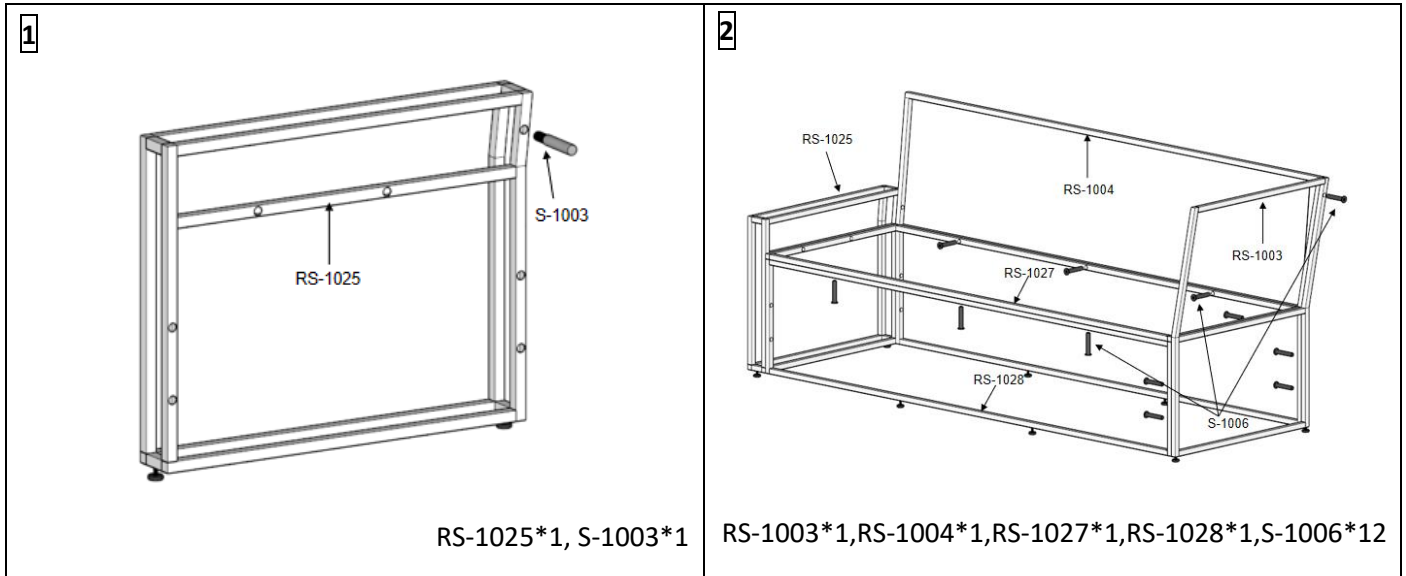
**FÜR KÜNFTIGE VERWENDUNG AUFBEWAHREN**

**A CONSERVER POUR UNE UTILISATION FUTURE**

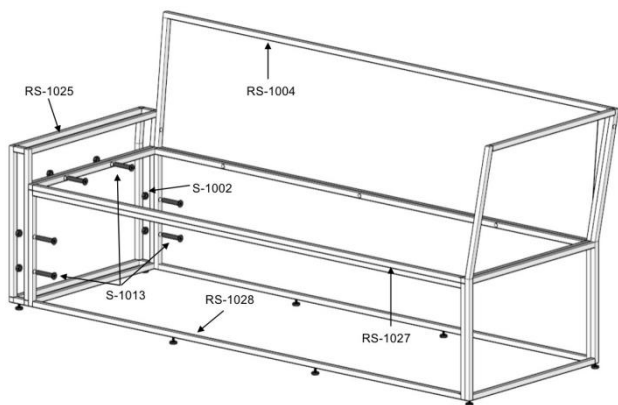
**CONSERVAR PARA SER LEÍDO POR CADA NUEVO USUARIO, ANTES DE UTILIZAR EL ARTÍCULO POR PRIMERA VEZ**

**Assembly/Montage/Assemblage/Montaje:**

● **Right arm(seating) 3 seater corner sofa**

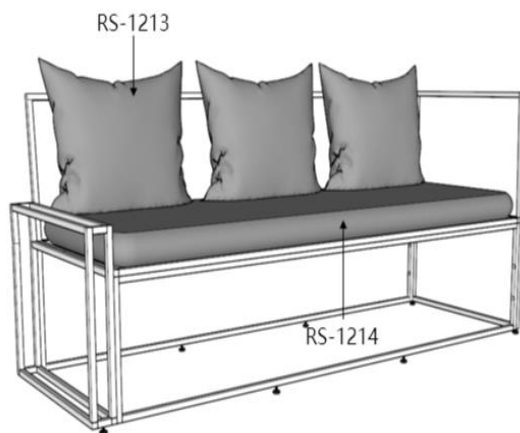


3



RS -1025\*1, S-1013\*6, S-1002\*6

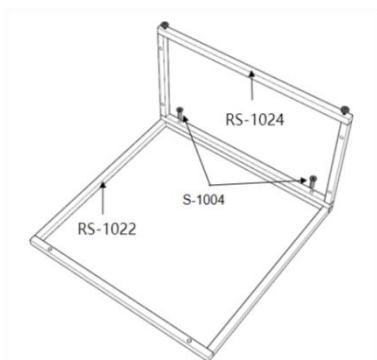
4



RS-1213\*3, RS-1214\*1

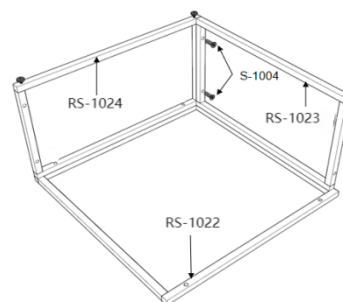
● Stool

1



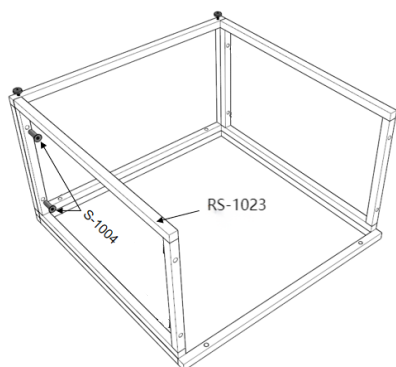
RS-1024\*1, RS-1022\*1, S-1004\*2

2



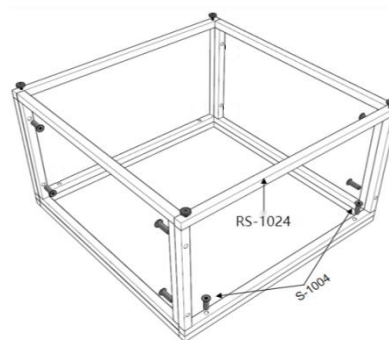
RS-1023\*1, S-1004\*2

3



RS-1023\*1, S-1004\*2

4



RS-1024\*1, S-1004\*6

5



RS-1217\*1

Tight all the screws to 60% first then tight to 100%.

Während der Montage alle Schrauben zuerst 60% anziehen, dann zu 100%.

Serrez toutes les vis à 60% d'abord puis serrez à 100%.

Primero apriete los tornillos al 60% y después al 100%.

## CARE AND SAFETY GUIDELINES

Rattan sofa sets aren't as difficult and high maintenance as other garden furniture. We suggest covering rattan furniture with our rain covers to prevent wear and tear and increase its life span. Upgrading to rattan furniture has so many advantages compared to other types of garden furniture and one of them is the fact that they're low-maintenance. All our PVC rattan furniture are water resistant for light rain.

Cleaning rattan furniture is as easy as one, two, three. Fill a bucket with warm water, fairy liquid and gently scrub the furniture with a cloth. This method would be ideal to pick up dust and liquid stains. We'd also suggest using a garden hose or jet wash to remove dirt and grime. We highly recommend using the lowest power on the jet wash at the far distance to prevent wear and tear.

For another simple yet cost effective method would be with a soft bristled brush to dust of any little bit sand pieces in between each weave. Cleaning rattan furniture every so often is important as dirt could accumulate and create bacteria.

Glass topped tables can be easily cleaned with cleaning products and newspaper to prevent line marks compared to a cloth.

All our cushions are waterproof and washable, it's recommended to hand wash cushion covers. Finally, we'd also highly recommend not to use any chemical substances on all rattan surfaces.

For assistance with assembly, or to request replacement parts, log onto our website or call Customer Service.  
**DO NOT RETURN THE PRODUCT TO THE STORE.**

Si vous avez besoin d'aide pour le montage, ou pour demander des pièces de rechange, connectez-vous sur notre site Web ou appelez le service à la clientèle. **NE RETOURNEZ PAS LE PRODUIT AU MAGASIN.**

Para obtener ayuda sobre el montaje o para solicitar piezas de repuesto, conéctese a nuestra página web o llame a Atención al cliente. **NO DEVUELVA EL PRODUCTO A LA TIENDA.**

Wenn Sie Hilfe beim Aufbau oder Ersatzteile benötigen, melden Sie sich auf unserer Webseite an oder rufen Sie unseren Kundenservice an. **GEBEN SIE DAS PRODUKT NICHT IM GESCHÄFT ZURÜCK.**

