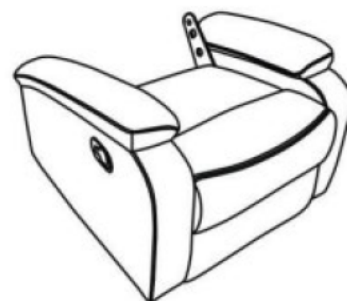




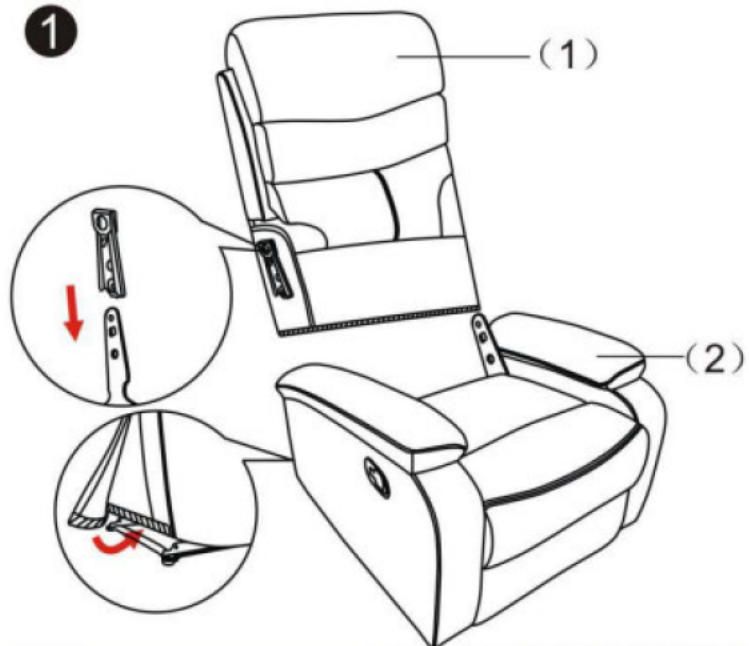
(1) ×1



(2) ×1



1



2

