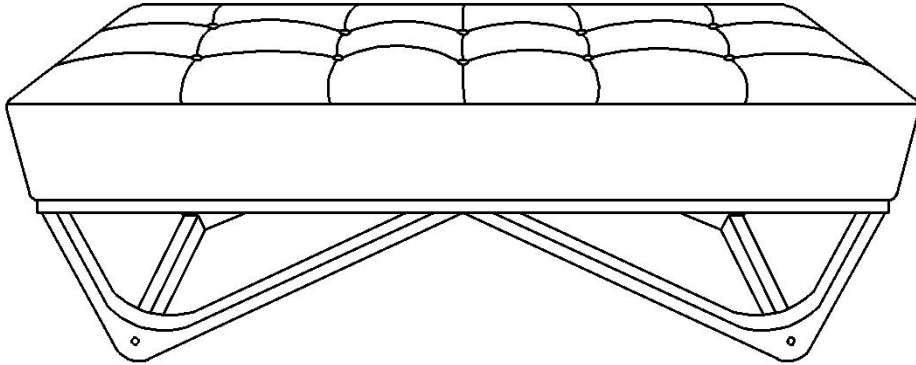


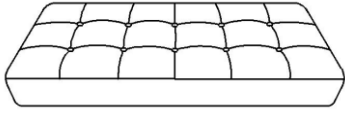
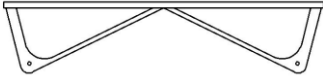
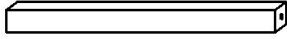
Assembly Instructions

Caution: You must read this before you proceed.






Bench



Part List

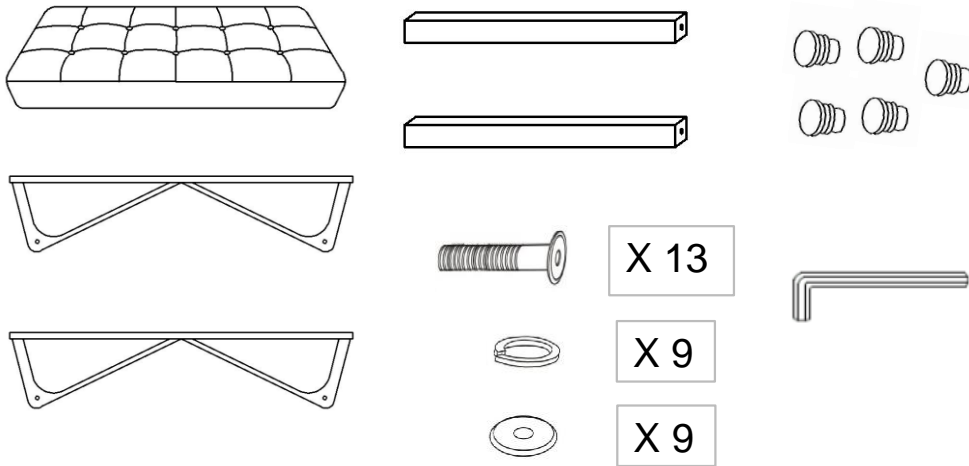
Label	Picture	Description	Qty
A		Bench Seat	1
B		Side Frame (with Mounting Position)	2
C		Rail	2

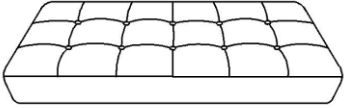
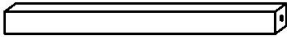
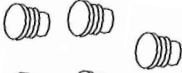
Hardware

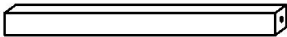


Label	Picture	Description	Qty
①		Bolt (M8x45mm)	13
②		Spring Washer	9
③		Washer	9
④		Allen Key	1
⑤		Plastic Feet	5

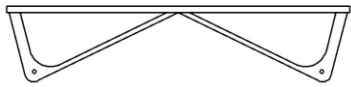

Assembly Preparation

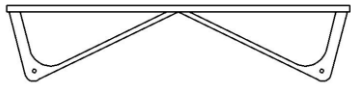

Before Beginning Assembly:










X 13


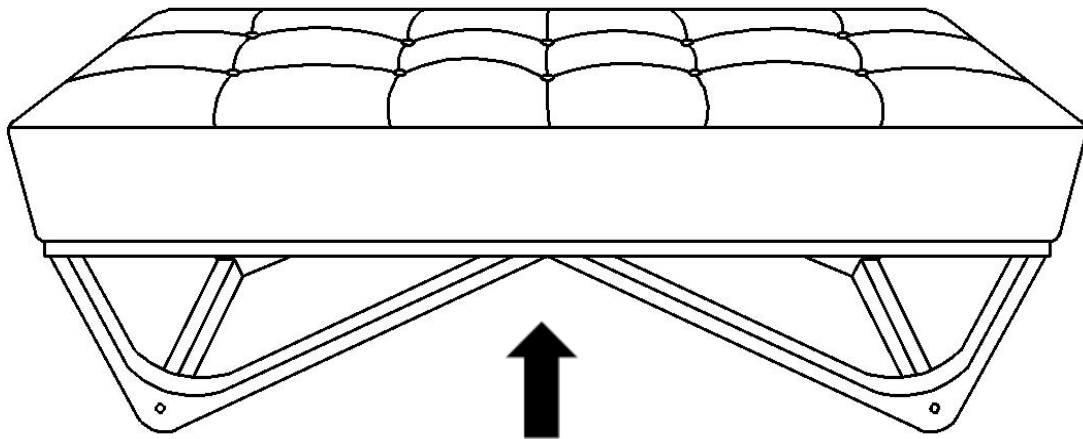


X 9



X 9

-  • Read instructions, cover to cover-
-  • Have 2 adults on hand for assembly-
-  • Do not assemble on flooring or carpet-
-  • Assemble on a clean non-marring surface (packing foam)-
-  • Save all packaging until finished-

Assembly Steps

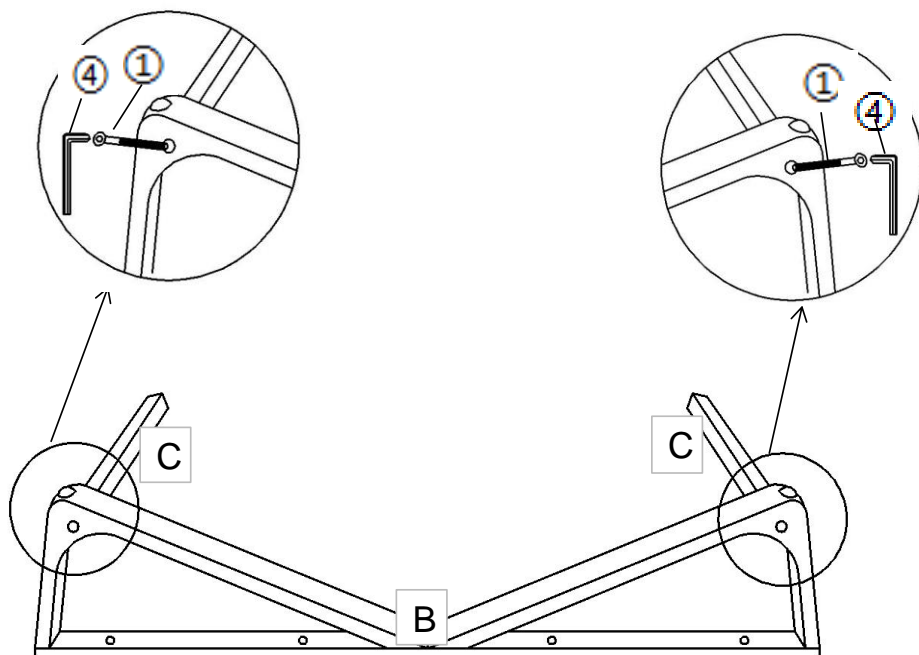
Overview



FRONT FACING

This Bench has multiple parts and may require up to 30 minutes to assemble. To give you an overview of the Bench parts, the above picture is to help you put the various parts into perspective. Please read through the instructions below to familiarise yourself with the parts and steps before assembly.

Step 1



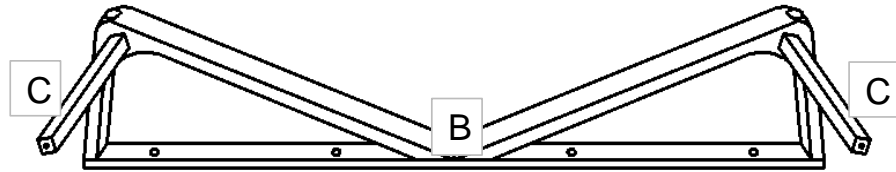
Place the Side Frame(B) on a clean non-marring surface.
Attach Rail(C) to Side Frame(B) using Bolts(①) with Allen Key(④).

Note: The Rails(C), with Mounting Positions, should be installed on the same side of the Side Frame(B) with Mounting Positions, as indicated above.

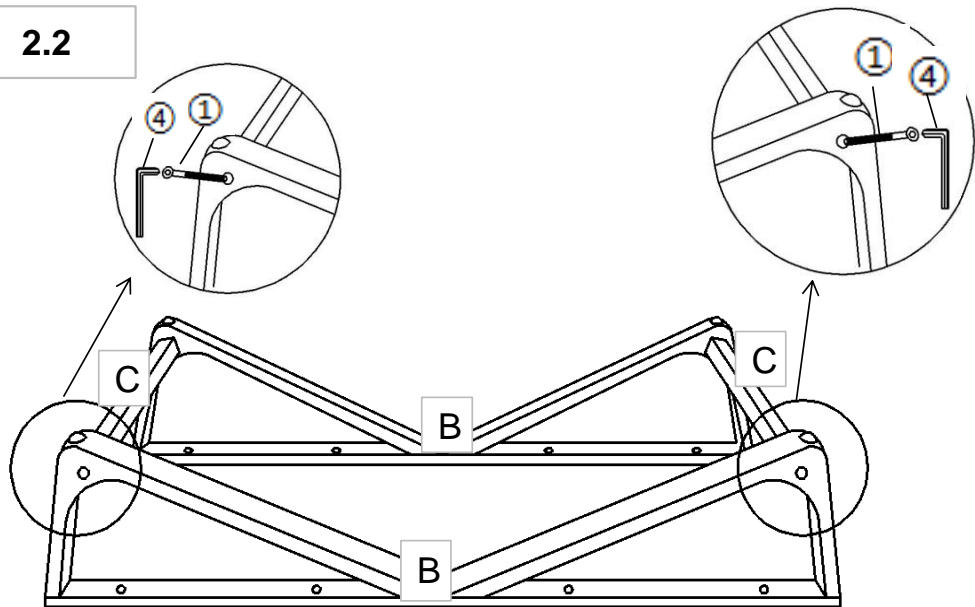
Do not fully tighten the Bolts.

Step 2

2.1



2.2

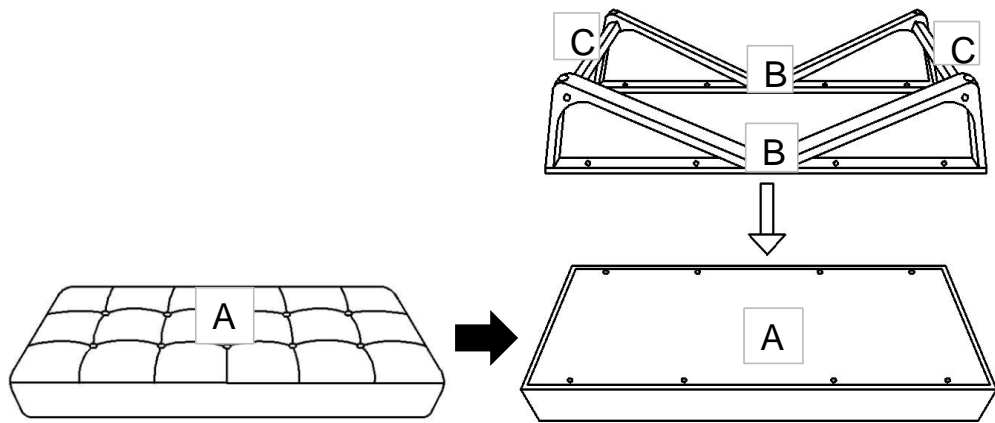


2.1) Place the installed frame on a clean non-marring surface, as shown

2.2) Repeat **Step 1** to attach Rails(C) to Side Frame(B).

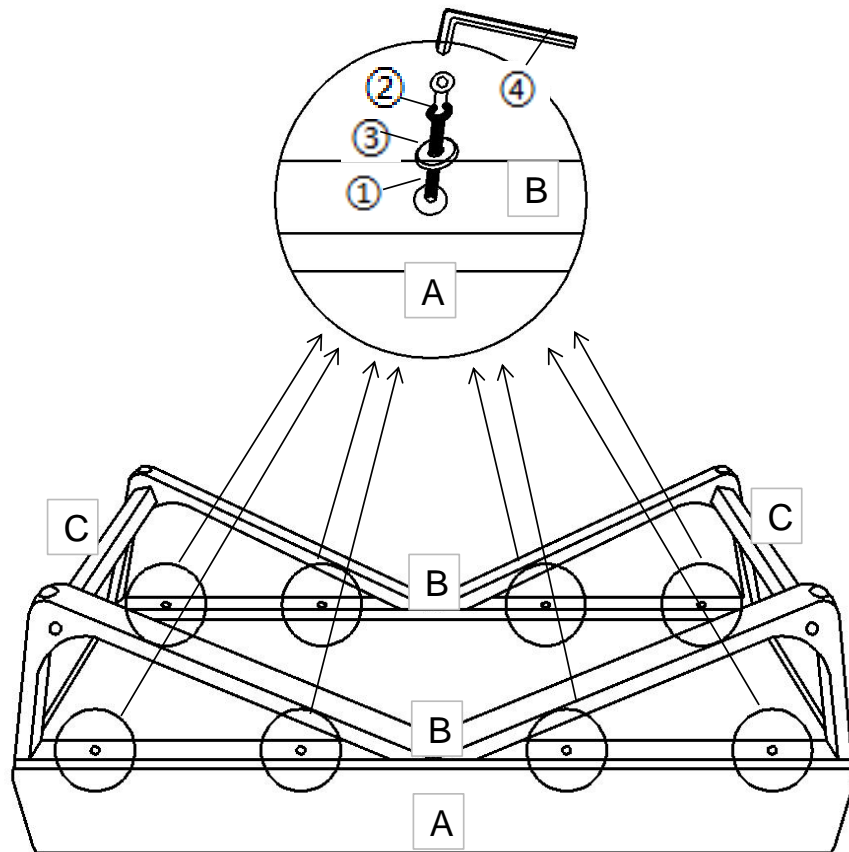
Do not fully tighten the Bolts.

Step 3



Place the Bench Seat(A) facedown onto a clean, non-marring surface. Align the mounting positions on the Side Frame(B) to those on the underside of Bench Seat(A), as pictured.

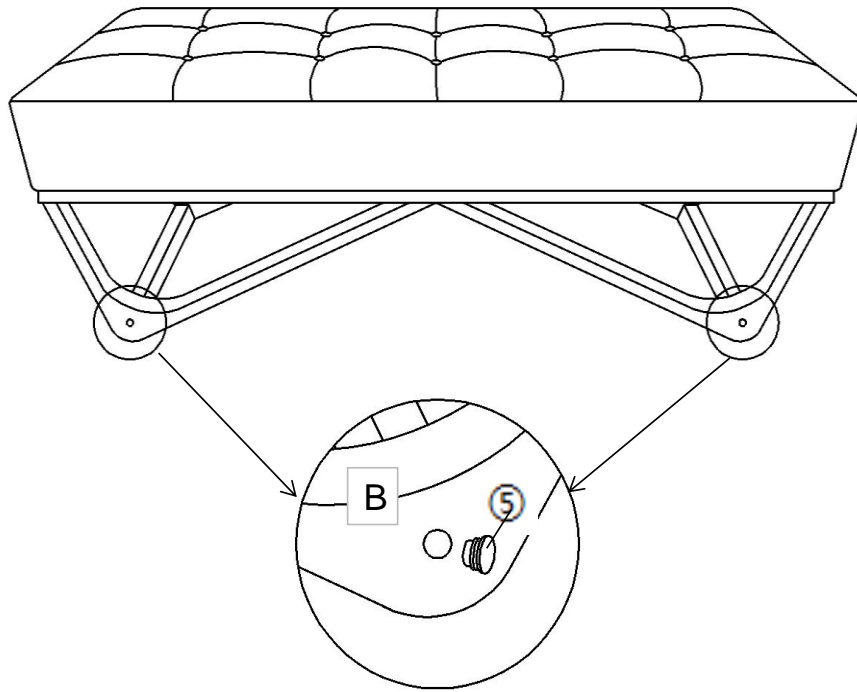
Step 4



Attach Bench Seat(A) to Frame using Bolts(①), Spring Washers(②) and Washers(③) with Allen Key(④).

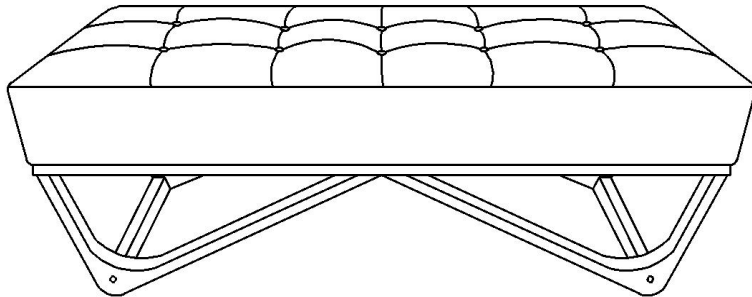
Tighten the Bolts fully in a sequential manner.

Step 5



With assistance from your adult partner, stand the Bench up.
Insert Plastic Feet(5) into mounting positions on the Side Frame(B) by hand as pictured.

Step 6



Your Bench is ready for use.
This Bench can only be used on a flat, level surface.

Care & Maintenance



Do not put hot items directly on furniture surface.



Do not clean furniture with harsh cleansers or polish.



Do not place furniture under direct sunlight.



Do not place furniture near heating or cooling vents.



Do not write on furniture without a padded barrier to protect the surface.



Do not place furniture outside . For indoor use only .



Not for commercial use. For residential use only .



Stains may be removed with mild soap solution and damp cloth.



Children should not climb or jump on the furniture.



Dust and pick-up spills using a clean, non-colored, lint-free cloth