

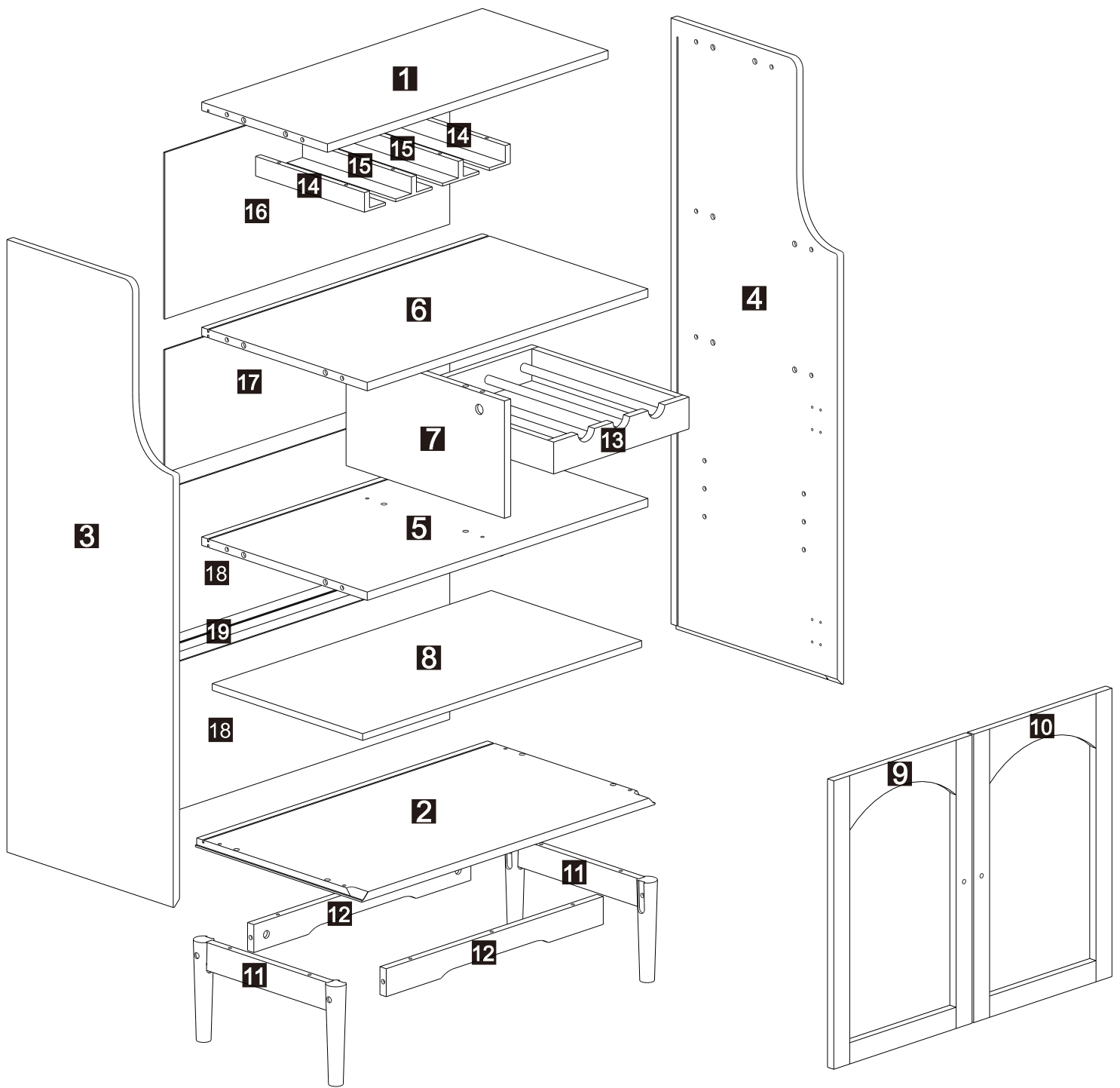
Attention please :

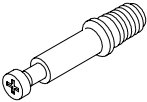
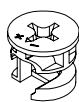

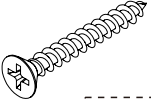
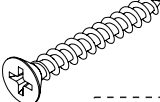
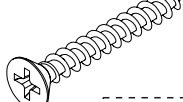

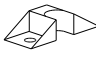


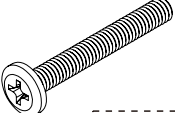



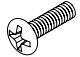

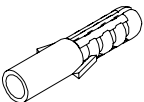

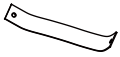

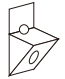
**Improper use of screws may cause the product surface damage!
Please be careful when installing.**

To prevent you from confusing the accessories and boards, Please do not mix the parts of different units when you buy two or more products at the same time.

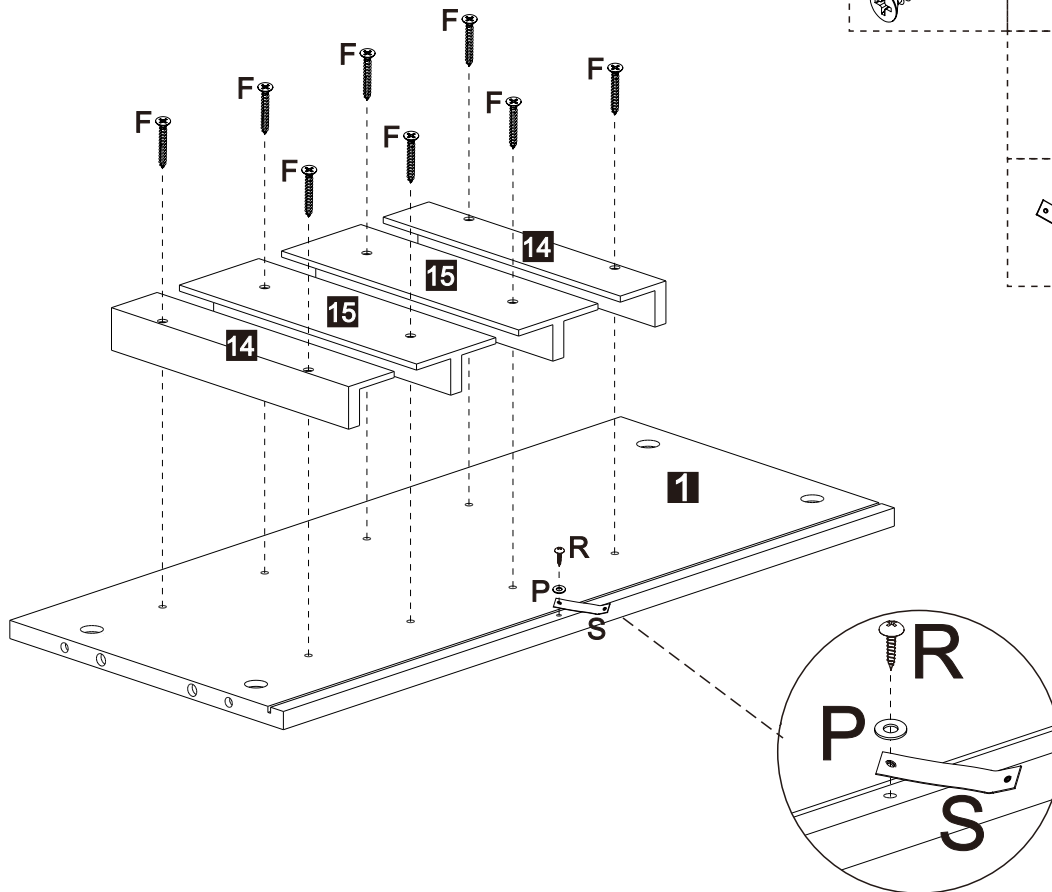
READ AND SAVE THIS INSTRUCTIONS FOR FUTURE USE

ASSEMBLY & INSTRUCTION MANUAL

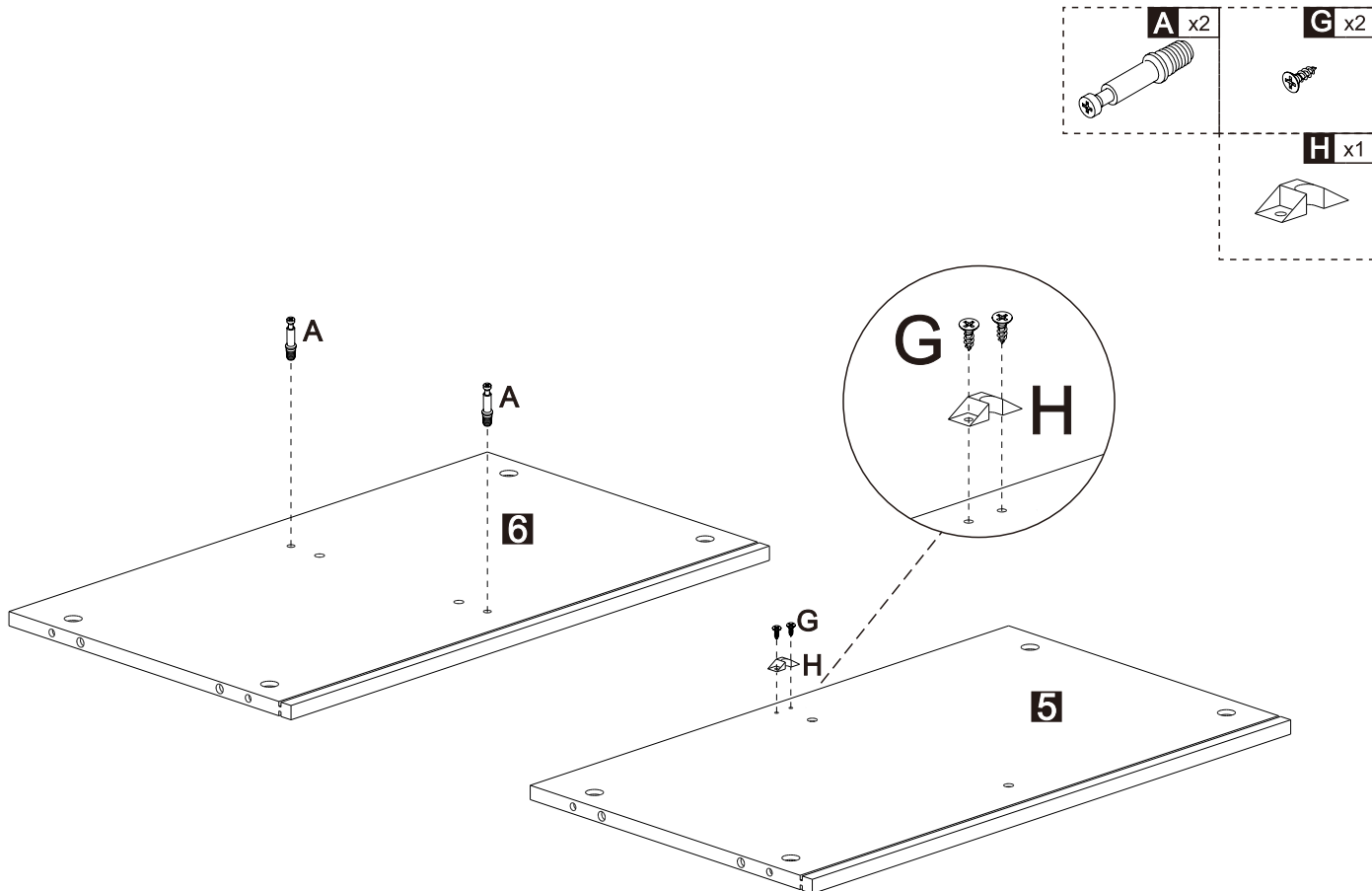


A x14	B x14	C x20	D x3	E x14	F x8	G x2
			 4x35mm	 4x40mm	 4x45mm	 3x12mm
H x1	I x24	J x4	K x4	L x4	M x4	N x2
	 4x14mm		 6x60mm			
O x2	P x2	Q x1	R x1	S x1	T x12	U x12
 4x18mm			 2.5x12mm		 3x16mm	

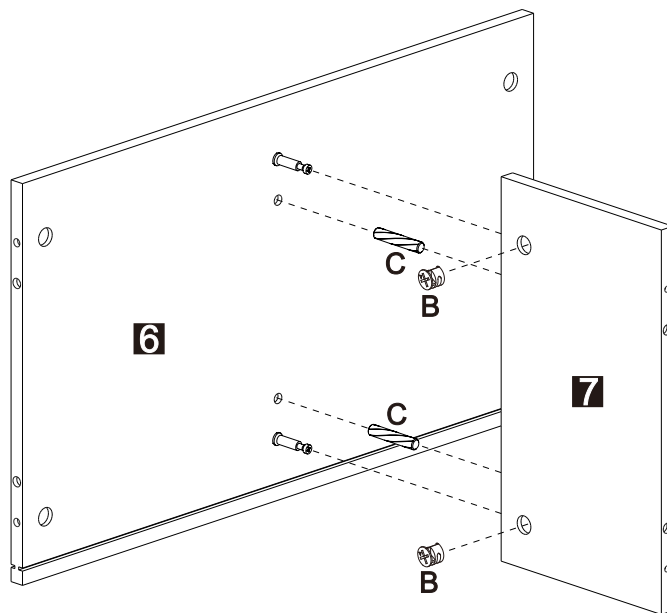
1



2



3



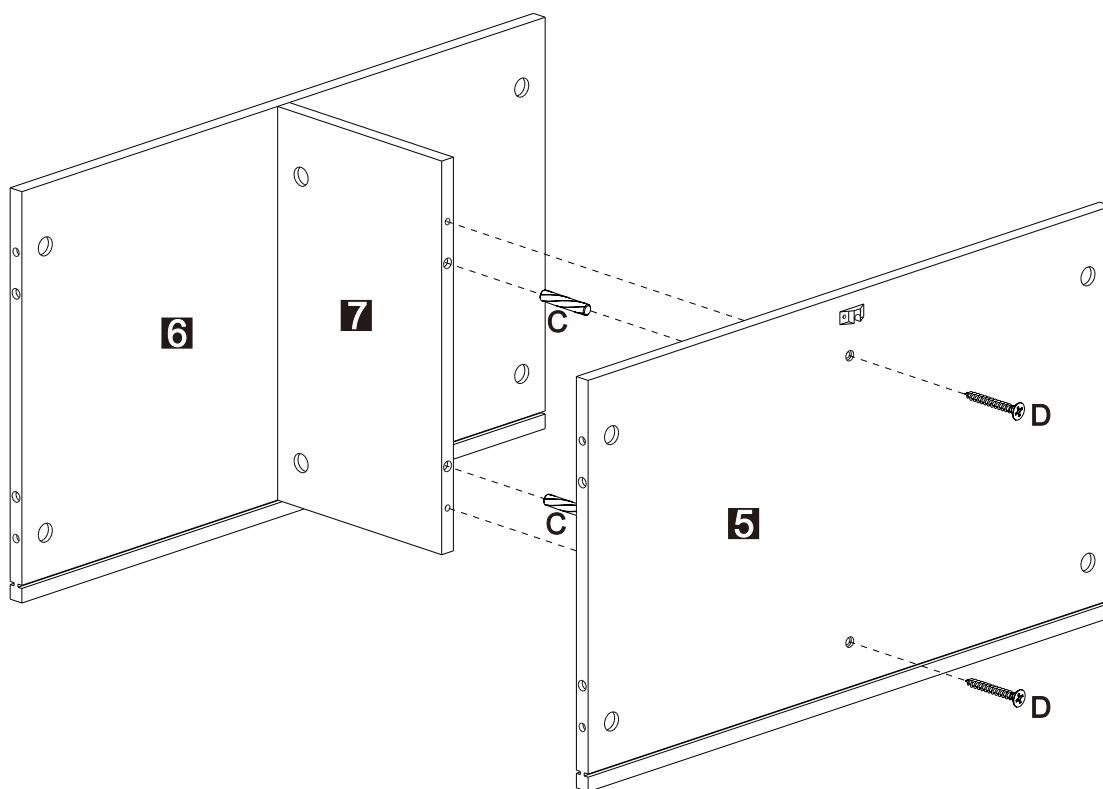
B x2



C x2



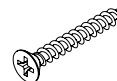
4



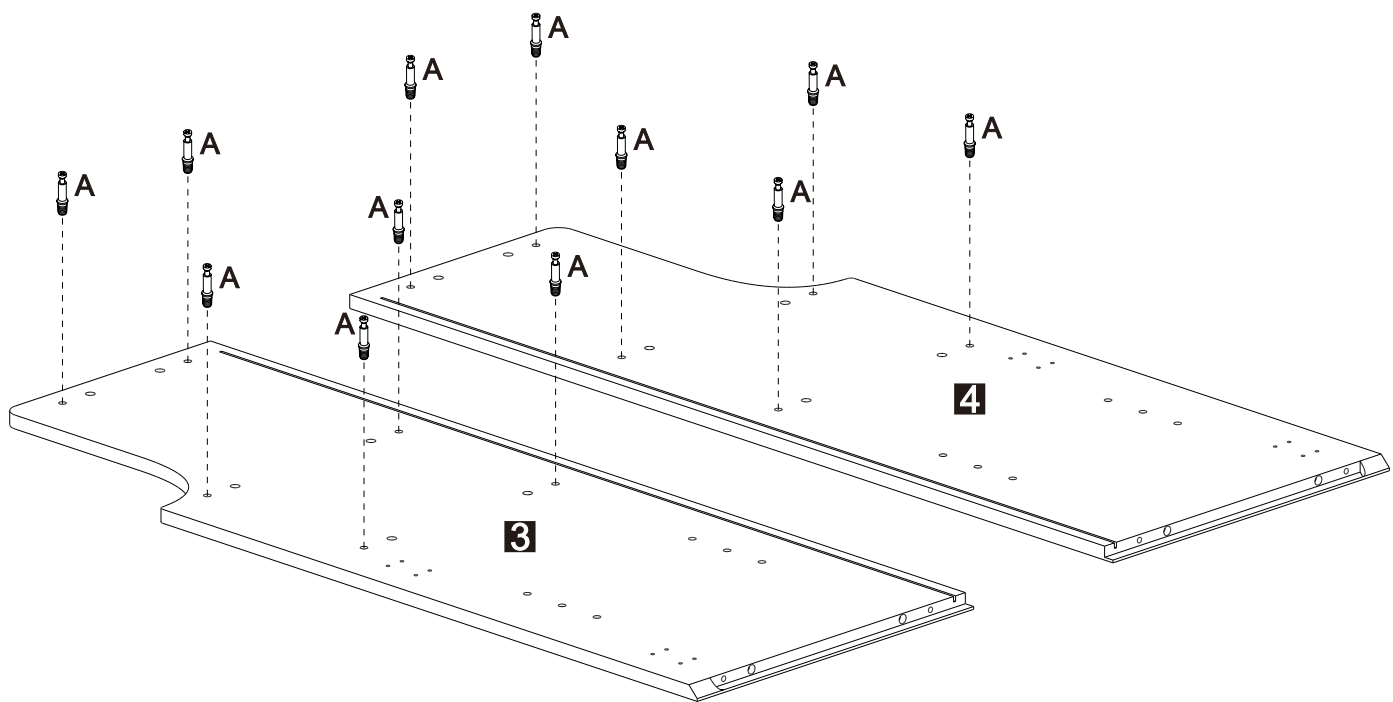
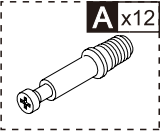
C x2



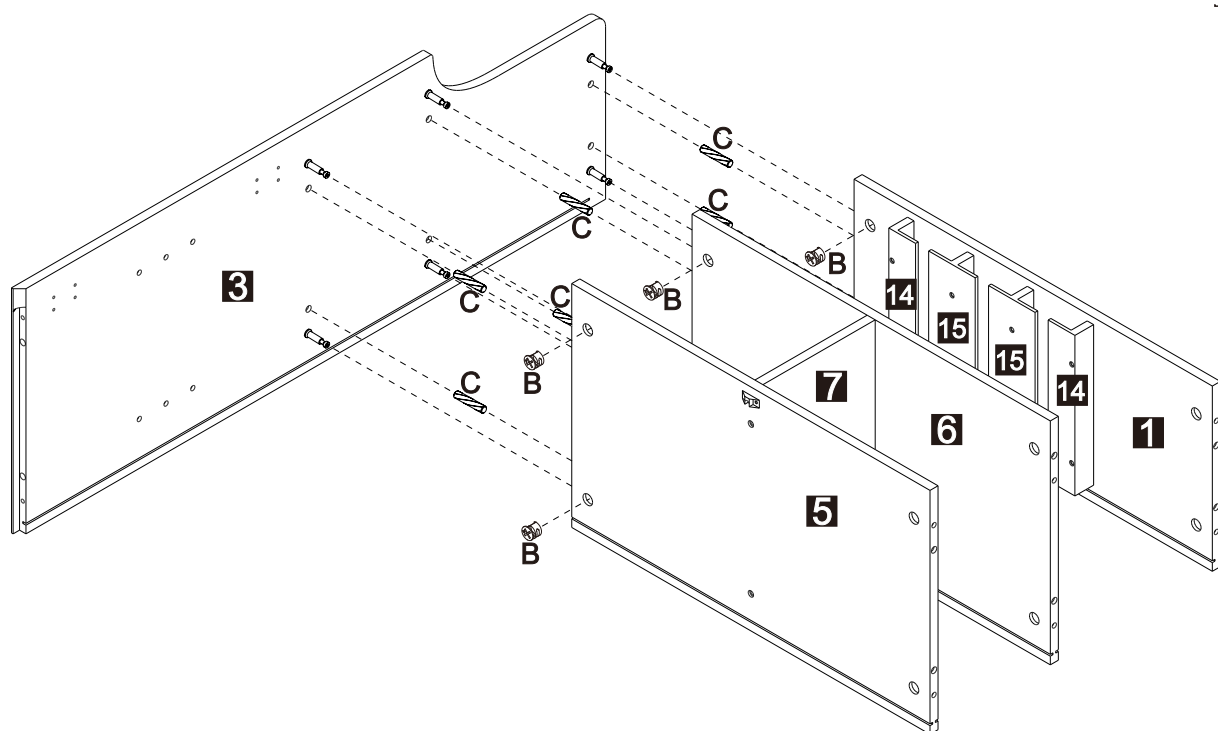
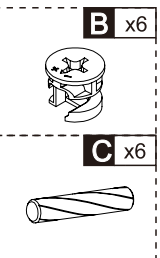
D x2



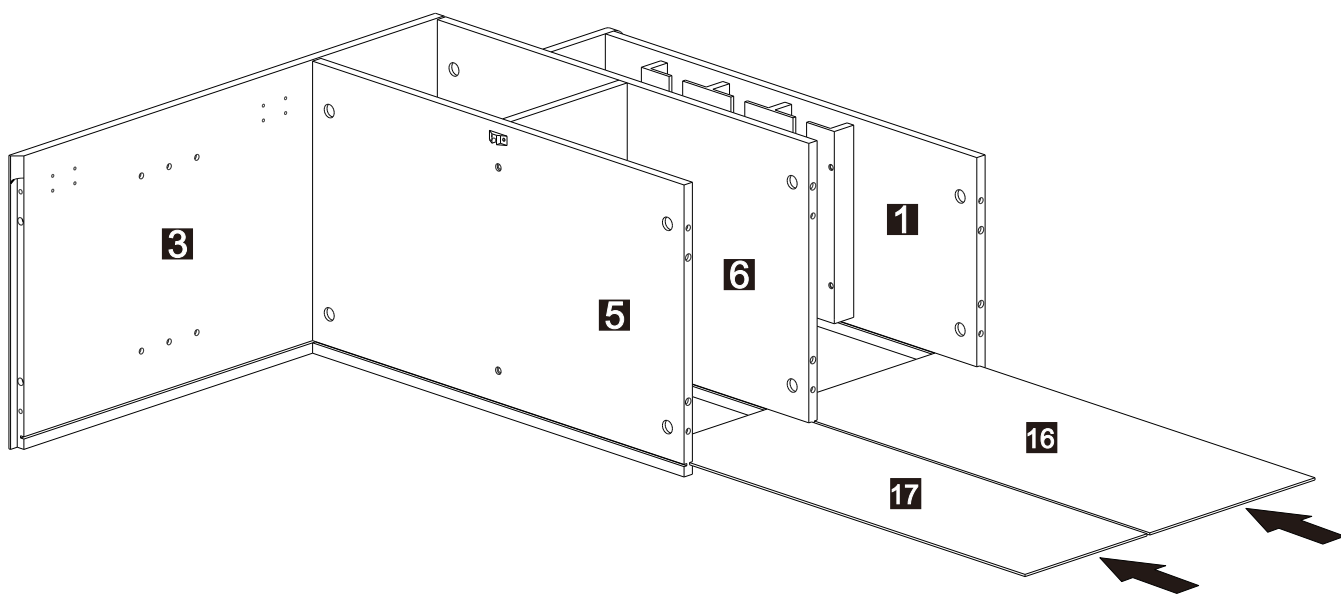
5



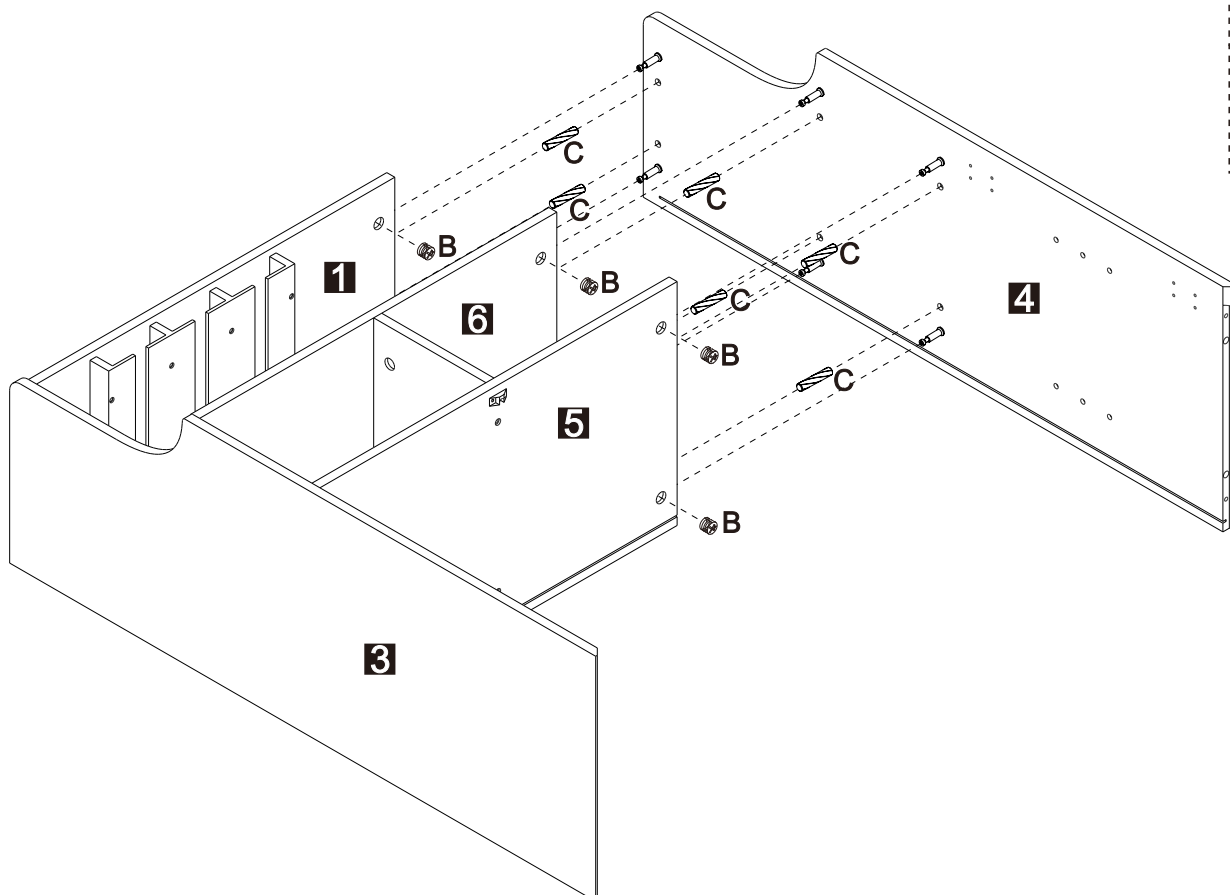
6



7



8



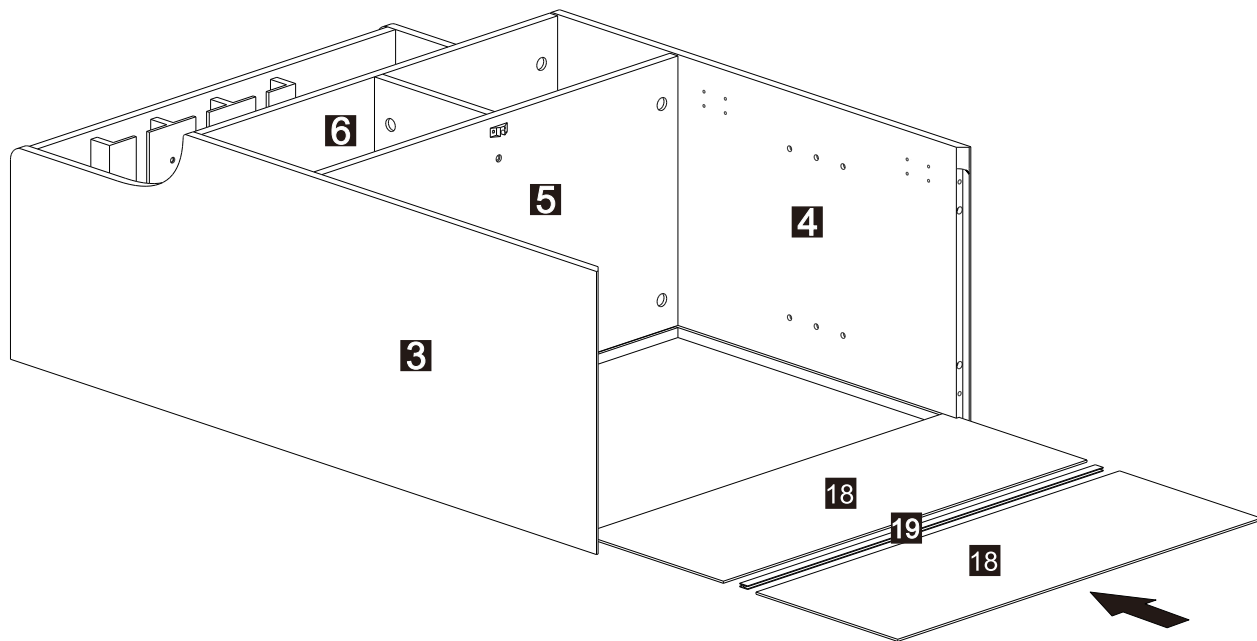
B x6



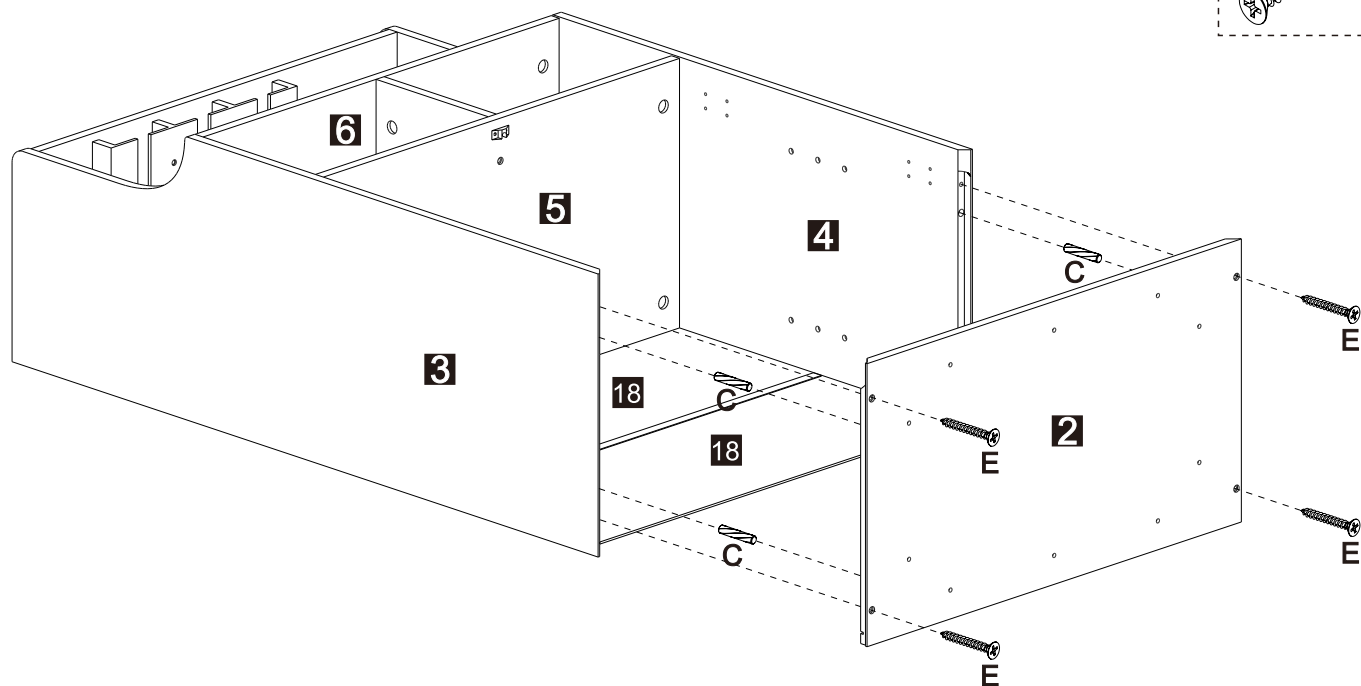
C x6



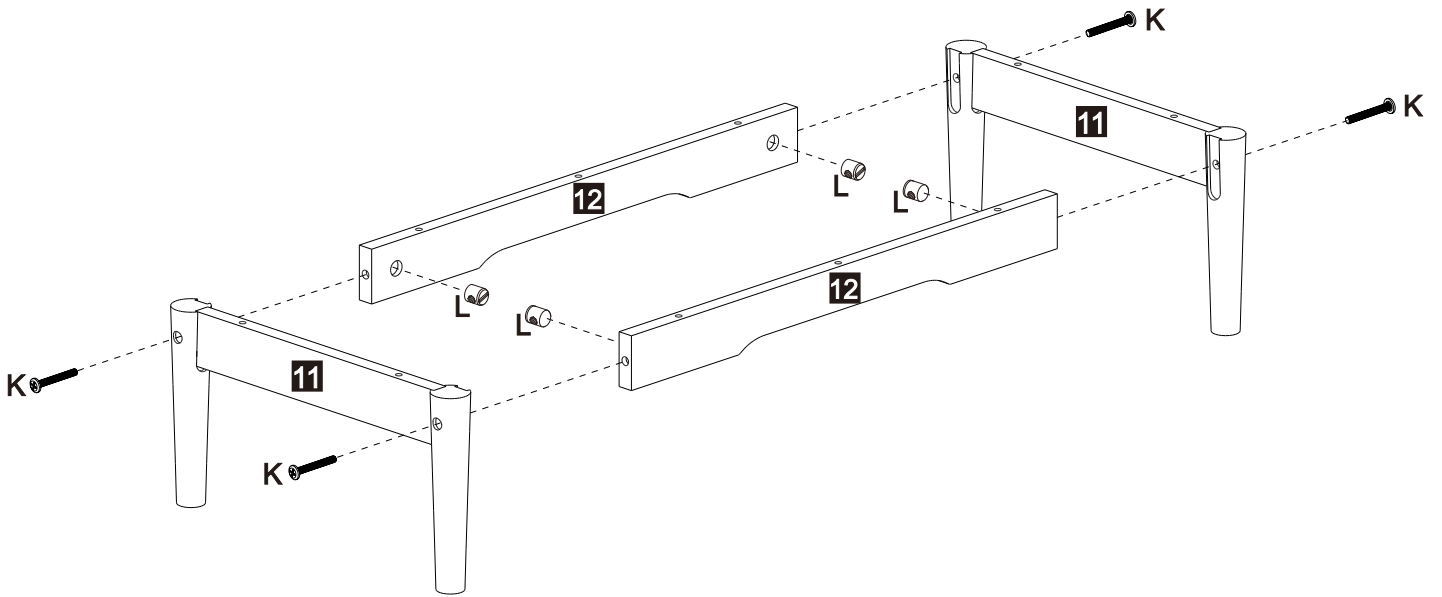
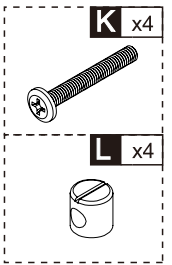
9



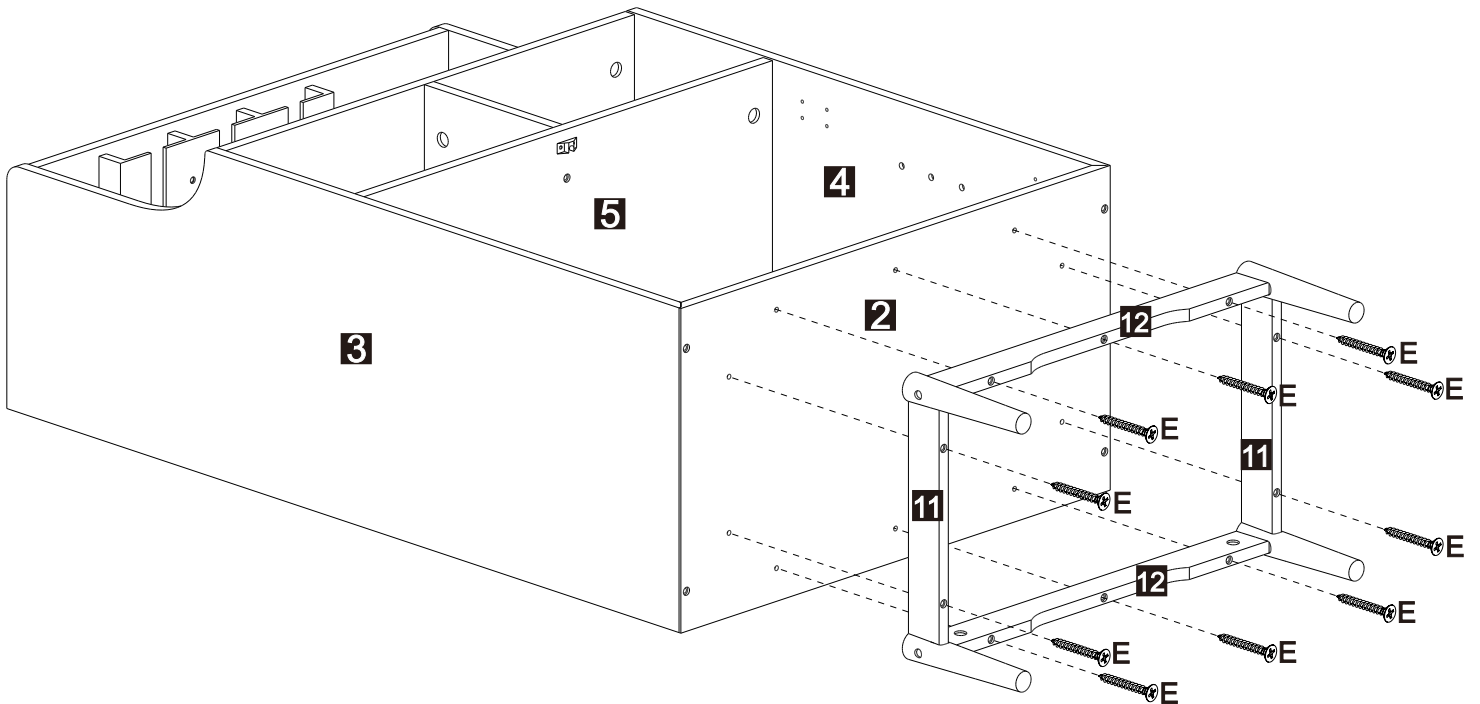
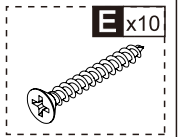
10



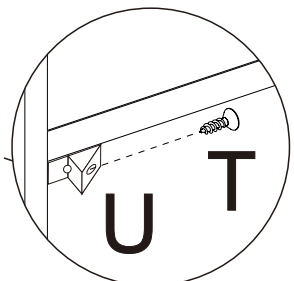
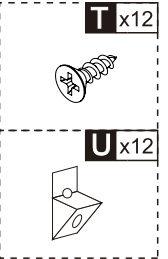
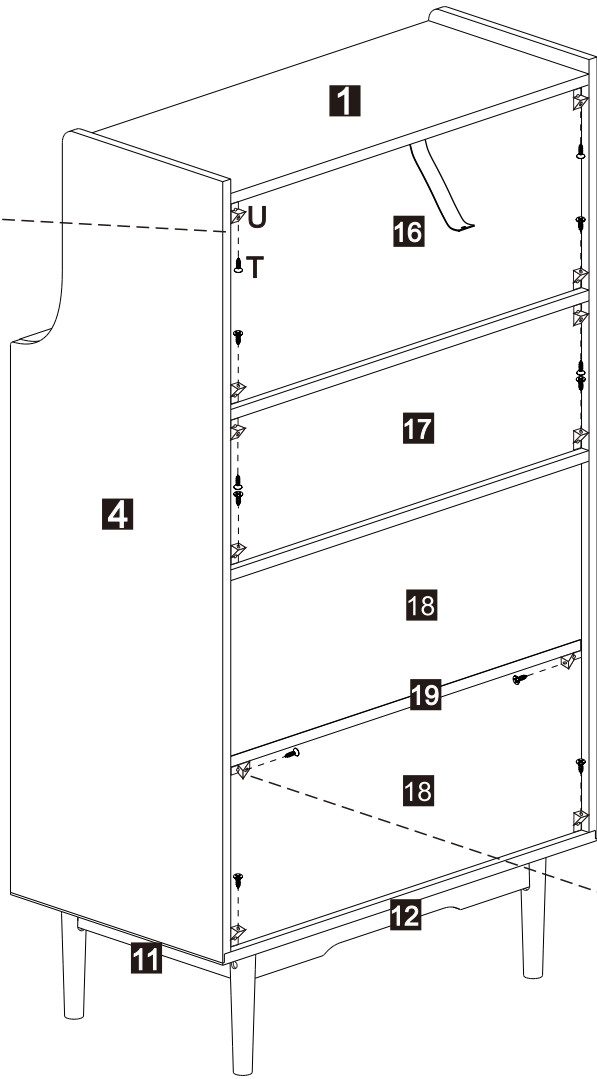
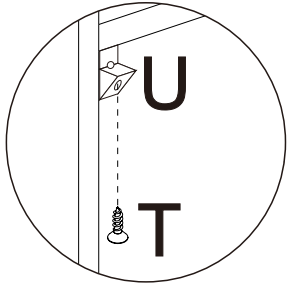
11



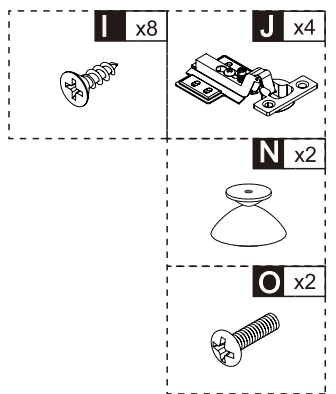
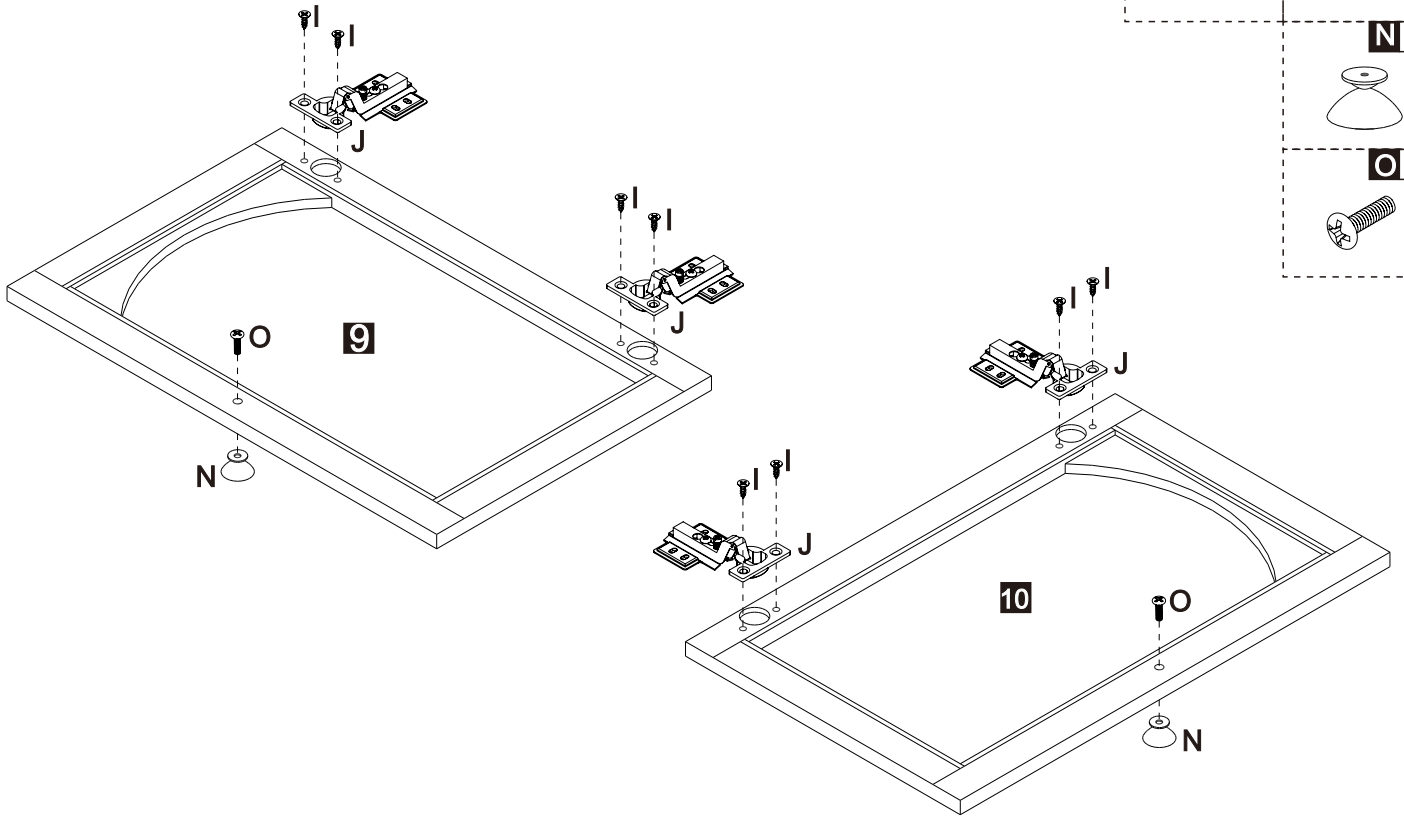
12



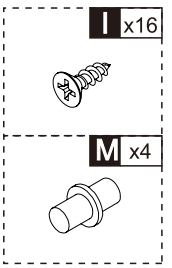
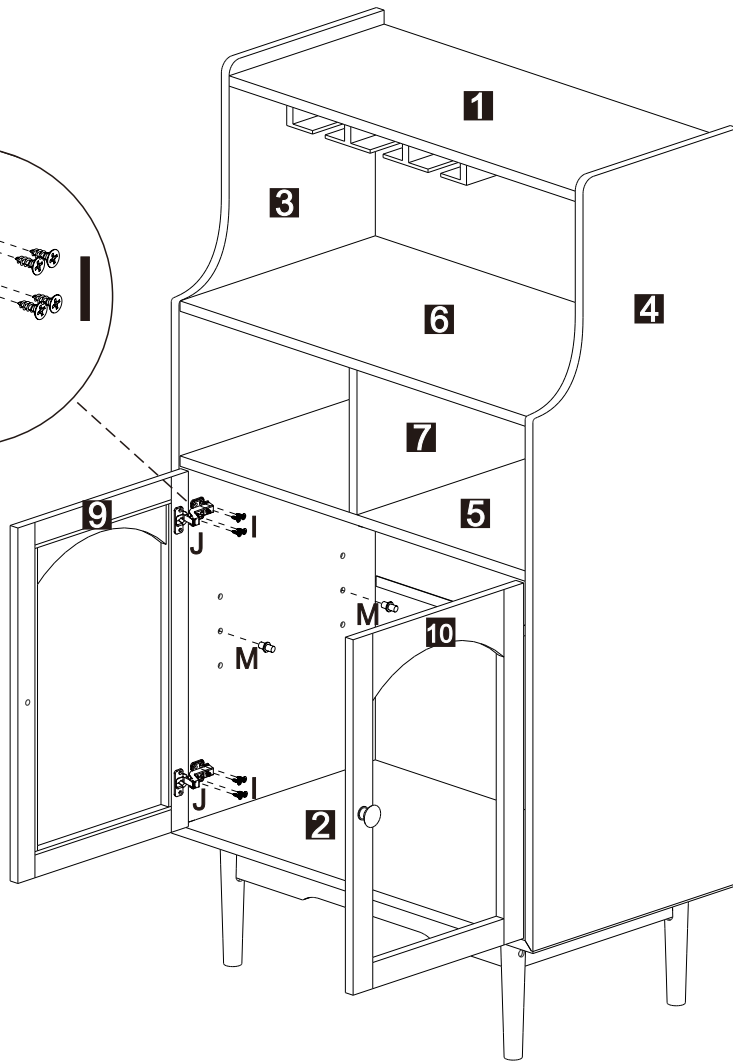
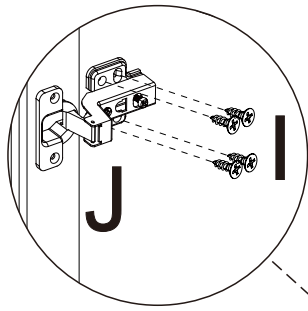
13



14



15



16

