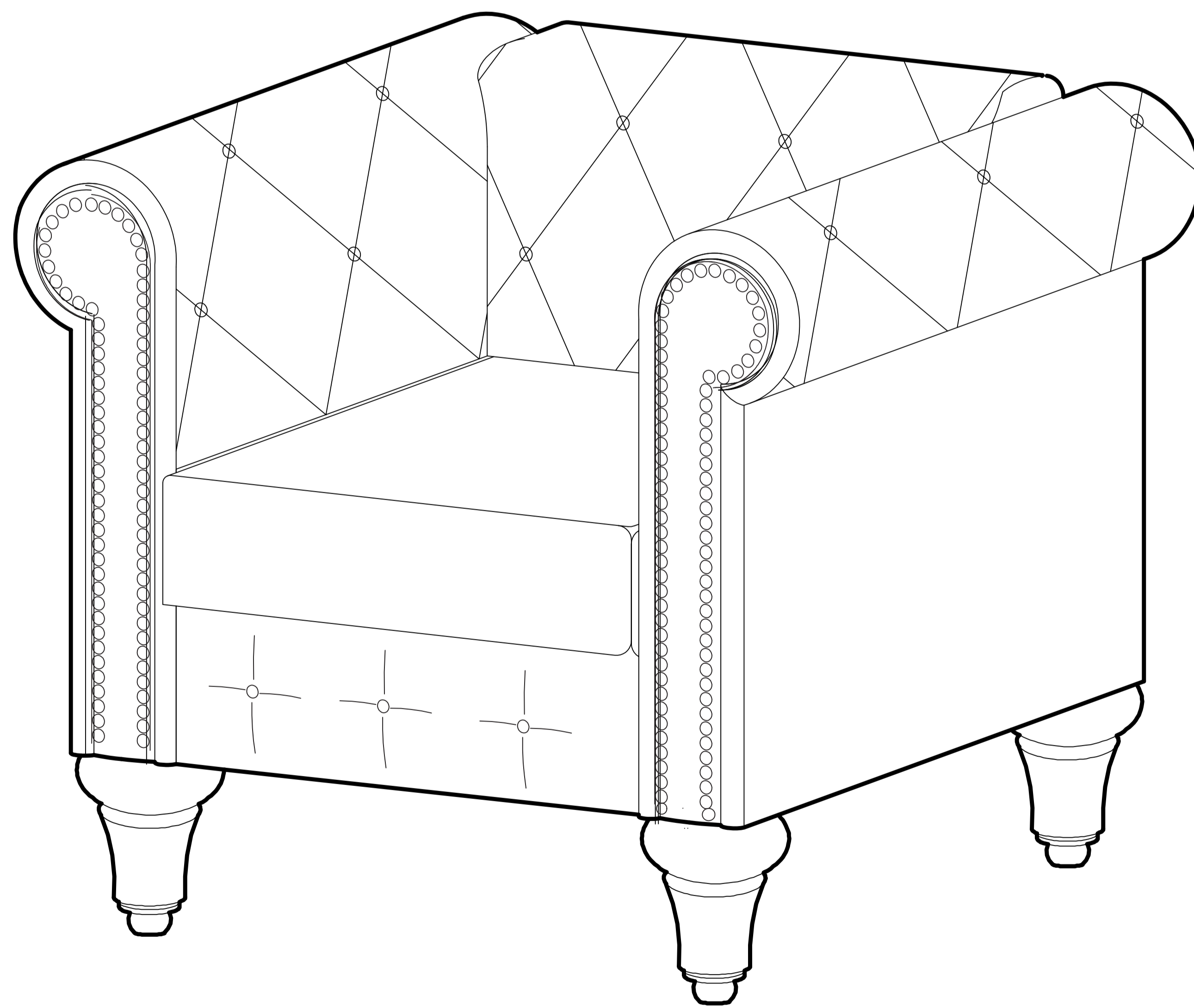


ASSEMBLY INSTRUCTION

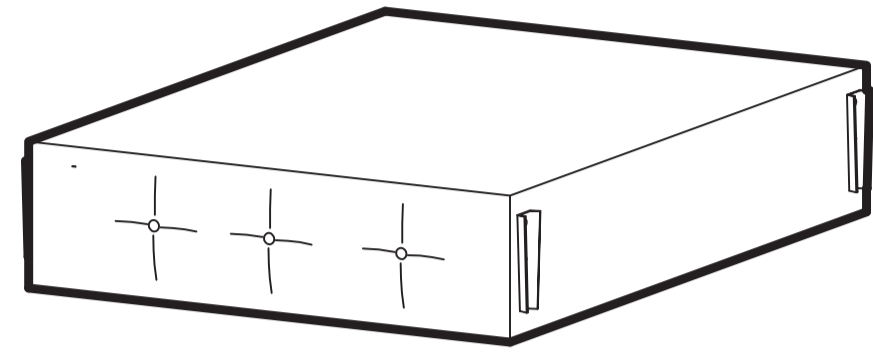
IMPORTANT NOTE:

- ** PLACE ALL PARTS ON A CLEAN AND SMOOTH SURFACE SUCH AS A RUG OR CARPET TO AVOID THE PARTS FROM BEING SCRATCHED.
- ** BEFORE YOU BEGIN , KINDLY FOLLOW THE ASSEMBLY INSTRUCTIONS STEP BY STEP.
- ** DO NOT TIGHTEN ALL SCREWS UNTIL THE CHAIR IS FULLY SET-UP.

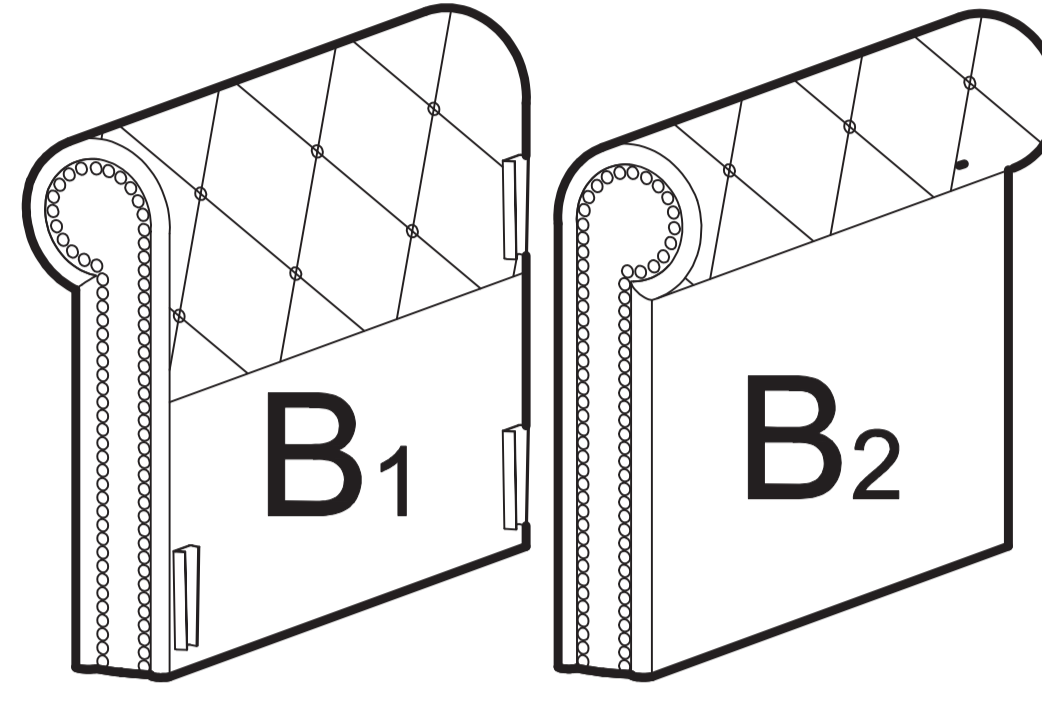
CHAIR



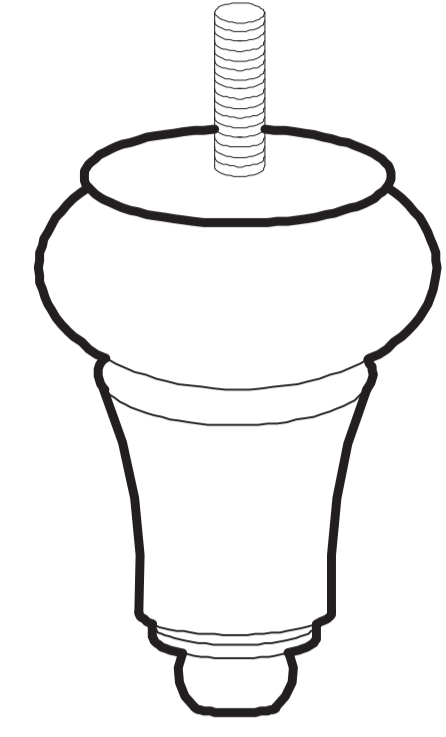
PARTS AND HARDWARE



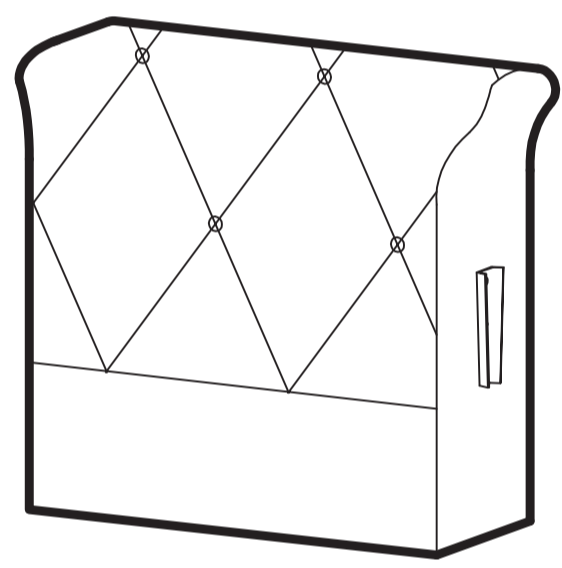
A : CHAIR BODY 1 PC



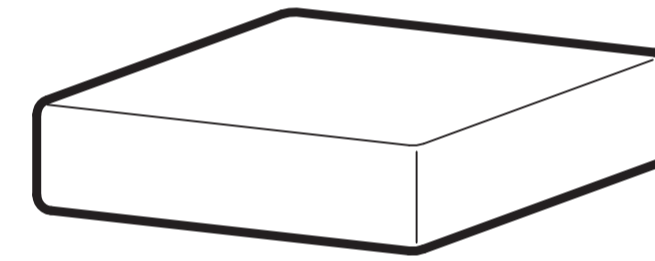
B : ARMREST 2 PCS



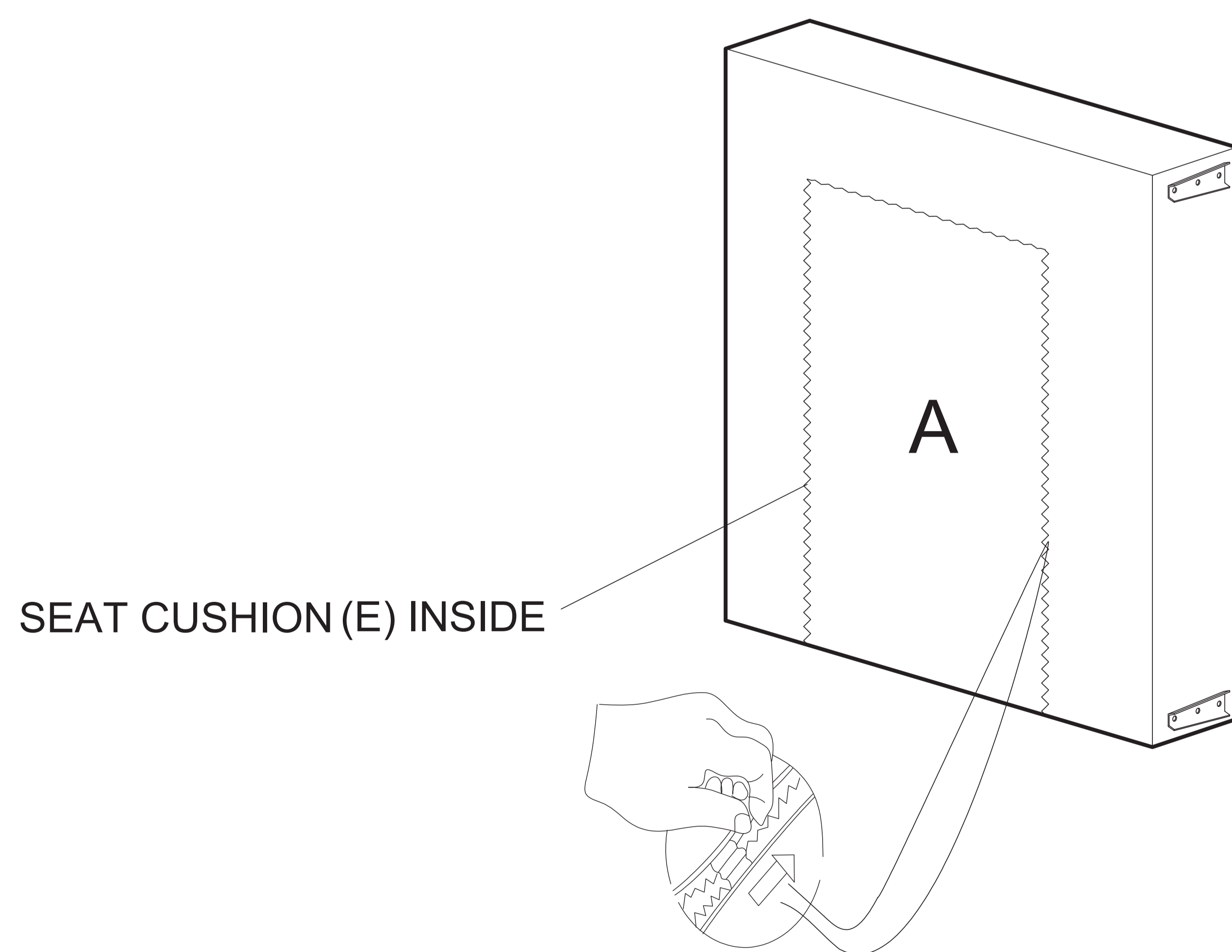
C : LEG 4 PCS



D : BACKREST 1 PC

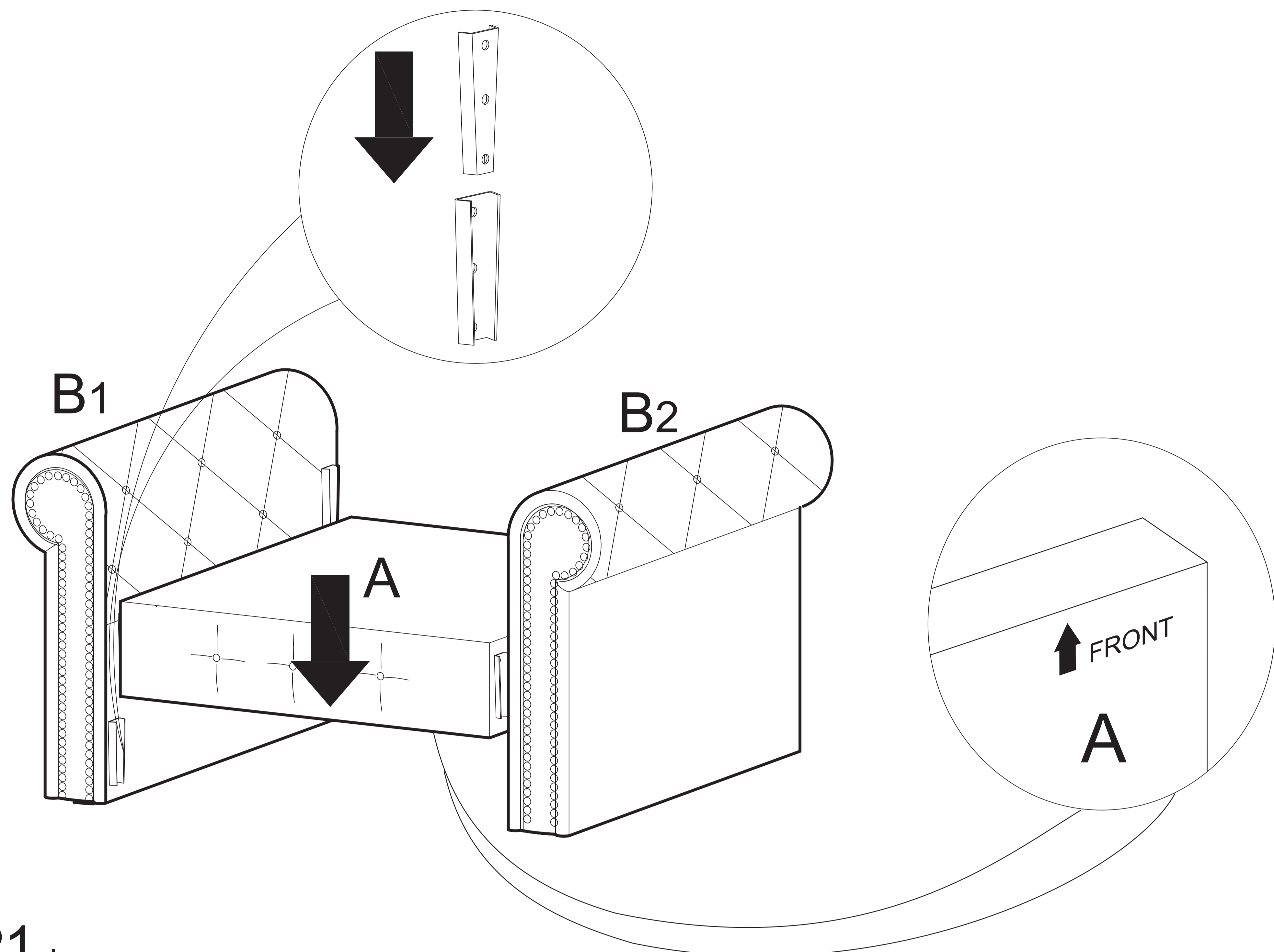


E : SEAT CUSHION 1 PC



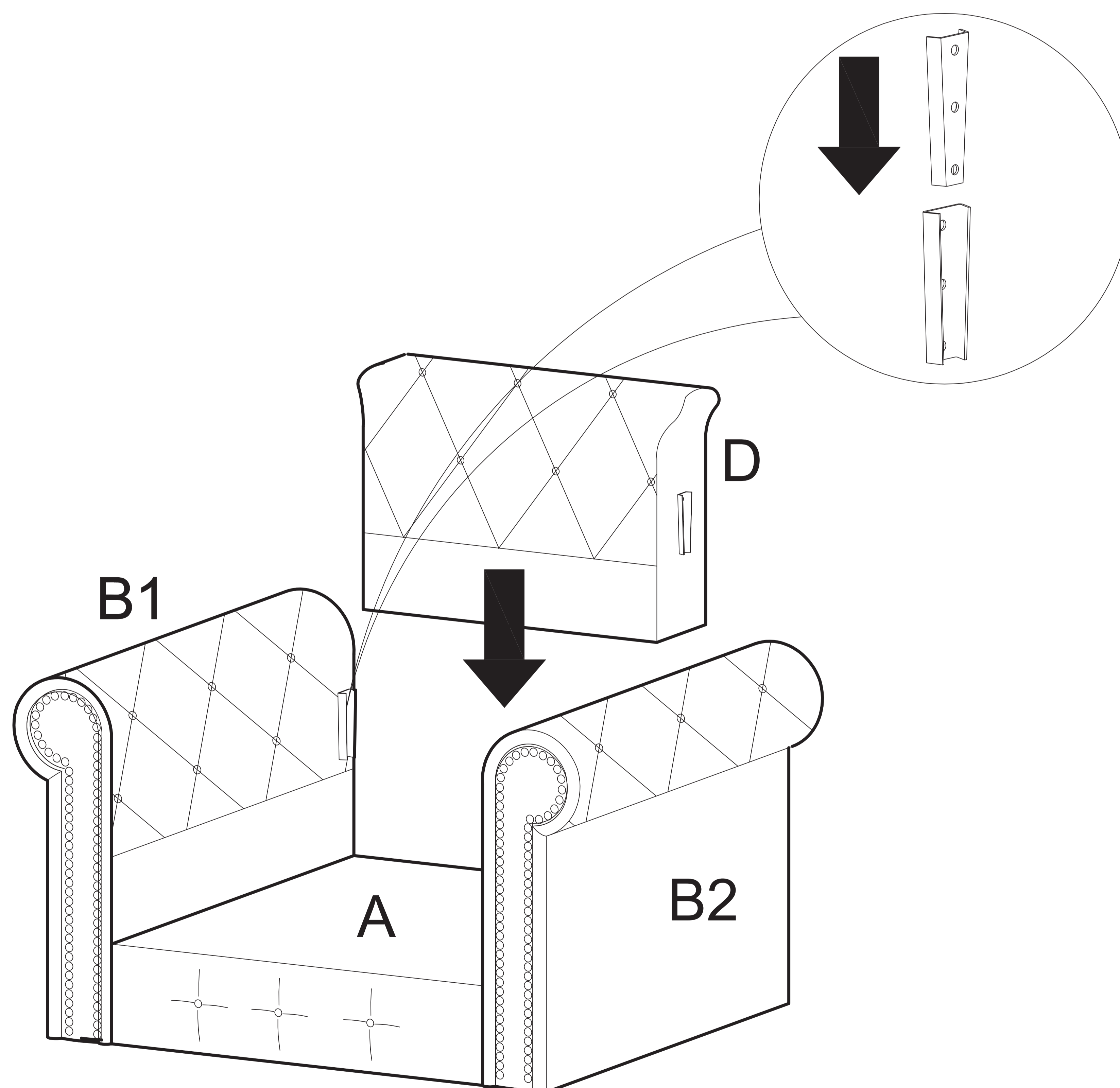
CAREFULLY UNPACK AND PLACE CHAIR BODY(A) UNIT UPRIGHT ON A CLEAN FLAT SURFACE TO SHOW THE BASE AS SHOWN. UNPACK SEAT CUSHION(E) FROM THE ZIPPED STORAGE COMPARTMENT.

ASSEMBLY INSTRUCTIONS



STEP1 :

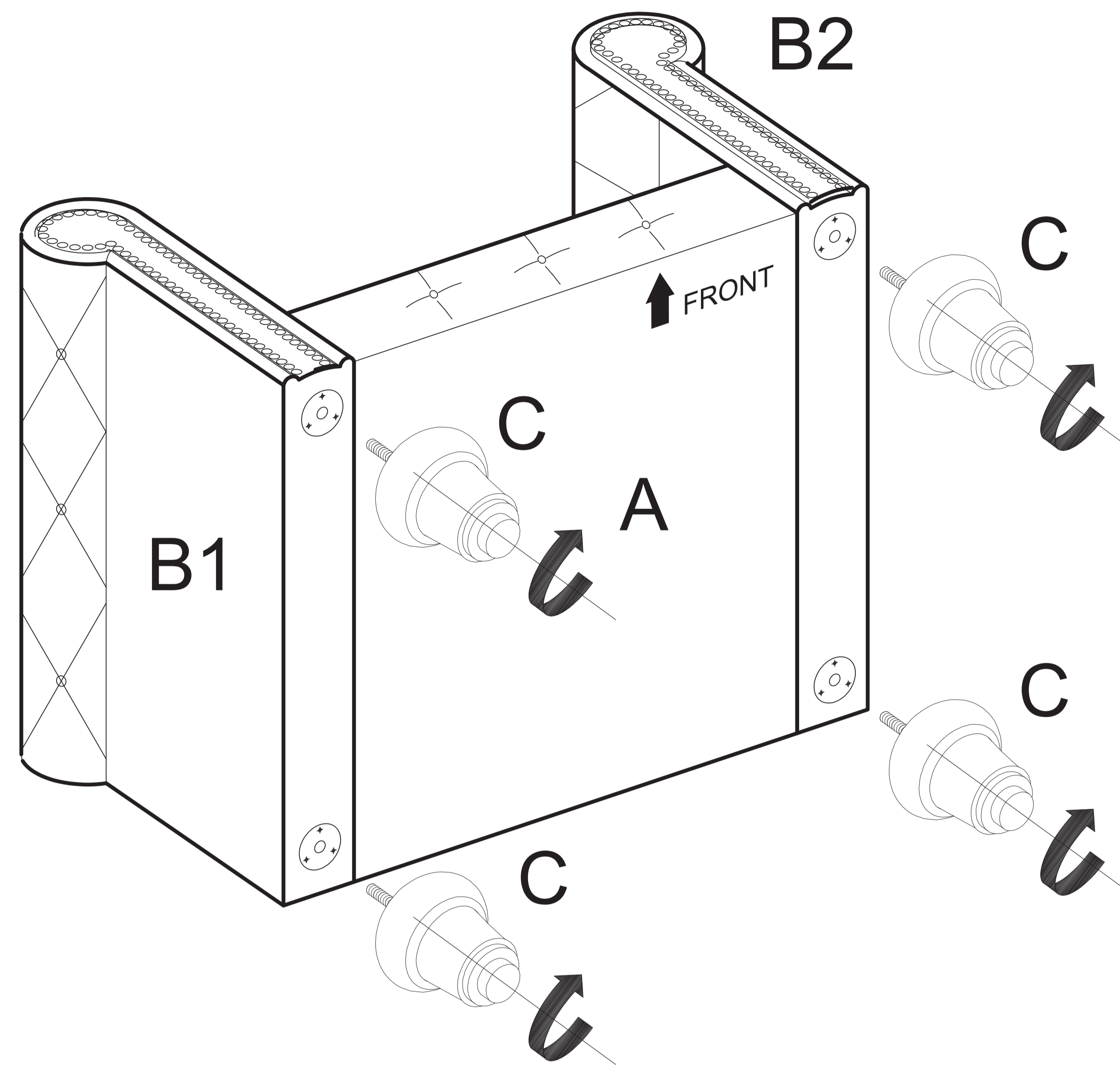
ATTACH THE SEAT FRAME(A) TO THE ARMREST(B1) AND (B2).



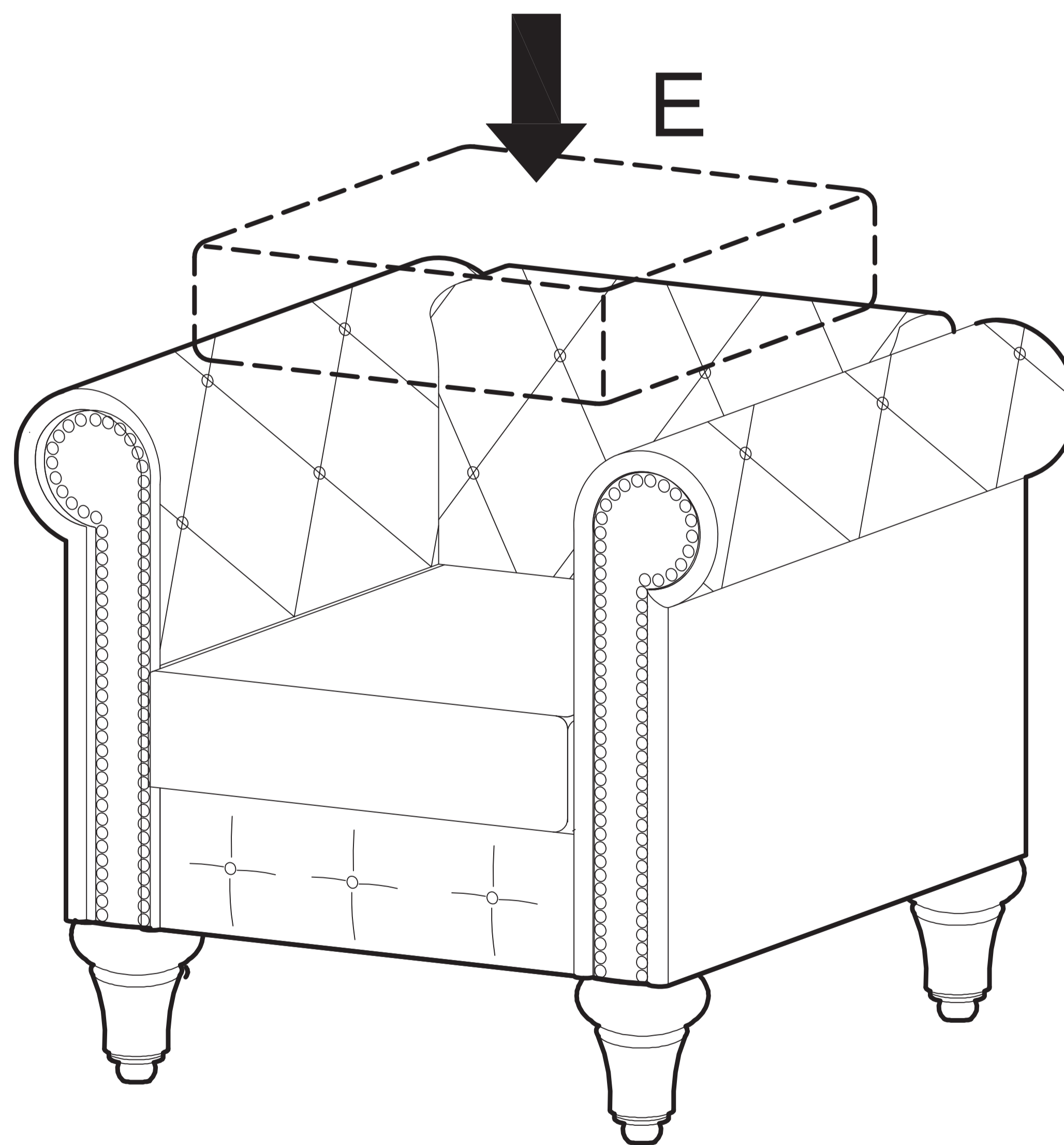
STEP2 :

ATTACH THE BACKREST(D) TO THE ARMREST(B1) AND (B2).

ASSEMBLY INSTRUCTIONS



STEP3:
ATTACH THE LEG(C) TO THE ARMREST(B1) AND (B2)..



STEP4 :
PUT THE SEAT CUSHION (E) TO THE CHAIR.
UNTIL NOW IS COMPLETED.

ASSEMBLY INSTRUCTION

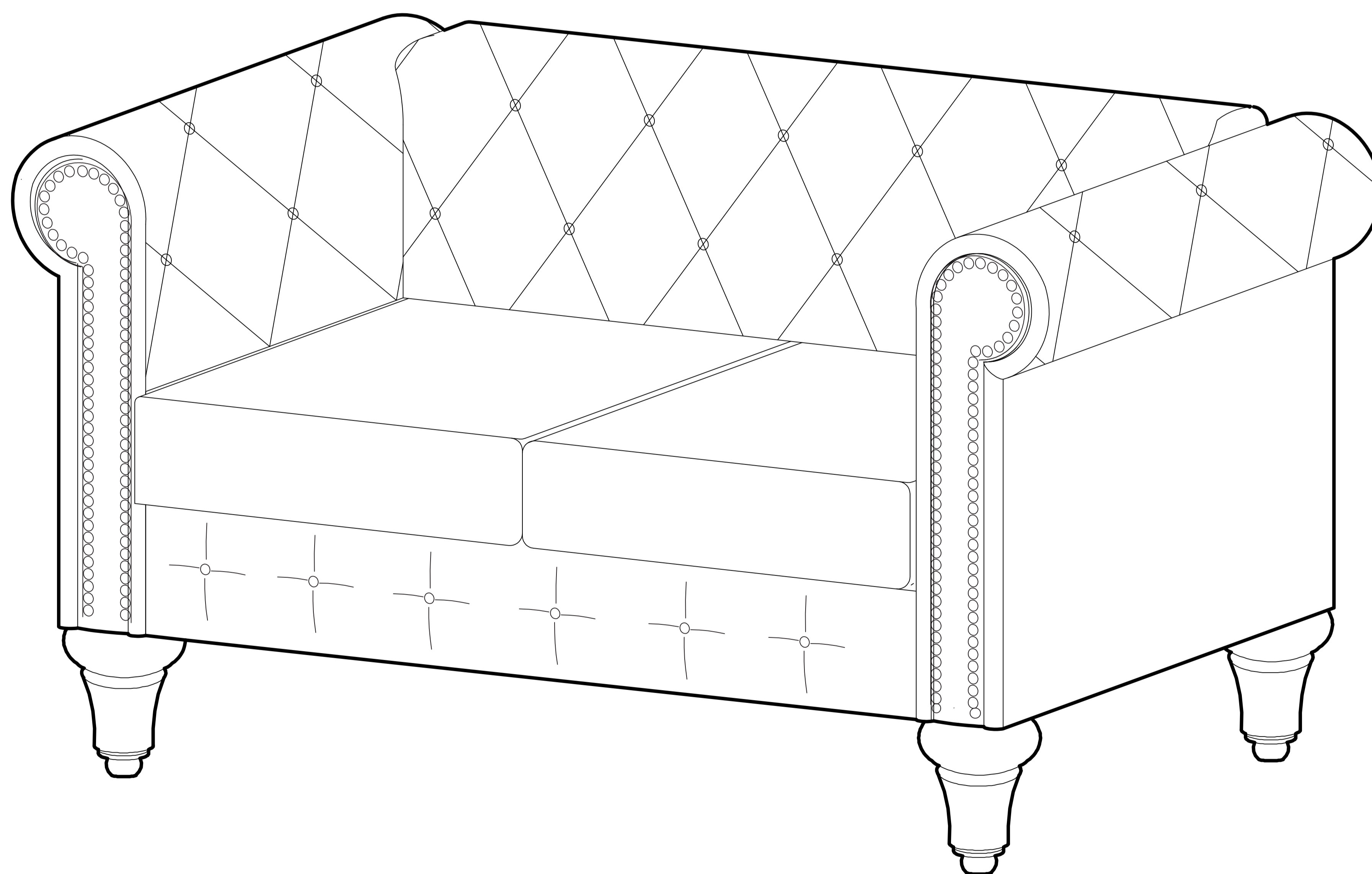
IMPORTANT NOTE:

** PLACE ALL PARTS ON A CLEAN AND SMOOTH SURFACE SUCH AS A RUG OR CARPET TO AVOID THE PARTS FROM BEING SCRATCHED.

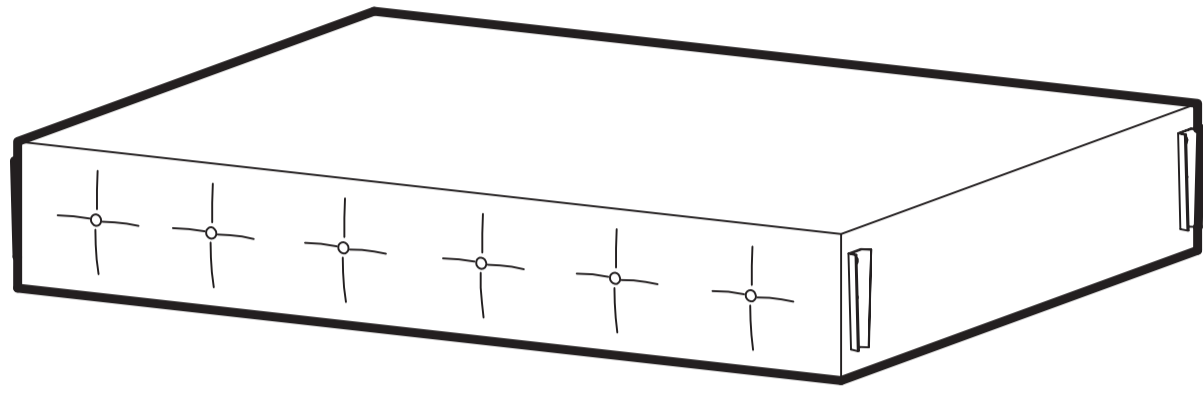
** BEFORE YOU BEGIN , KINDLY FOLLOW THE ASSEMBLY INSTRUCTIONS STEP BY STEP.

** DO NOT TIGHTEN ALL SCREWS UNTIL THE LOVESEAT IS FULLY SET-UP.

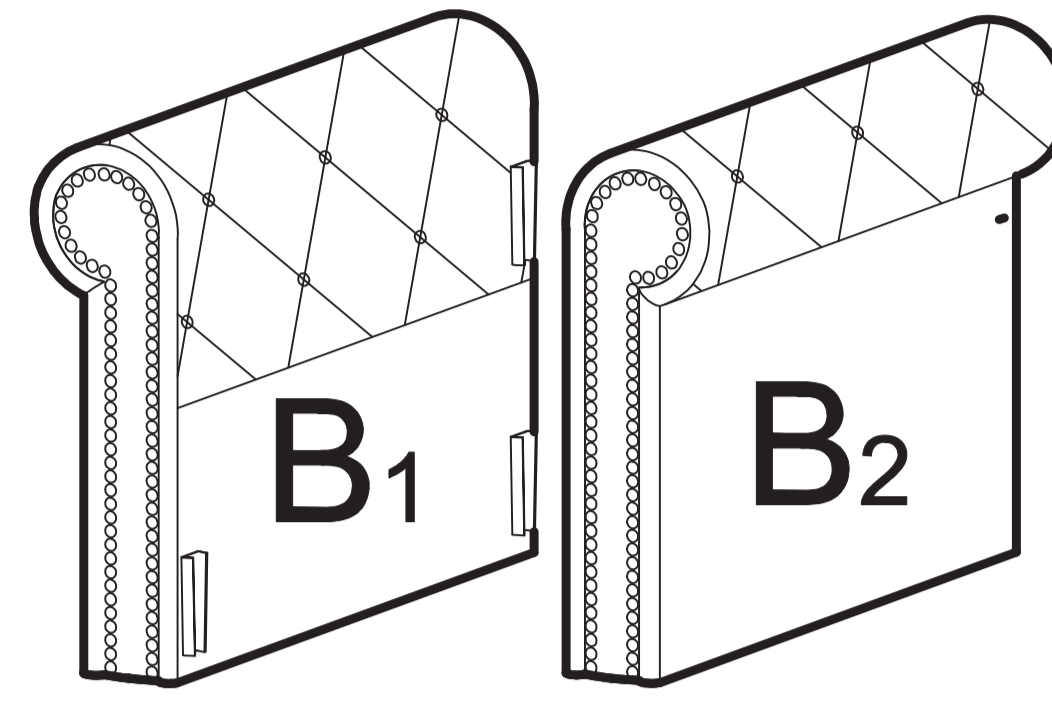
LOVESEAT



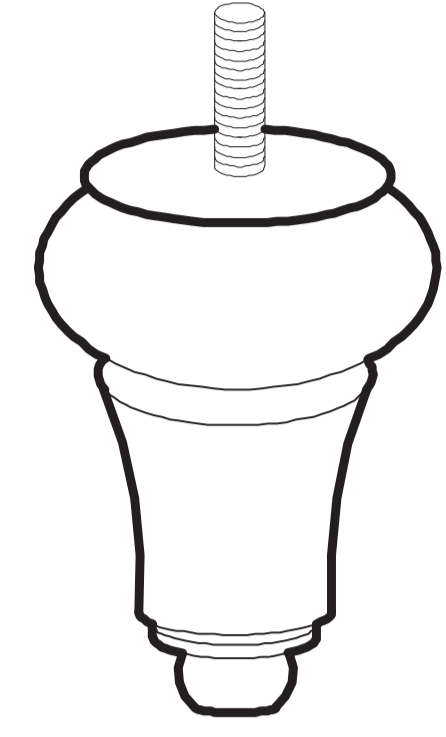
PARTS AND HARDWARE



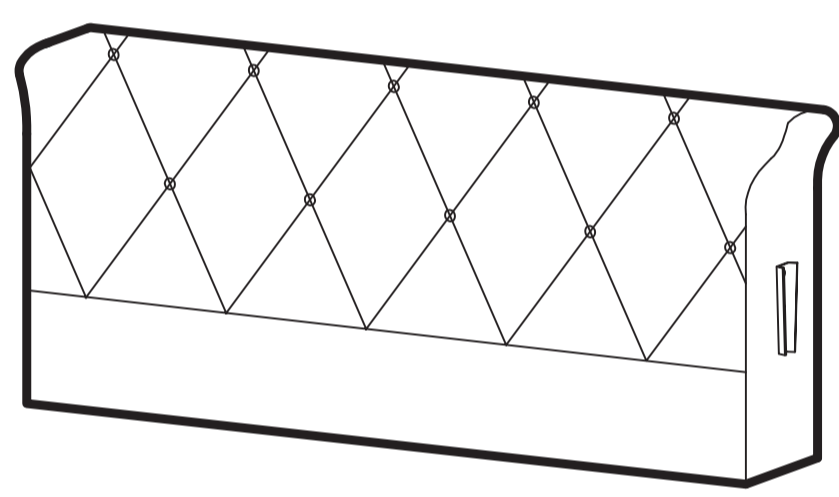
A : LOVESEAT BODY 1 PC



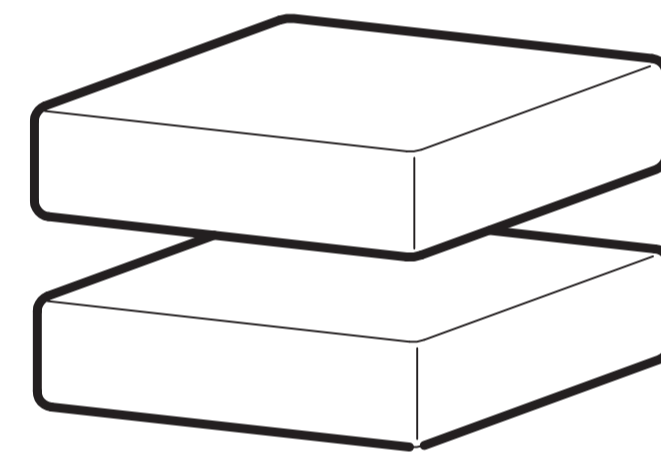
B : ARMREST 2 PCS



C : LEG 4 PCS

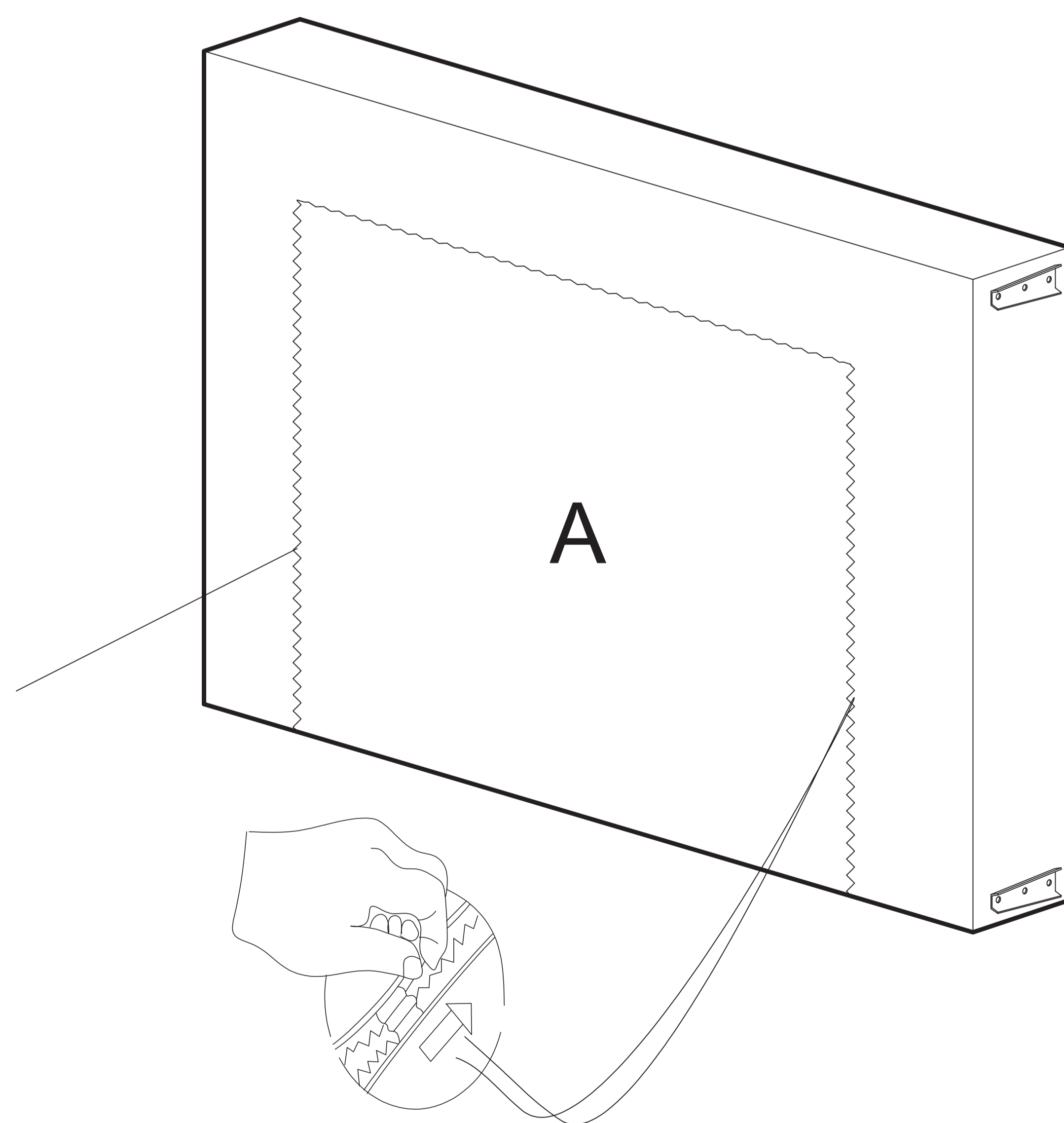


D : BACKREST 1 PC



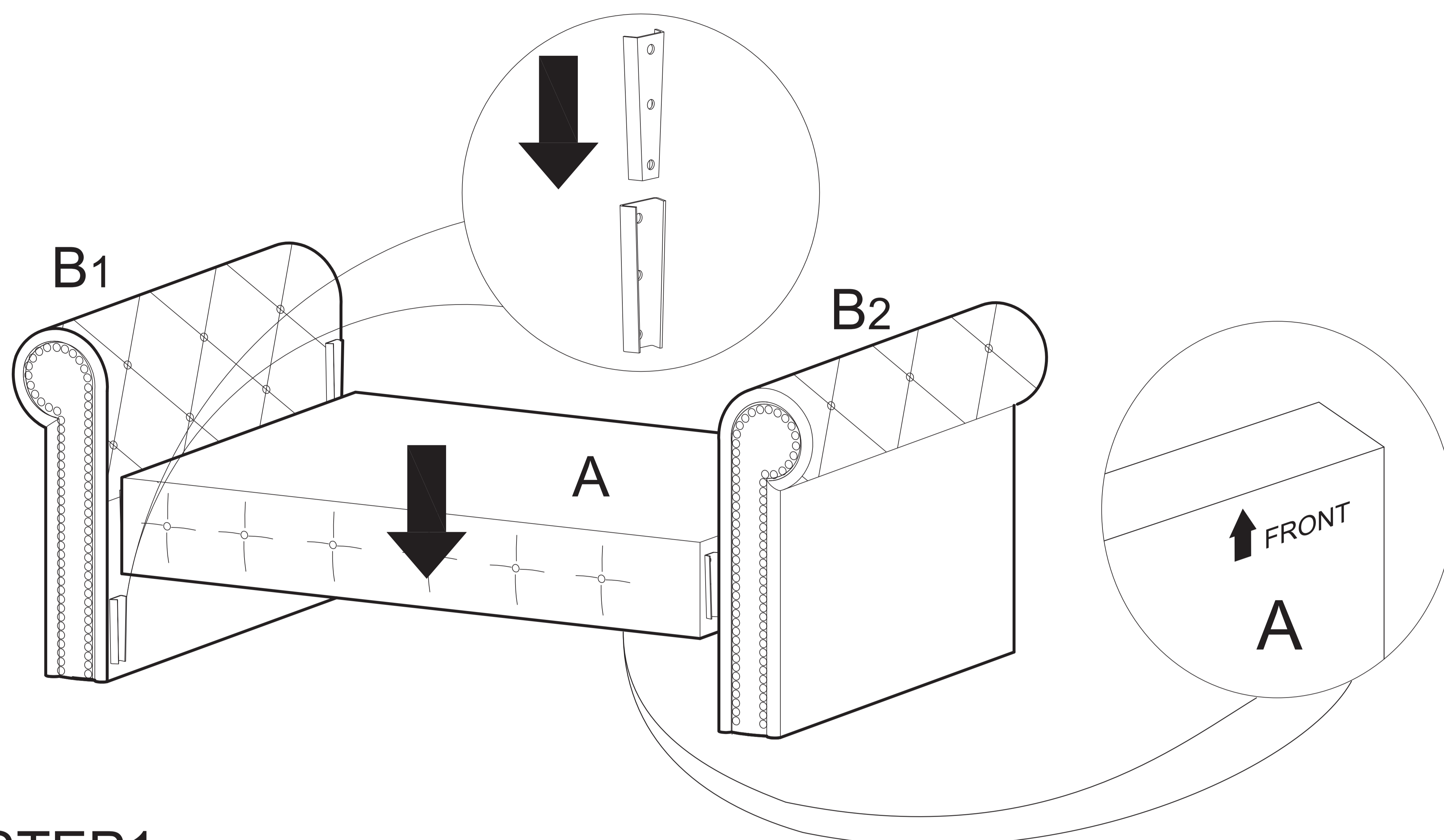
E : SEAT CUSHION 2 PCS

LEG(C) AND SEAT
CUSHTION(E)
INSIDE



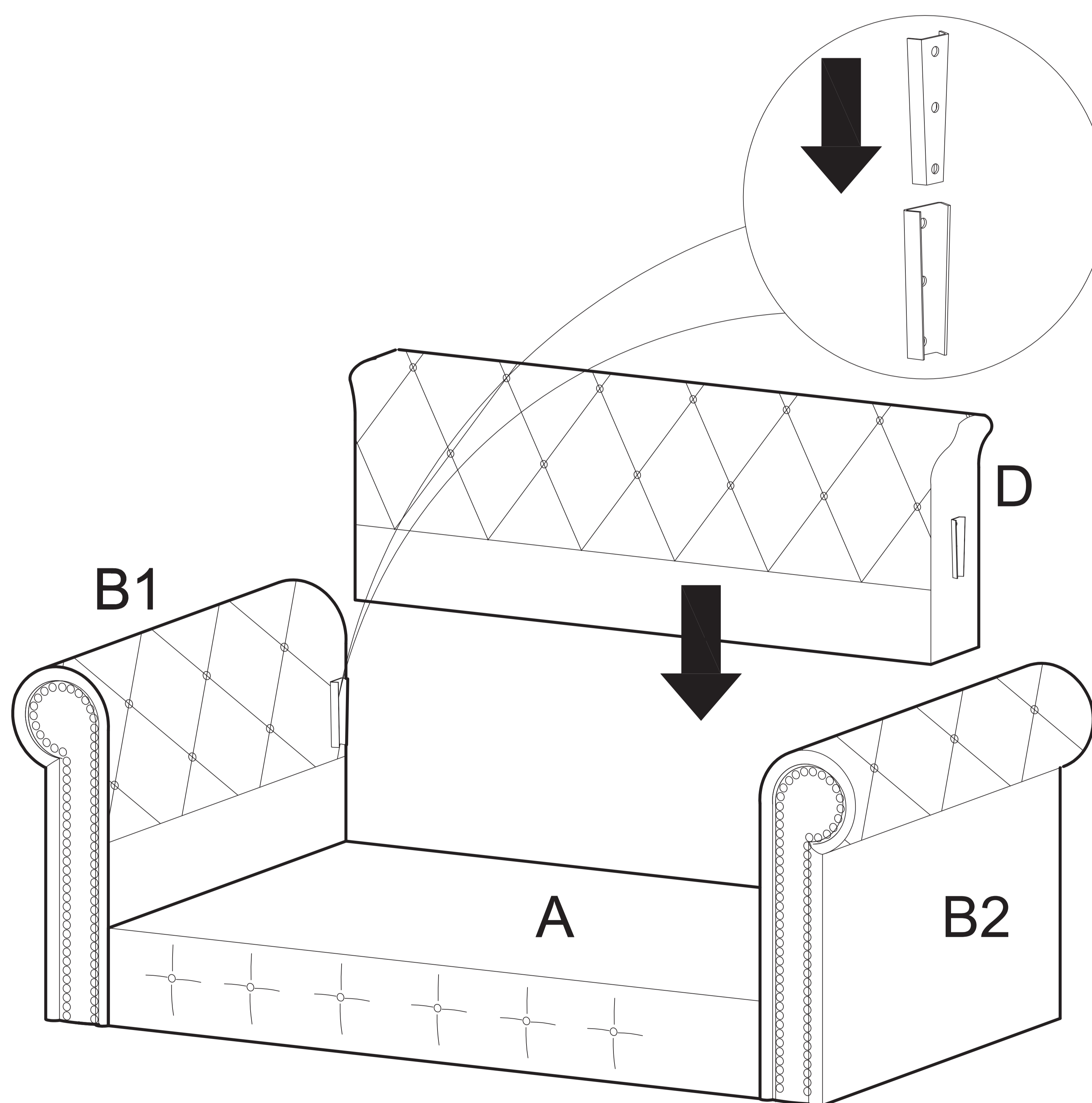
CAREFULLY UNPACK AND PLACE LOVESEAT BODY UNIT UPRIGHT ON A CLEAN FLAT SURFACE TO SHOW THE BASE AS SHOWN. UNPACK SEAT CUSHION(E) AND LEGS(C) FROM THE ZIPPED STORAGE COMPARTMENT.

ASSEMBLY INSTRUCTIONS



STEP1 :

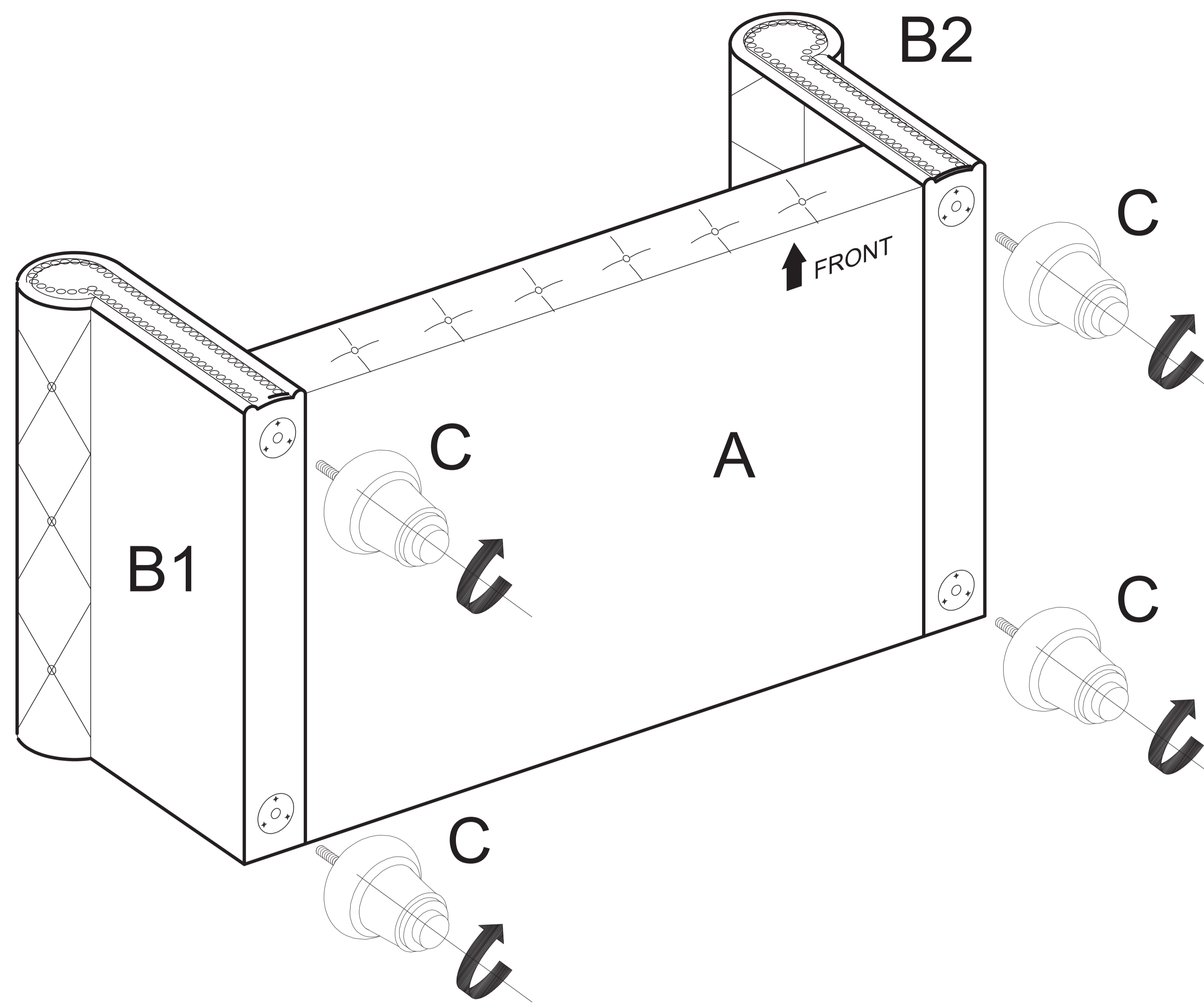
ATTACH THE SEAT FRAME(A) TO THE ARMREST(B1) AND (B2).



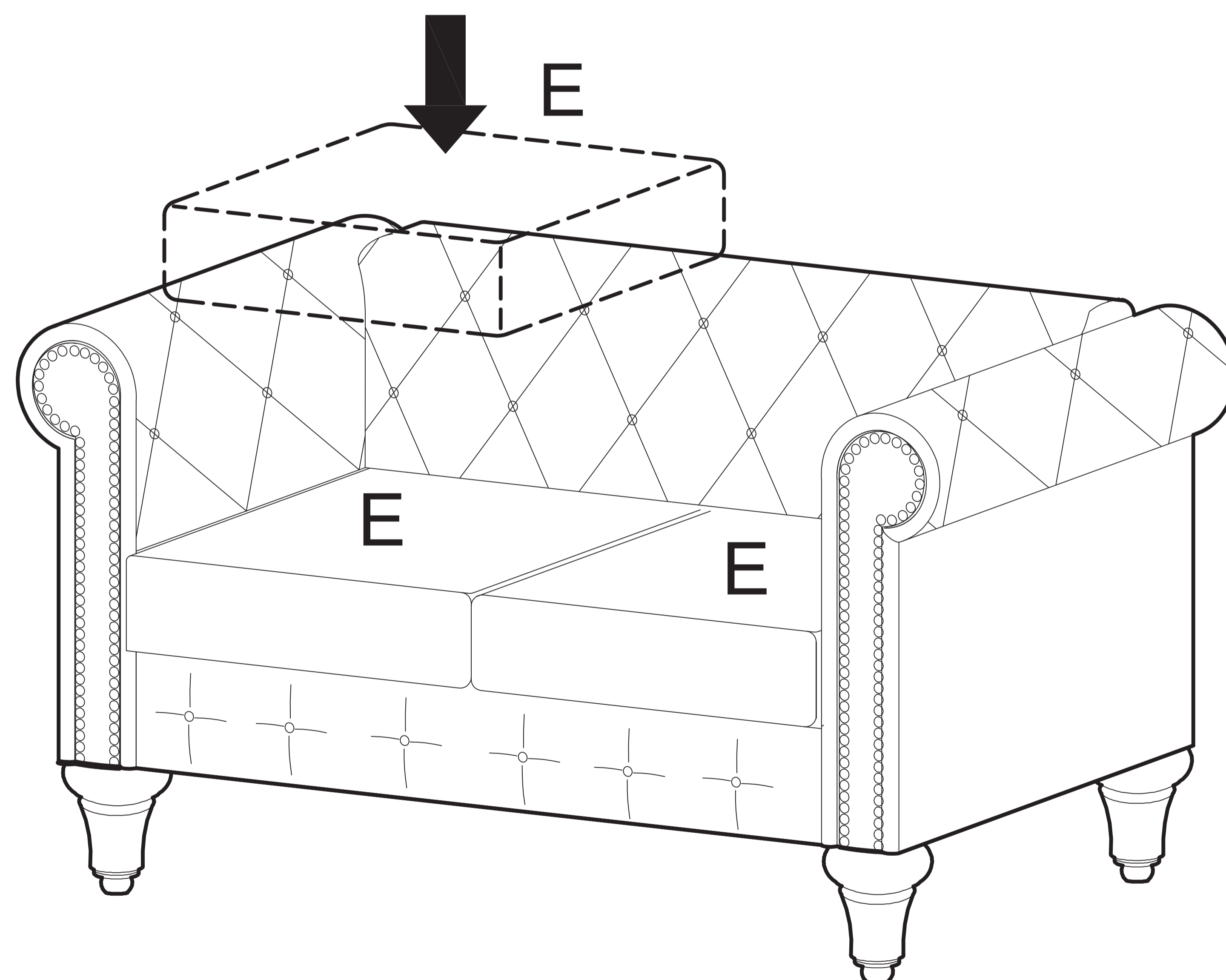
STEP2 :

ATTACH THE BACKREST(D) TO THE ARMREST(B1) AND (B2).

ASSEMBLY INSTRUCTIONS



STEP3:
ATTACH THE LEG(C) TO THE ARMREST(B1) AND (B2)..



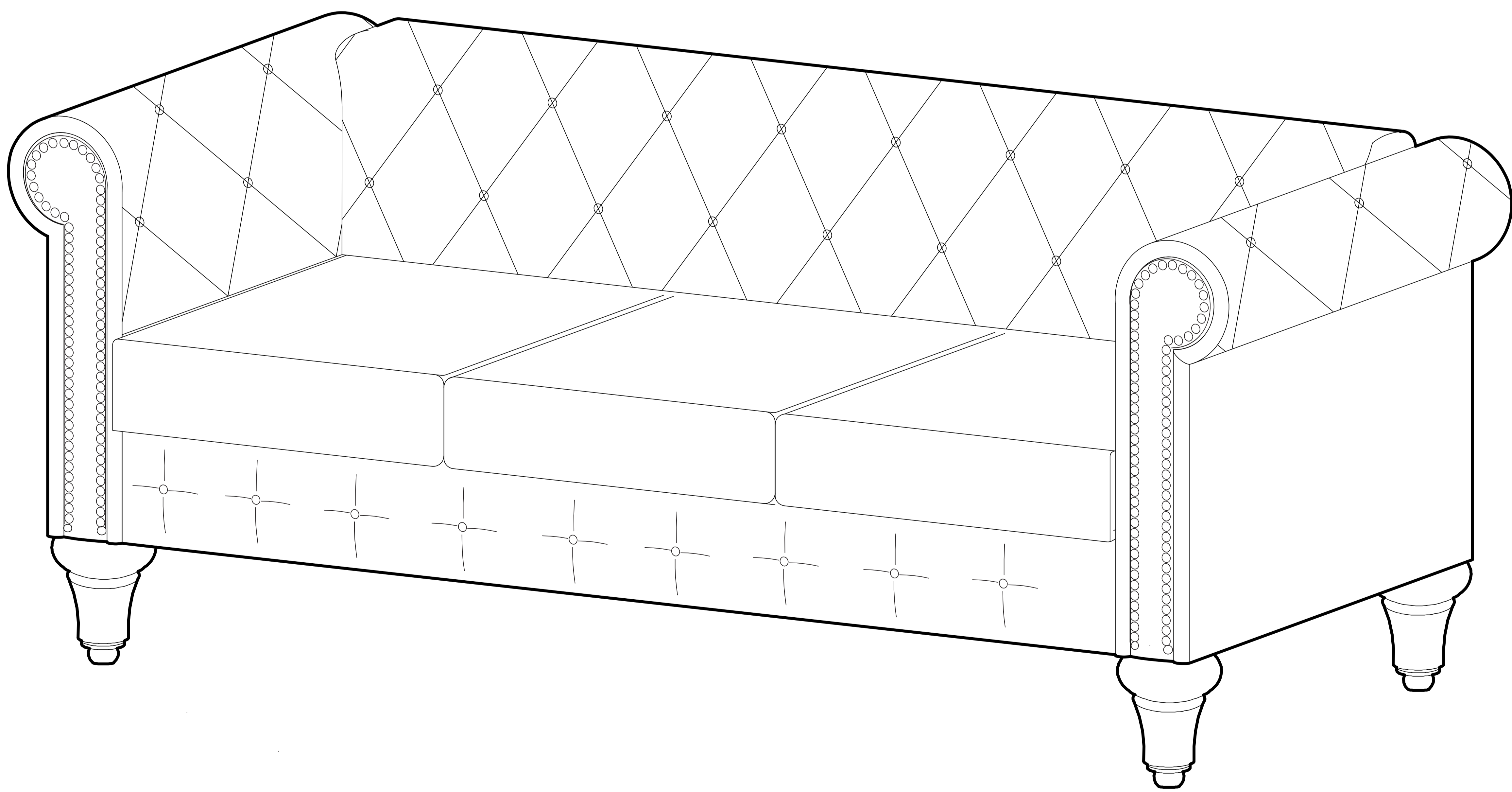
STEP4 :
PUT THE SEAT CUSHION (E) TO THE LOVESEAT.
UNTIL NOW IS COMPLETED.

ASSEMBLY INSTRUCTION

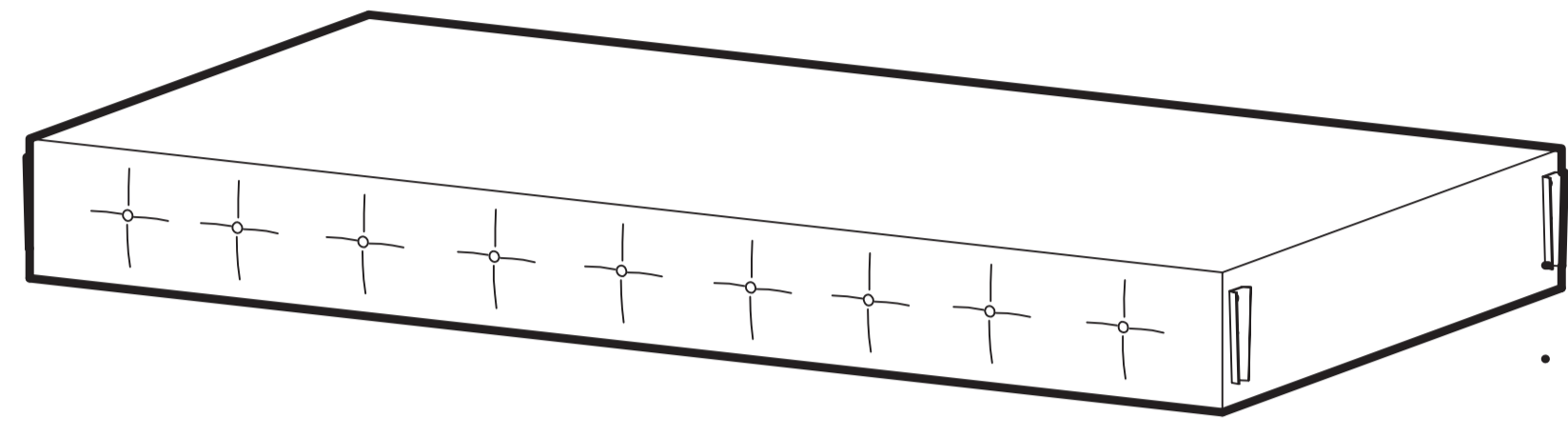
IMPORTANT NOTE:

- ** PLACE ALL PARTS ON A CLEAN AND SMOOTH SURFACE SUCH AS A RUG OR CARPET TO AVOID THE PARTS FROM BEING SCRATCHED.
- ** BEFORE YOU BEGIN , KINDLY FOLLOW THE ASSEMBLY INSTRUCTIONS STEP BY STEP.
- ** DO NOT TIGHTEN ALL SCREWS UNTIL THE SOFA IS FULLY SET-UP.

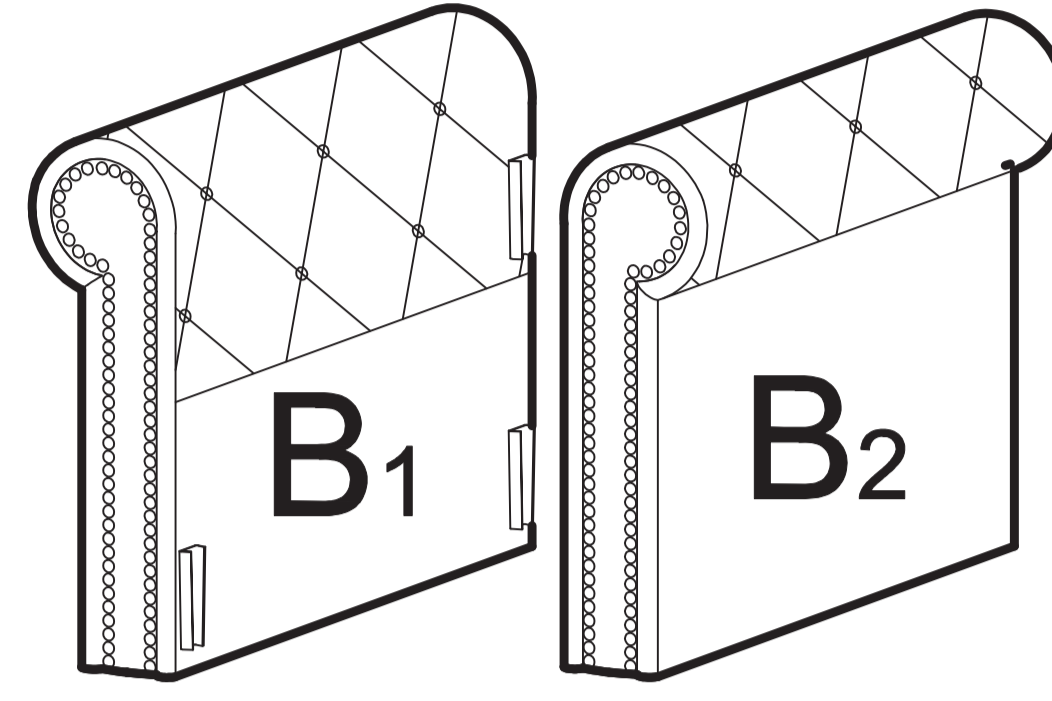
SOFA



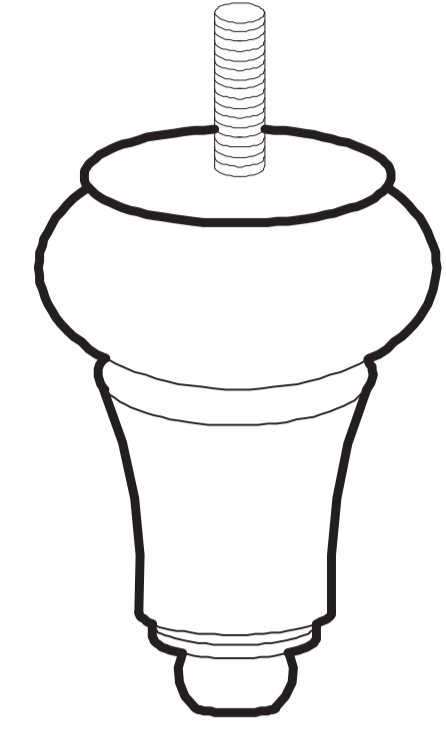
PARTS AND HARDWARE



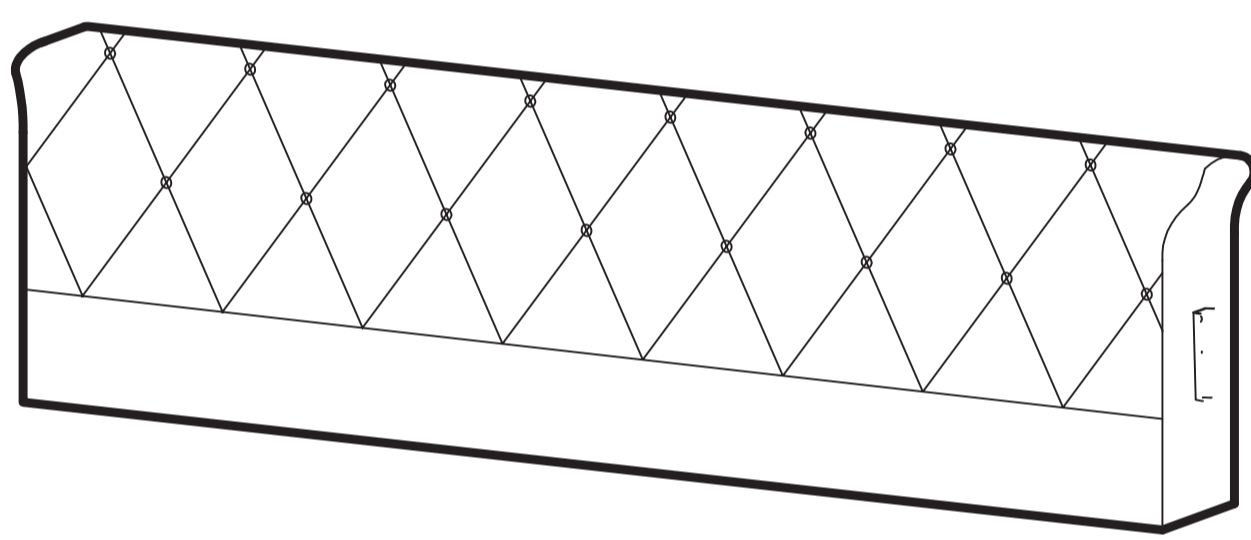
A : SOFA BODY 1 PC



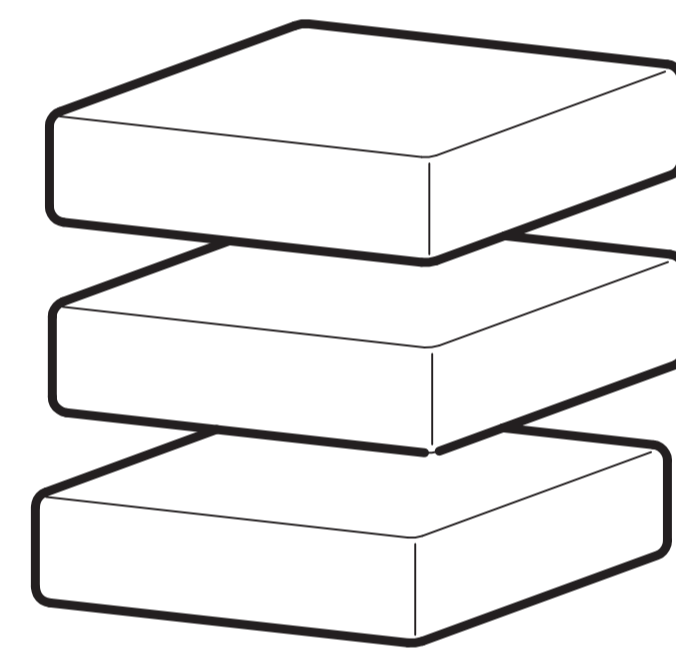
B : ARMREST 2 PCS



C : LEG 4 PCS

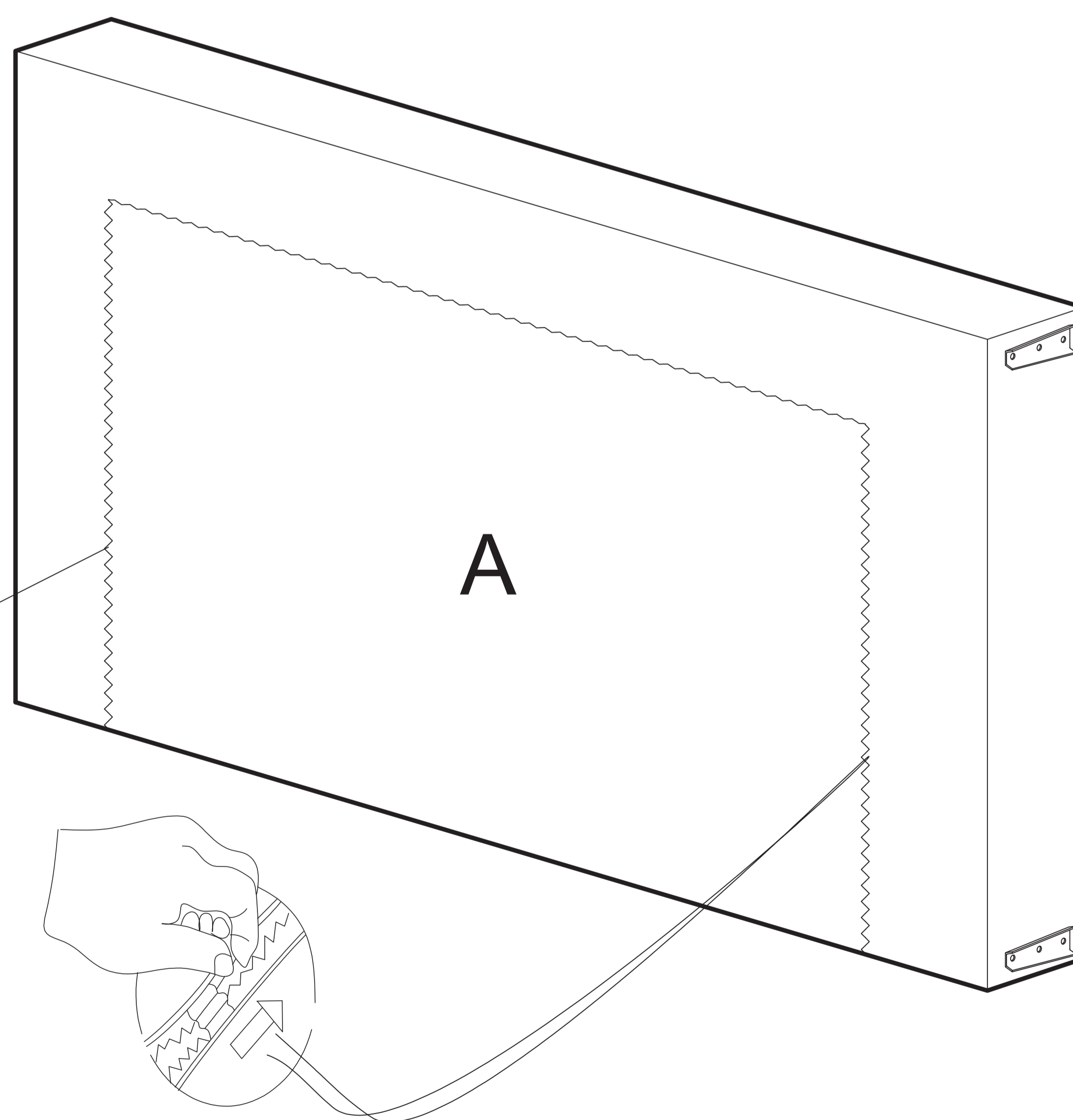


D : BACKREST 1 PC



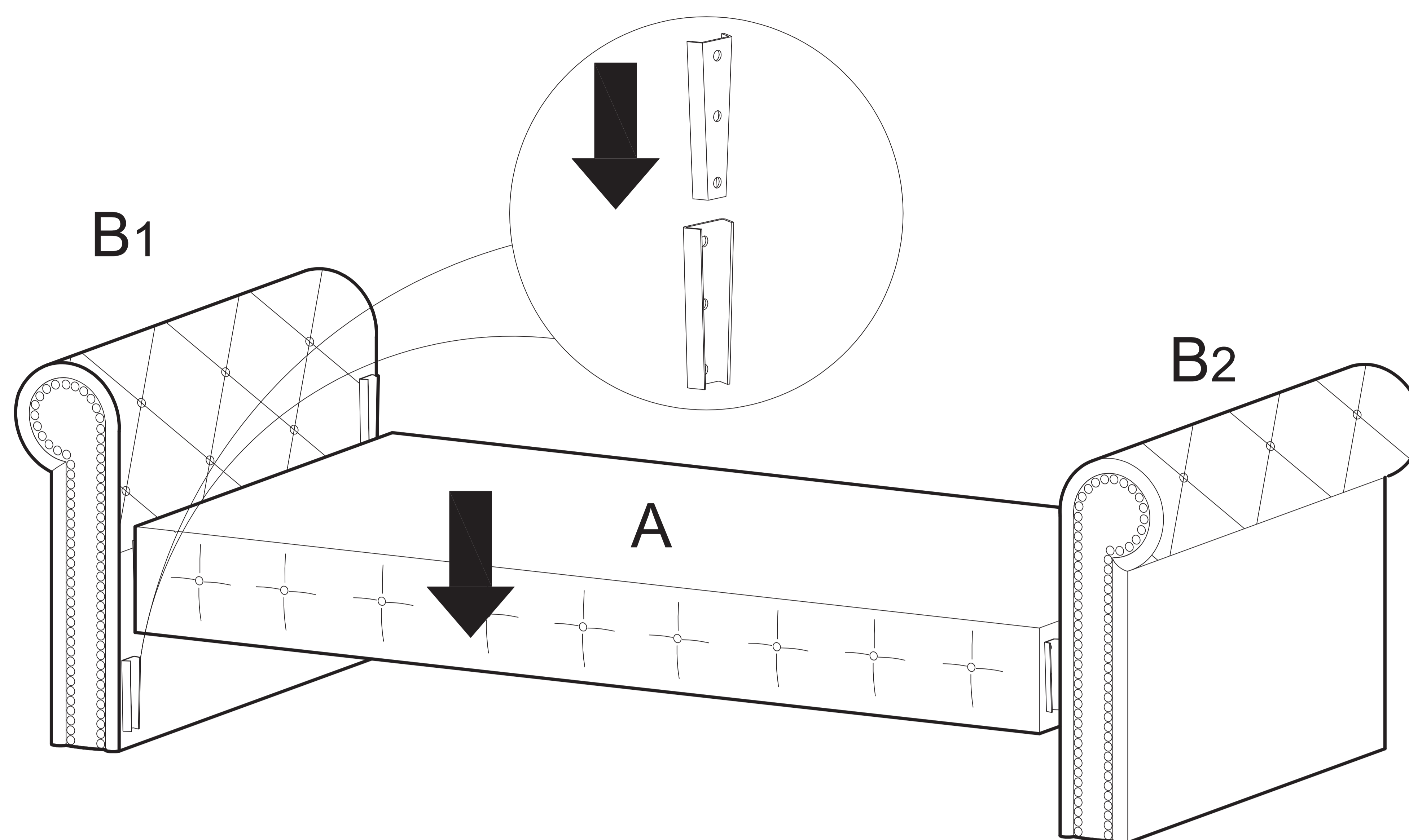
E : SEAT CUSHION 3 PCS

SEAT CUSHION (E) INSIDE



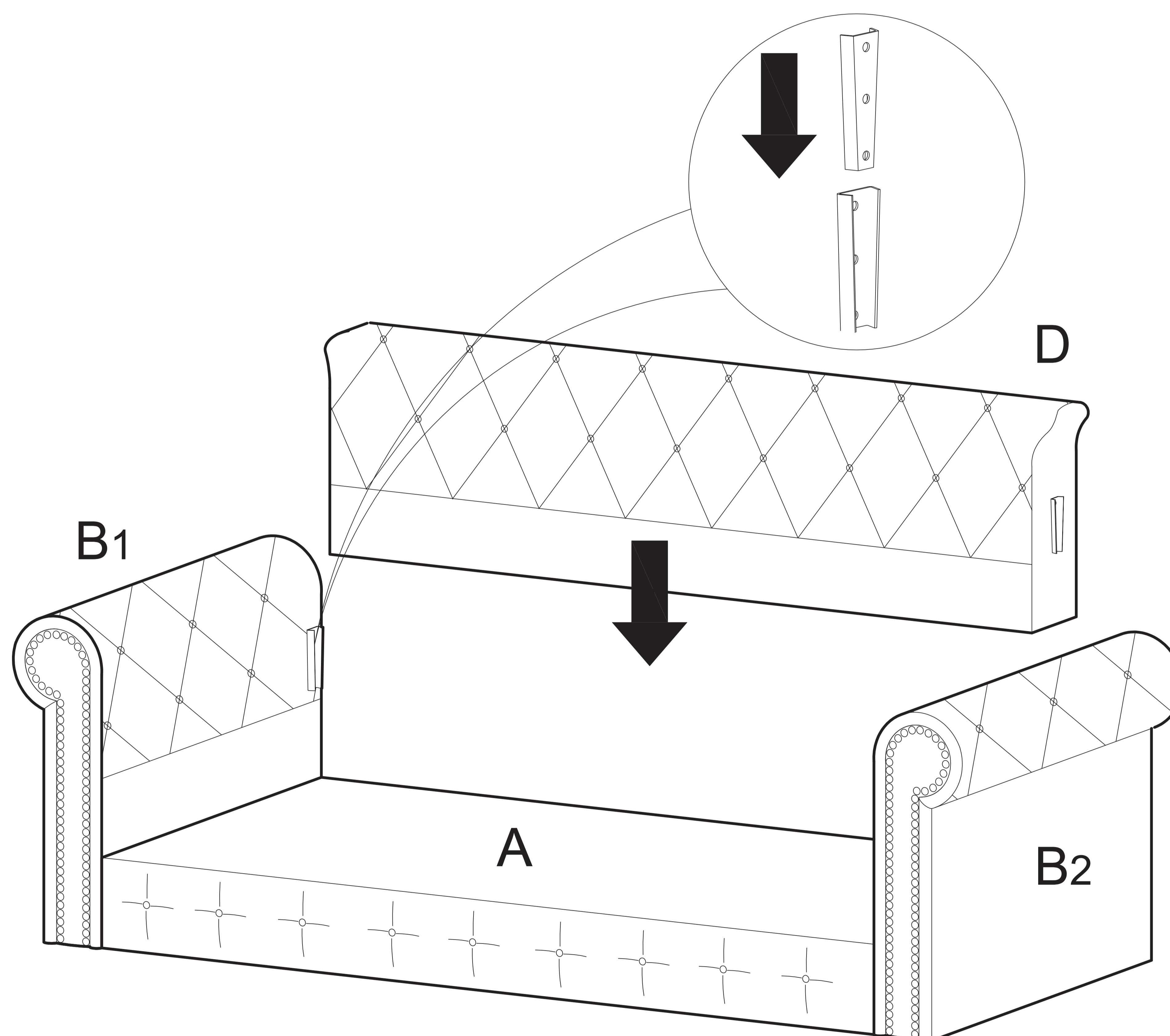
CAREFULLY UNPACK AND PLACE SOFA BODY (A) UNIT UPRIGHT ON A CLEAN FLAT SURFACE TO SHOW THE BASE AS SHOWN. UNPACK SEAT CUSHION(E) FROM THE ZIPPED STORAGE COMPARTMENT.

ASSEMBLY INSTRUCTIONS



STEP1 :

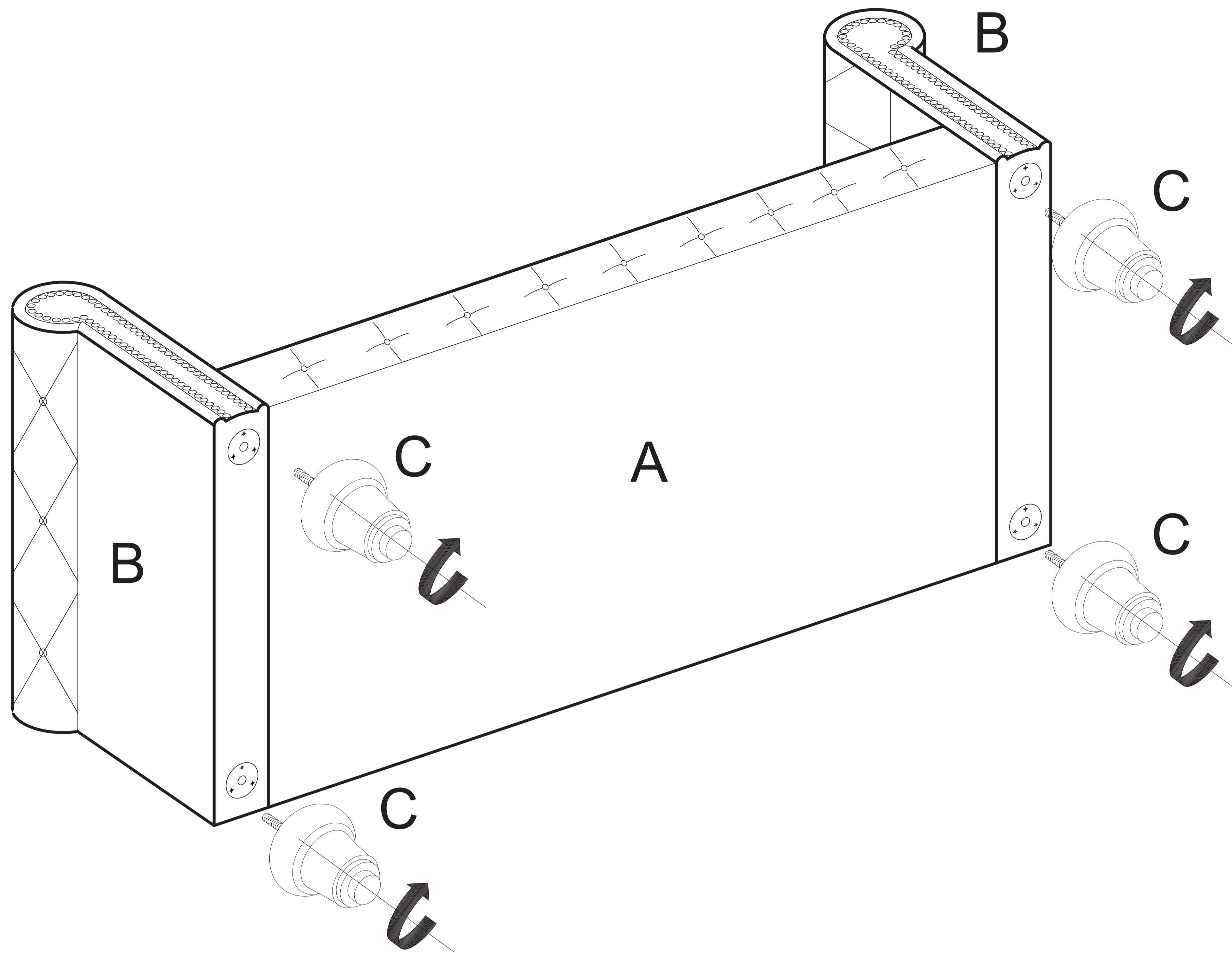
ATTACH THE SEAT FRAME(A) TO THE ARMREST(B1) AND (B2).



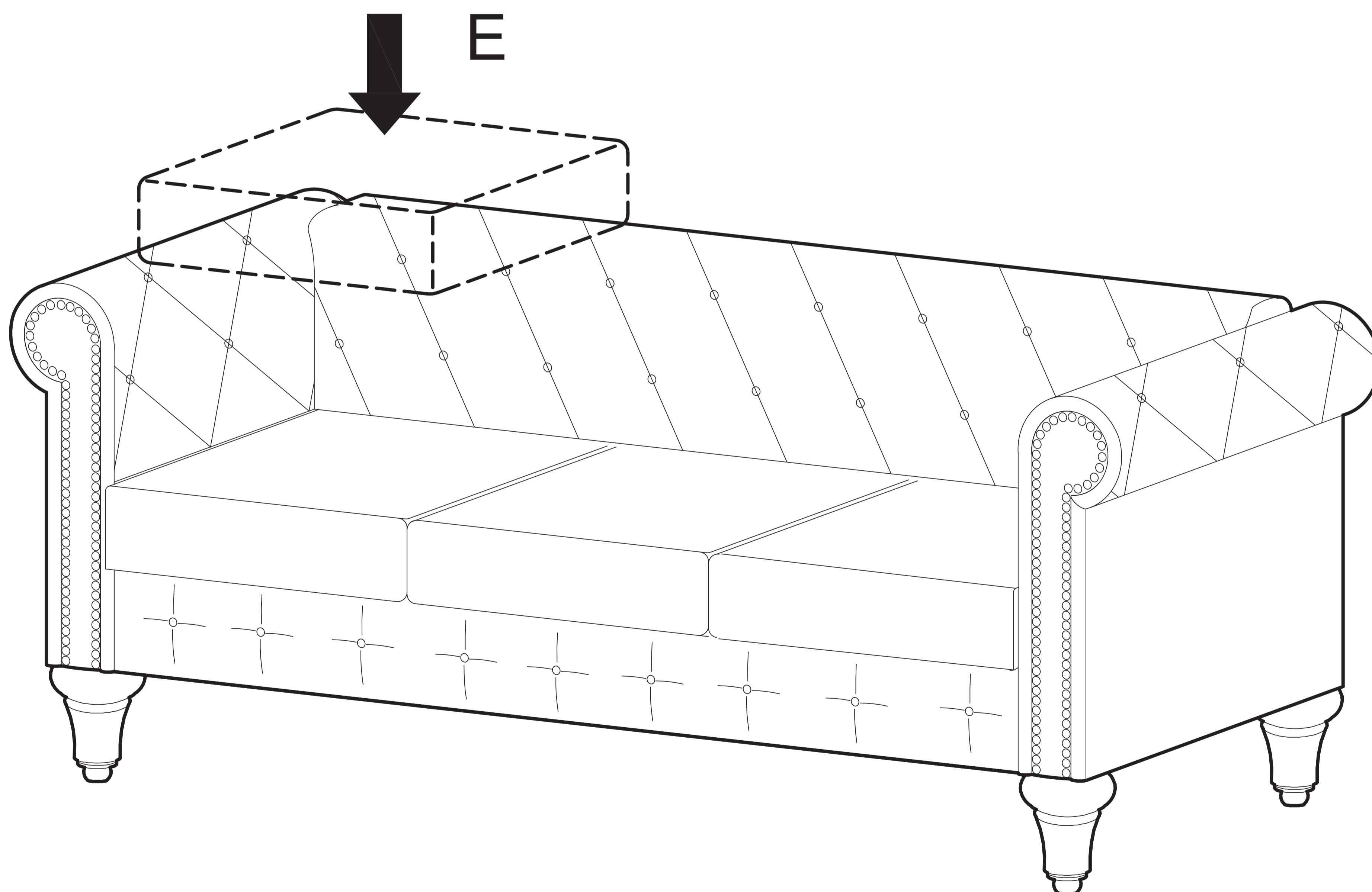
STEP2 :

ATTACH THE BACKREST(D) TO THE ARMREST(B1) AND (B2).

ASSEMBLY INSTRUCTIONS



STEP3:
ATTACH THE LEG(C) TO THE ARMREST(B1) AND (B2)..



STEP4 :
PUT THE SEAT CUSHION (E) TO THE SOFA.
UNTIL NOW IS COMPLETED.