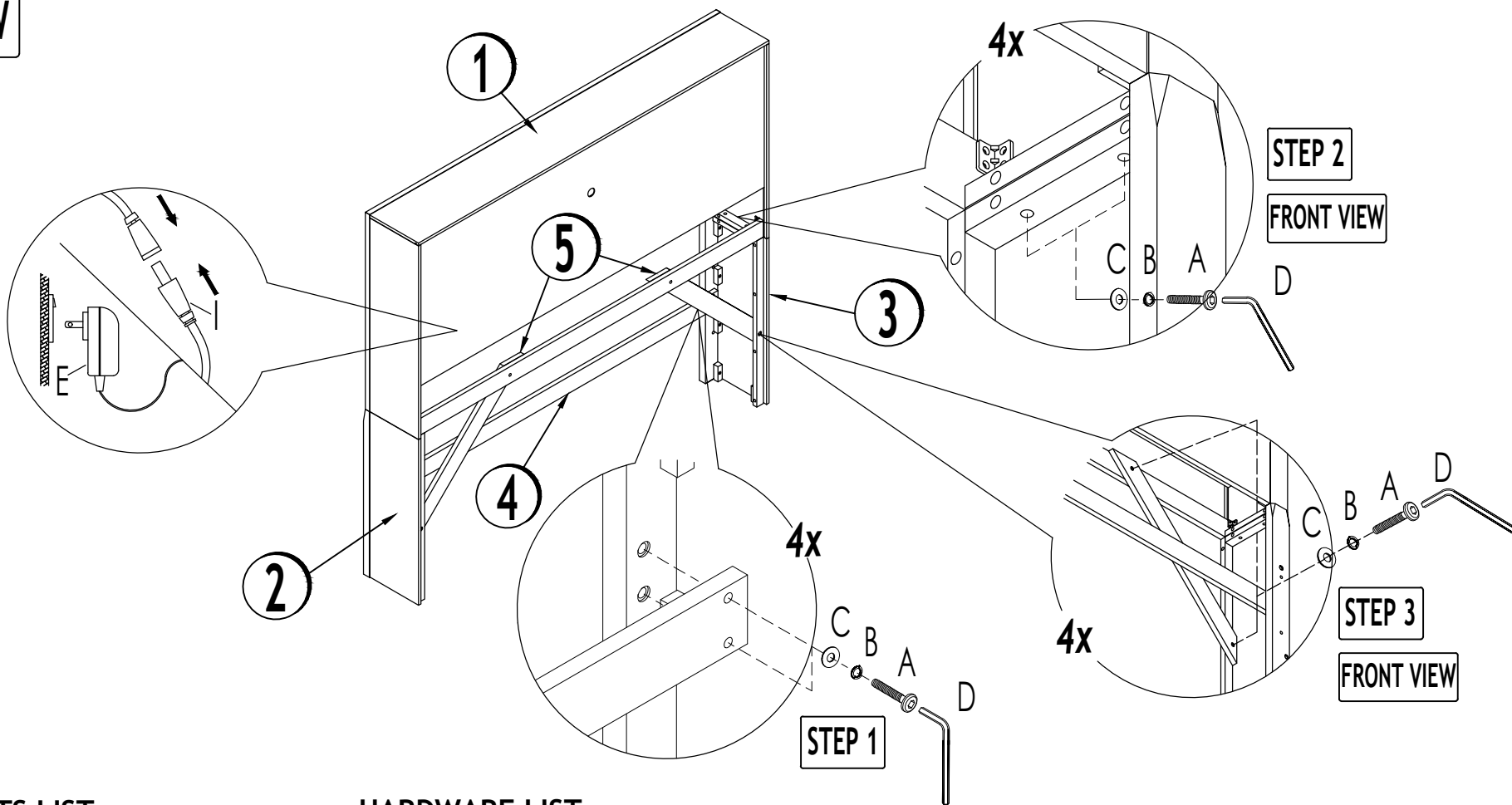


# ASSEMBLY INSTRUCTIONS

## SOUL-KHB

### KING STORAGE HEADBOARD W/LED - WHITE

**BACK VIEW**



**PARTS LIST**

NO	DESCRIPTION	QTY
1	HEADBOARD	1 PC.
2	HEADBOARD LEG (L)	1 PC.
3	HEADBOARD LEG (R)	1 PC.
4	HEADBOARD STRETCHER	1 PC.
5	HB CORNER SUPPORT	2 PCS.

**HARDWARE LIST**

NO	DESCRIPTION	SIZE	QTY
A	JCBC	M6 x 35MM	12 PCS.
B	SPRING WASHER	M8	12 PCS.
C	FLAT WASHER	M8 x 18MM	12 PCS.
D	ALLEN KEY	M4	1 PC.
E	ADAPTER	12V / 1.0A	1 PC.
F			
G			

**TOOL REQUIRED (NOT PROVIDED)**

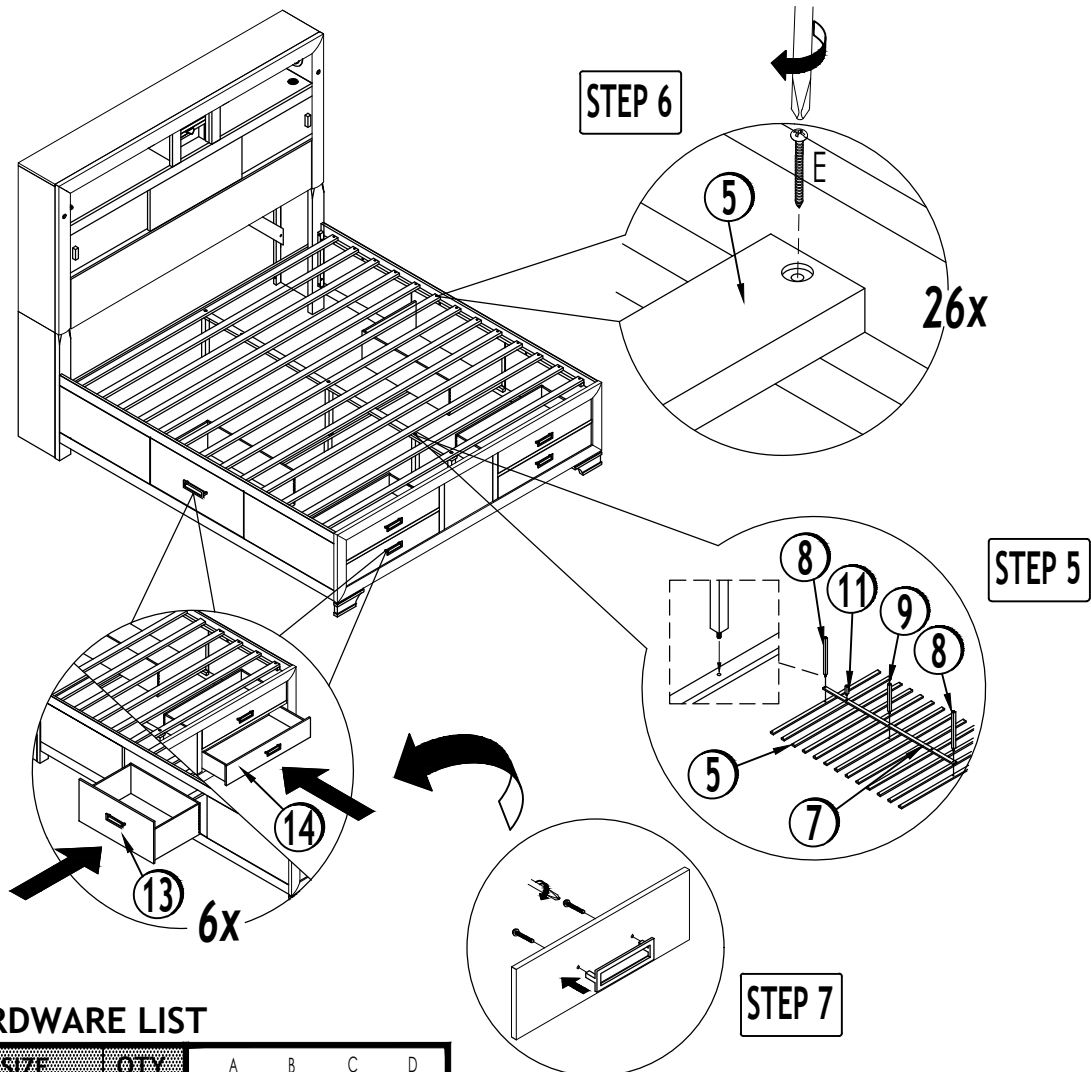
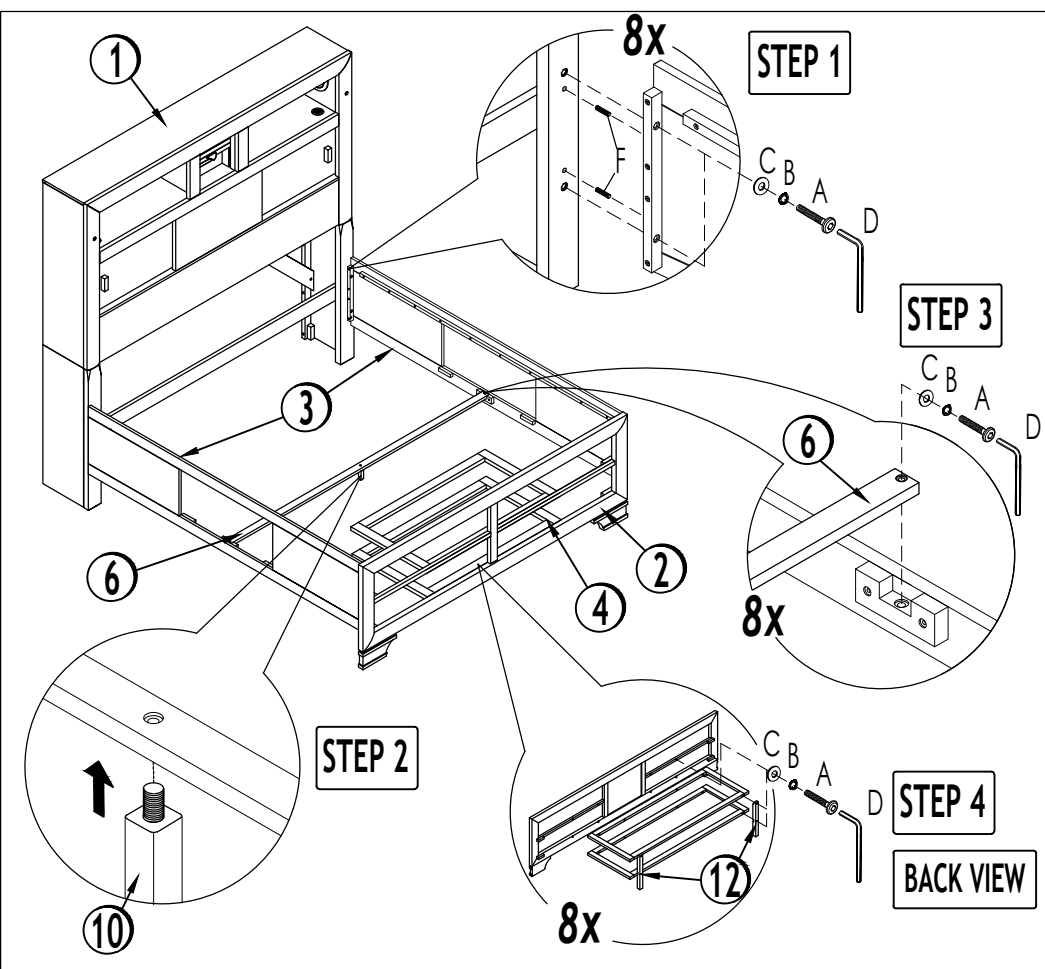
**IMPORTANT NOTE :**

- \* Place all wooden parts on a clean and smooth surface such as a rug or carpet to avoid the parts from being scratched.
- \* Check to be sure that you have all parts and hardware.
- \* Remove all wrapping materials, including staples & packing straps before you start to assemble.
- \* Do not tighten all screws/bolts until all completely assembled.
- \* Keep all hardware parts out of reach of children.

# ASSEMBLY INSTRUCTIONS

## SOUL-KHB / SOUL-KFB / SOUL-QKDR / SOUL-QKSR

### KING BED - WHITE



#### PARTS LIST

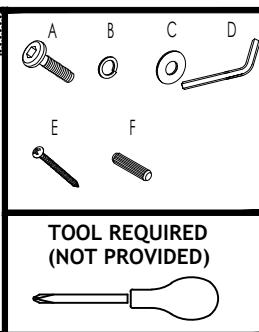
NO	DESCRIPTION	QTY
1	HEADBOARD	1 PC.
2	FOOTBOARD	1 PC.
3	STORAGE SIDE RAIL	2 PCS.
4	DRAWER FRAME	2 PCS.
5	SLAT	13 PCS.
6	CENTER DRAWER SUPPORT	1 PC.
7	CENTER RAIL	1 PC.
8	VERTICAL LEG -1	2 PCS.

#### PARTS LIST

NO	DESCRIPTION	QTY
9	VERTICAL LEG -2	1 PC.
10	VERTICAL LEG -3	1 PC.
11	VERTICAL LEG -4	1 PC.
12	DRAWER FRAME SUPPORT	2 PCS.
13	DRAWER SIDE RAIL	2 PCS.
14	DRAWER FOOTBOARD	4 PCS.

#### HARDWARE LIST

NO	DESCRIPTION	SIZE	QTY
A	JCBC	M6 x 35MM	22 PCS.
B	SPRING WASHER	M6	22 PCS.
C	FLAT WASHER	M6 x 13MM	22 PCS.
D	ALLEN KEY	M4	1 PC.
E	PANHEAD SCREW	M4 x 30MM	26 PCS.
F	WOOD DOWEL	Ø8x 30MM	8 PCS.



#### IMPORTANT NOTE :

- \* Place all wooden parts on a clean and smooth surface such as a rug or carpet to avoid the parts from being scratched.
- \* Check to be sure that you have all parts and hardware.
- \* Remove all wrapping materials, including staples & packing straps before you start to assemble.
- \* Do not tighten all screws/bolts until all completely assembled.
- \* Keep all hardware parts out of reach of children.