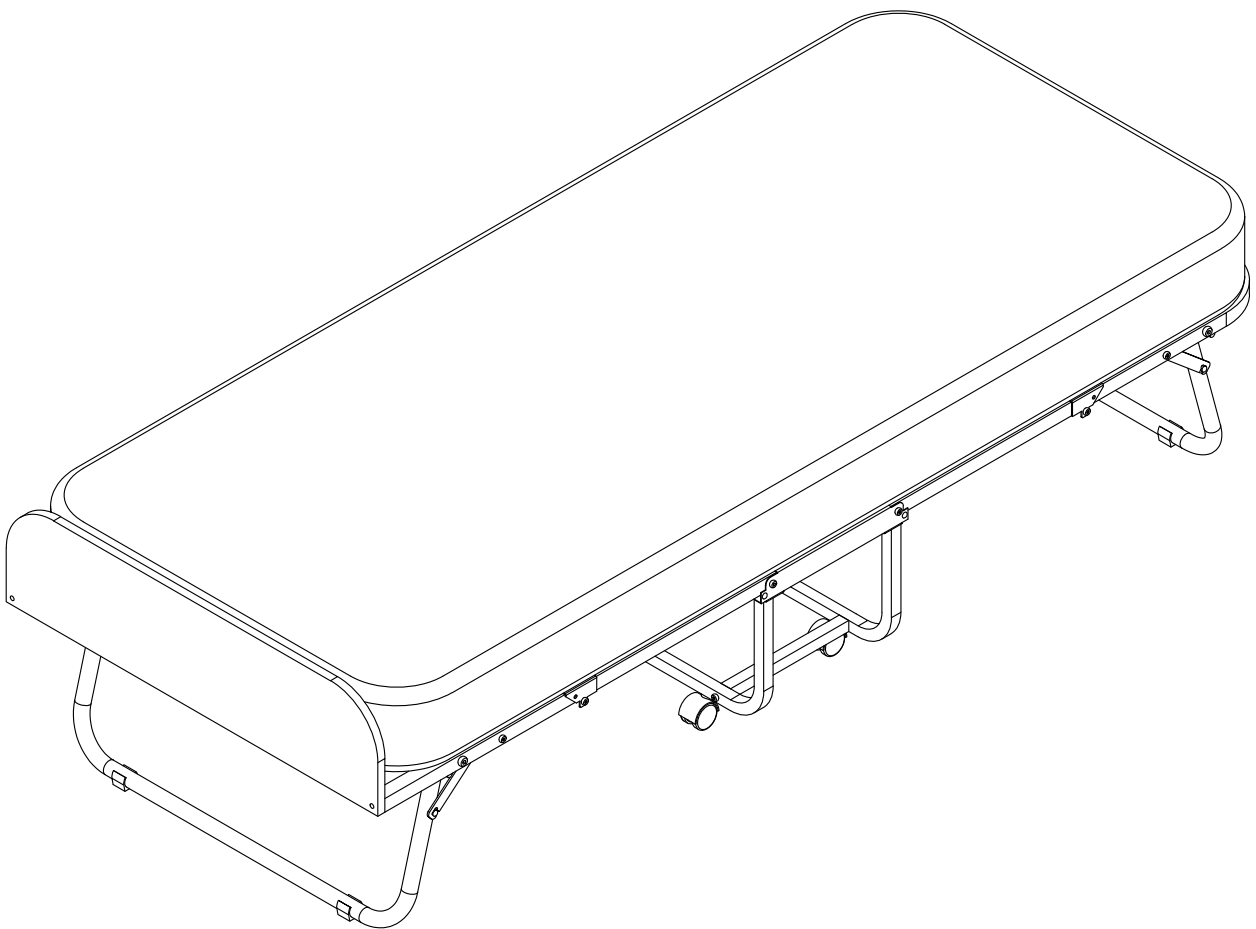
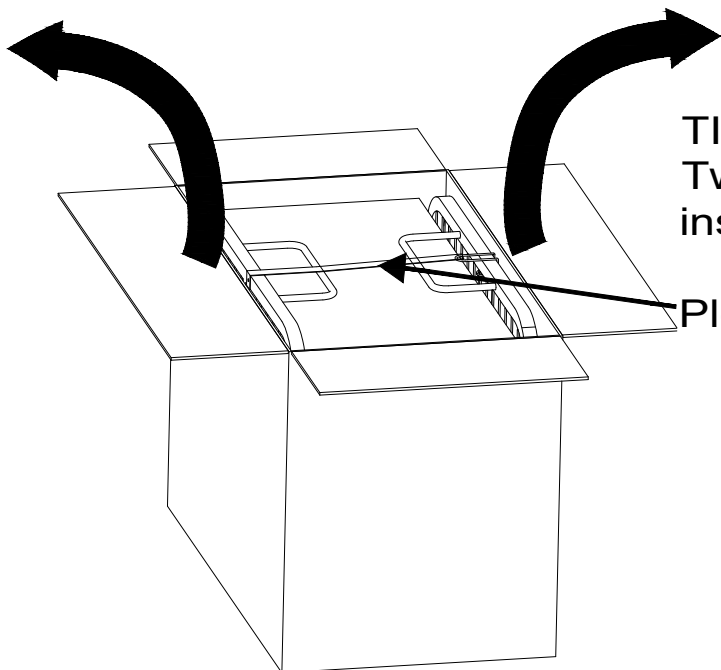


# ASSEMBLY INSTRUCTION

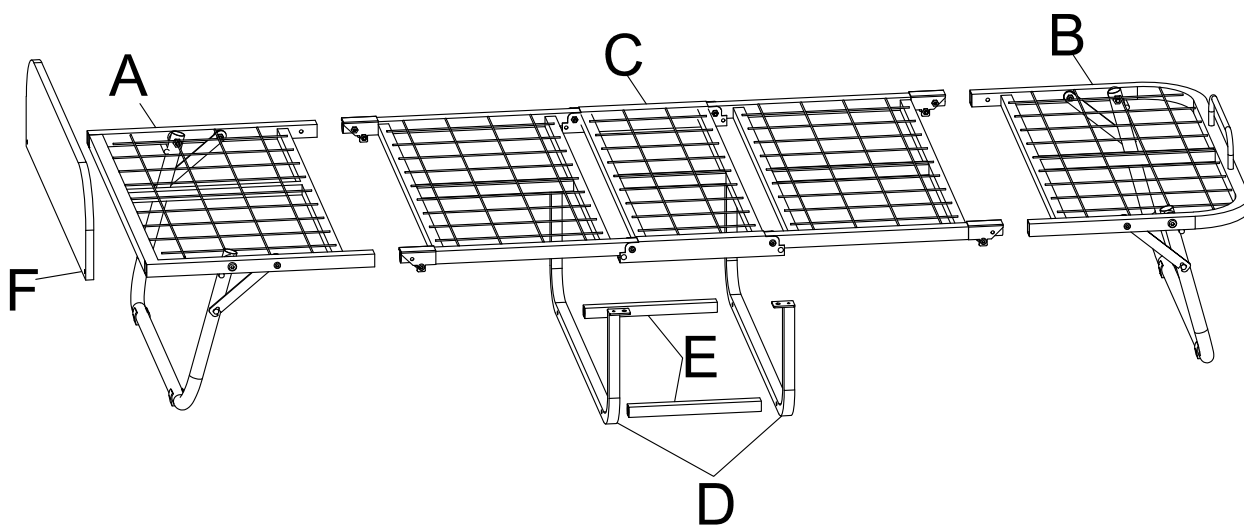
## Folding Bed





TIP :  
Two people are required to  
install the folding bed .

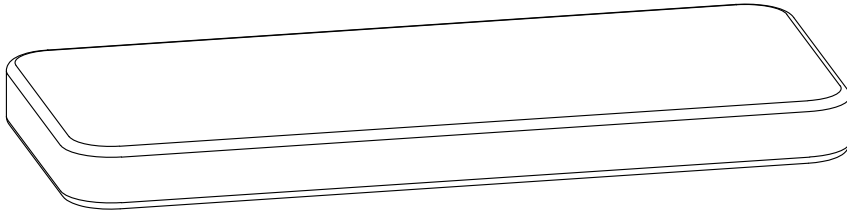
Please do NOT pull the strap .



# Part List

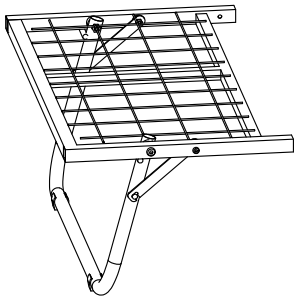
## Mattress

Open packing bag, leave the mattress to expand. Sometimes it only takes a few hours, but other times it can take up to 48 hours to fully expand.

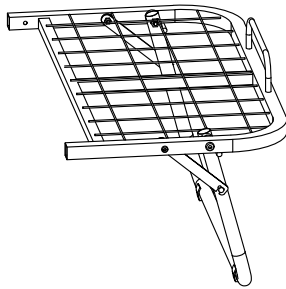


## Mattress recovery schedule

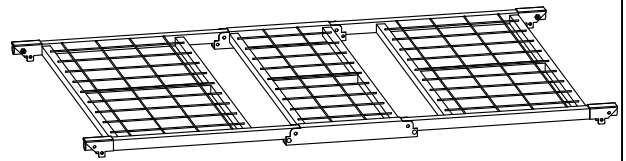
Recovery time	Recovery ratio
1 hour	90%
3 hours	94%
24 hours	97%
48 hours	98%



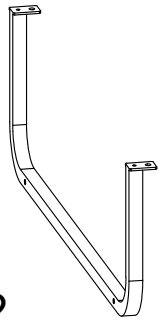
A x 1



B x 1



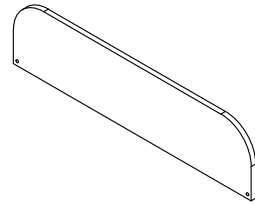
C x 1



D x 2

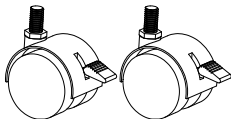


E x 2

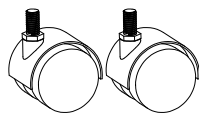


F x 1

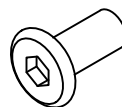
① x 2



② x 2



③ x 4



④ x 8



M6x12

⑤ x 7



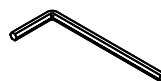
M6x35

⑥ x 1



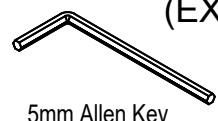
13#

⑦ x 1



4mm Allen Key

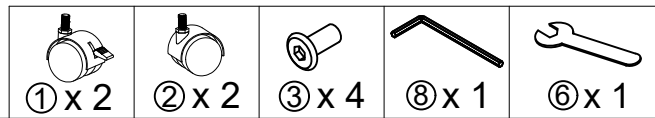
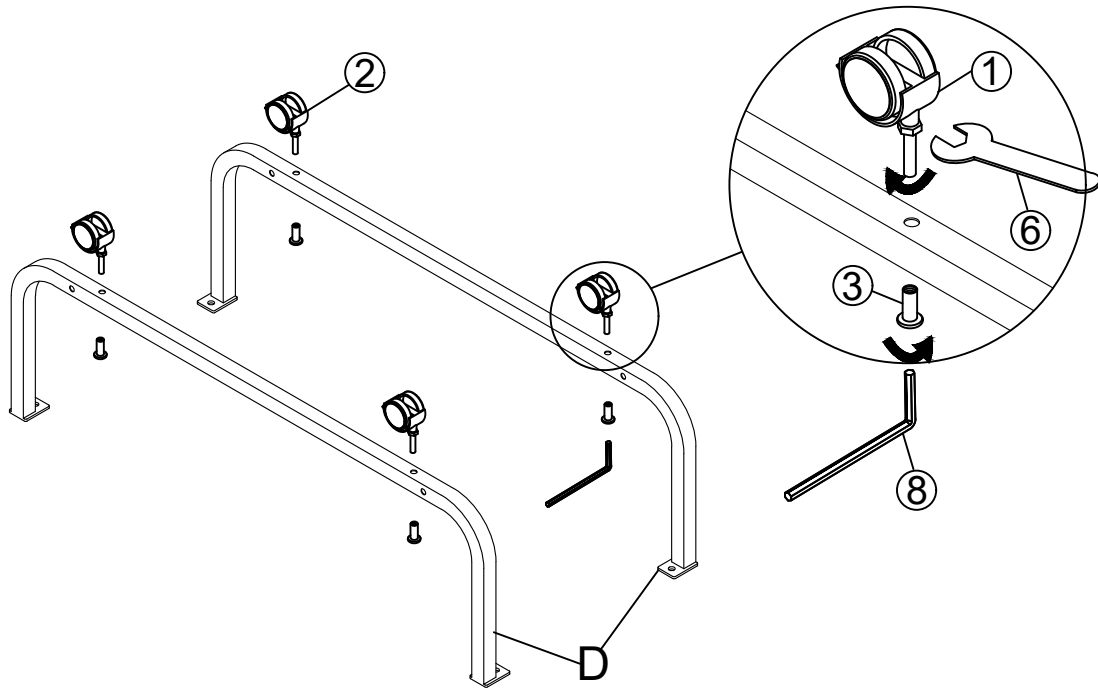
⑧ x 1



5mm Allen Key  
(Used for tightening the wheels and special screws.)

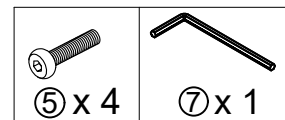
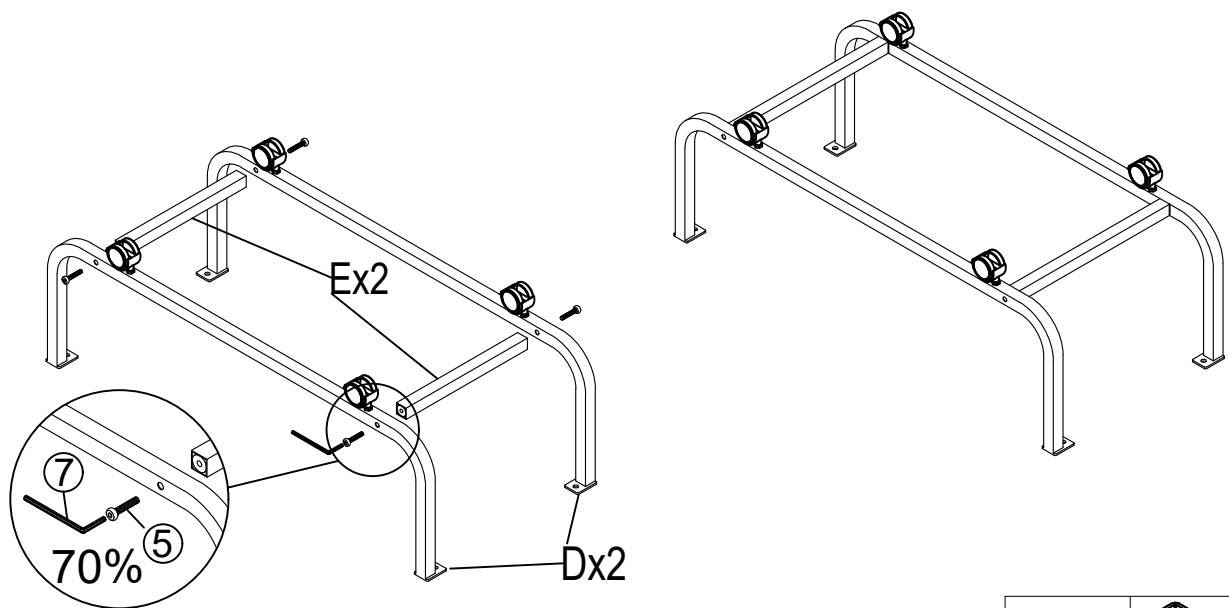
(EXT)

# Step 1

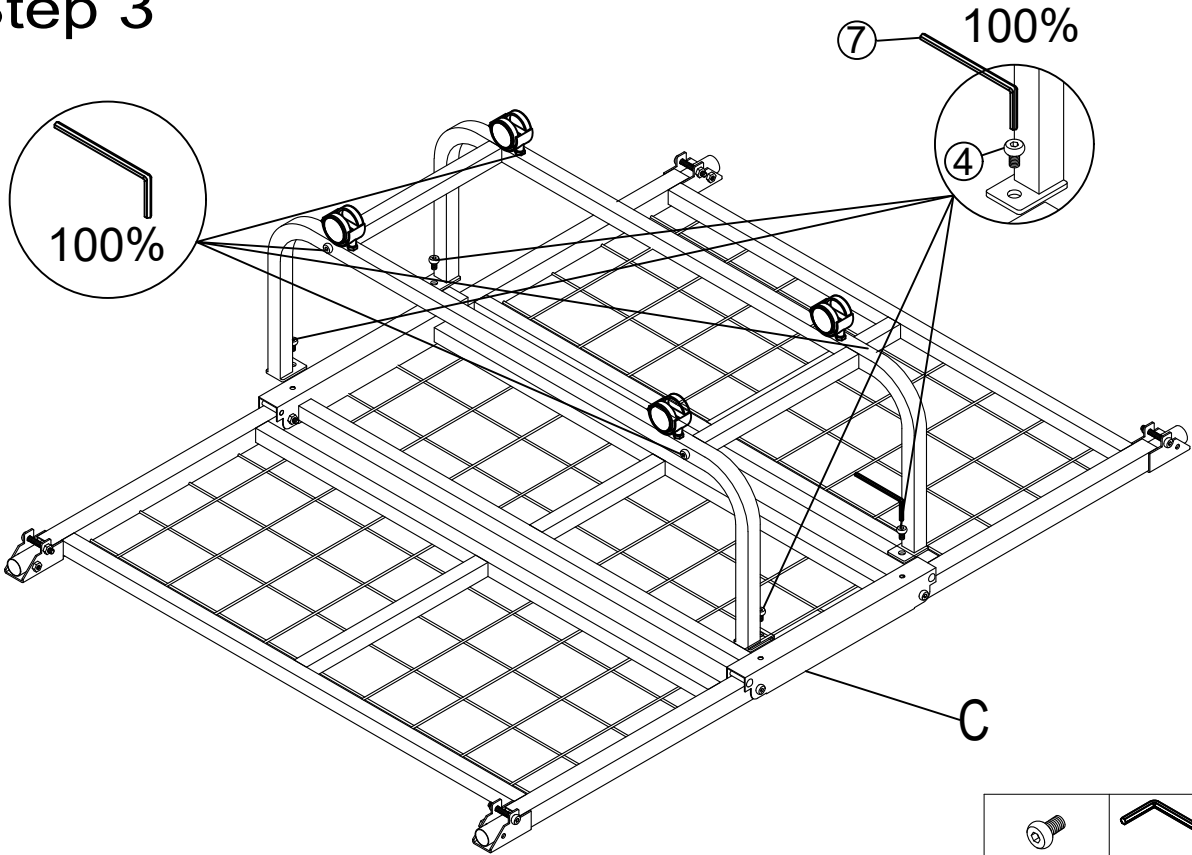


# Step 2

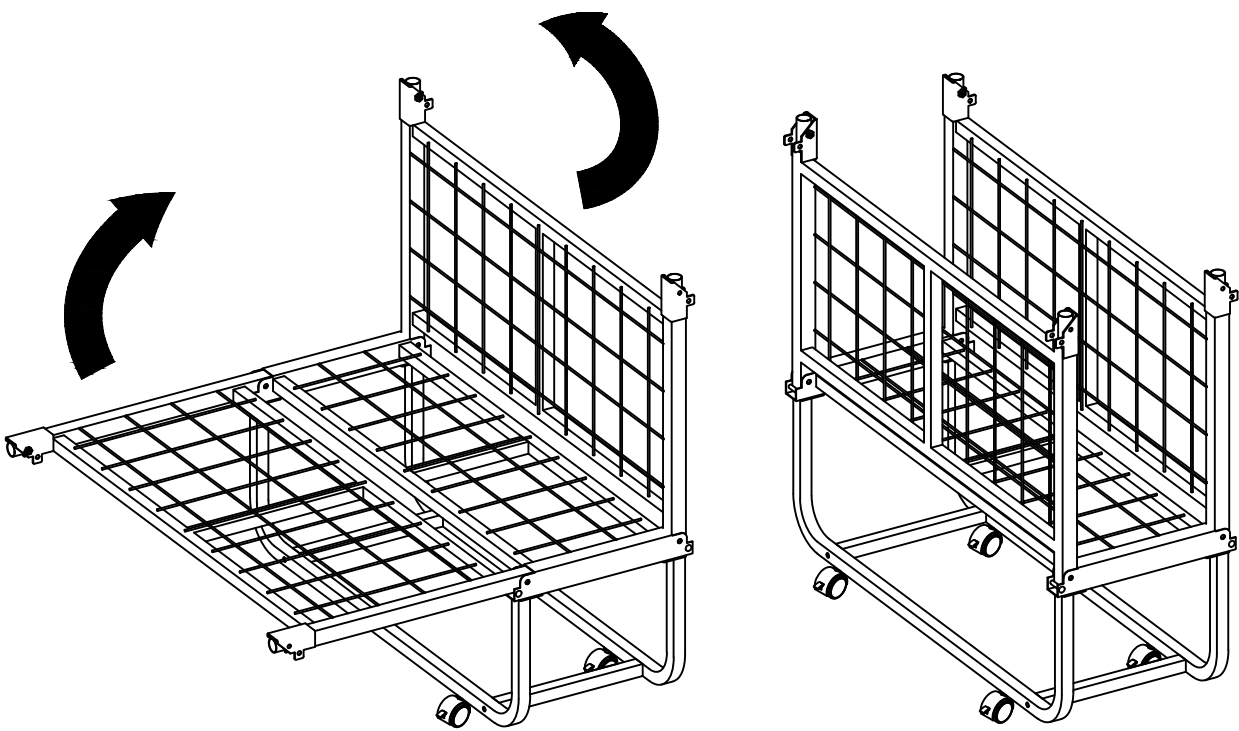
Note: Please don't tighten the screws in Step 1, after aligning all of the holes on the frame(Step 2), then tighten all the screws.



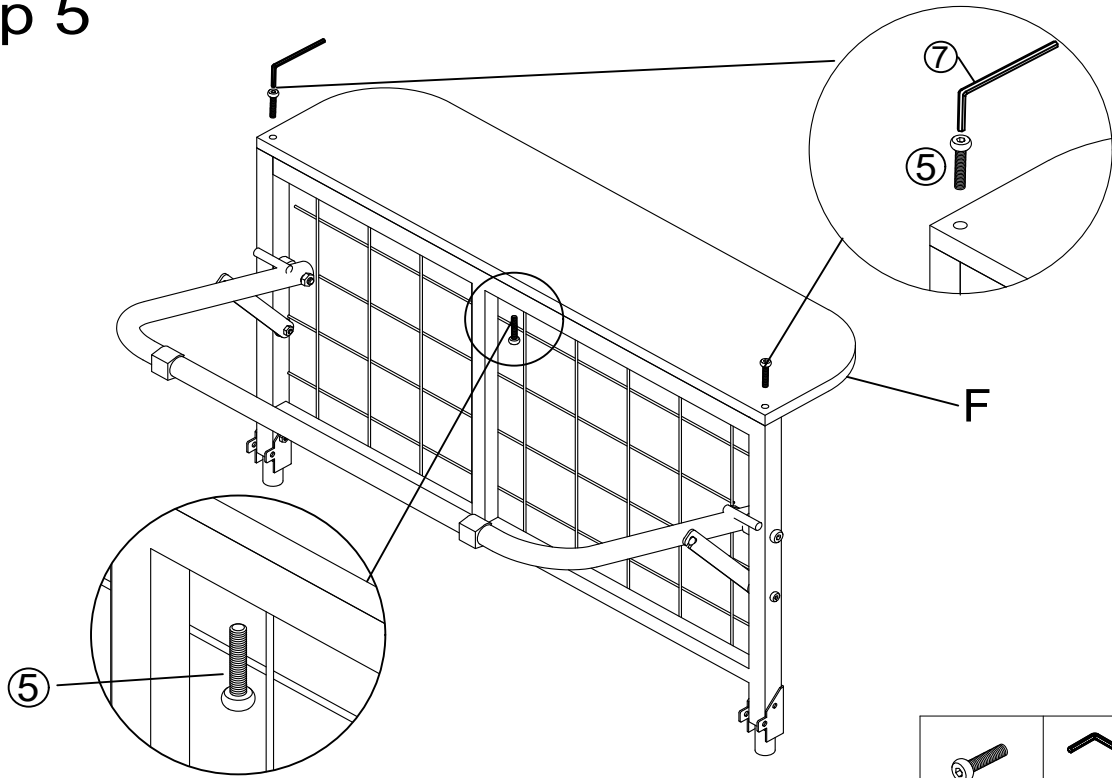
### Step 3


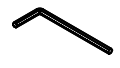


### Step 4



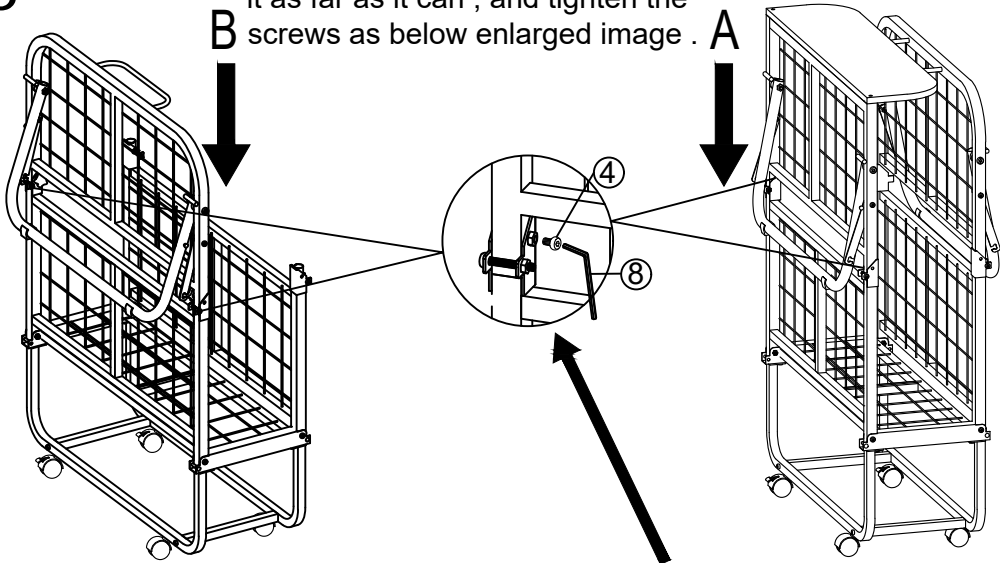
# Step 5



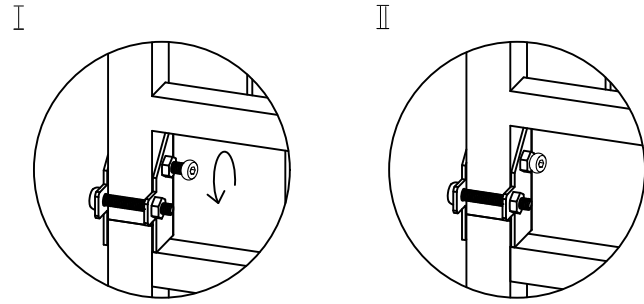
- |   |   |
|---|---|
|  |  |
| ⑤ x 3   | ⑦ x 1   |


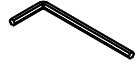
# Step 6

When installing part A , please insert it as far as it can , and tighten the screws as below enlarged image . A

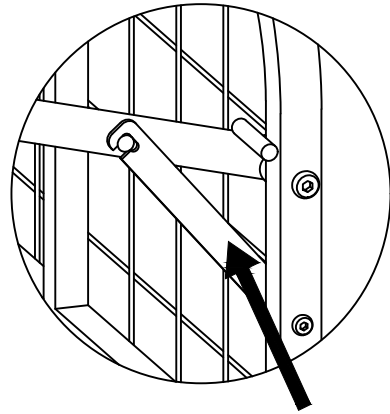
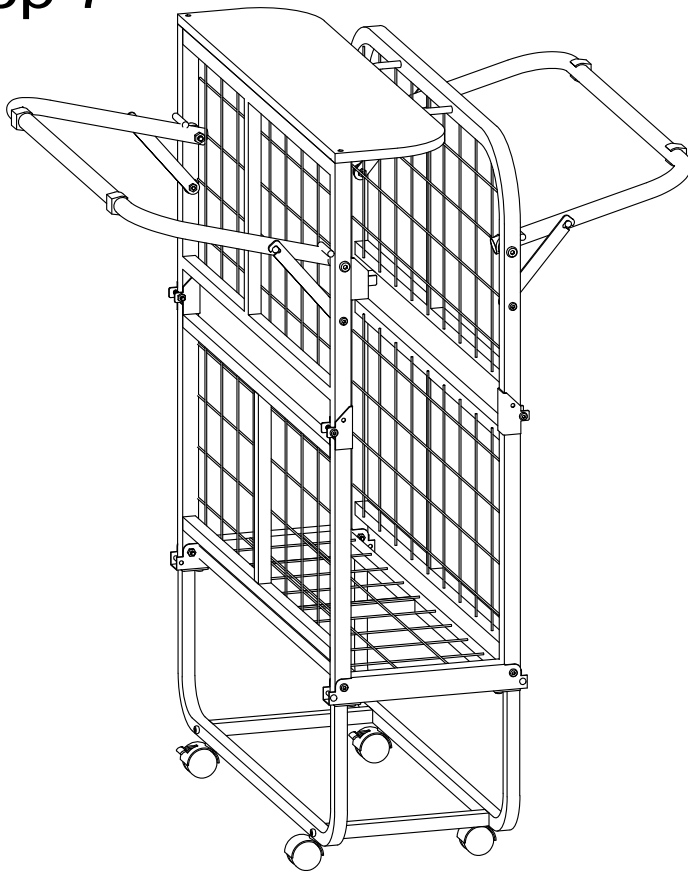


If part A can't be inserted successfully, please loosen the bolt as shown in the picture.



- |   |   |
|---|---|
|  |  |
| ④ x 4   | ⑧ x 1   |

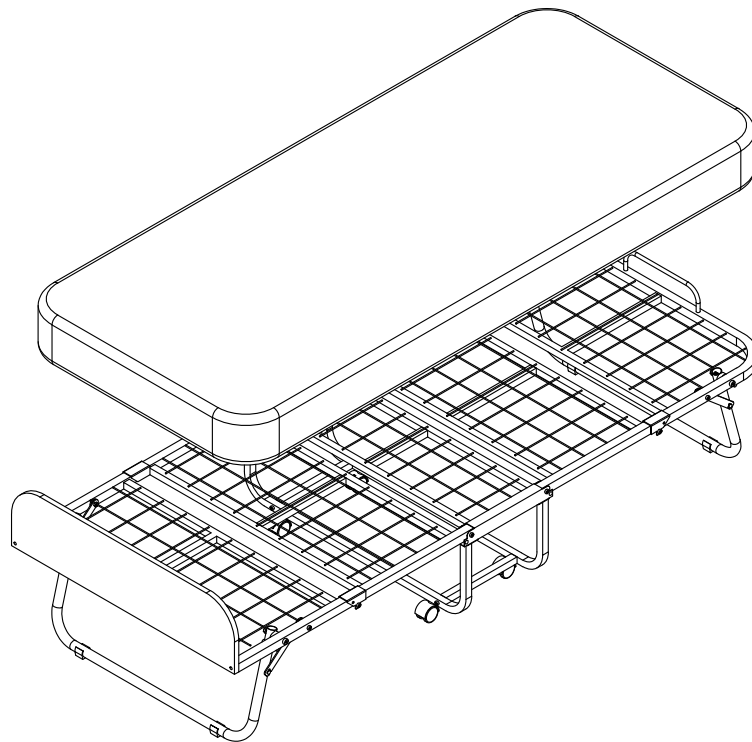
## Step 7



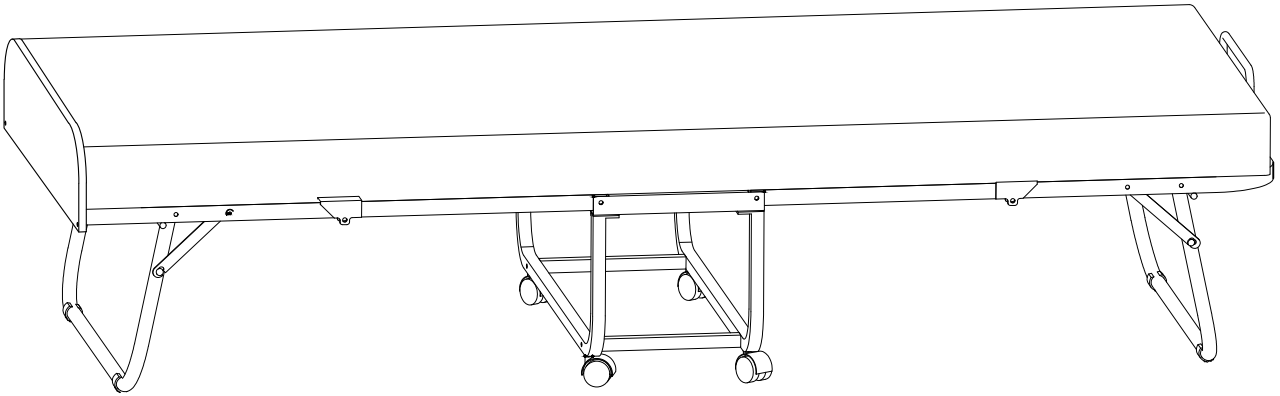
 **CAUTION**

This step is necessary .  
Otherwise it will cause component  
deformation .

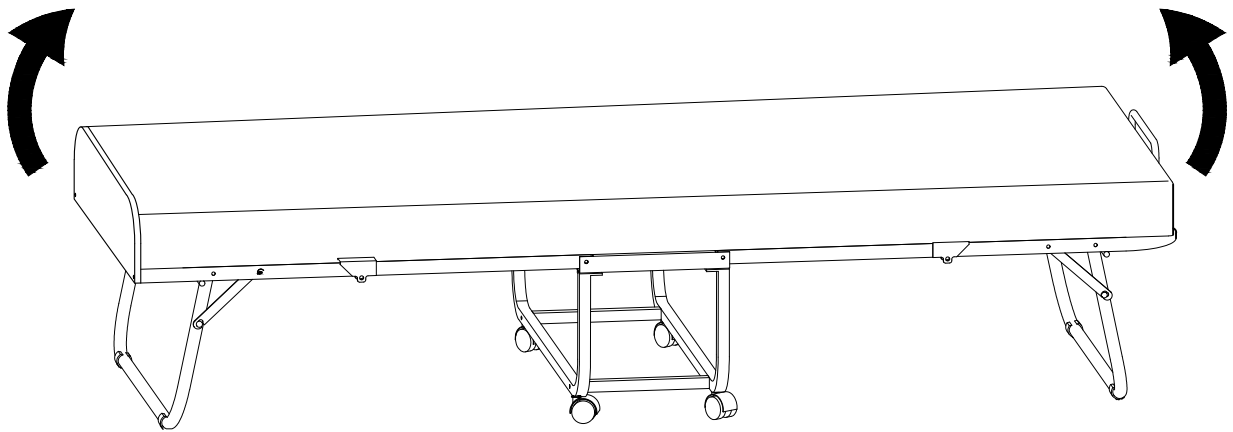
## Step 8



## Step 9



## Step 10



When moving the folding bed ,  
please do NOT pull the strap .

