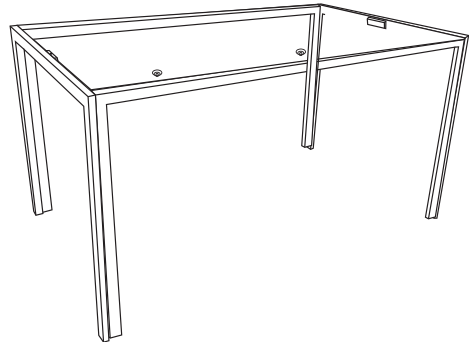
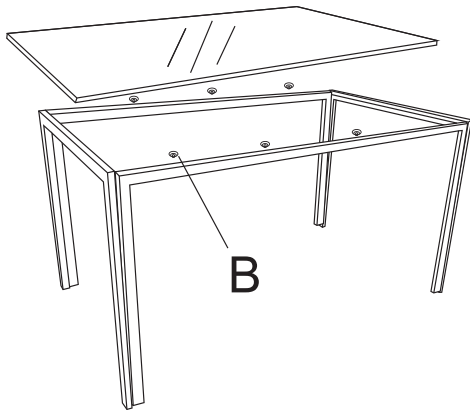
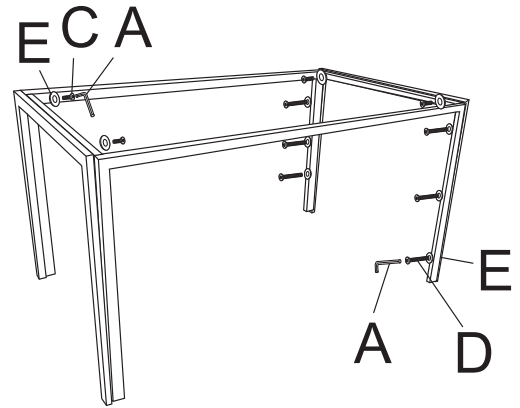
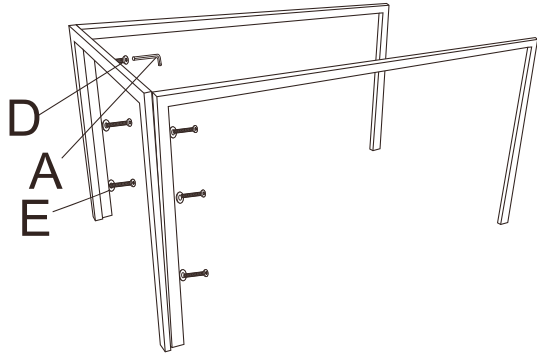


# ASSEMBLY INSTRUCTION



Ax1



Bx6



Cx4



Dx12



Ex16

