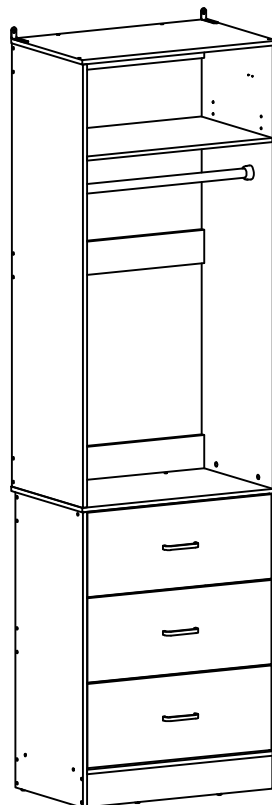


Assembly Instructions

BO-YCG2FT-3D1_V1.0



Attention: Please ensure you have all parts before commencing assembly.
Please read all the instructions before commencing.

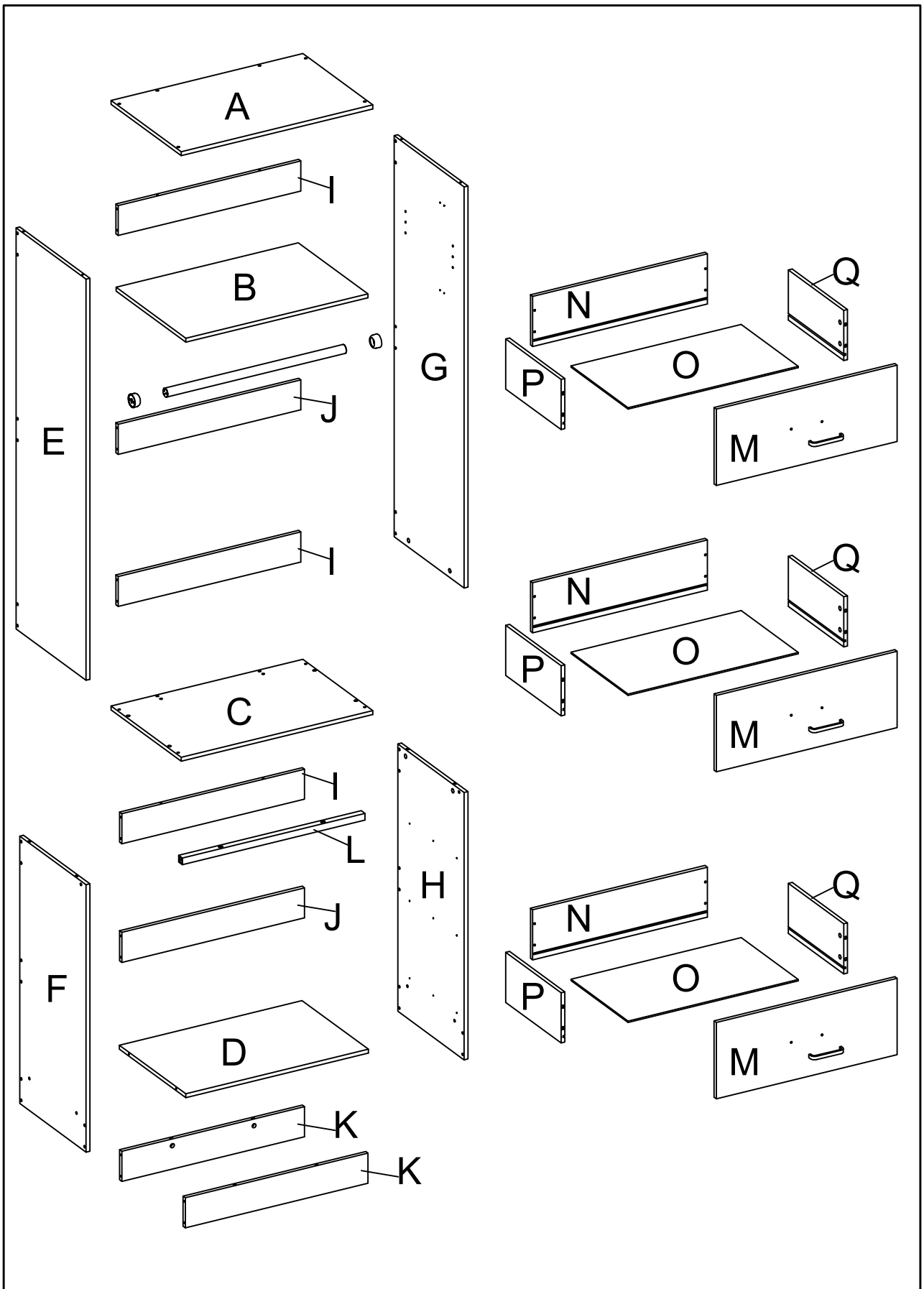
**Have problems when installing or missing parts?
Please call for replacement parts or assistance: 1-315-888-6633.
Mon-Fri 7am-4pm (PST), Mon-Fri 10am-7pm (EST)**

How to find us?

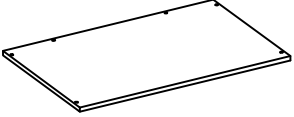

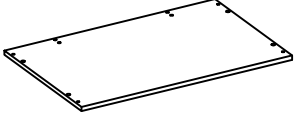
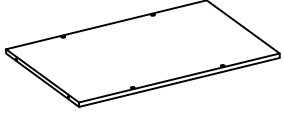
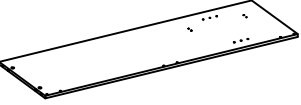
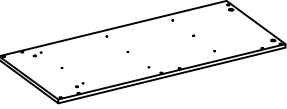
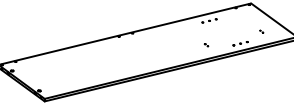
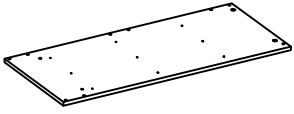




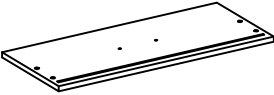



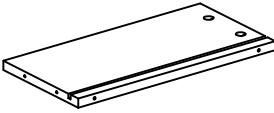


homefursp@hotmail.com

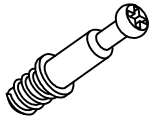

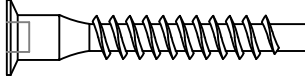

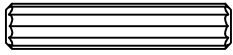

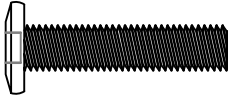




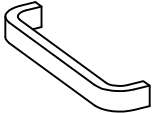
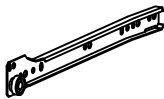
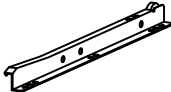
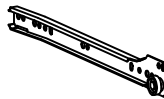
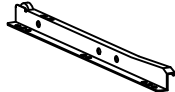

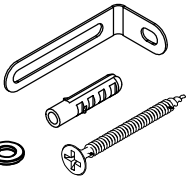

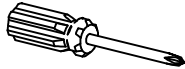

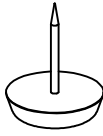
PART LIST



PART LIST

<p>A x 1pc</p> 	<p>B x 1pc</p> 	<p>C x 1pc</p> 	<p>D x 1pc</p> 
<p>E x 1pc</p> 	<p>F x 1pc</p> 	<p>G x 1pc</p> 	<p>H x 1pc</p> 
<p>I x 3pcs</p> 	<p>J x 2pcs</p> 	<p>K x 2pcs</p> 	<p>L x 1pc</p> 
<p>M x 3pcs</p> 	<p>N x 3pcs</p> 	<p>O x 3pcs</p> 	<p>P x 3pcs</p> 
<p>Q x 3pcs</p> 			

HARDWARE LIST

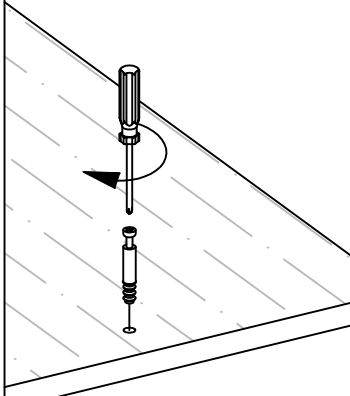
①  M6x28 24 pcs	②  Ø12 24 pcs	③  M6x40 42 pcs	④  M4x15 6 pcs
⑤  M6x30 4 pcs	⑥  M3x12 36 pcs	⑦  M6x27 4 pcs	⑧  M4x12 4 pcs
⑨  Ø25x559 1 pc	⑩  2 pcs	⑪  2 pcs	⑫  3 pcs
⑬  300L 3 pcs	⑭  300L 3 pcs	⑮  300L 3 pcs	⑯  300L 3 pcs
⑰  M4x30 12 pcs	⑱  M4x40 2 pcs	⑲  M4 1 pc	⑳  1 pc
㉑  M6x19 4 pcs	㉒  8 pcs		

Please count and verify all parts before assembly .

How to install Camlocks

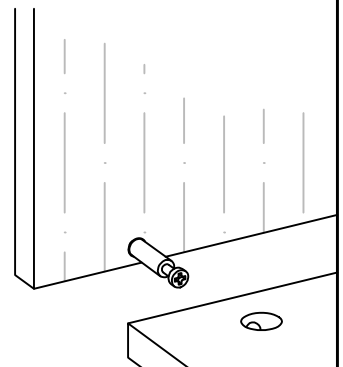
Connect the male camlock as directed in the assembly instructions with a screwdriver.

1 DO NOT OVER TIGHTEN



Put the male camlock into the entry hole.

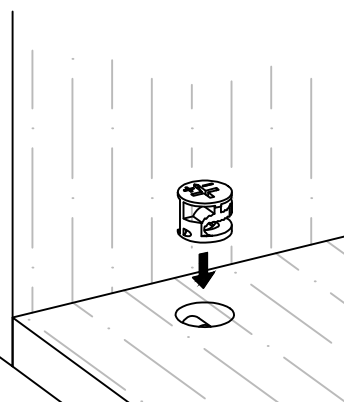
2



Insert the female camlock as shown in the instruction.

Note: ensure that the arrow on the top of the camlock points toward the entry hole for the male camlock.

3

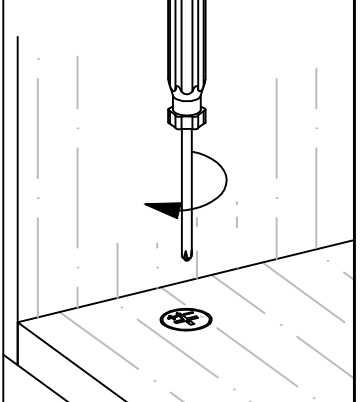


Screw the female camlock clockwise with a screwdriver.

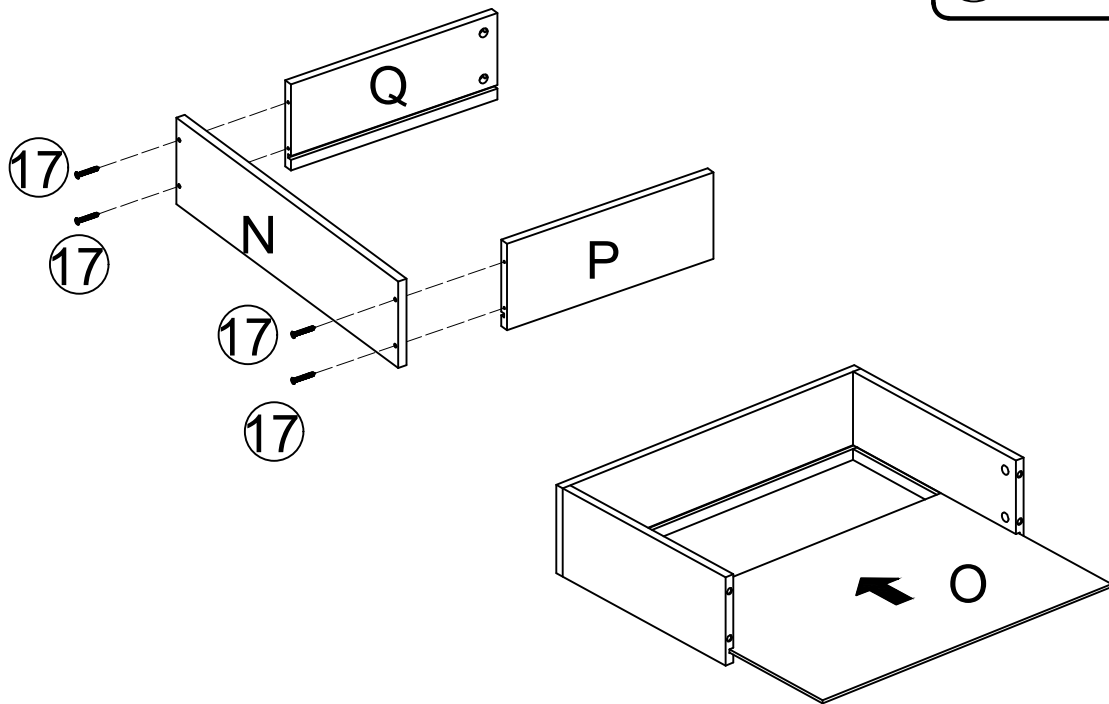
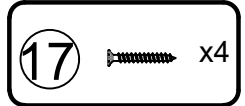
You will feel a click when the camlock is locked in place.

The camlock is now completed.

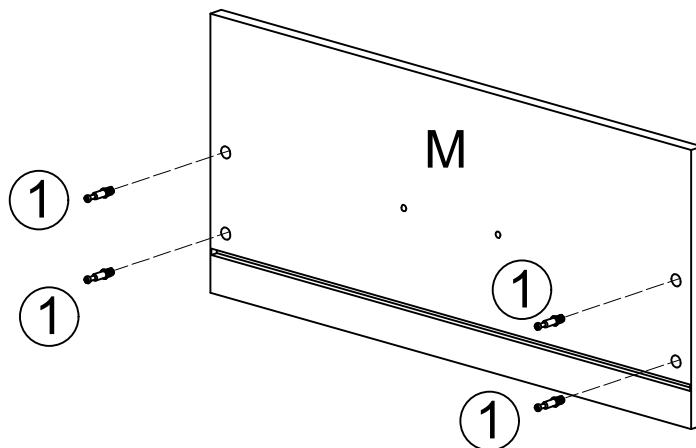
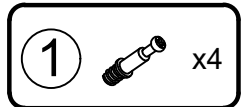
4



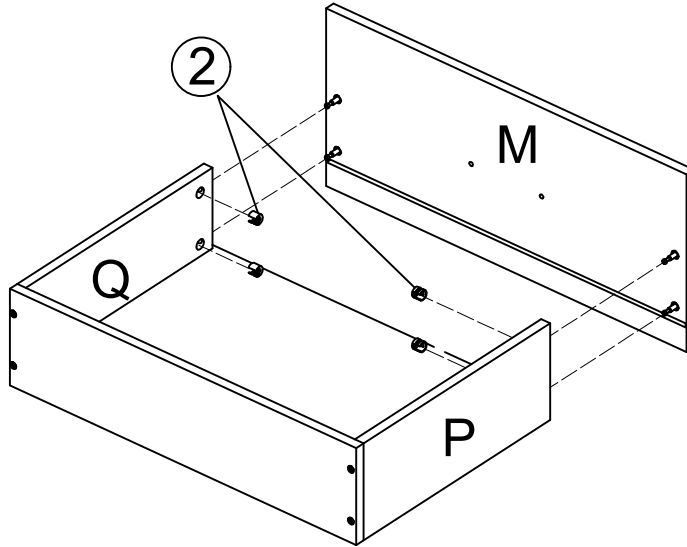
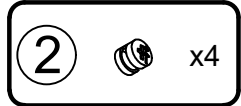
STEP 1



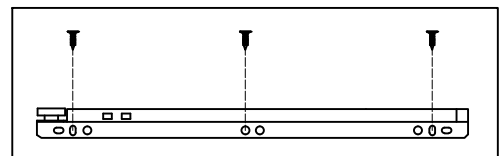
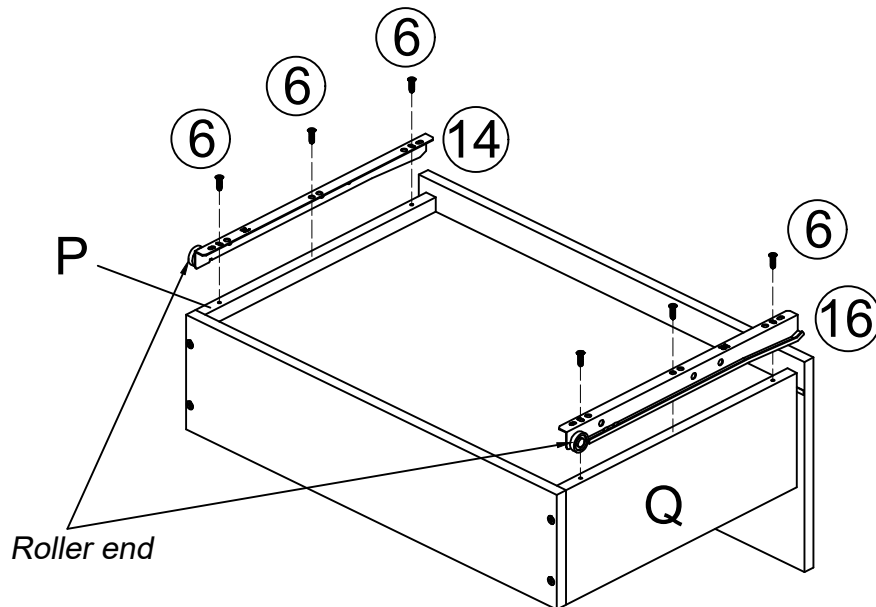
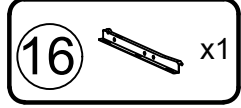
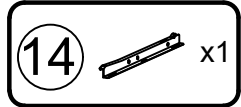
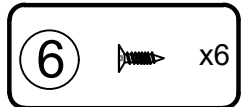
STEP 2



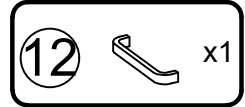
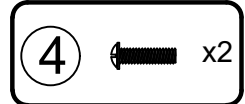
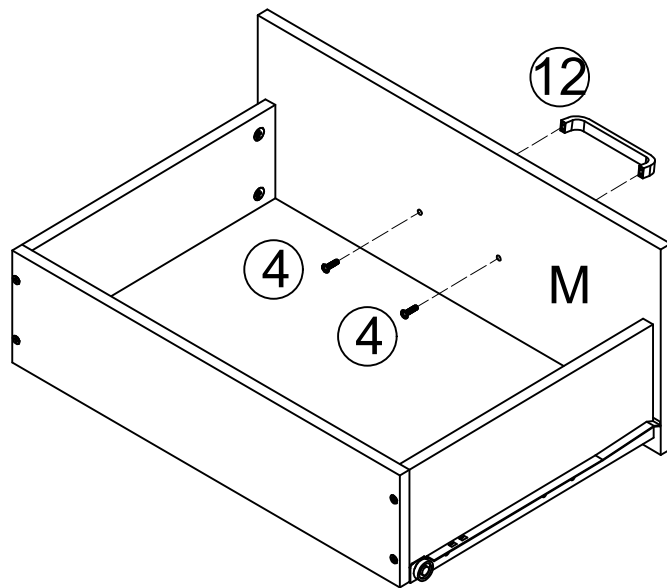
STEP 3



STEP 4



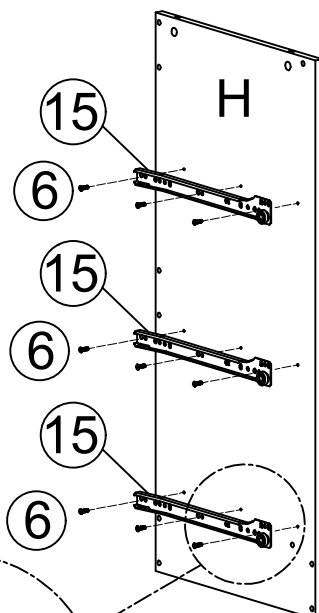
STEP 5



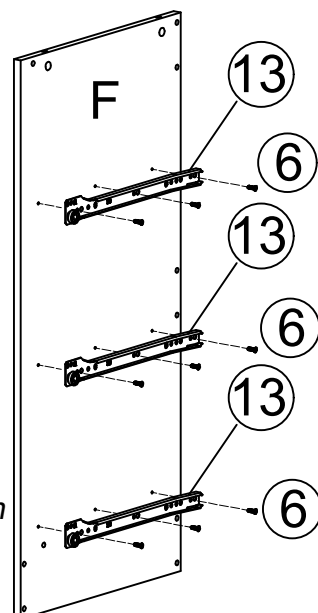
NOTICE:

The installation for all the three drawers is base on the five steps above.

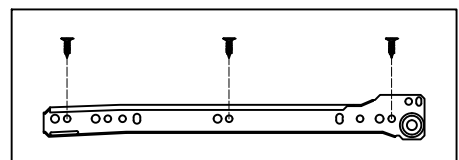
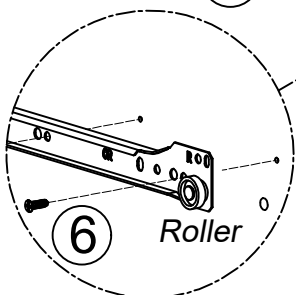
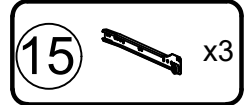
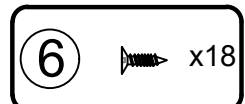
STEP 6



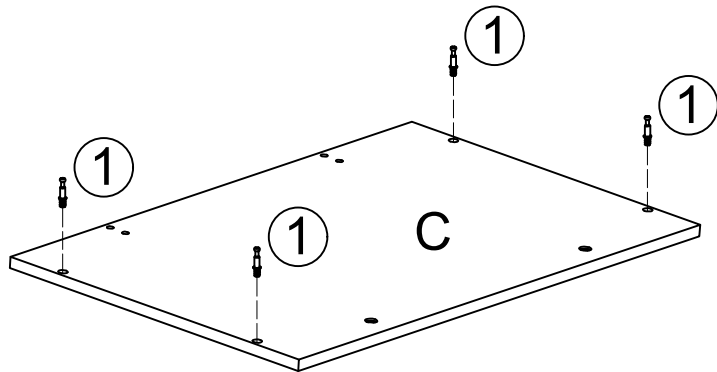
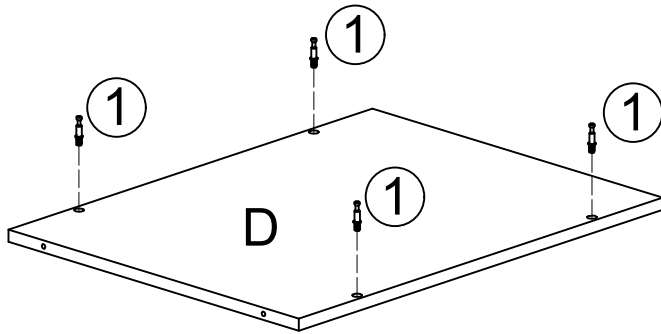
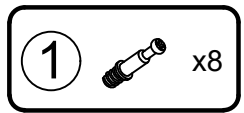
Front



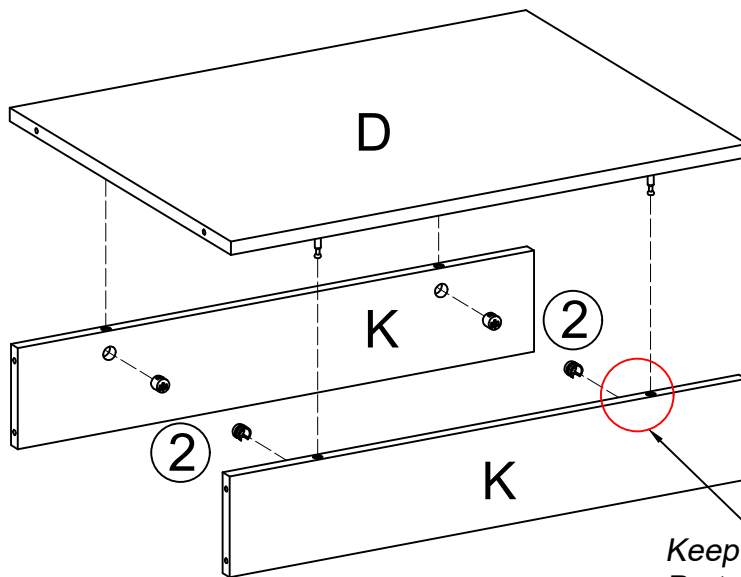
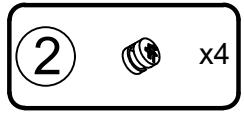
Roller is at bottom



STEP 7



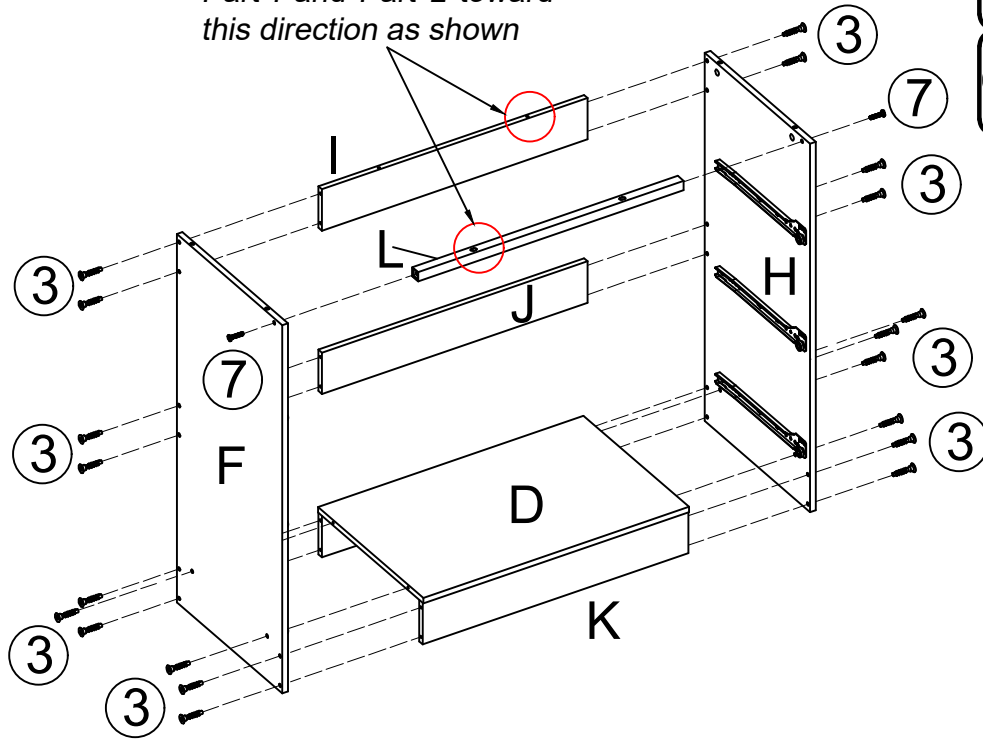
STEP 8



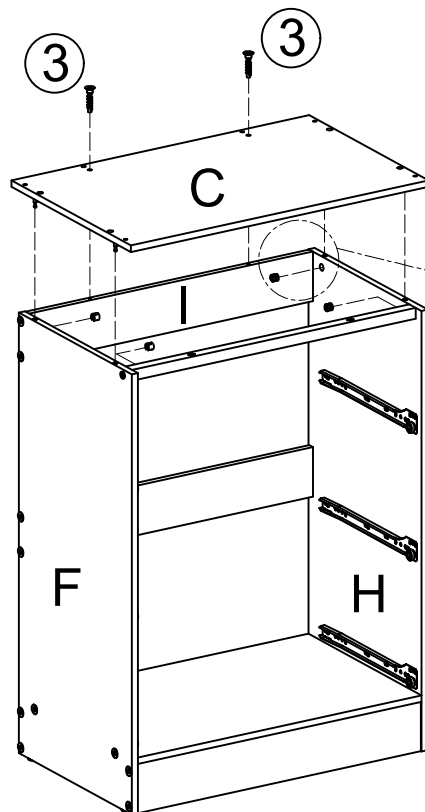
Keep the holes of the Part K toward this direction as shown

STEP 9

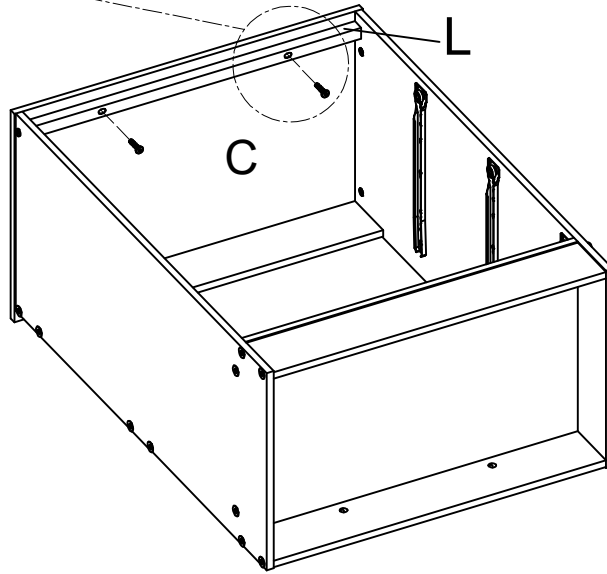
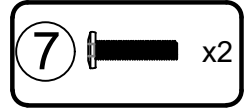
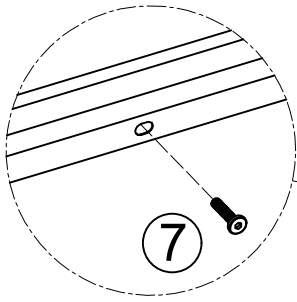
Keep the holes of the Part I and Part L toward this direction as shown



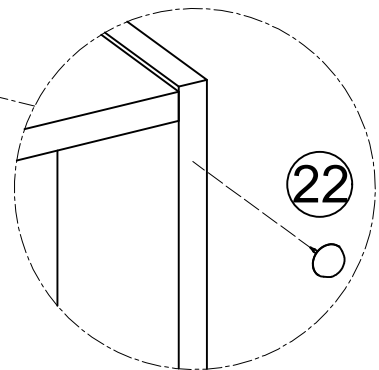
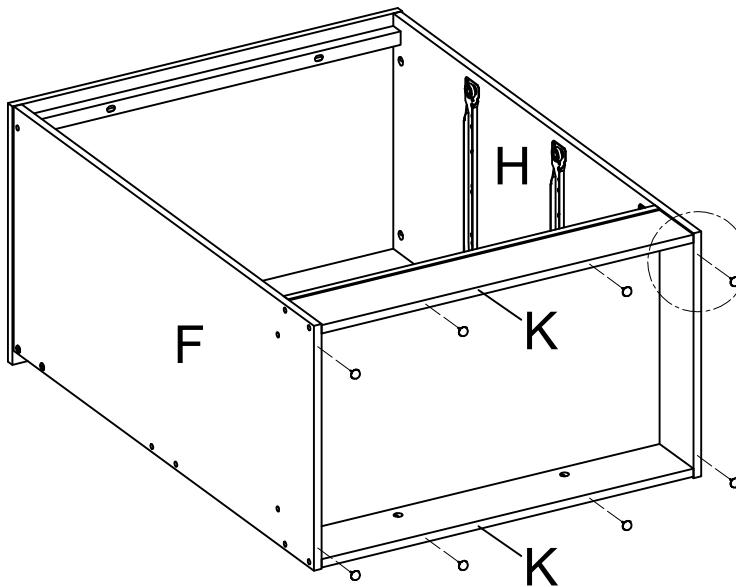
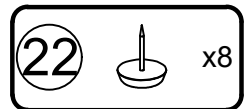
STEP 10



STEP 11

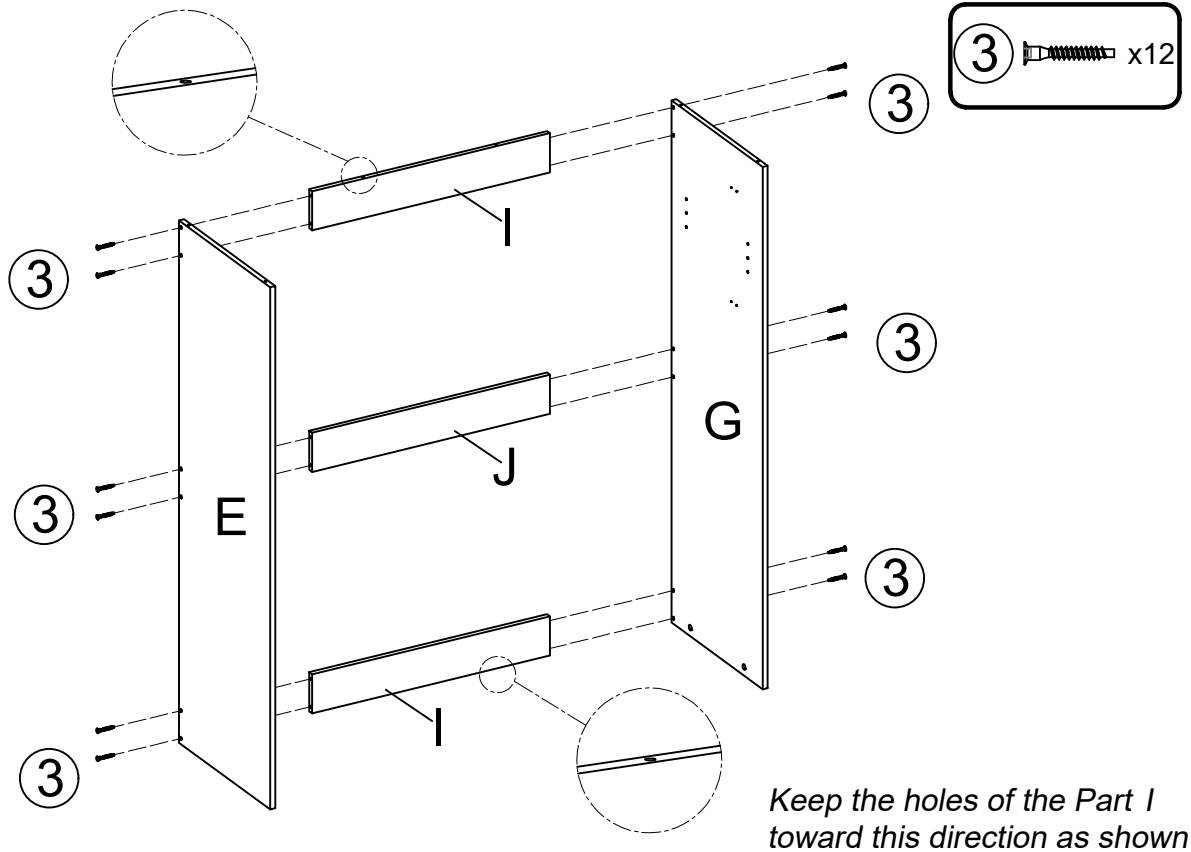


STEP 12

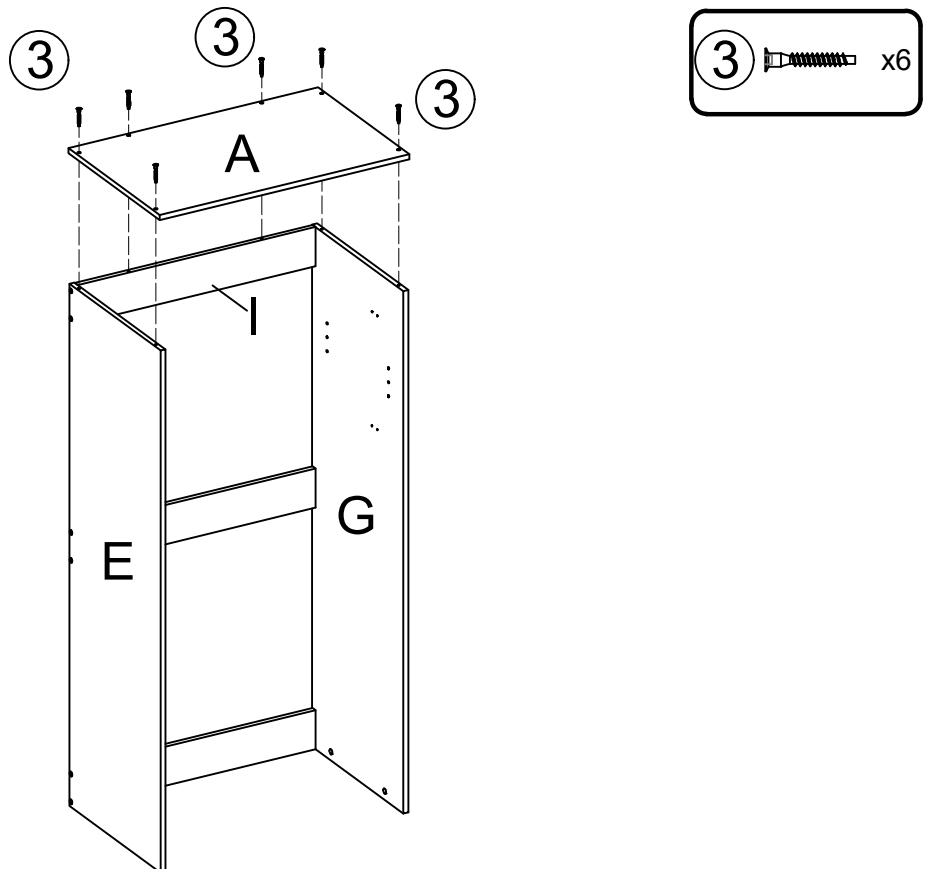


Gently tap the Floor Protectors ②② at the bottom of side panels avoiding crack or damage of side panel.

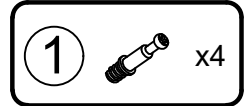
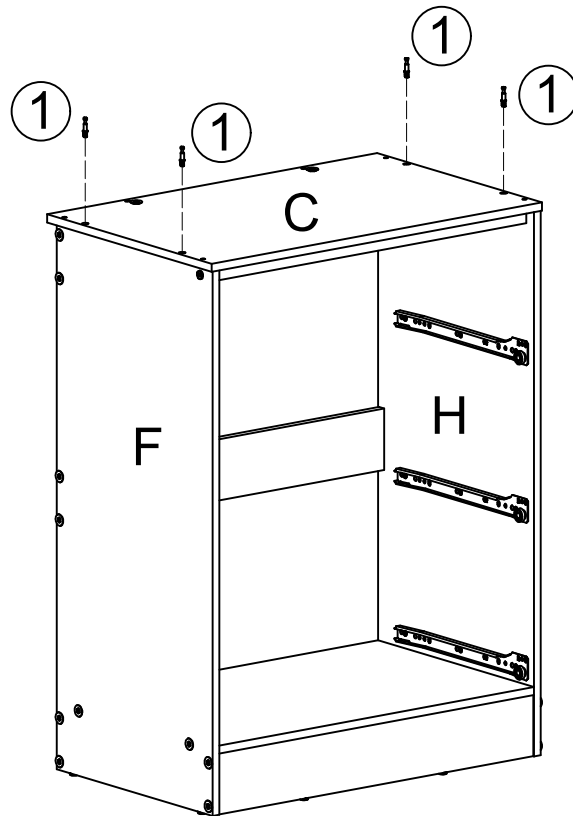
STEP 13



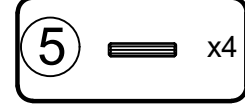
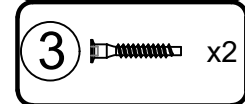
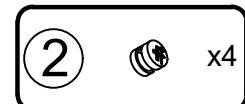
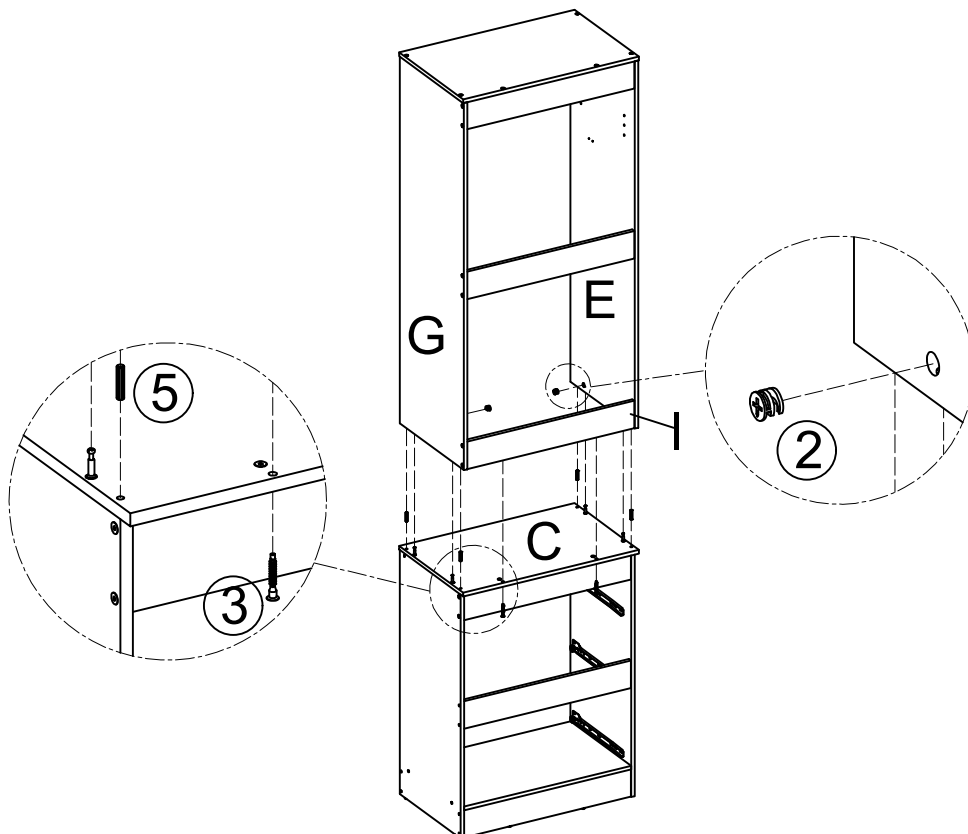
STEP 14



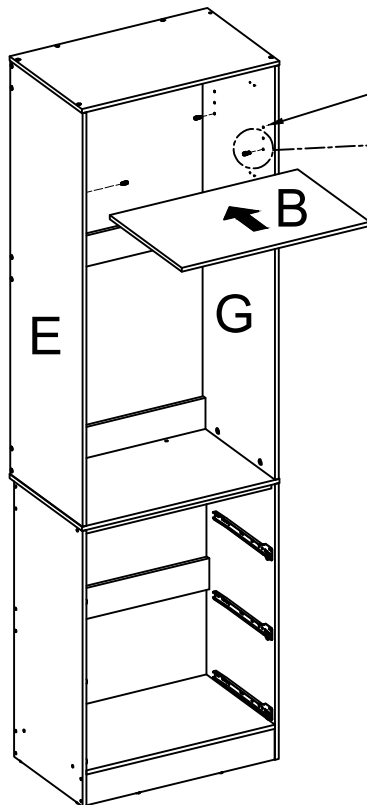
STEP 15



STEP 16

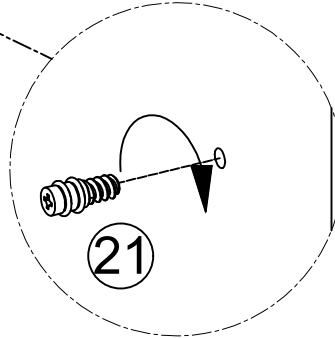


STEP 17

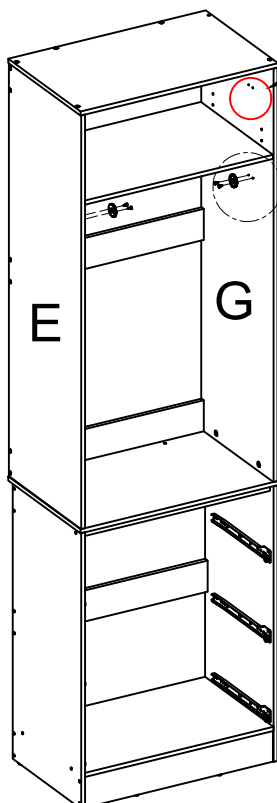


There are 3 heights for the shelf to be adjusted as you need.

21  x4



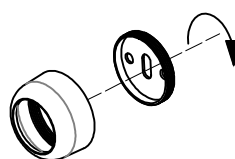
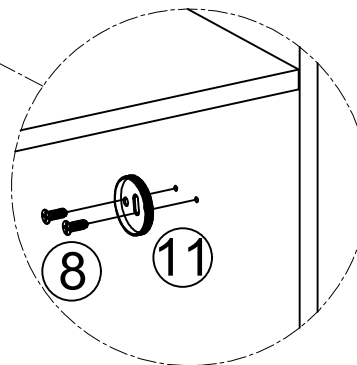
STEP 18



Note: there are 2 heights for the pole to be adjusted as you need. remove the shelf panel when you install it in higher position.

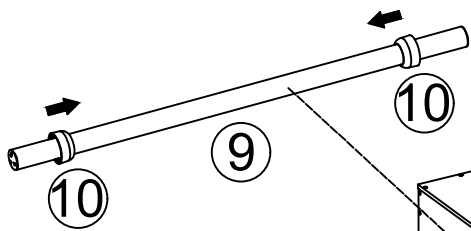
8  x4

11  x2

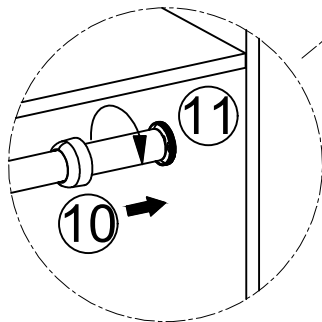
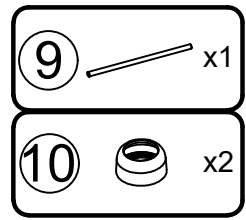


Please rotate and remove parts 10 and 11 as instructed.
Note: If necessary, please wear protective gloves during this step to avoid hand injuries.

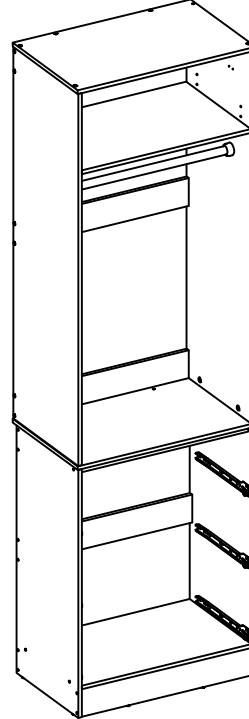
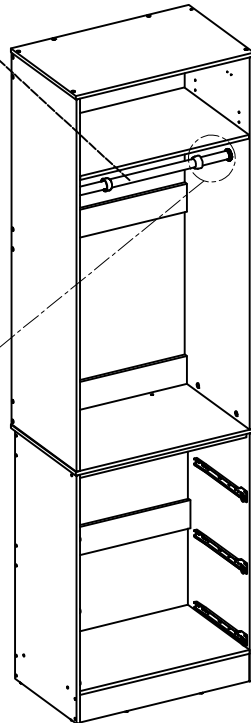
STEP 19



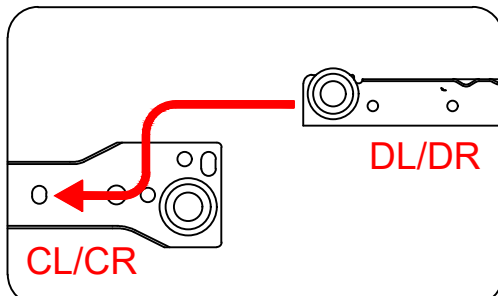
Please slide part (10) onto the rod part (9) with the threads facing outwards.



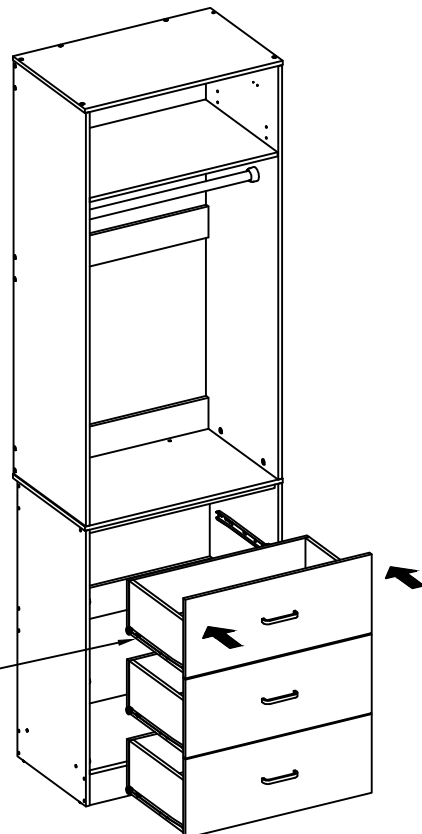
reinstall part (10) to part (11)



STEP 20

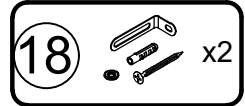


Please put the wheels align with the slots as the instruction shows, then slide into them



STEP 21

TIPPING RESTRAINT HARDWARE



Note: We have included two Tipping Restraint Hardware set for this Unit. When properly installed, this restraint can provide protection against the unexpected tipping of the Unit due to small tremors, bumps or climbing. We strongly recommend mounting this hardware to a wall stud and your Unit.

Note: You must install the Tipping Restraint Hardware with the unit in use to prevent any accidents or damage to the unit.

