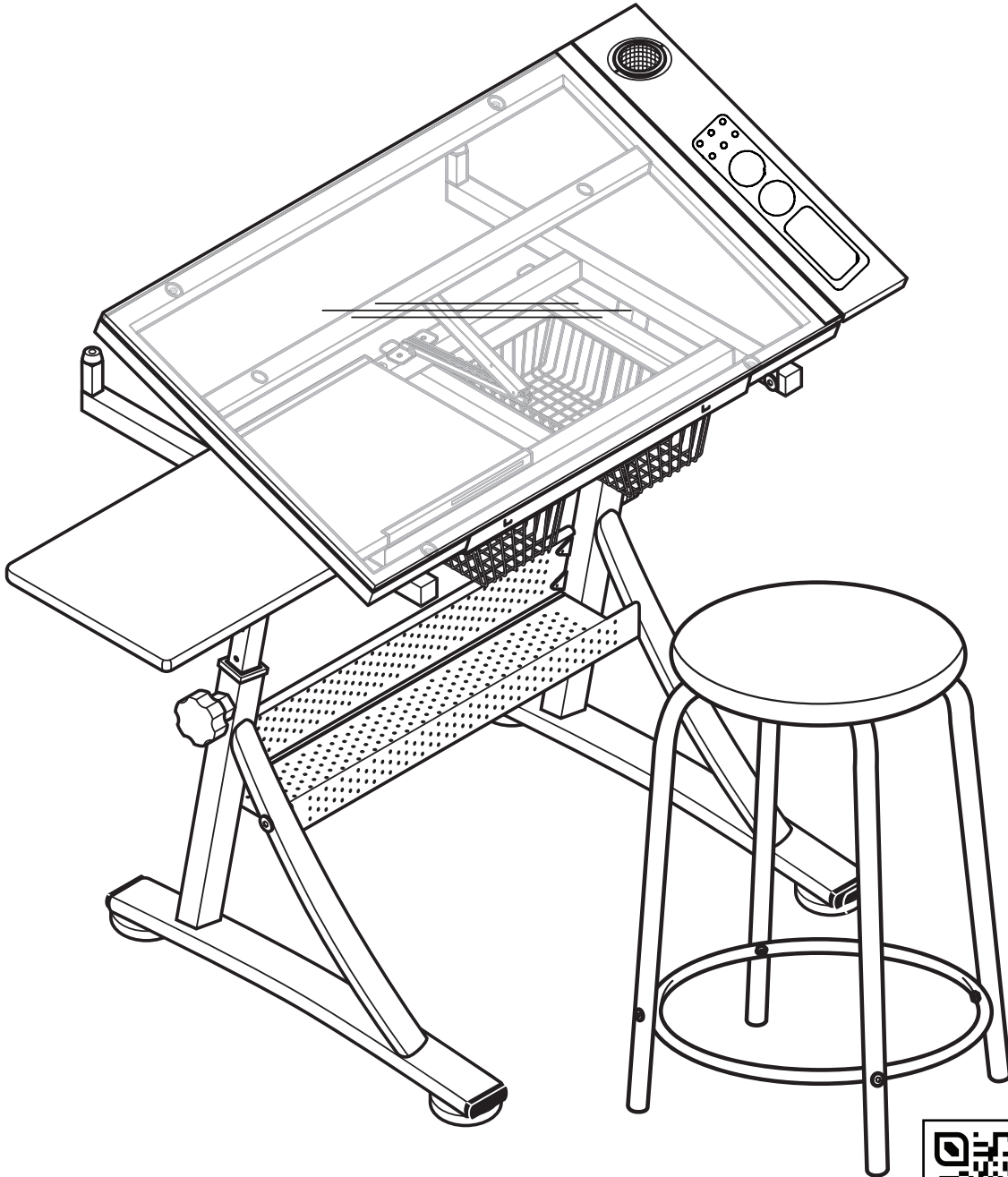


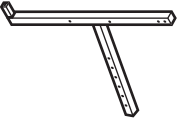
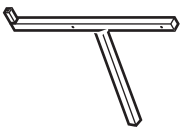
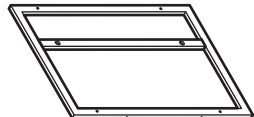
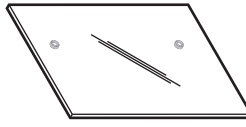



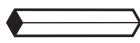
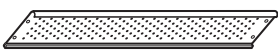
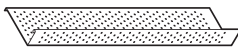

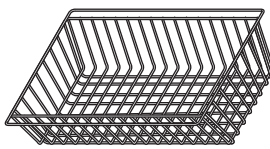

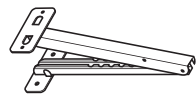

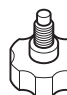
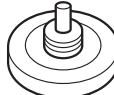
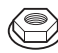

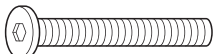
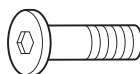
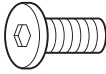
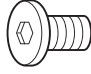
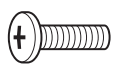


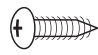
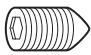
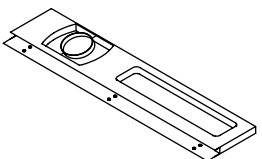
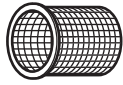
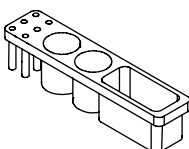
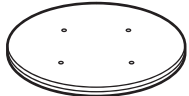

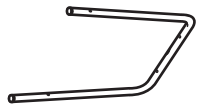
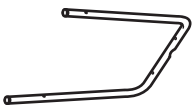
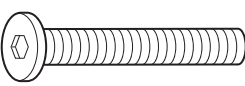
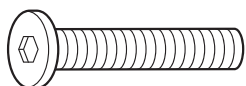
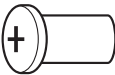


MoNiBloom

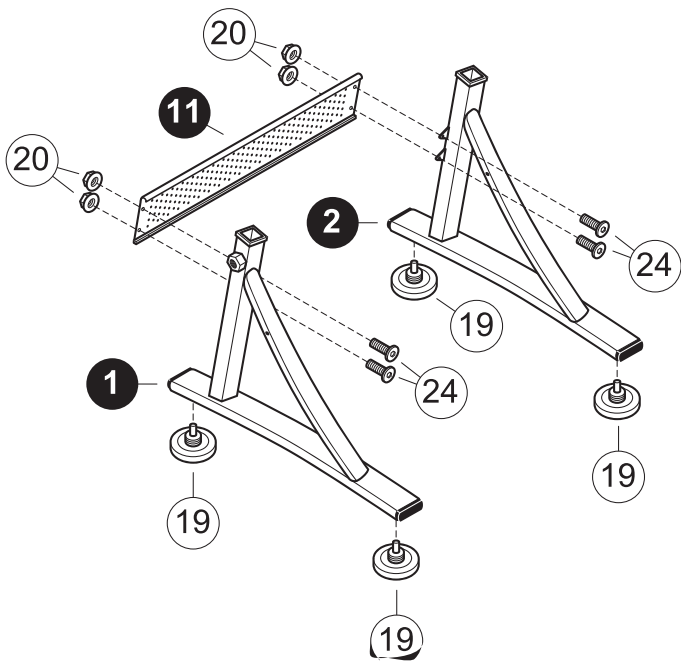
Installation instruction



 1x1	 2x1	 3x1	 4x1	 5x1
 6x1	 7x1	 8x1	 9x1	 10x1
 11x1	 12x1	 13x4	 14x2	 15x1
 16x1	 17x2	 18x2	 19x4	 20x4
 21x4	 22x7 M6x40	 23x2 M6x15	 24x14 M6x12	 25x2 M6x8
 26x8 M4x12	 27x4	 28x2	 29x4 M4x14	 30x3
 31x1	 32x1	 33x1	 34x1	 35x1
 36x1	 37x1	 38x4 M6x35	 39x4 M6x30	 40x4

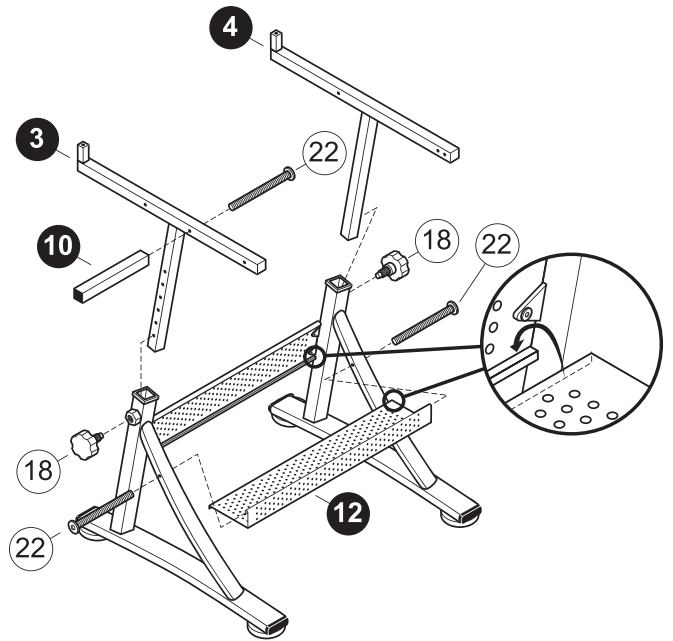
STEP 1

Do not fully tighten any bolt until step 4.

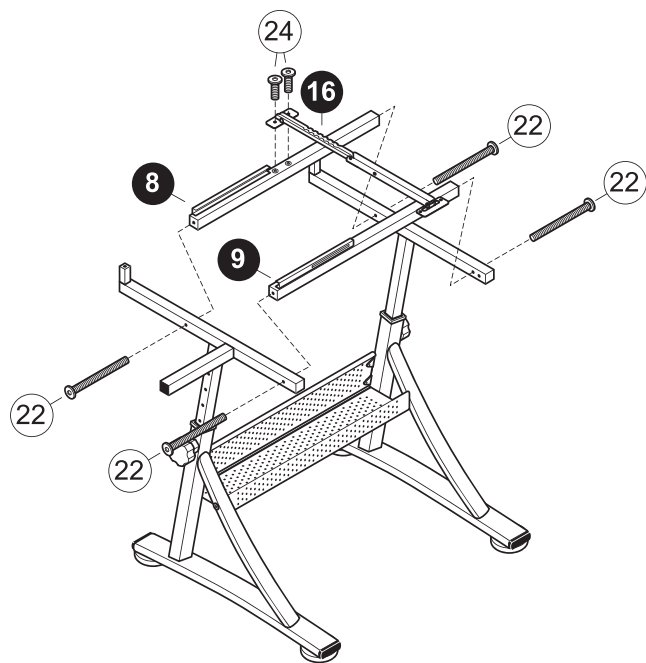


STEP 2

Screw Knobs(18) into first hole in Left and Right Arms(3 and 4).

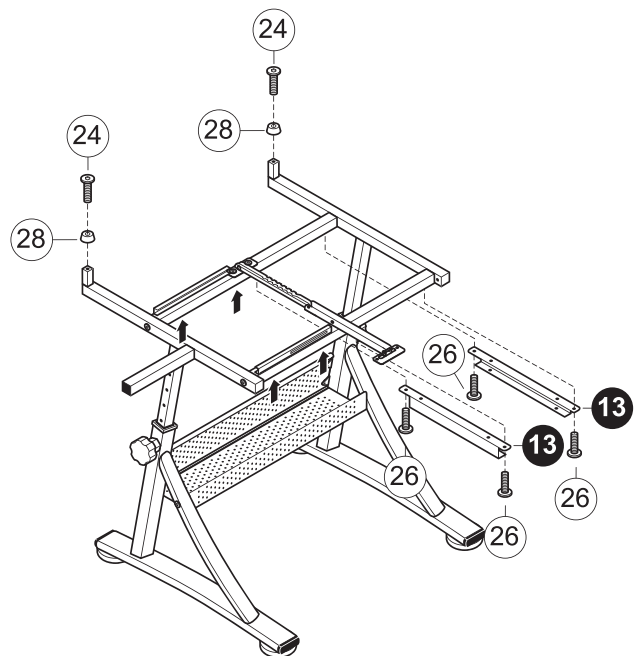


STEP 3



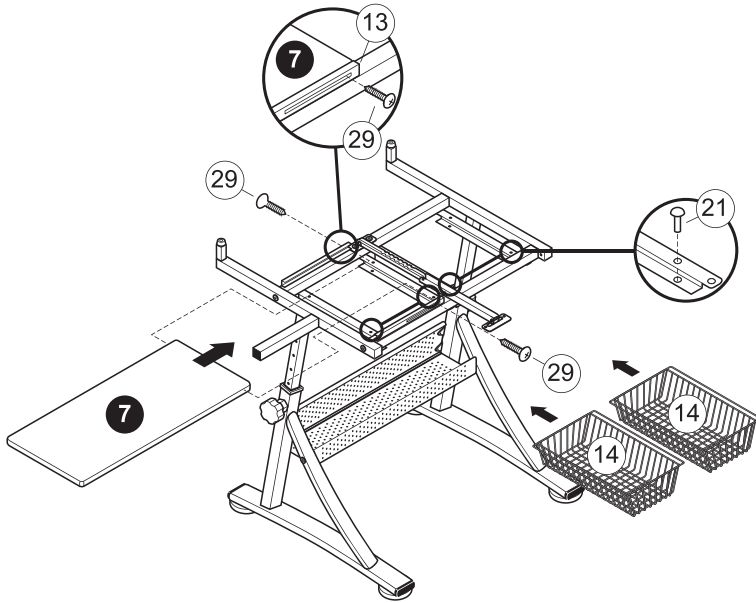
STEP 4

Repeat step to assemble two more Rails(13) on left side.

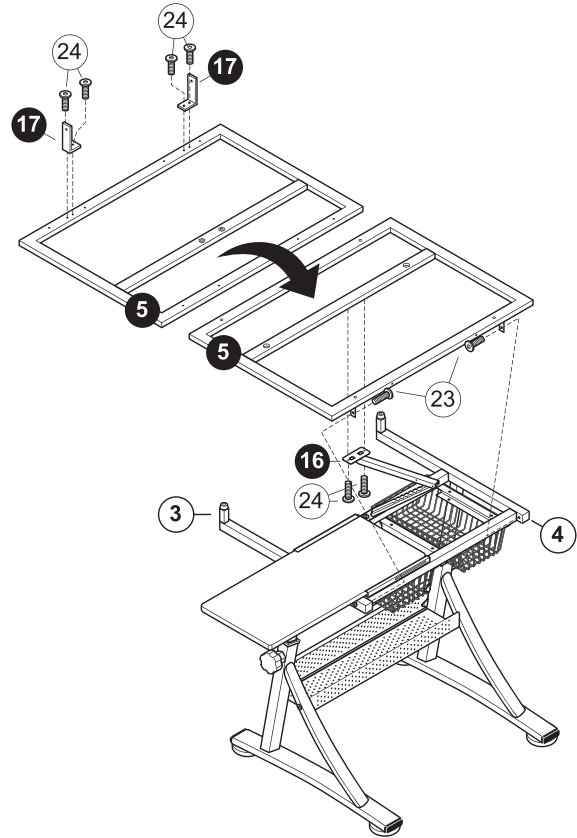


STEP 5

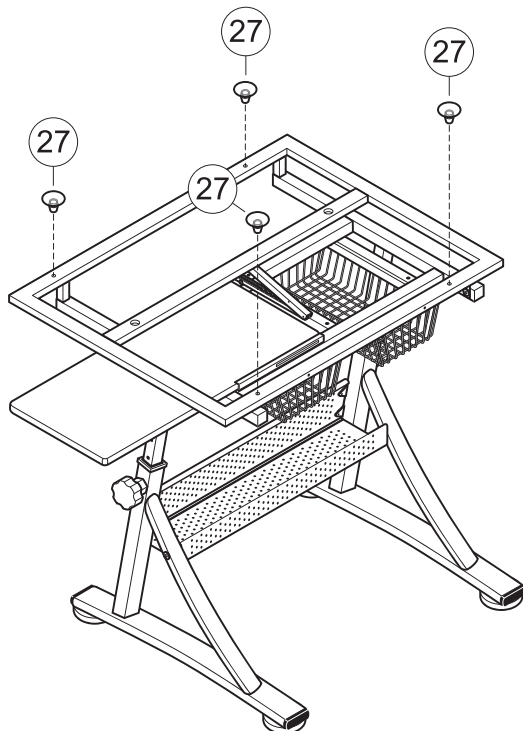
Insert Baskets(14) and Insert one Pin(21) into front holes in Rails to prevent Basket from falling out.



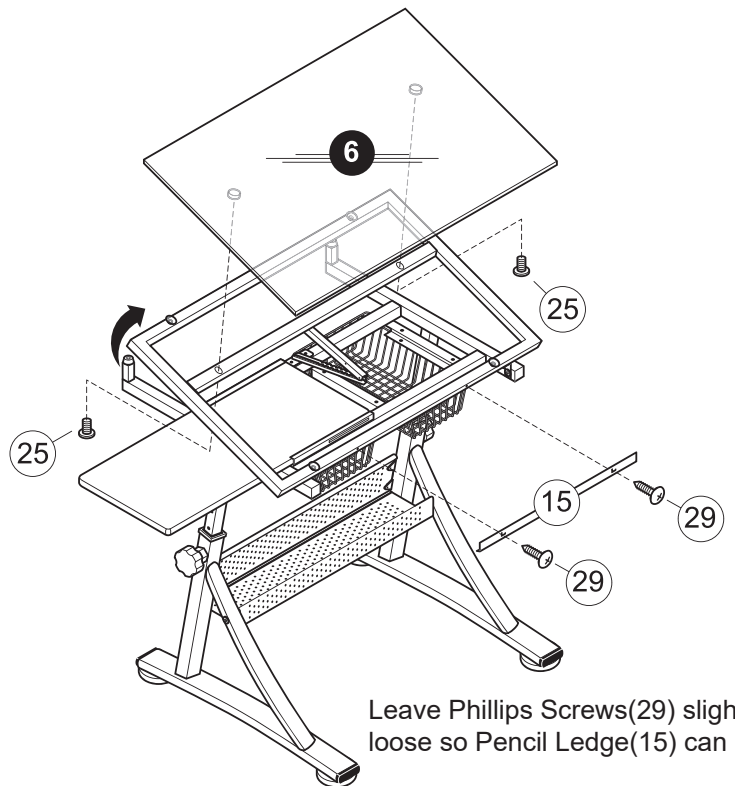
STEP 6



STEP 7

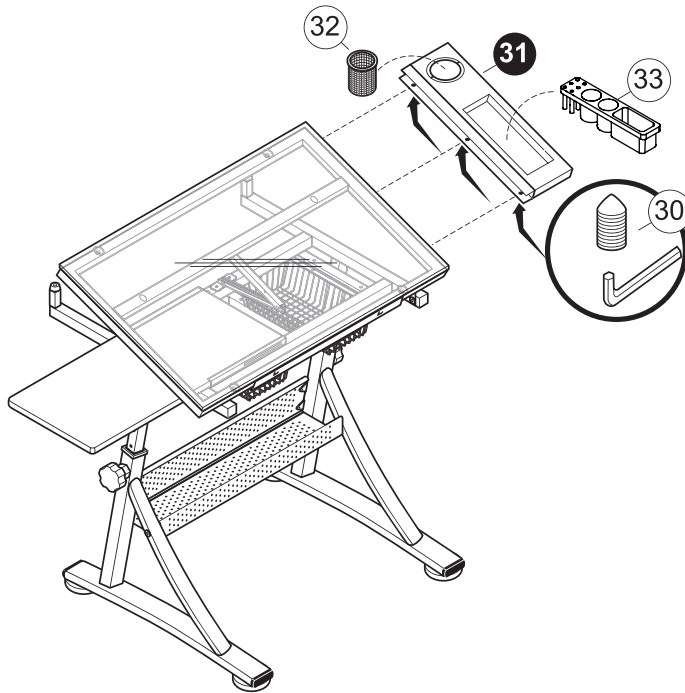


STEP 8



STEP 9

Slide Metal Tray(31) over edge of table, and secure using Allen Screws(30) (do not overtighten).



STEP 10

Note the curve on the legs.

