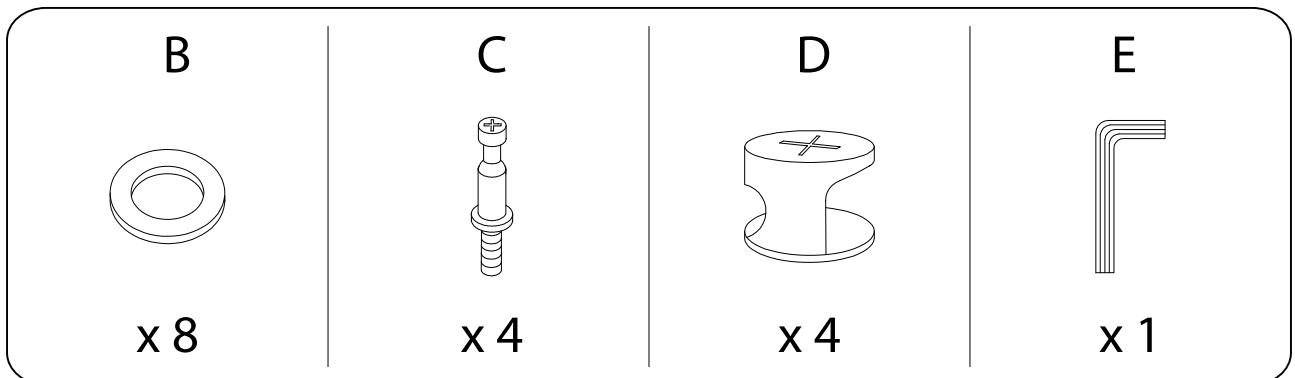
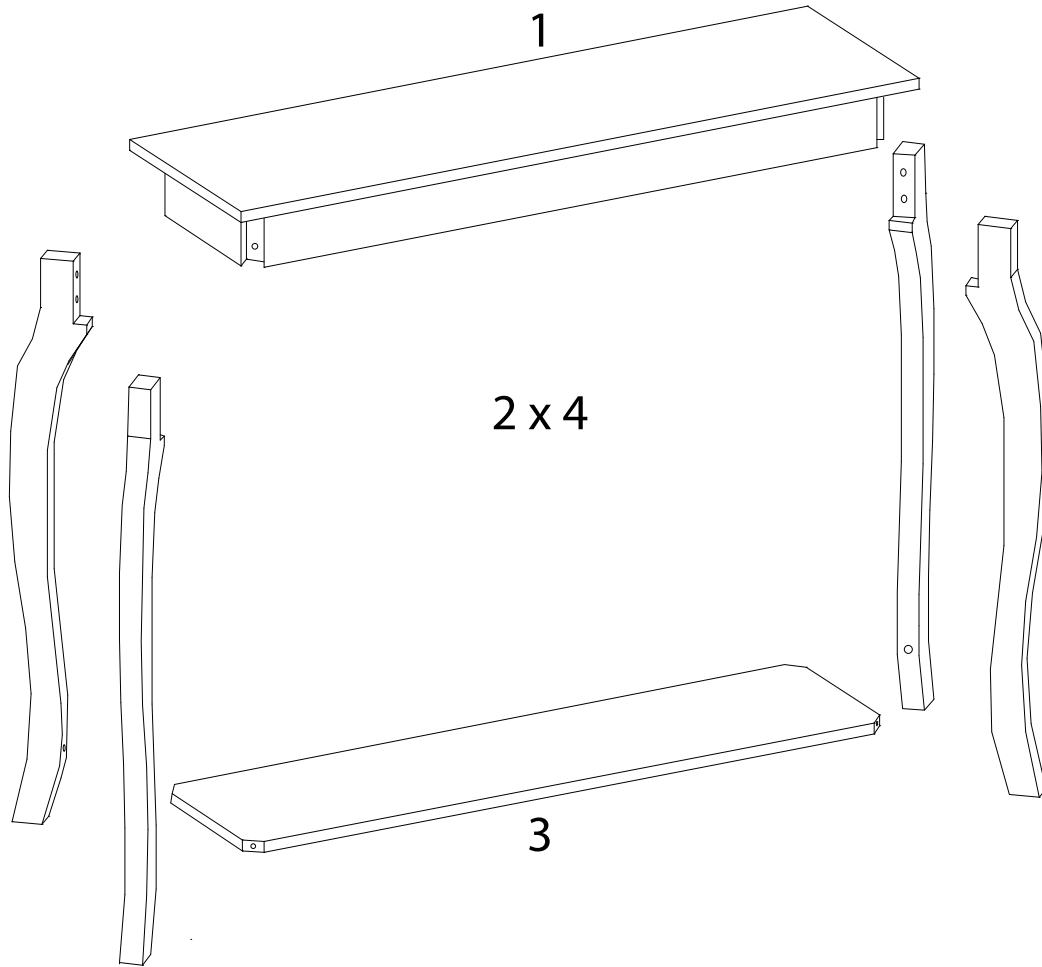
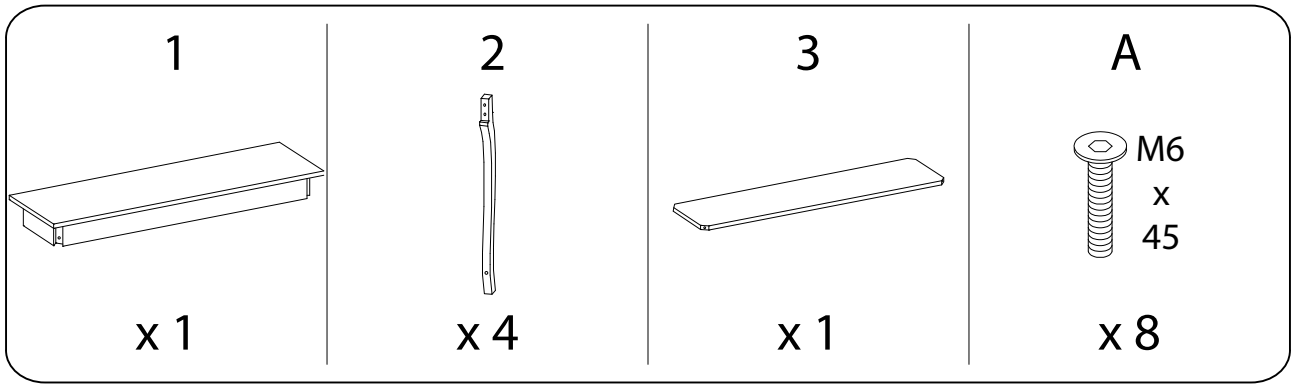
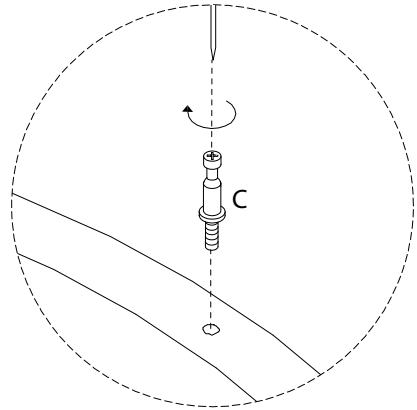
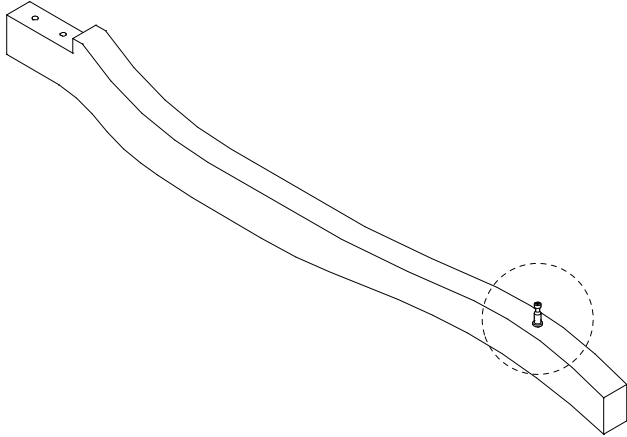
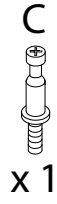


Diagram illustrating assembly instructions and safety warnings:

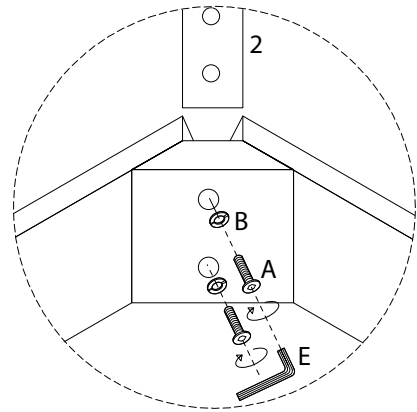
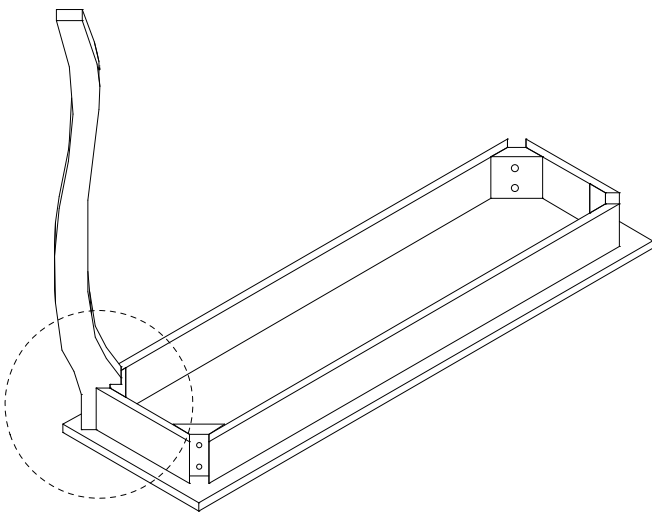
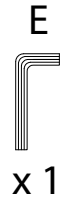
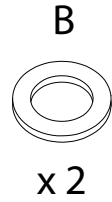
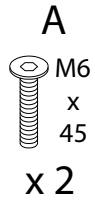
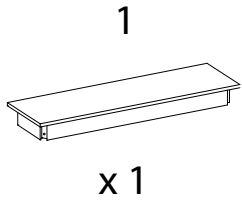
- Top Section:** Shows an L-shaped corner bracket being attached to a surface. A power drill is shown with a diagonal line through it, indicating that a power drill should not be used for this step. A warning triangle with an exclamation mark is positioned to the right.
- Bottom Section:** Shows a rectangular block being placed on a surface. A power drill is shown with a diagonal line through it, indicating that a power drill should not be used for this step. A warning triangle with an exclamation mark is positioned to the right.
- Timing:** A clock icon is shown with the text "30'" below it, indicating a 30-minute assembly time.
- Personnel:** A stick figure icon is shown with the number "1" below it, indicating that one person is required for assembly.



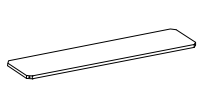
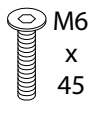
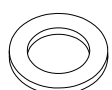

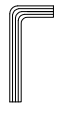
1 x 4

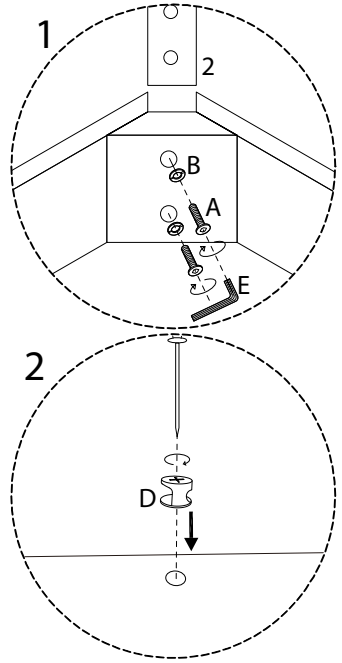
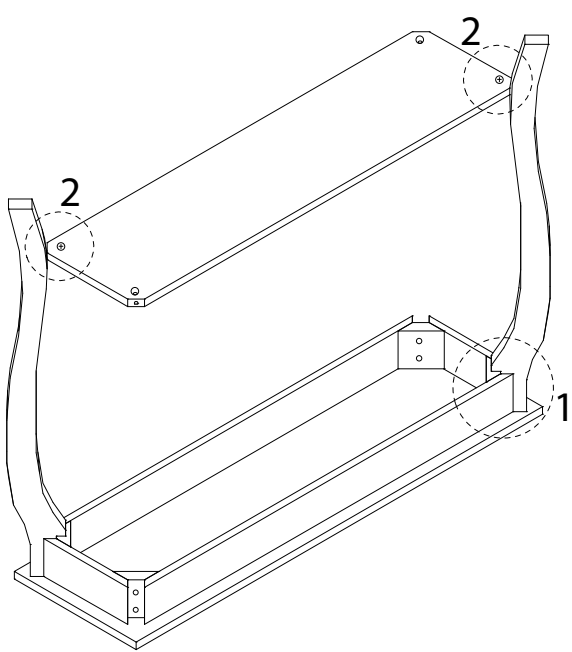


2

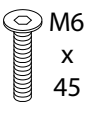
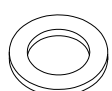
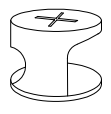


3

<p>3</p>  <p>x 1</p>	<p>A</p>  <p>M6 x 45</p> <p>x 2</p>	<p>B</p>  <p>x 2</p>	<p>D</p>  <p>x 2</p>	<p>E</p>  <p>x 1</p>
---	--	---	---	---



4

<p>A</p>  <p>M6 x 45</p> <p>x 4</p>	<p>B</p>  <p>x 4</p>	<p>D</p>  <p>x 4</p>
--	---	---

