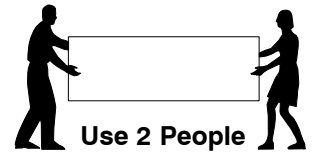
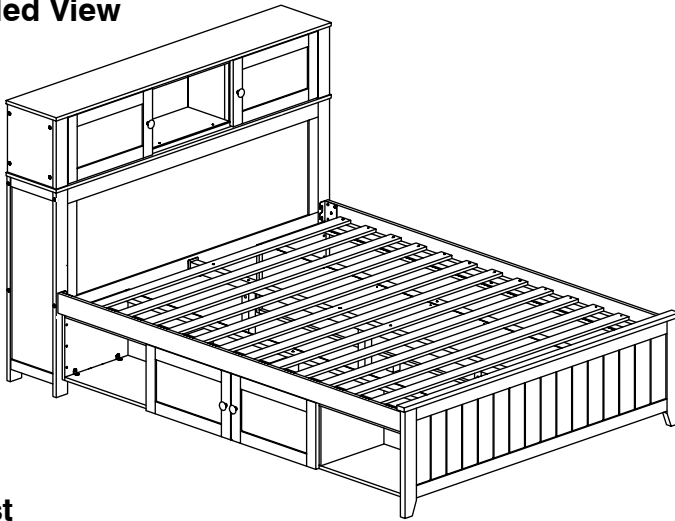


Queen Bed

Assembly Instructions

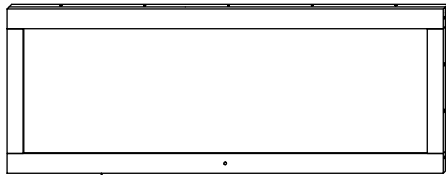
1 Assembled View



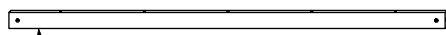
Note: Do not assemble using power tools. This can cause the bolts to be overtightened

2 Parts List

Parts in Box A:



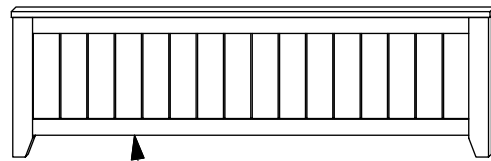
A Headboard Panel x 1



B Headboard Rear Top Rail x 1



C Headboard Rear Bottom Rail x 1

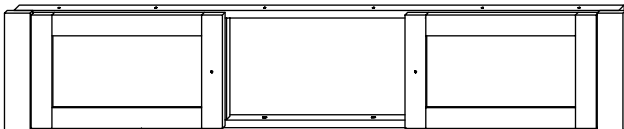


D Footboard x 1

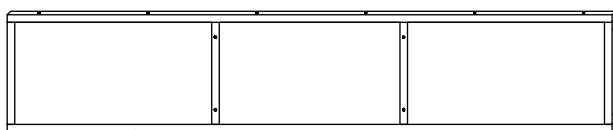
Parts in Box B:



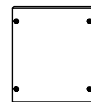
E Headboard / Upper Storage Top Panel x 2



F Upper Storage Front Frame x 1



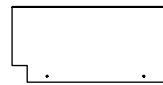
G Upper Storage Rear Frame x 1



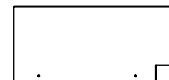
H Upper Storage Side Panel x 2



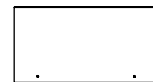
J Upper Storage Divider x 2



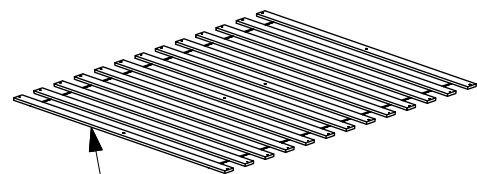
K Upper Storage Base (Left Hand) x 1



L Upper Storage Base (Right Hand) x 1



M Upper Storage Base (Middle) x 1



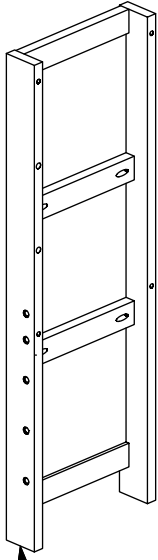
N Set of Bed Slats x 1

Queen Bed

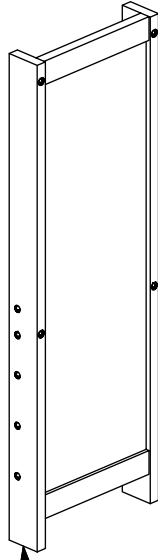
Assembly Instructions

2 Part List

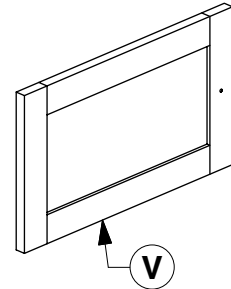
Parts in Box C:



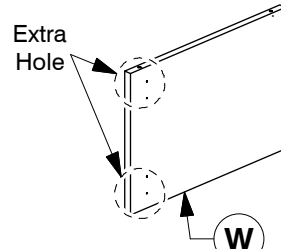
O Headboard Side Panel (Left Hand) x 1



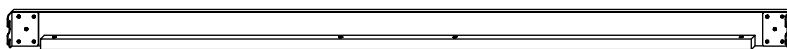
P Headboard Side Panel (Right Hand) x 1



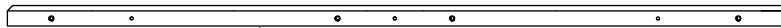
V Lower Storage Door Panel x 4



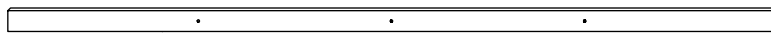
W Lower Storage Divider x 6



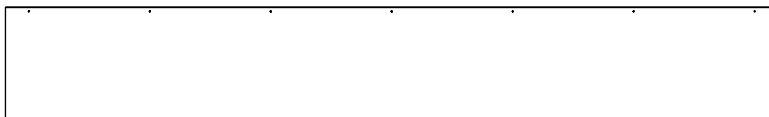
Q Side Rail x 2



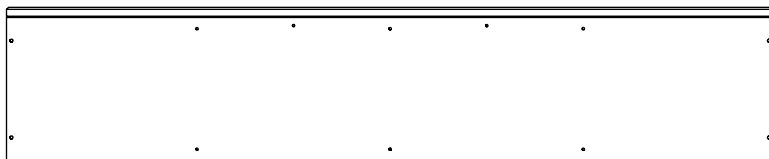
R Long Support x 1



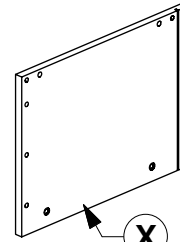
S Lower Storage Support Rail x 4



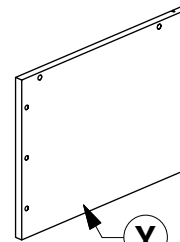
T Lower Storage Back Panel x 2



U Lower Storage Bottom Panel x 2



X Lower Storage Side Panel (Left Hand) x 2



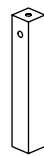
Y Lower Storage Side Panel (Right Hand) x 2



Z Lower Storage Foot x 4



Z1 Short Support Leg x 3



Z2 Support Leg x 3

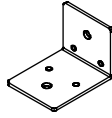
Queen Bed

Assembly Instructions

3 Hardware List



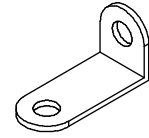
1 M4 Allen Key
x 1



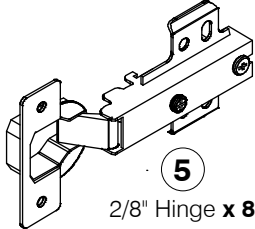
2 Center Rail
Bracket x 2



3 'L' Bracket
(5005-3) x 8



4 'L' Bracket
(5003) x 2



5
2/8" Hinge x 8



6 M4 x 30mm
Bolt x 6



7 Wooden
Knob x 6



8 Spring
Washer x 8



9 Flat Washer
x 8



10 Barrel Nut
x 11



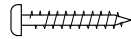
11 Wood Dowel
(M10 x 40mm)
x 4



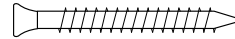
12 Wood Dowel
(M8 x 30mm)
x 8



13 Wood Screw
(M4 x 16mm)
x 56



14 Wood Screw
(M4 x 32mm)
x 52



15 CSK Cap Wood Screw
(M6 x 50mm) x 32



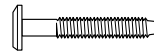
16 M6 x 15mm JCB
x 20



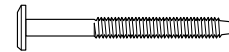
17 M6 x 20mm JCB
x 8



18 M6 x 30mm JCB
x 20



19 M6 x 40mm JCB
x 16



20 M6 x 60mm JCB
x 8

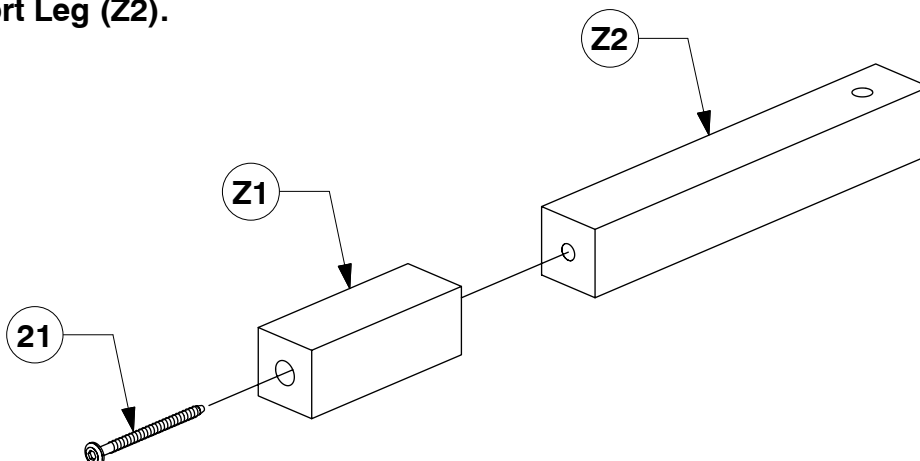


21 M6 x 90mm JCB
x 6



22 M6 x 100mm JCB
x 8

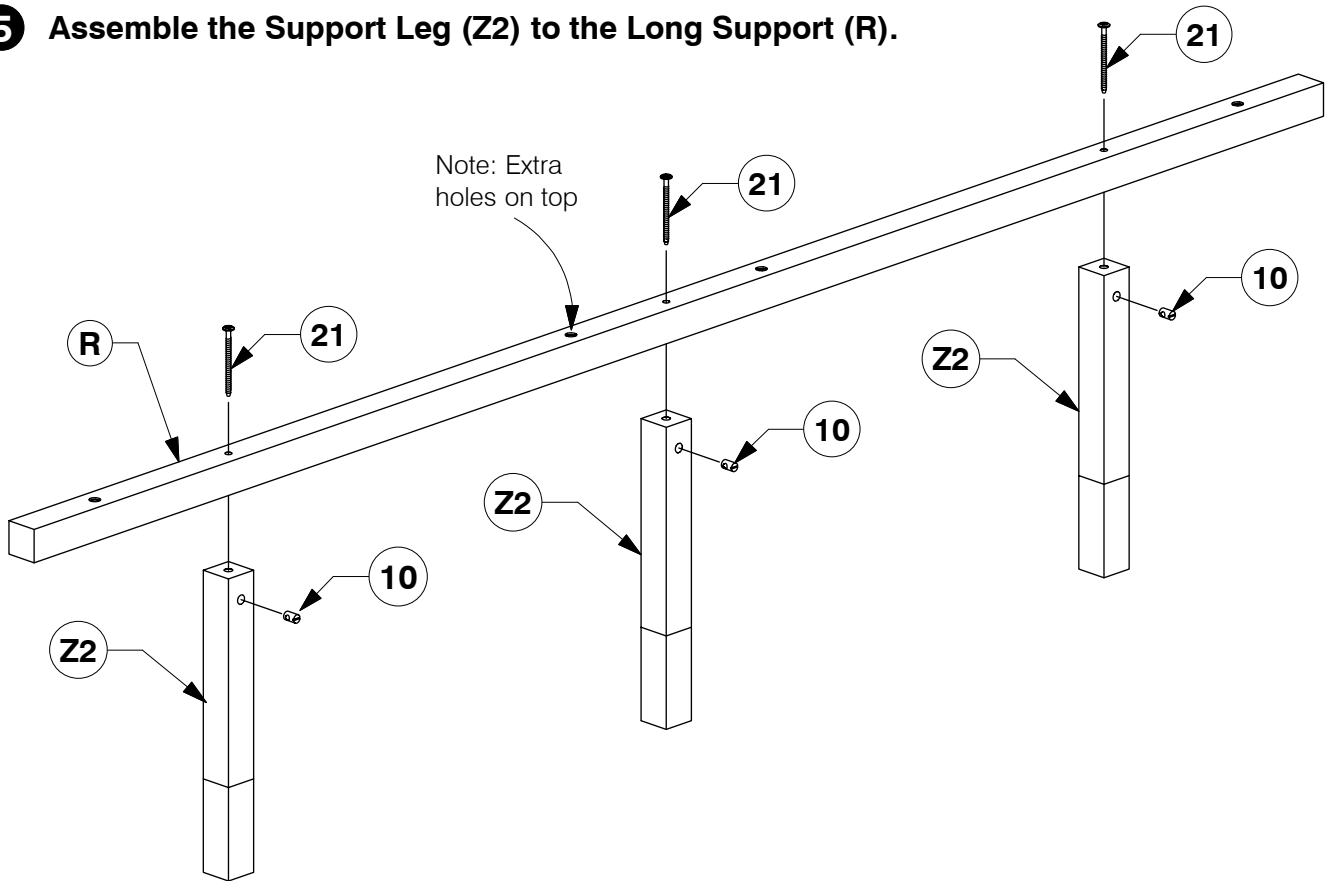
4 Fit the Short Support Leg (Z1) to the Support Leg (Z2).



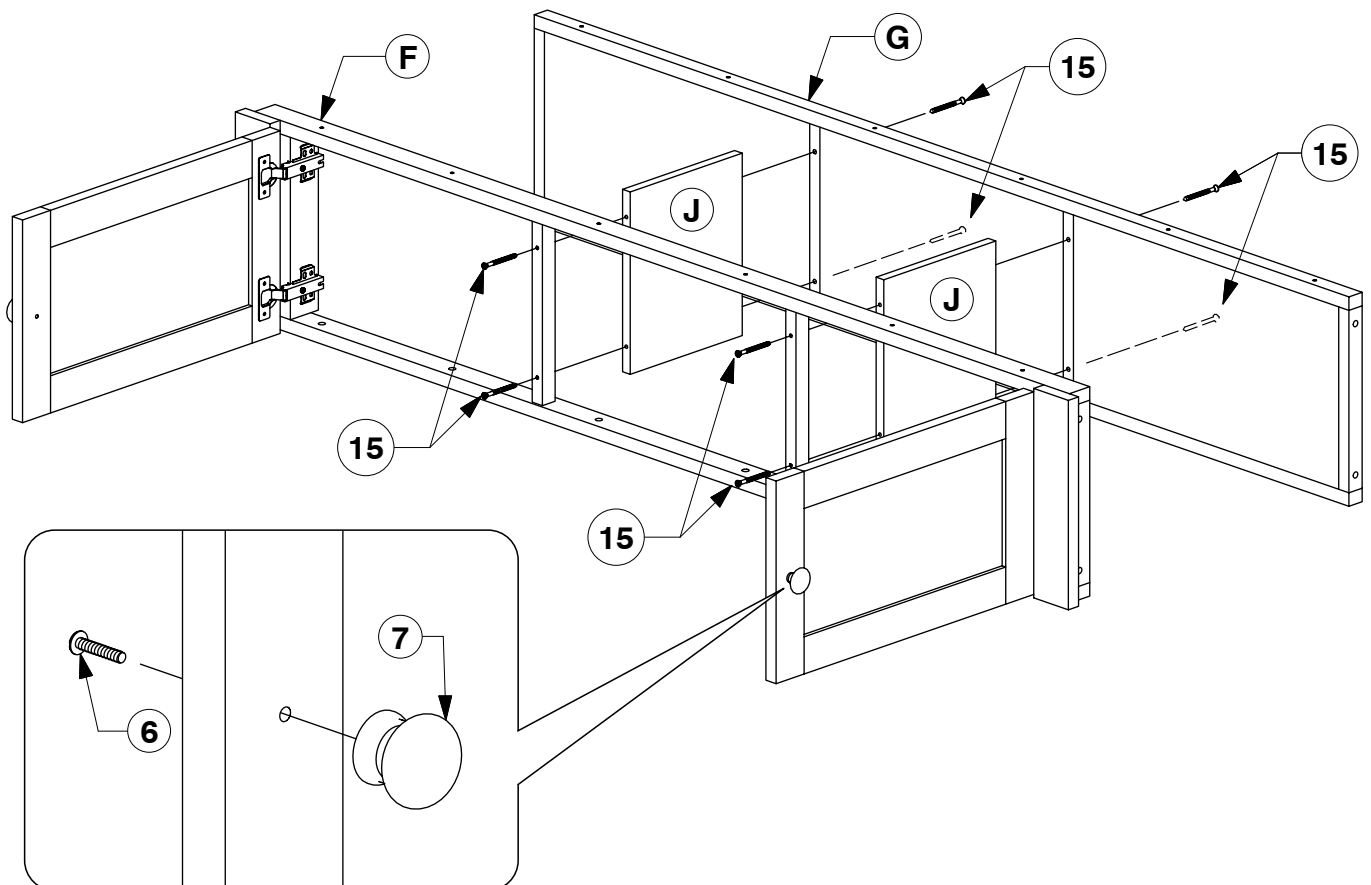
Queen Bed

Assembly Instructions

5 Assemble the Support Leg (Z2) to the Long Support (R).



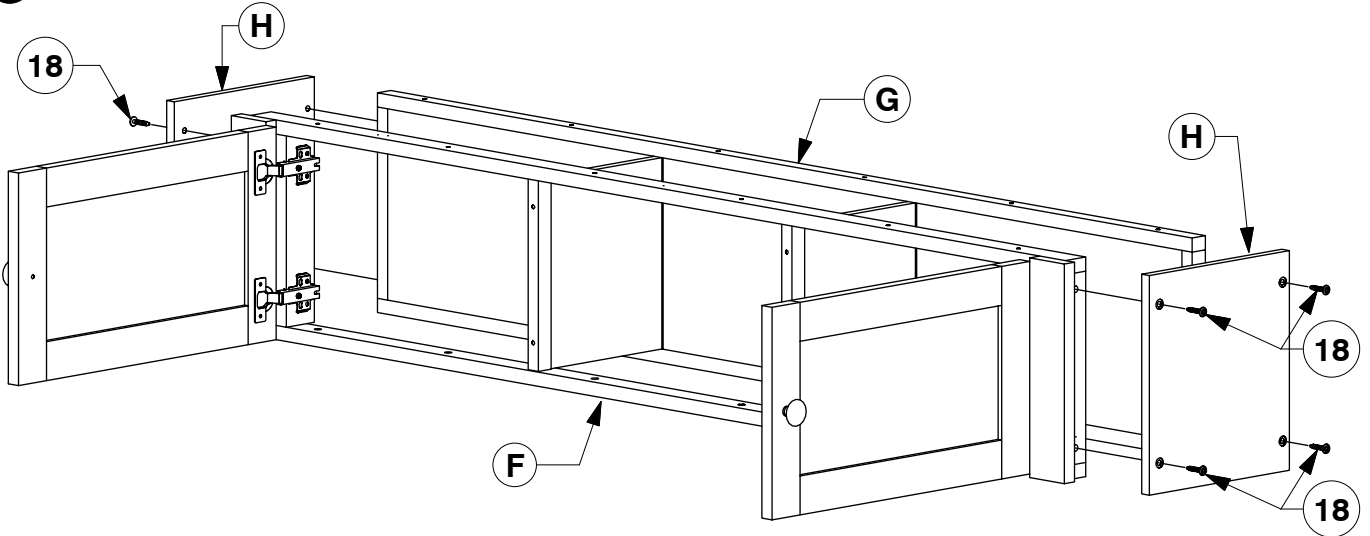
6 Assemble the Upper Storage Divider (J) to the Upper Storage Frames (F & G).



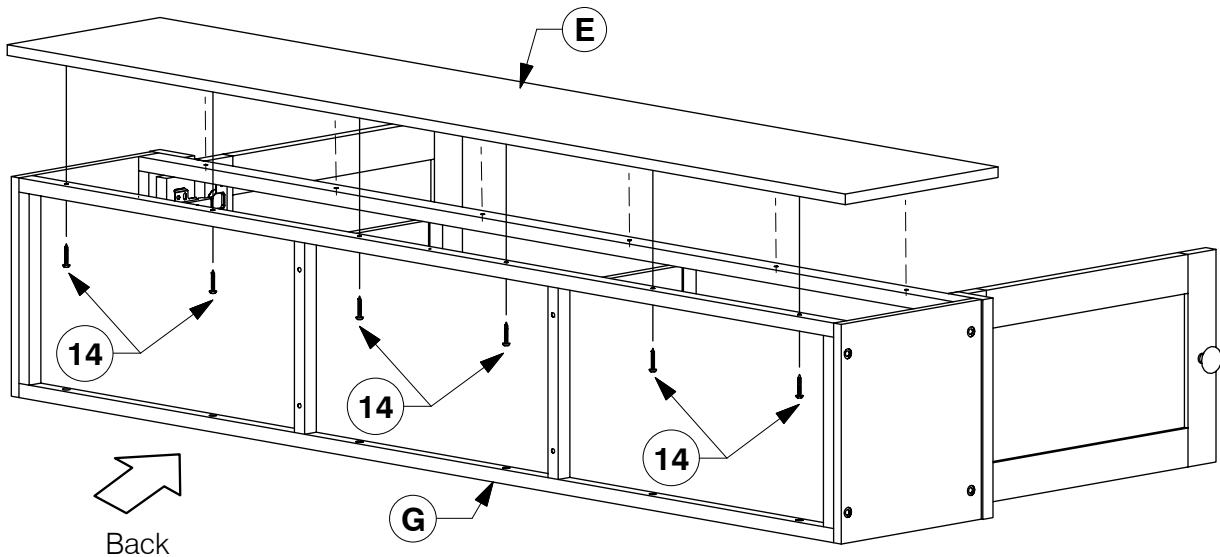
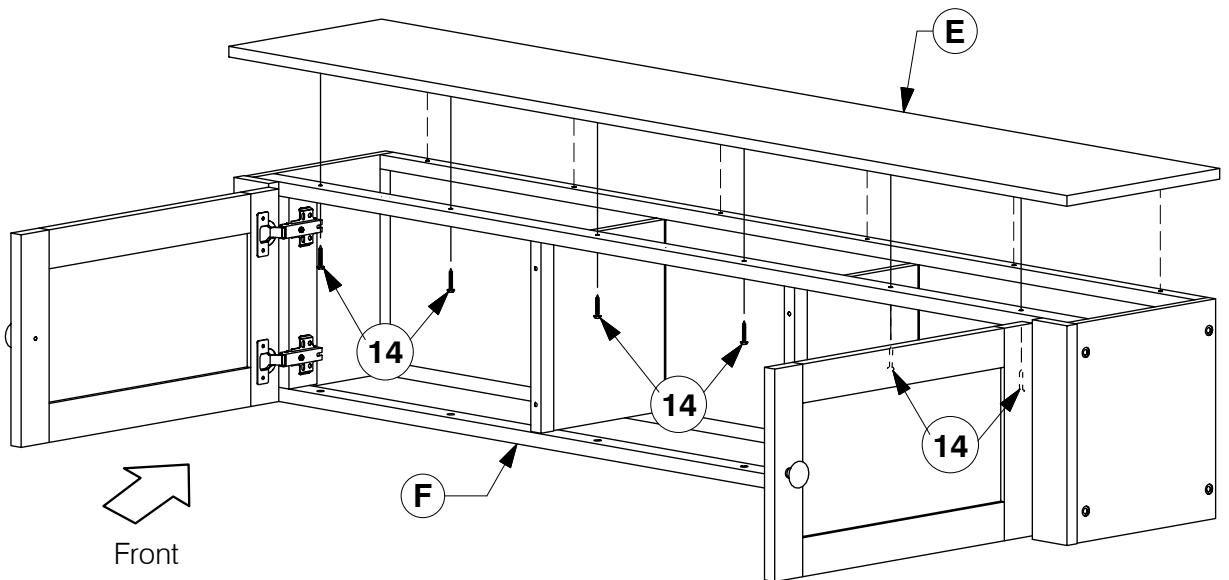
Queen Bed

Assembly Instructions

7 Fit the Upper Storage Side Panel (H) to the Frame.



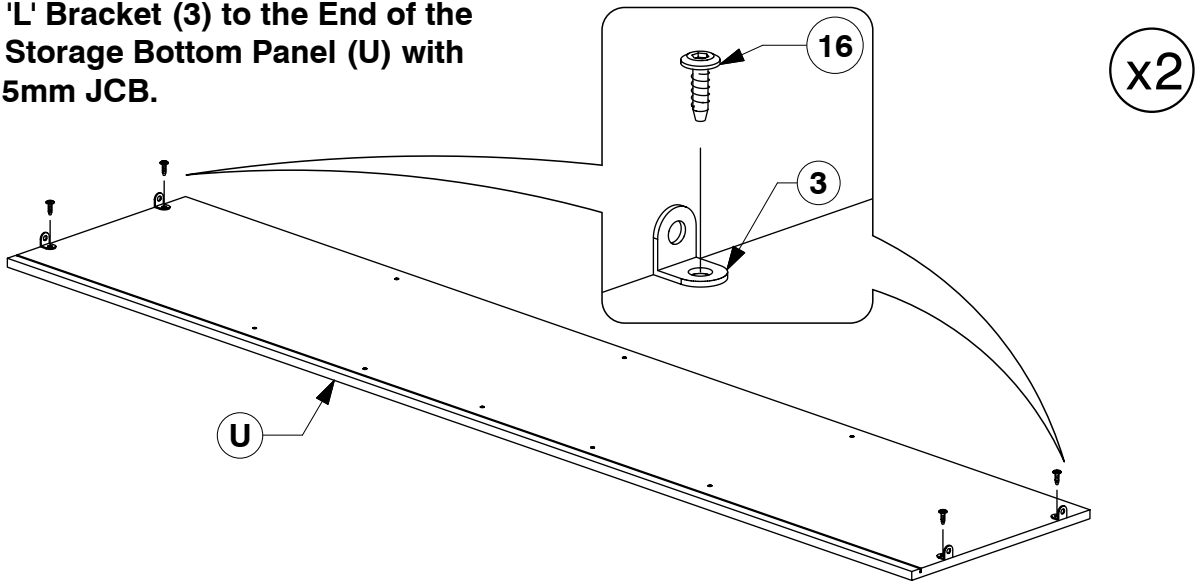
8 Assemble the Headboard / Upper Storage Top Panel (E) to the Frame.



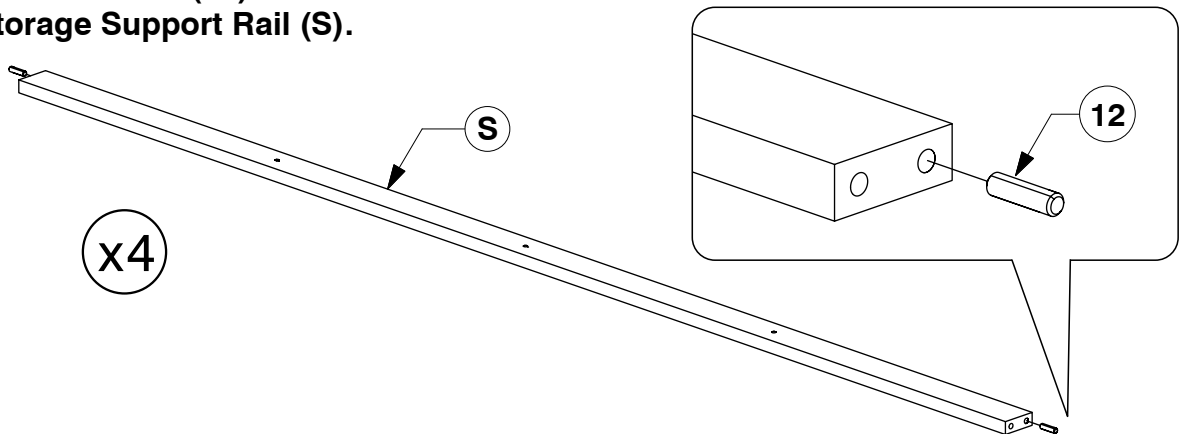
Queen Bed

Assembly Instructions

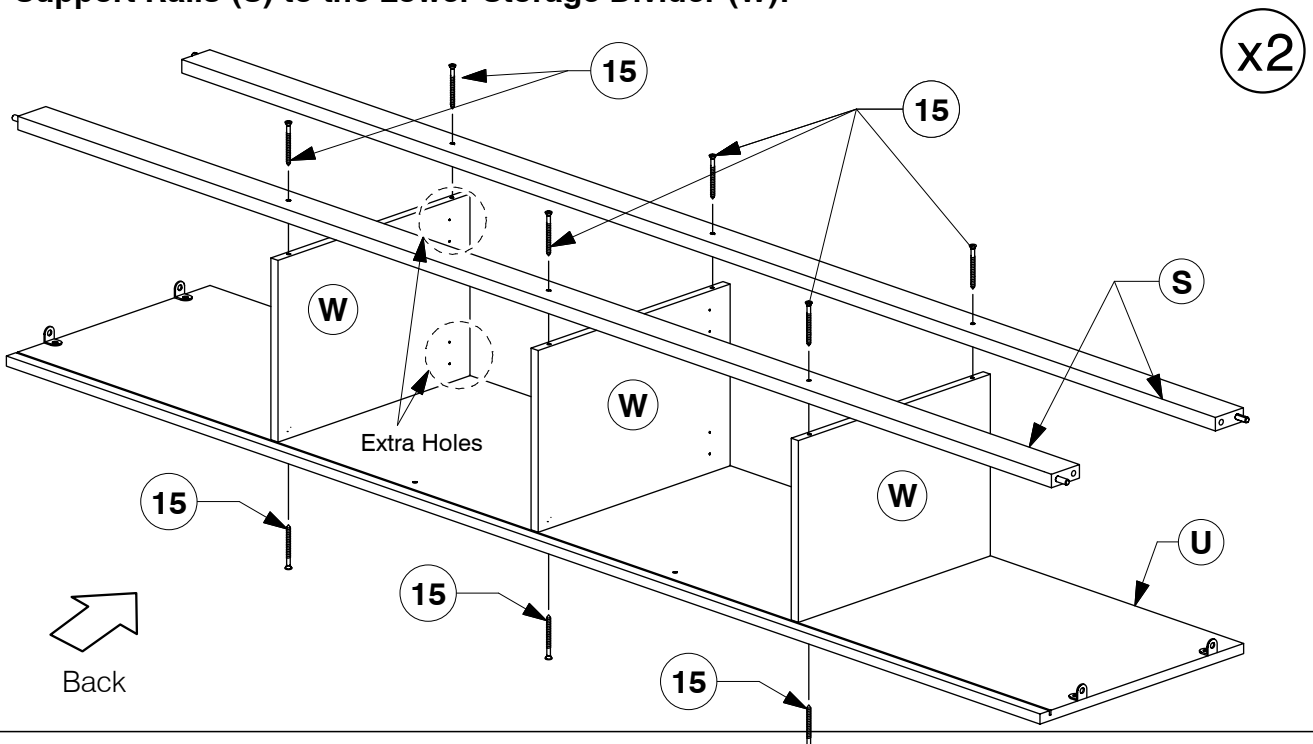
- 9** Fit the 'L' Bracket (3) to the End of the Lower Storage Bottom Panel (U) with M6 x 15mm JCB.



- 10** Tap the Wood Dowel (12) to the end of the Lower Storage Support Rail (S).



- 11** Assemble the Lower Storage Bottom Panel (U) & Lower Storage Support Rails (S) to the Lower Storage Divider (W).

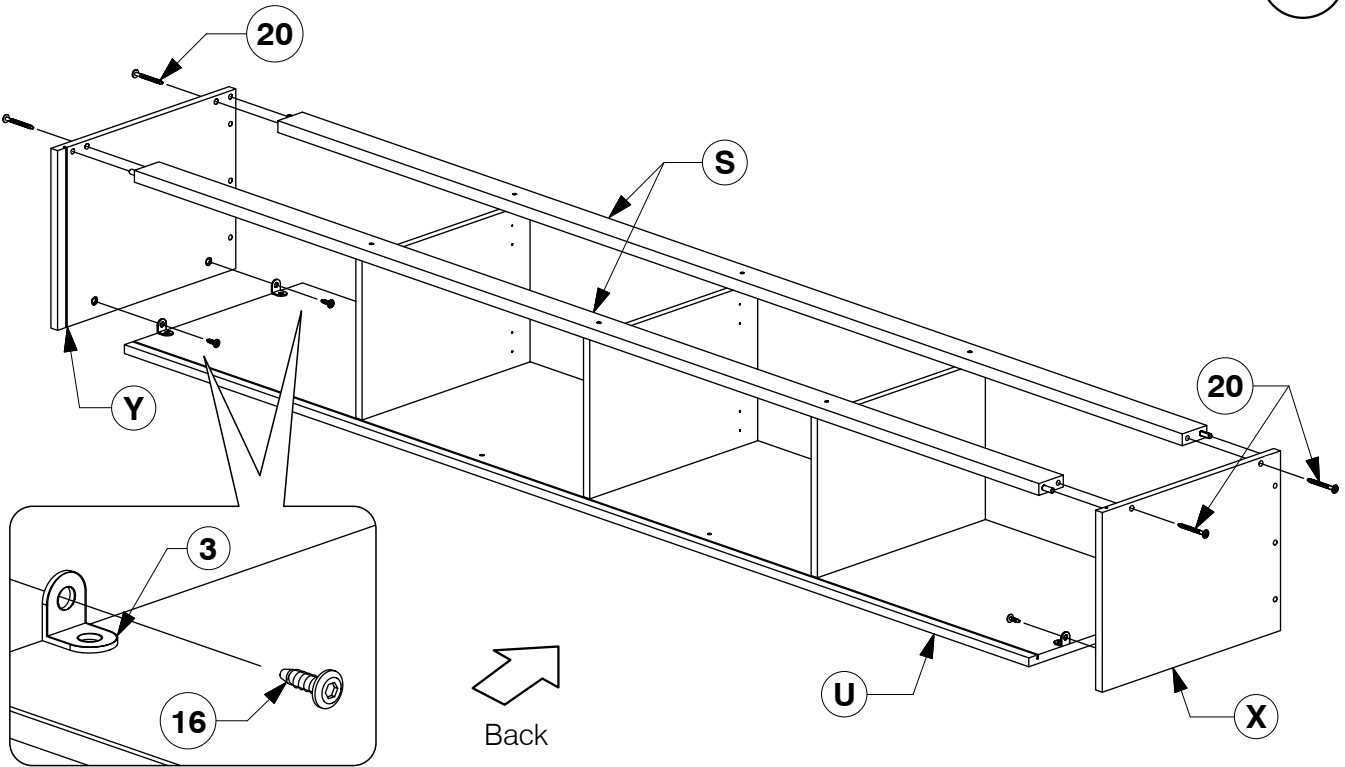


Queen Bed

Assembly Instructions

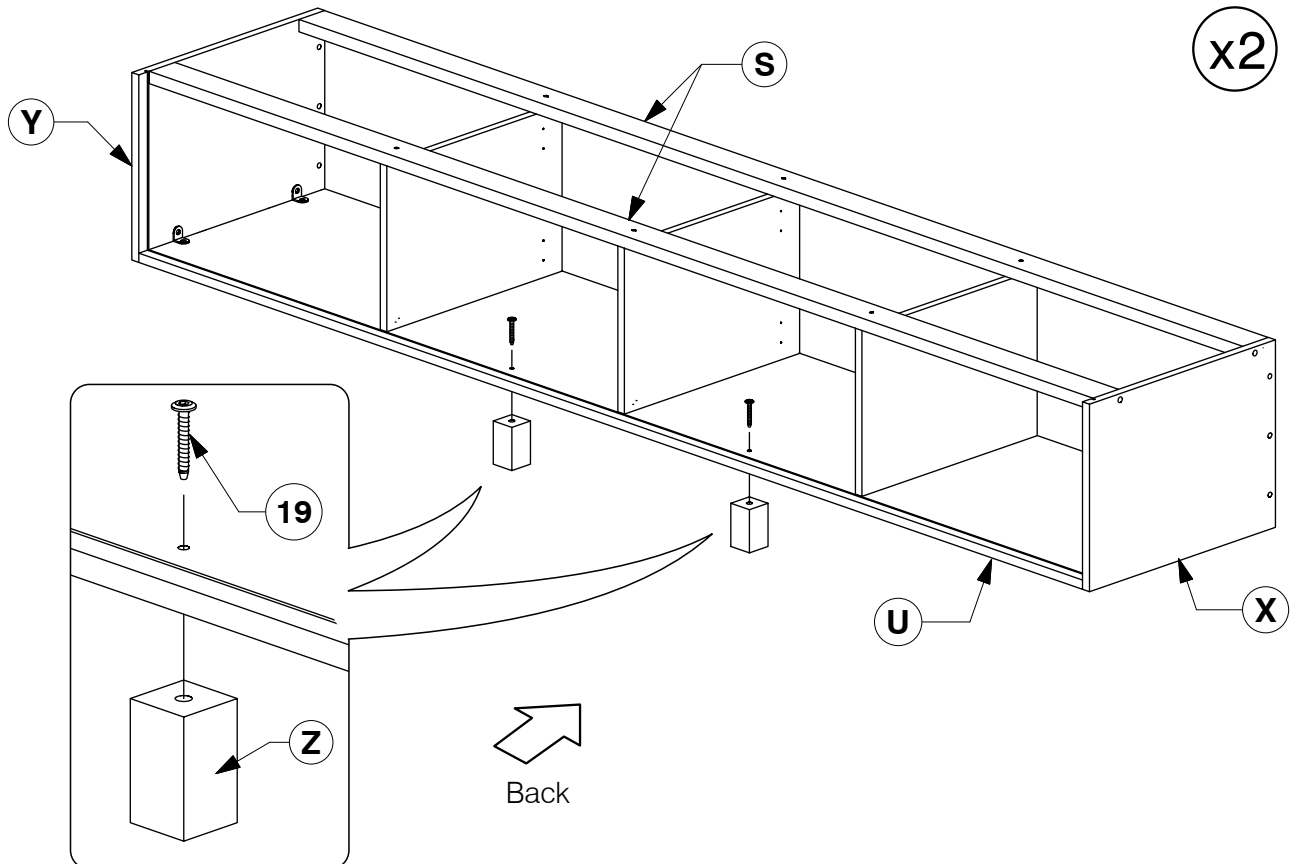
- 12** Assemble the left & right Lower Storage Side Panel (X & Y) to the Lower Storage Bottom Panel (U) & Lower Storage Support Rails (S).

x2



- 13** Fit the Lower Storage Foot (Z) to the Lower Storage Bottom Panel (U).

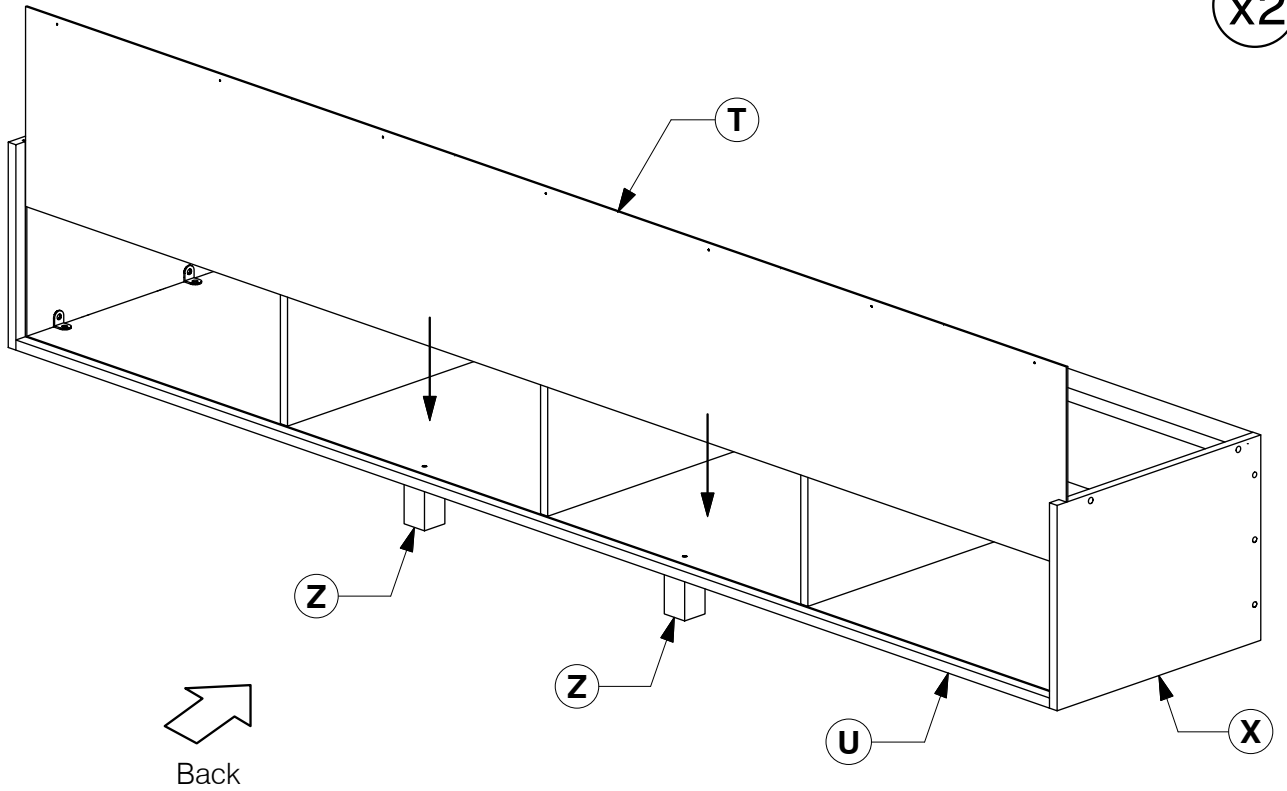
x2



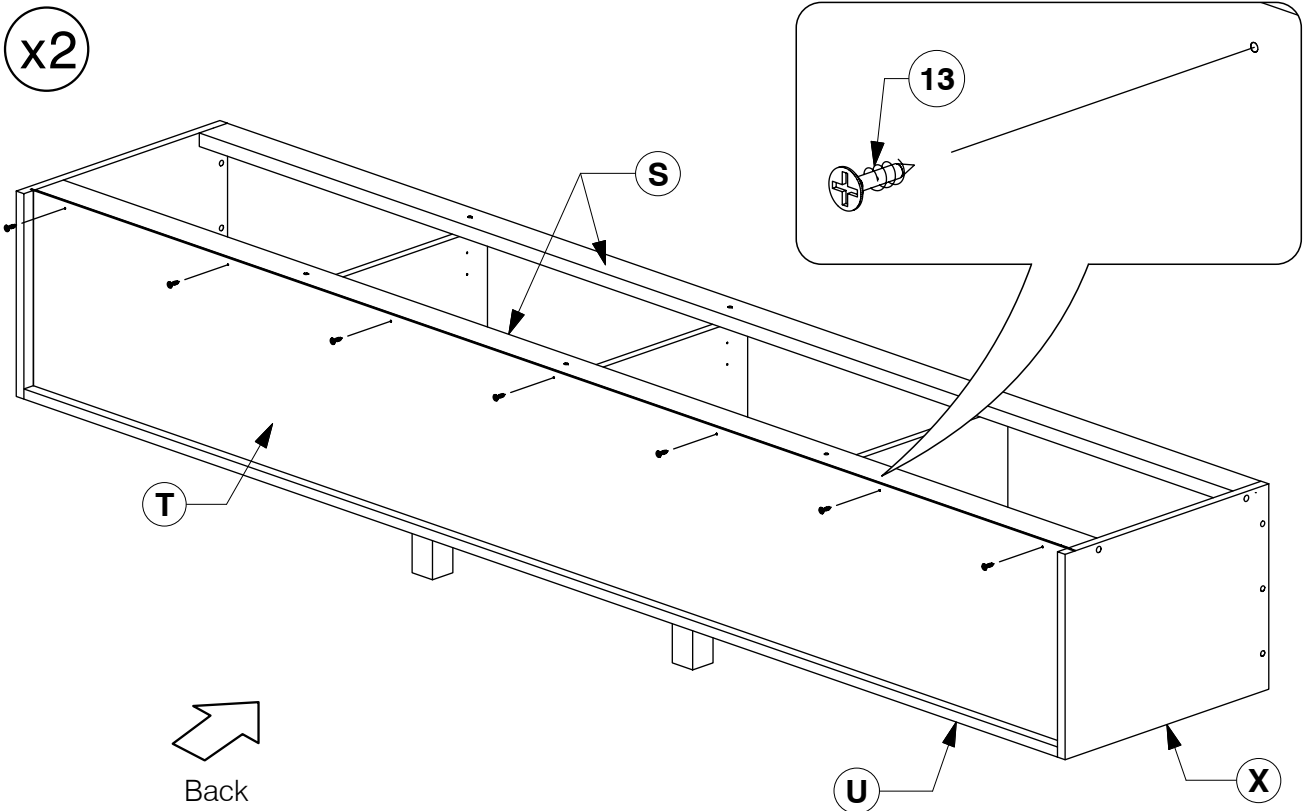
Queen Bed

Assembly Instructions

- 14** Slide the Lower Storage Back Panel (T) into the groove.



- 15** Fit the Lower Storage Back Panel (T) in place.

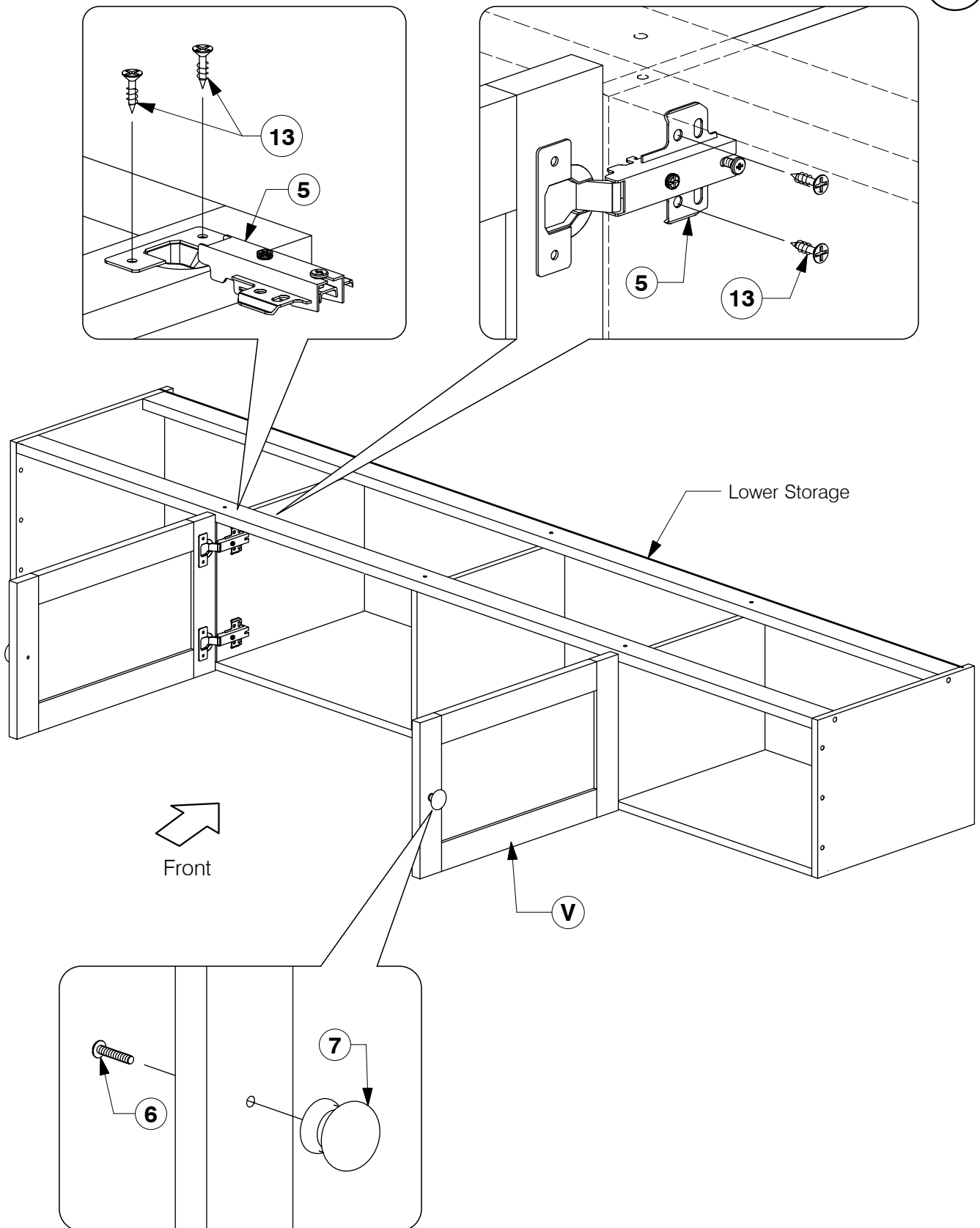


Queen Bed

Assembly Instructions

16 Fit the Lower Storage Door Panel (V).

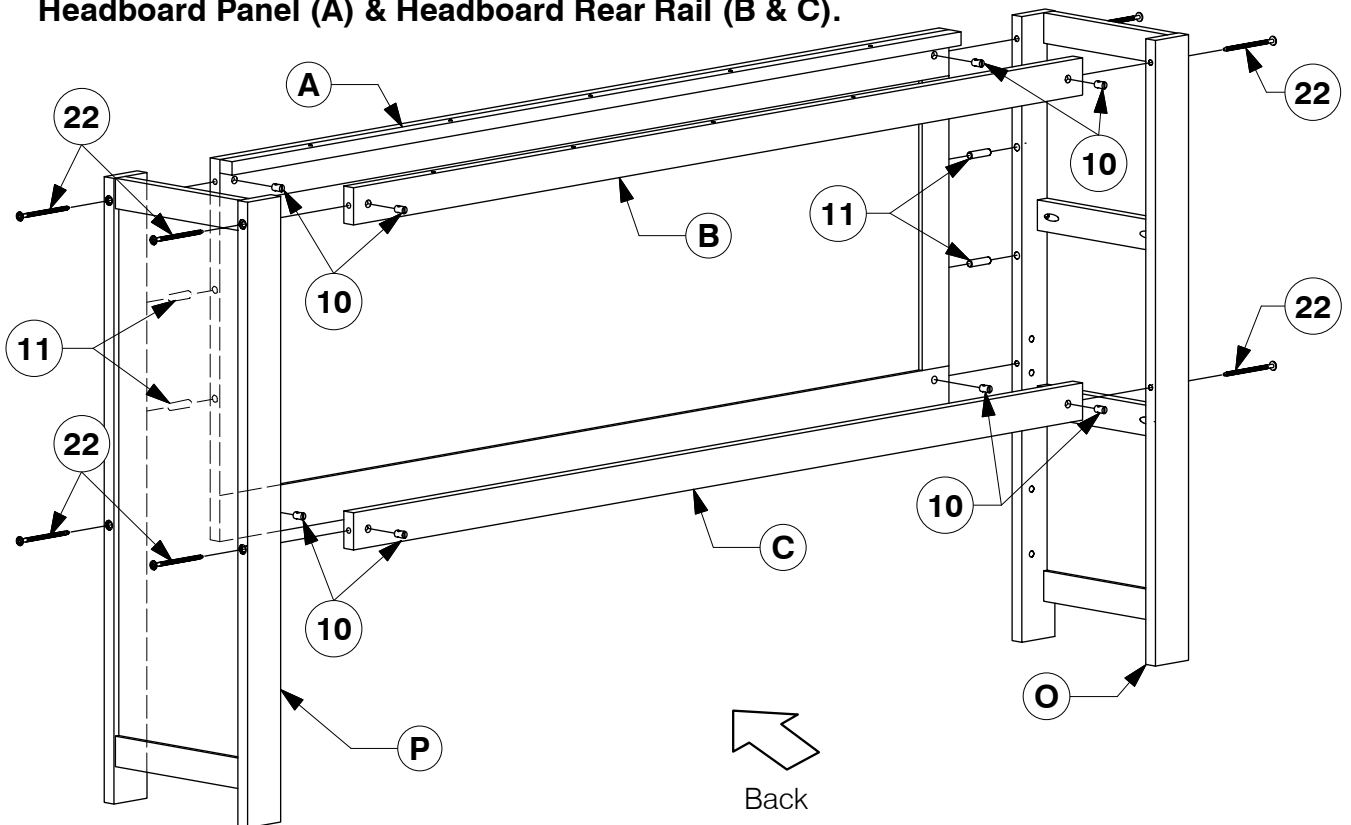
x2



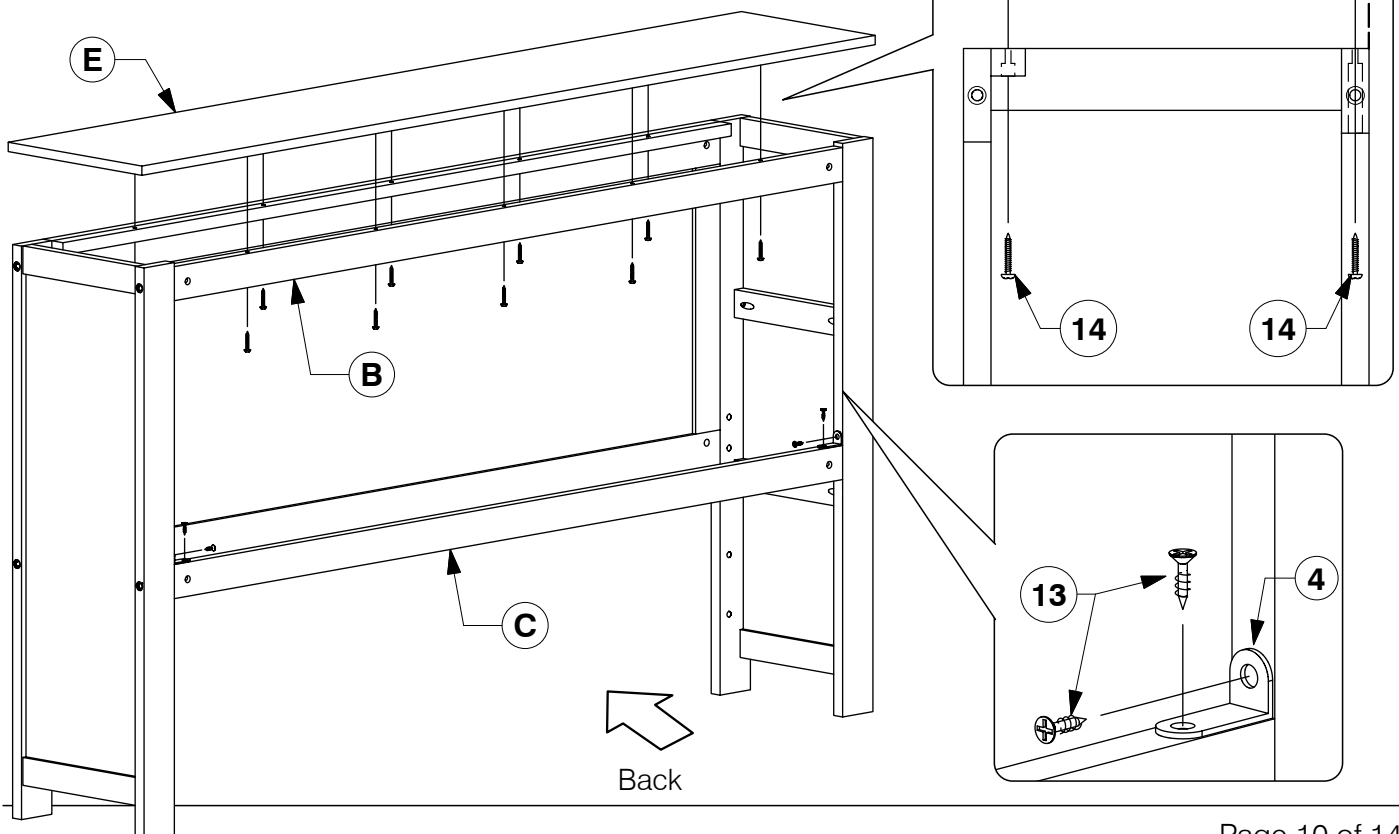
Queen Bed

Assembly Instructions

- 17** Assemble the left & right Headboard Side Panel (O & P) to the Headboard Panel (A) & Headboard Rear Rail (B & C).



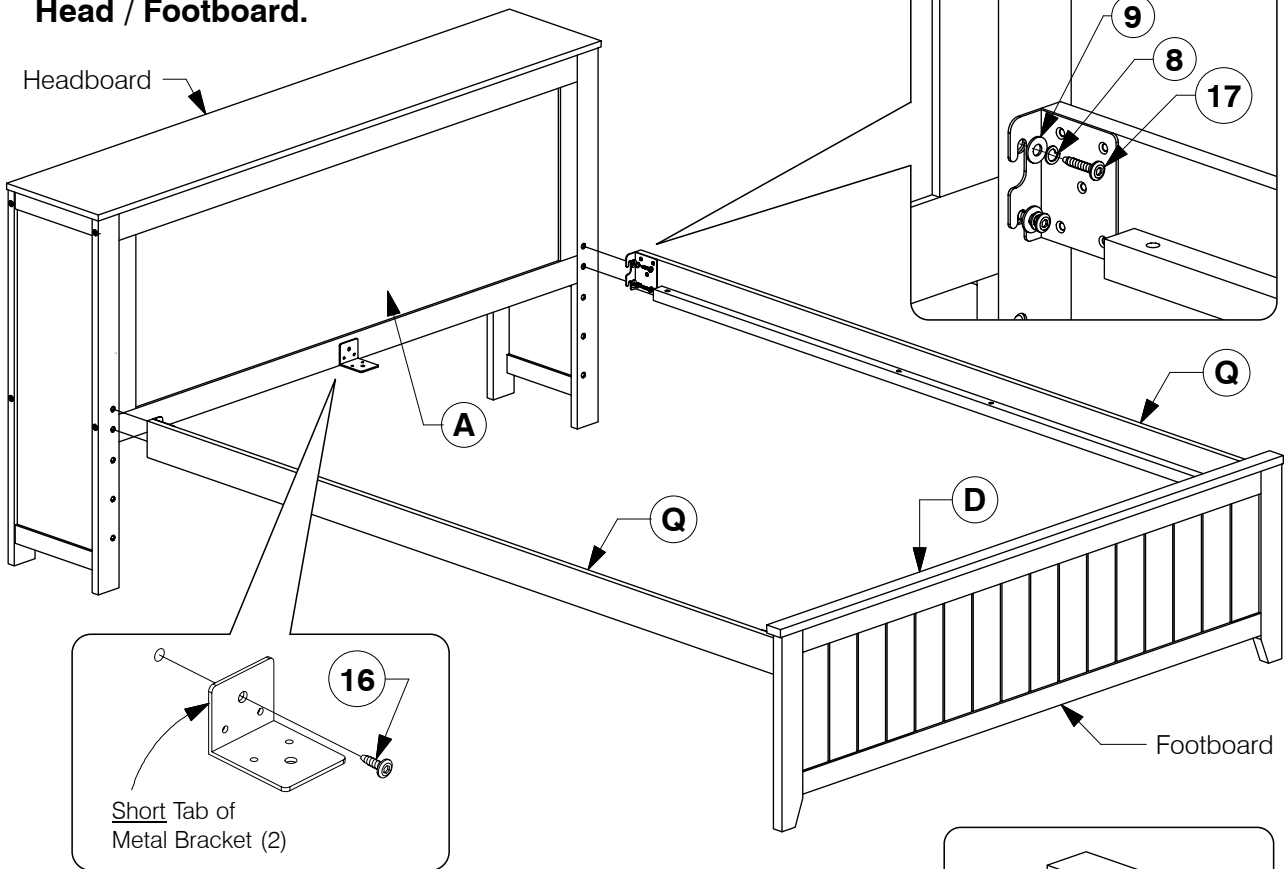
- 18** Fit the Headboard / Upper Storage Top Panel (E). Tighten the Headboard Rear Bottom Rail (C) to Headboard Side Panel (O & P) with Wood Screw & Bracket.



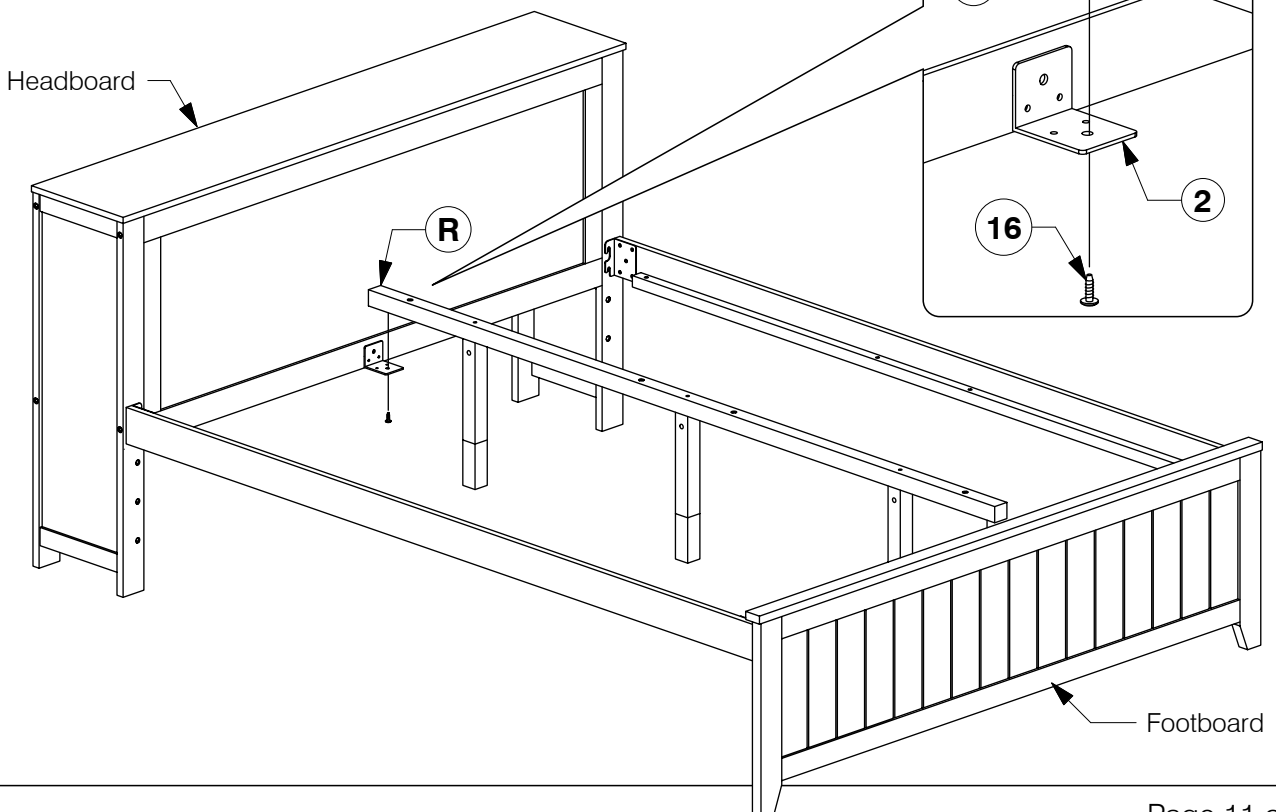
Queen Bed

Assembly Instructions

- 19 Assemble the Side Rail (Q) to the Headboard & Footboard. Fit the Center Rail Bracket to the Head / Footboard.**



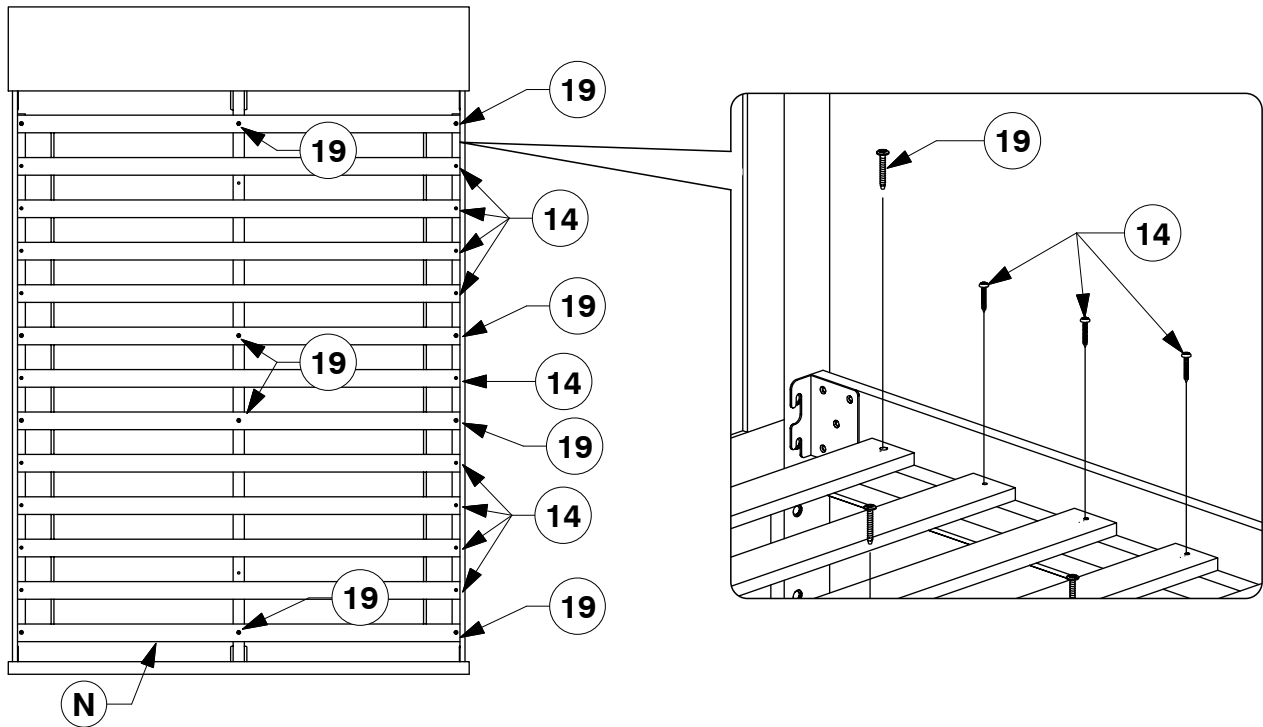
- 20 Bolt the Long Support (R) to the Center Rail Brackets on the Head & Footboard.**



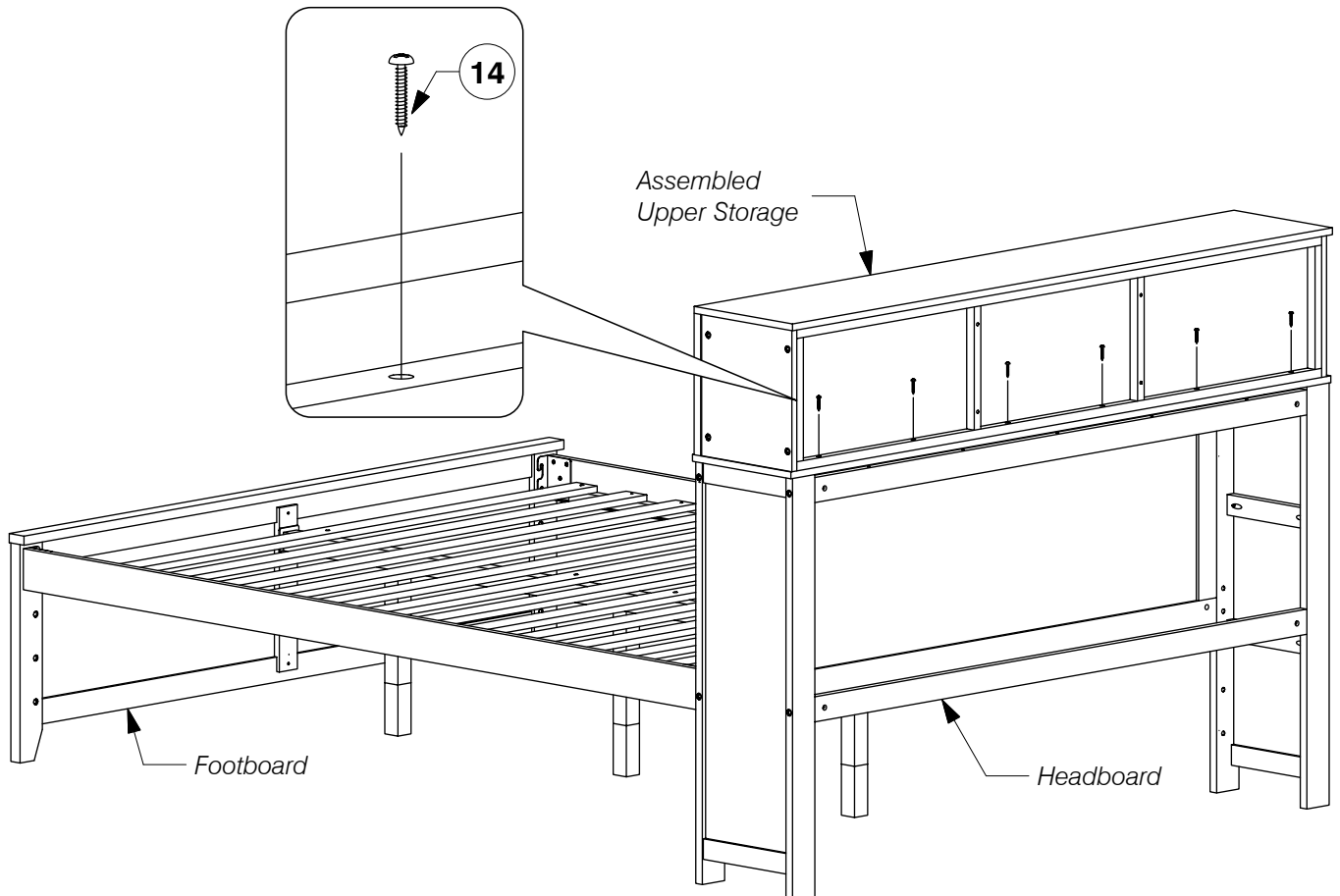
Queen Bed

Assembly Instructions

- 21** Bolt & screw the Bed Slats (N) to the Side Rail.



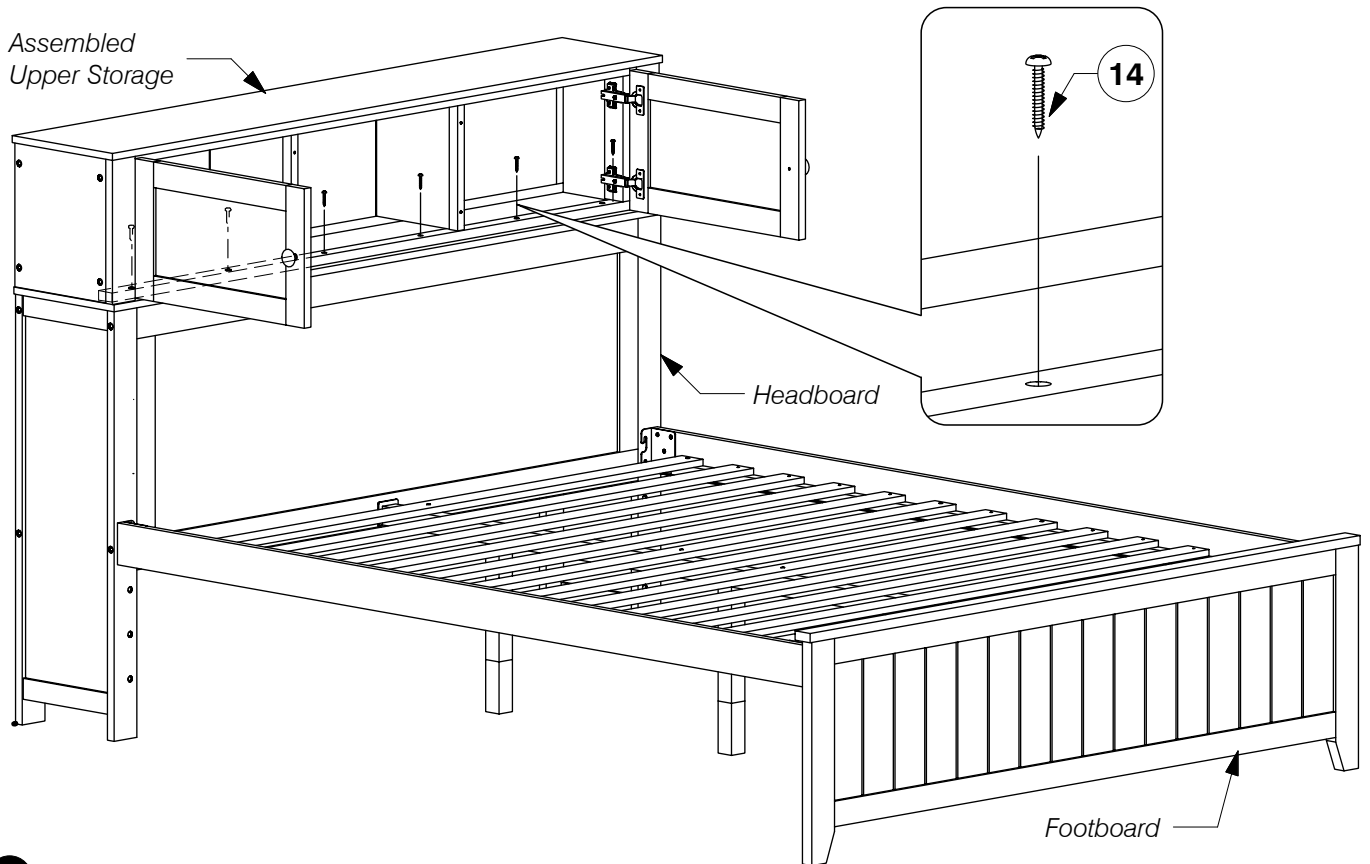
- 22** Fit the Assembled Upper Storage on the top of the Headboard and secure with M4 x 32mm Wood Screws.



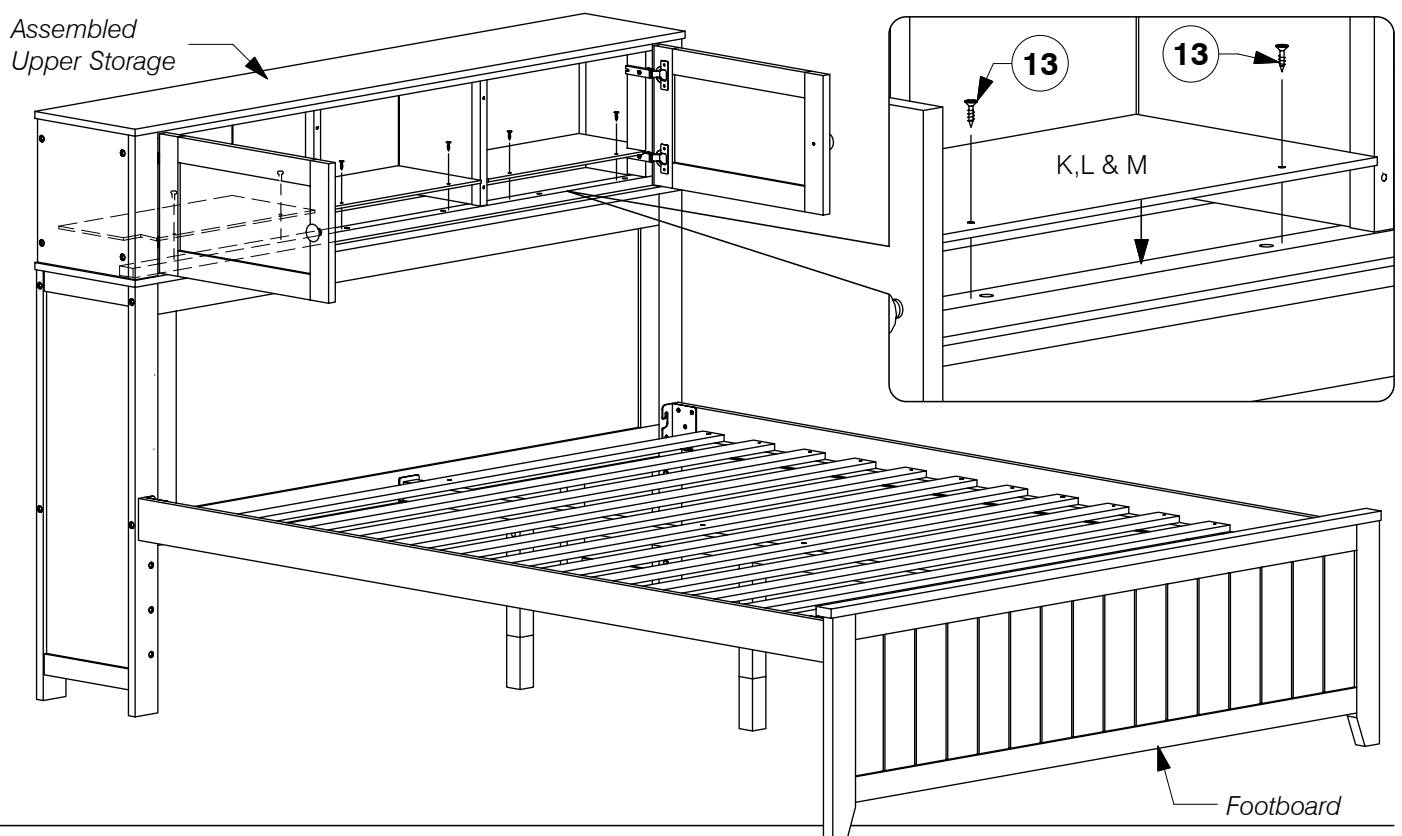
Queen Bed

Assembly Instructions

- 23** Fit the Assembled Upper Storage on the top of the Headboard and secure with M4 x 32mm Wood Screws.



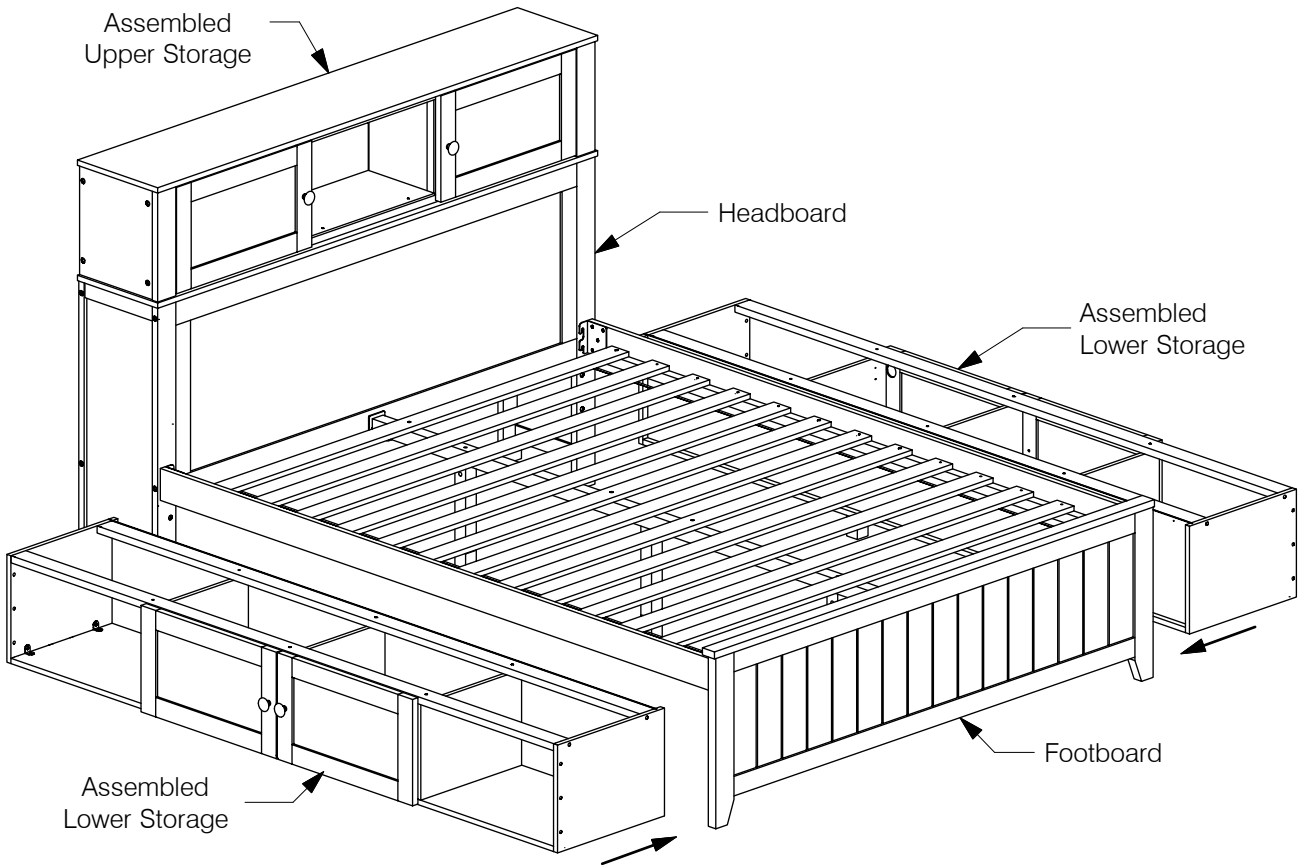
- 24** Fit the Upper Storage Base (K,L & M) to the inside of the storage.



Queen Bed

Assembly Instructions

25 Fit the Assembled Lower Storage under the Bed Frame.



26 Bolt the Assembled Lower Storage to the Bed Frame with M6 x 30mm JCB (18).

