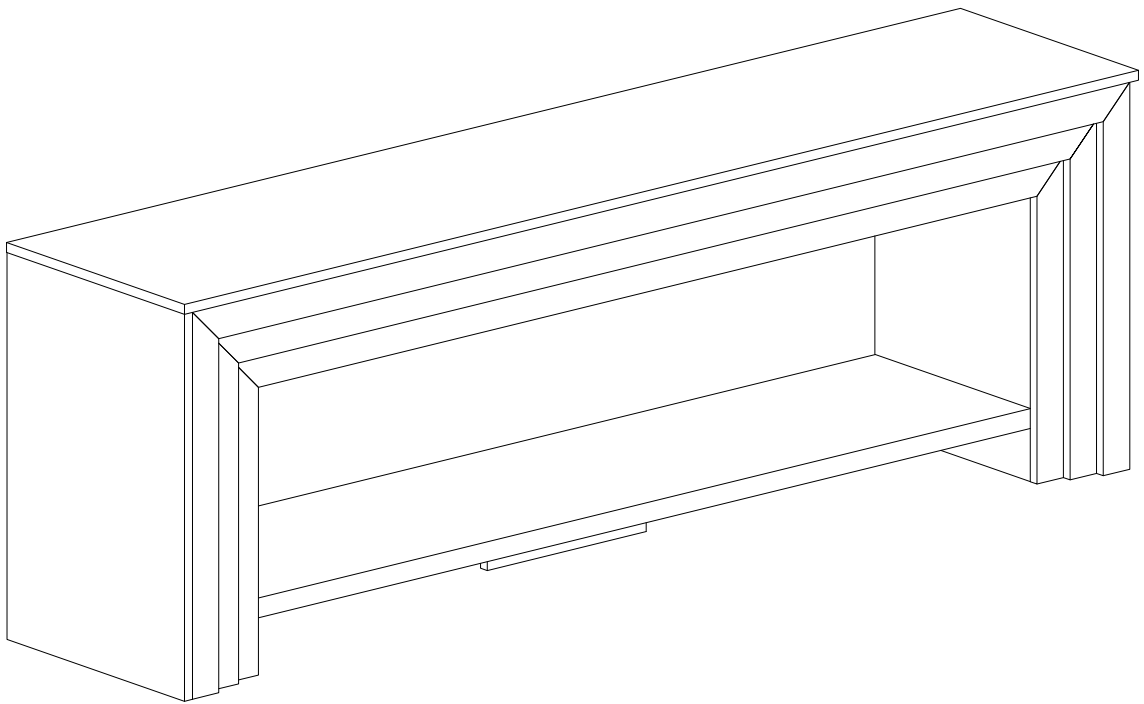


Assembly Instructions

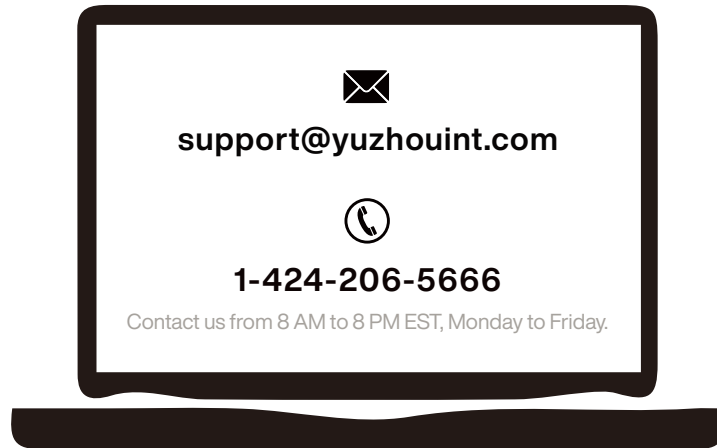


TV Stand

Model No.
HOGA-F2443

Contact Us

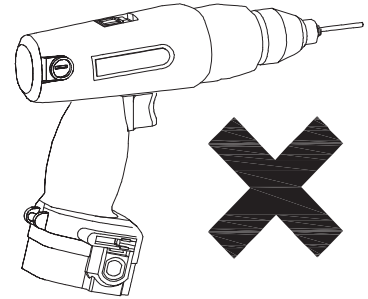
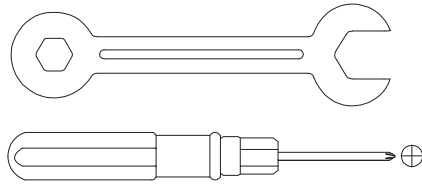
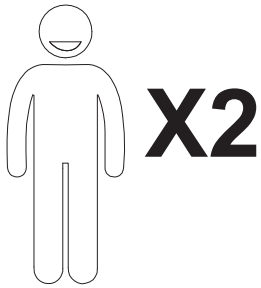
We're here to help you.



Your satisfaction is our top priority. If you encounter any issues with this product, such as missing or damaged parts, we're here to help. Please retain the original packaging and take photos of the packaging and the product, then contact us as soon as possible.

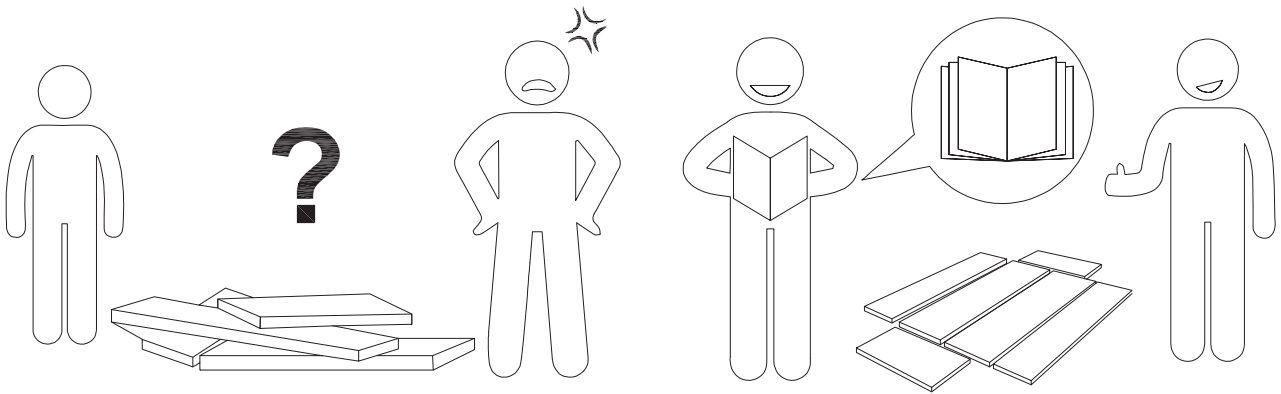
Warm Tips

1. Carefully read these instructions and keep them for future reference.
2. Check the parts list and confirm everything's there before starting assembly.
3. When assembling, put all parts on a soft, smooth surface like a carpet to avoid scratches.
4. Don't fully tighten screws until all parts are confirmed in place to avoid misalignment.



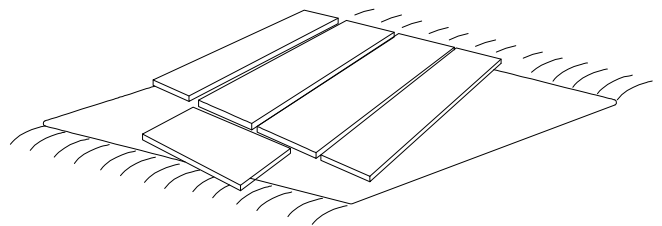
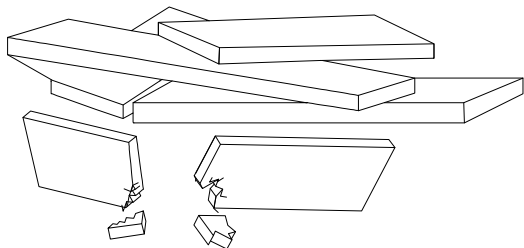
We recommend using hand tools for assembly.

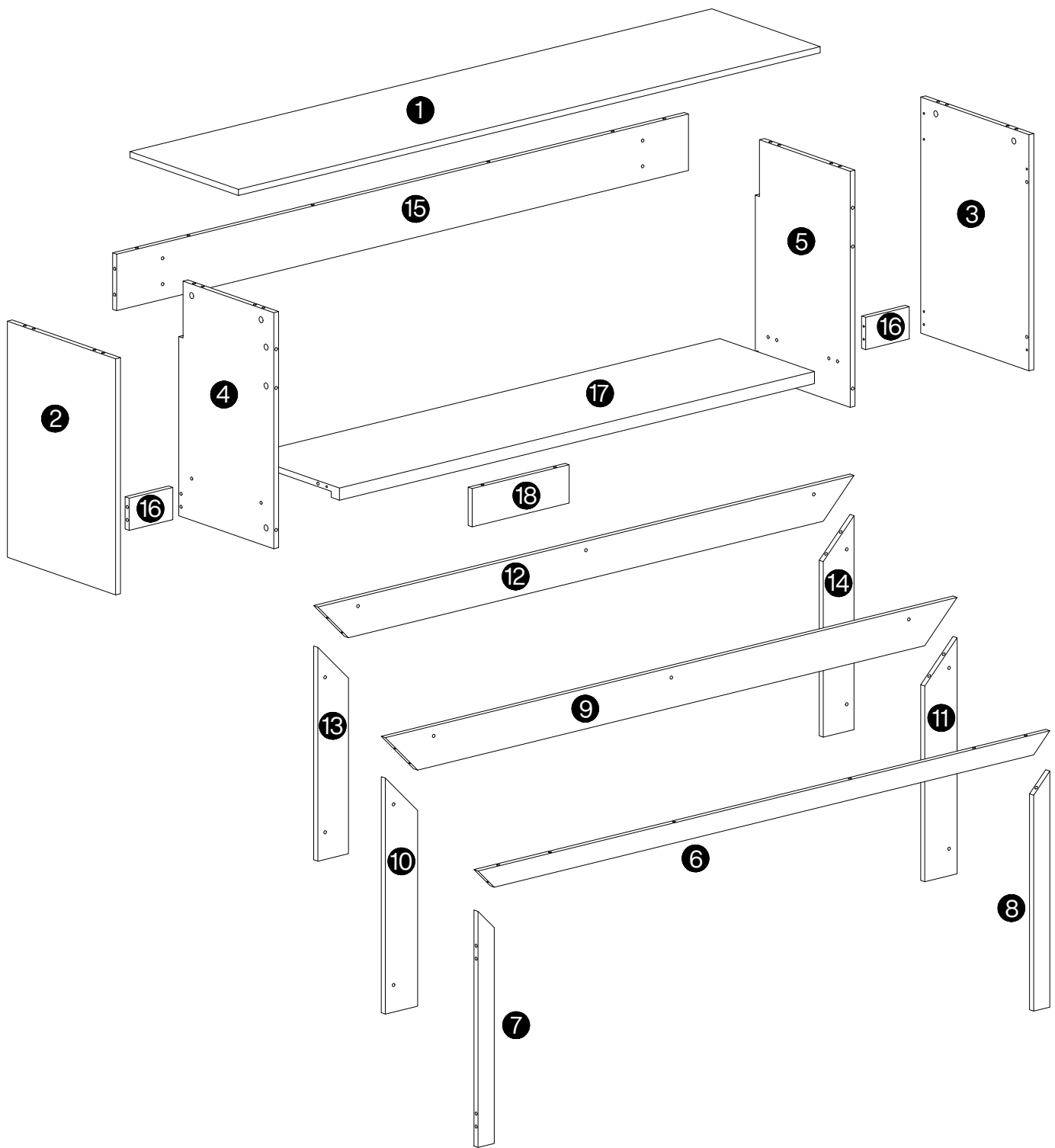
If an electric screwdriver is used, reduce power and torque to avoid damage to the product.



AVOID SCRATCHES

In order to avoid scratching, this furniture should be assembled on a soft surface, such as a rug.

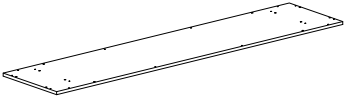
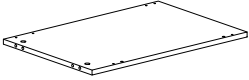
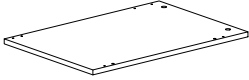
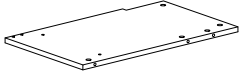
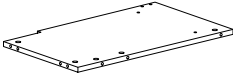
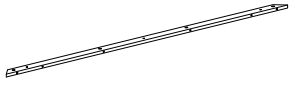
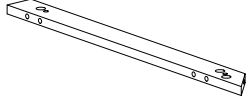
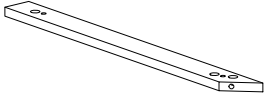

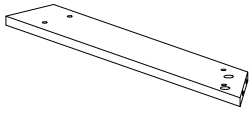
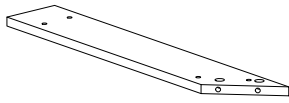

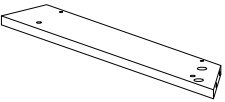
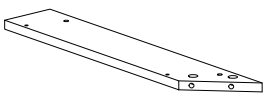
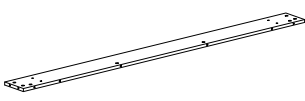
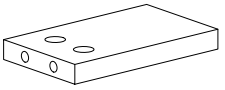
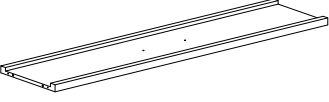
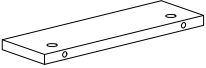




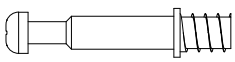
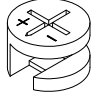

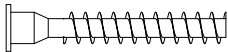

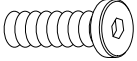
⚠ Caution

Make sure all parts are included. Most board parts are labeled or stamped on the raw edge. Contact us for a free replacement if you encounter any damaged or missing parts.

Parts List

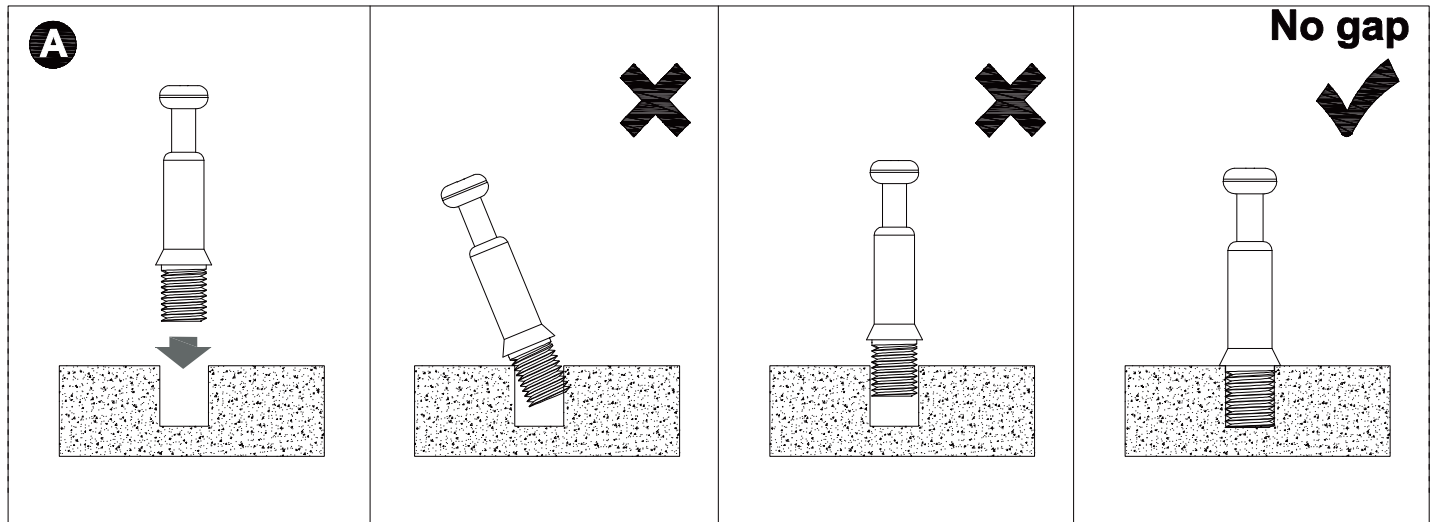
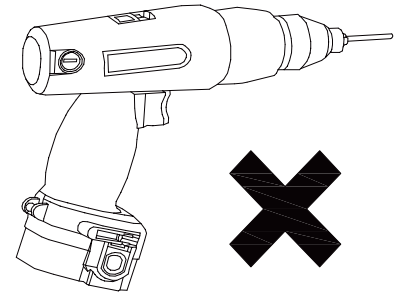
1  1pc	2  1pc	3  1pc	4  1pc
5  1pc	6  1pc	7  1pc	8  1pc
9  1pc	10  1pc	11  1pc	12  1pc
13  1pc	14  1pc	15  1pc	16  2 pcs
17  1pc	18  1pc		

Hardware List

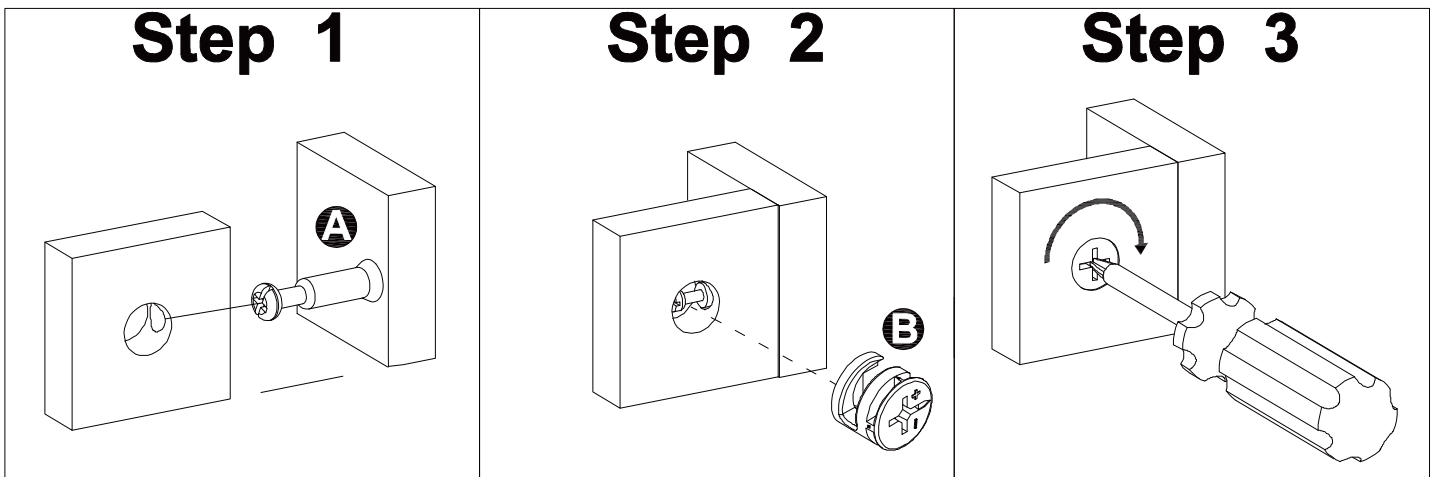
A	B	C	D	E
 <p data-bbox="132 611 331 651">Ø6X35 mm</p>	 <p data-bbox="416 611 619 651">Ø15X12 mm</p>	 <p data-bbox="703 611 906 651">Ø8X30 mm</p>	 <p data-bbox="975 611 1177 651">Ø7X37 mm</p>	 <p data-bbox="1262 611 1465 651">N4X64 mm</p>
46+1 pcs	46+1 pcs	20+1 pcs	12+1 pcs	1 pc
F				
 <p data-bbox="119 969 320 1010">M6X25 mm</p>				
14+1 pcs				

Installation of Cams and Pins

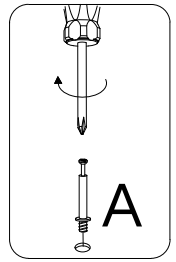
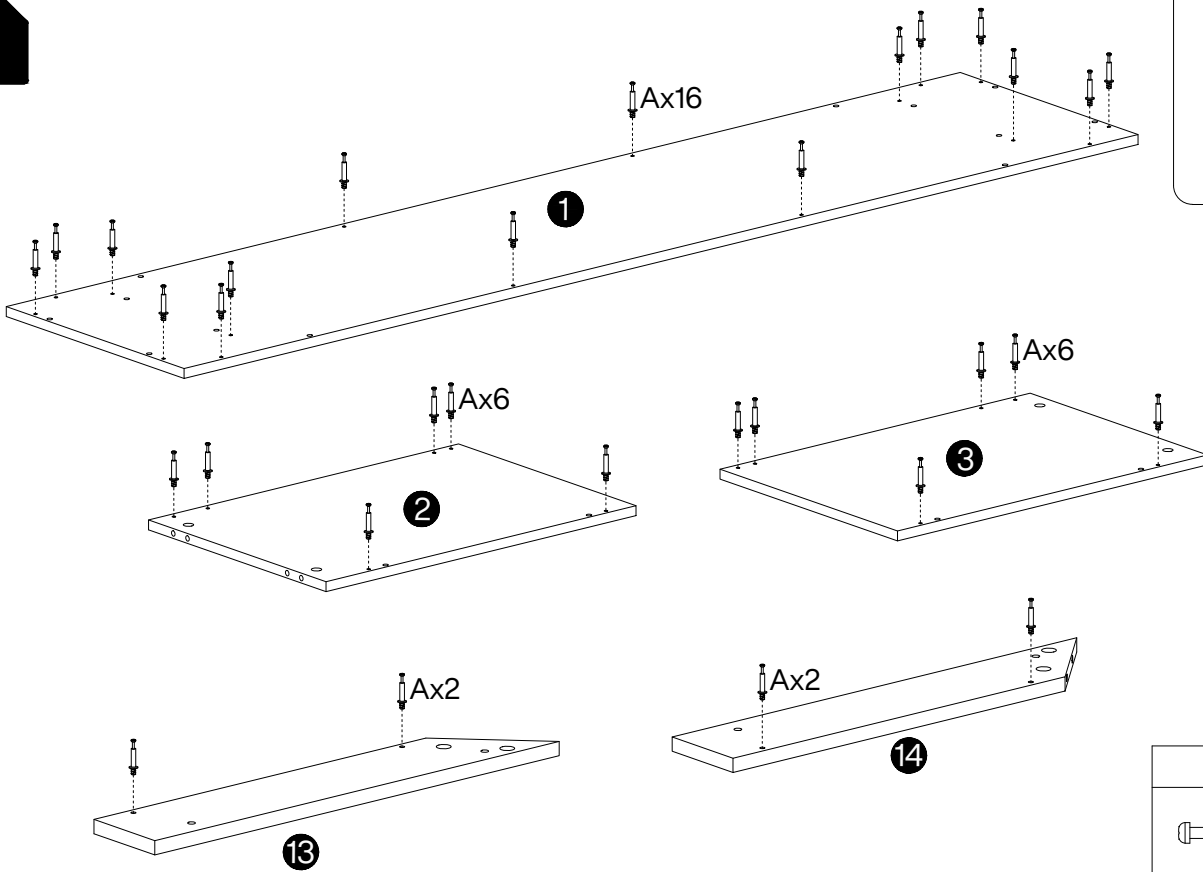
Read each step carefully before starting. Each step of instruction should be performed in the correct order. If these steps are not followed in sequence, assembly difficulties may occur.

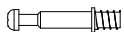


Screw the pin into the hole. Set the cams correctly by aligning the head of the cams with the lock pins. Lock the cam by turning the cam head with a screwdriver until it is tightened. Please do not use an electric screwdriver to assemble the unit.

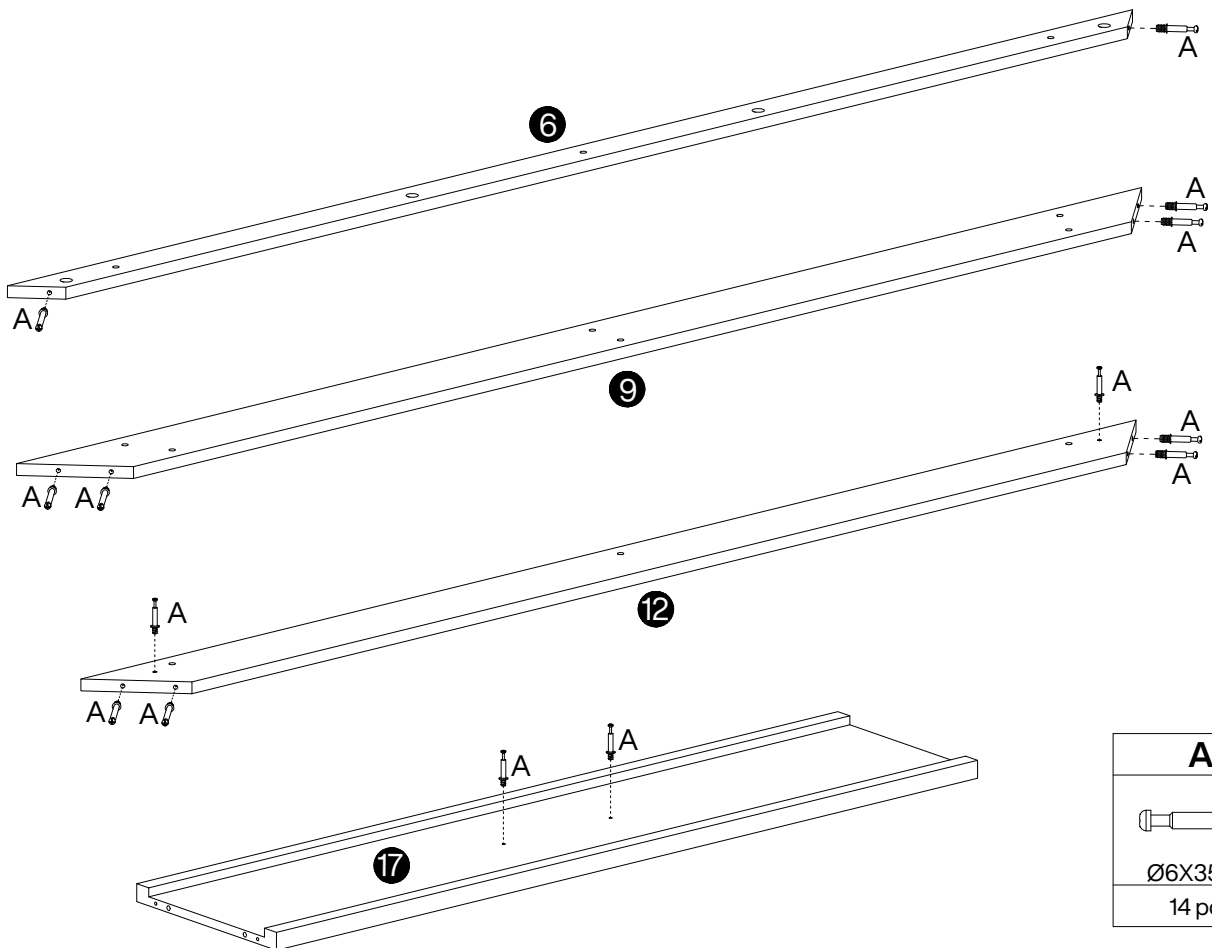


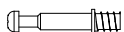
1



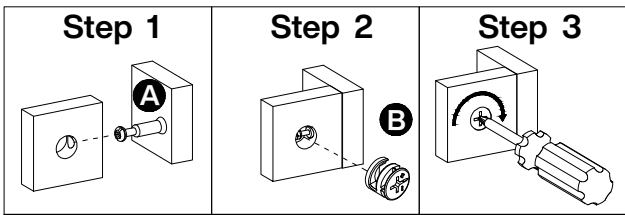
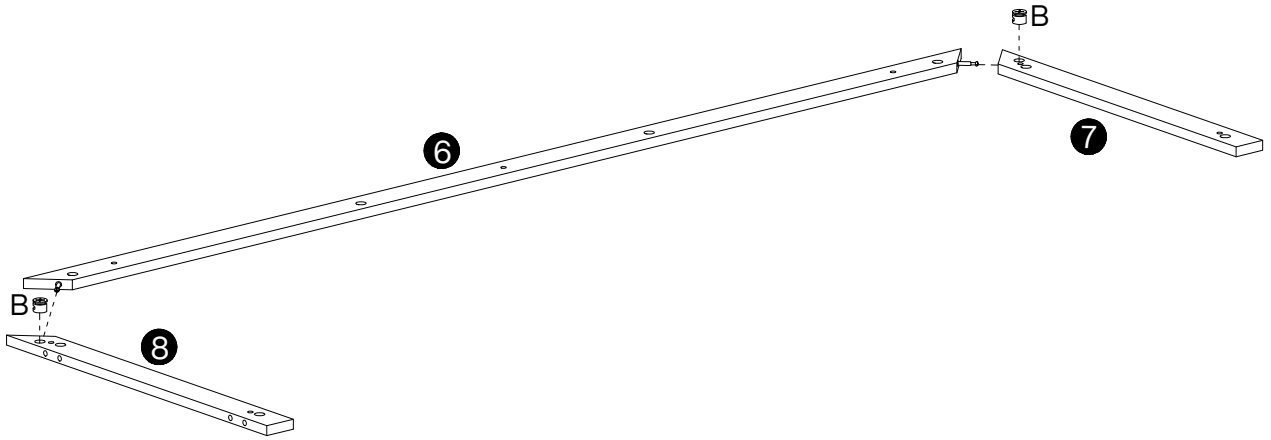
A

Ø6X35 mm
32 pcs


2



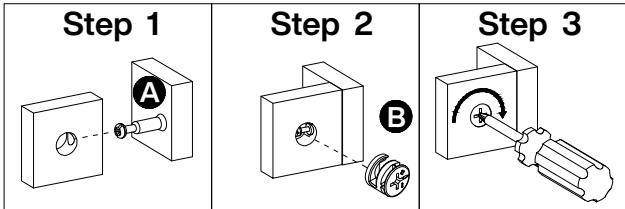
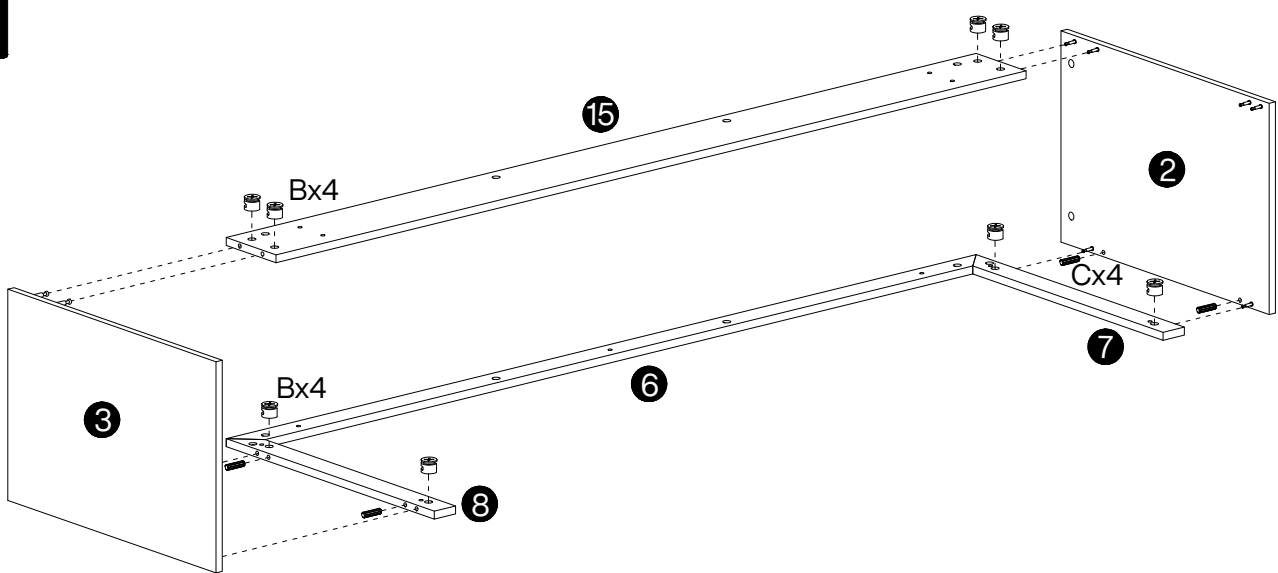
A

Ø6X35 mm
14 pcs


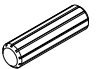
3



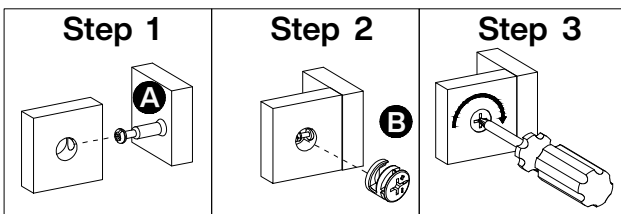
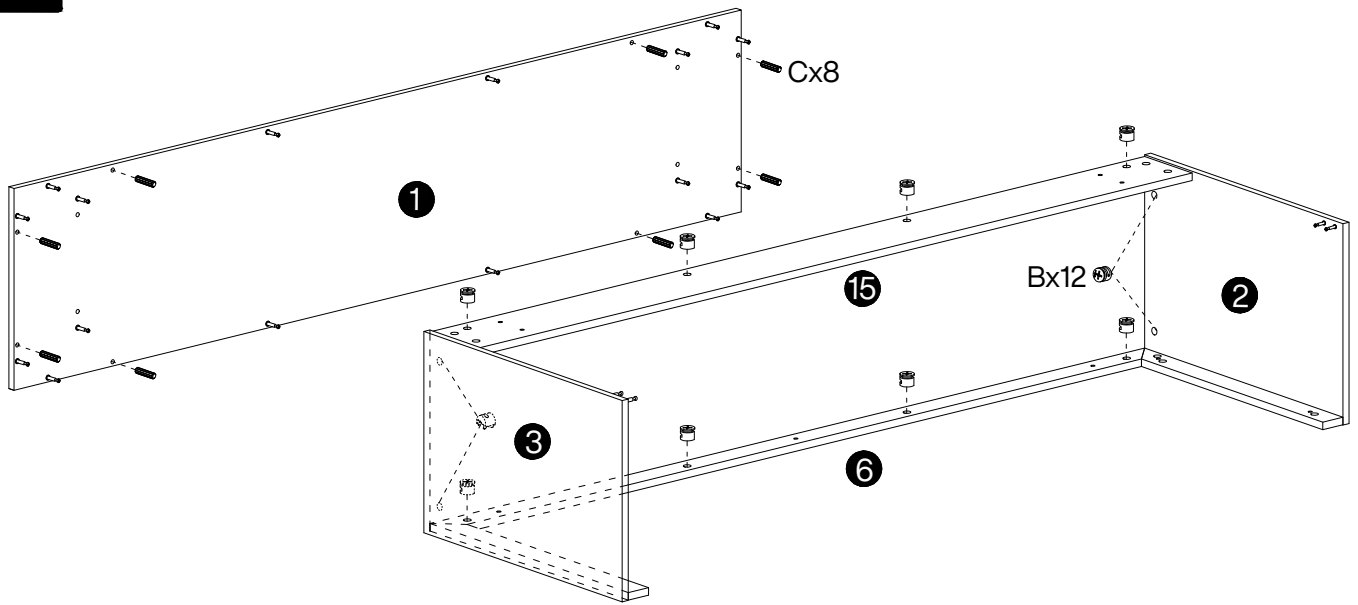
B

Ø15X12 mm
2 pcs


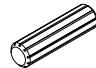
4



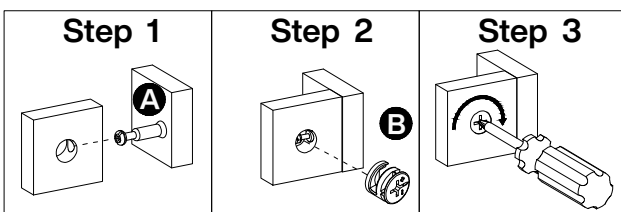
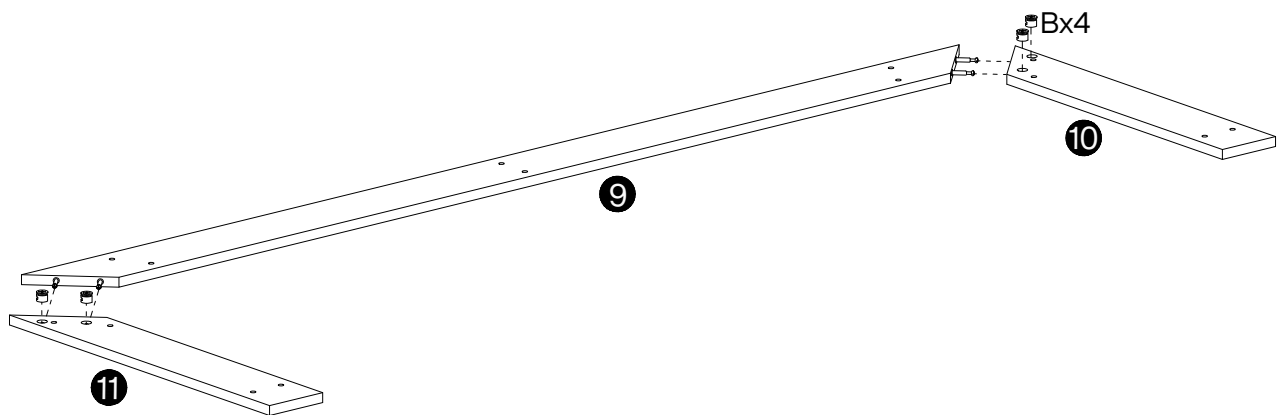
B	C
	
Ø15X12 mm	Ø8X30 mm
8 pcs	4 pcs


5



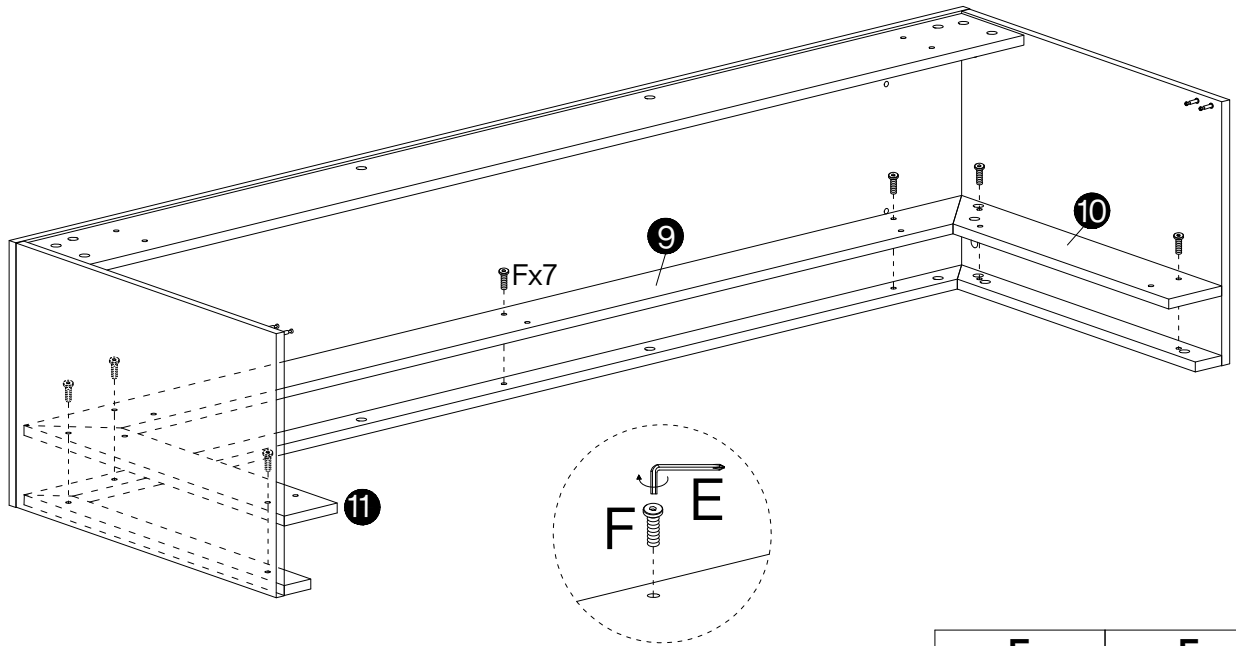
B	C
	
Ø15X12 mm	Ø8X30 mm
12 pcs	8 pcs


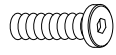
6



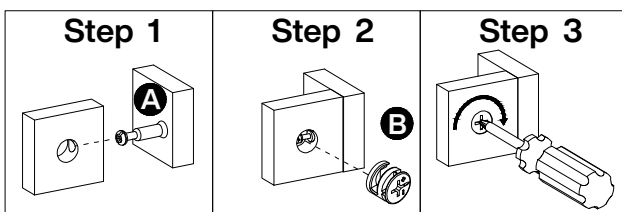
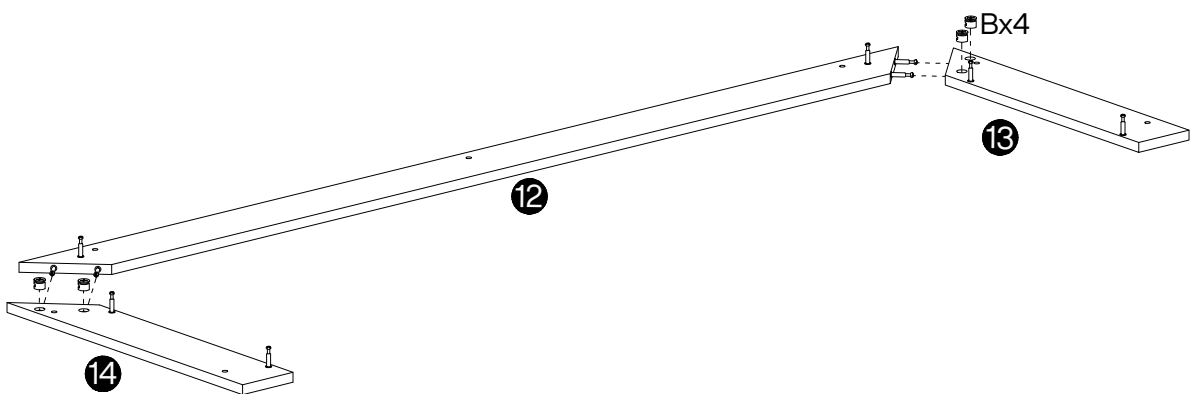
B

Ø15X12 mm
4 pcs


7



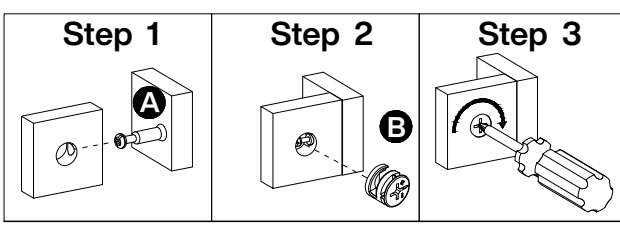
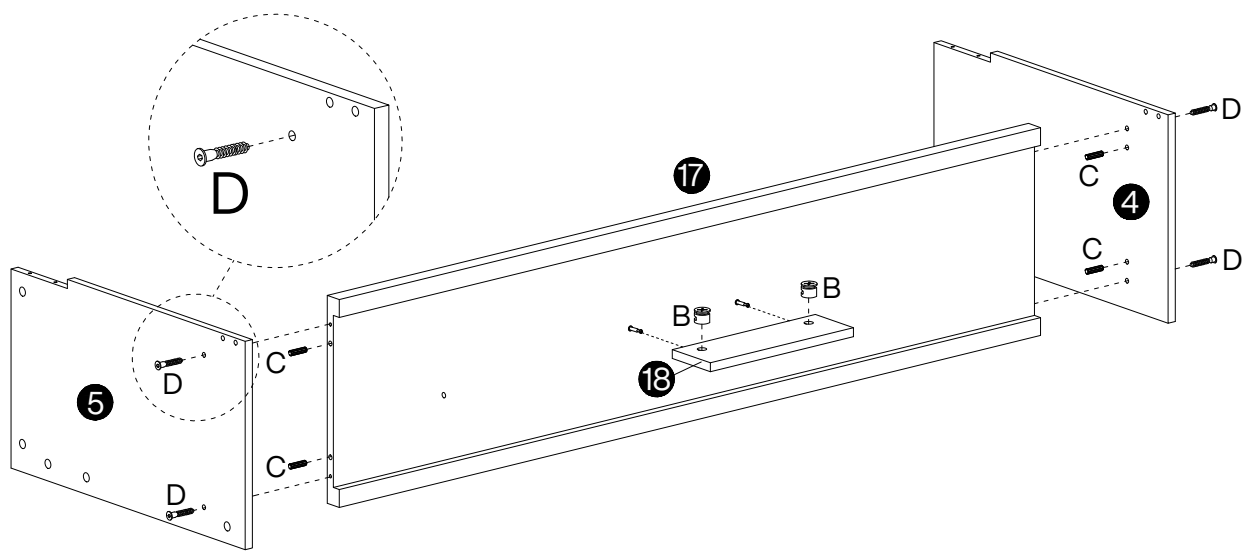
E	F
	
M4X64 mm	M6X25 mm
1 pc	7 pcs

8



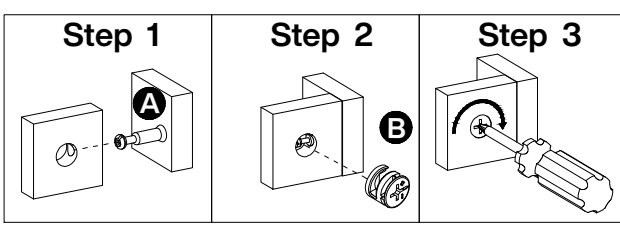
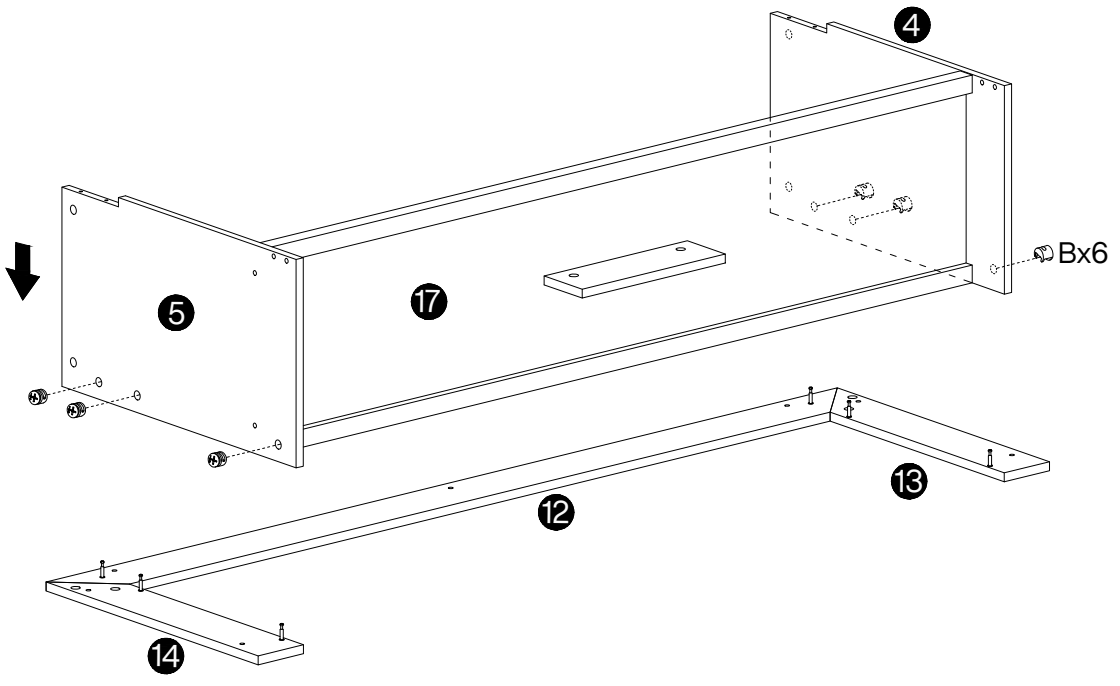
B

Ø15X12 mm
4 pcs

9



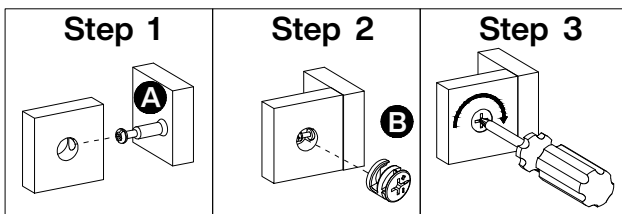
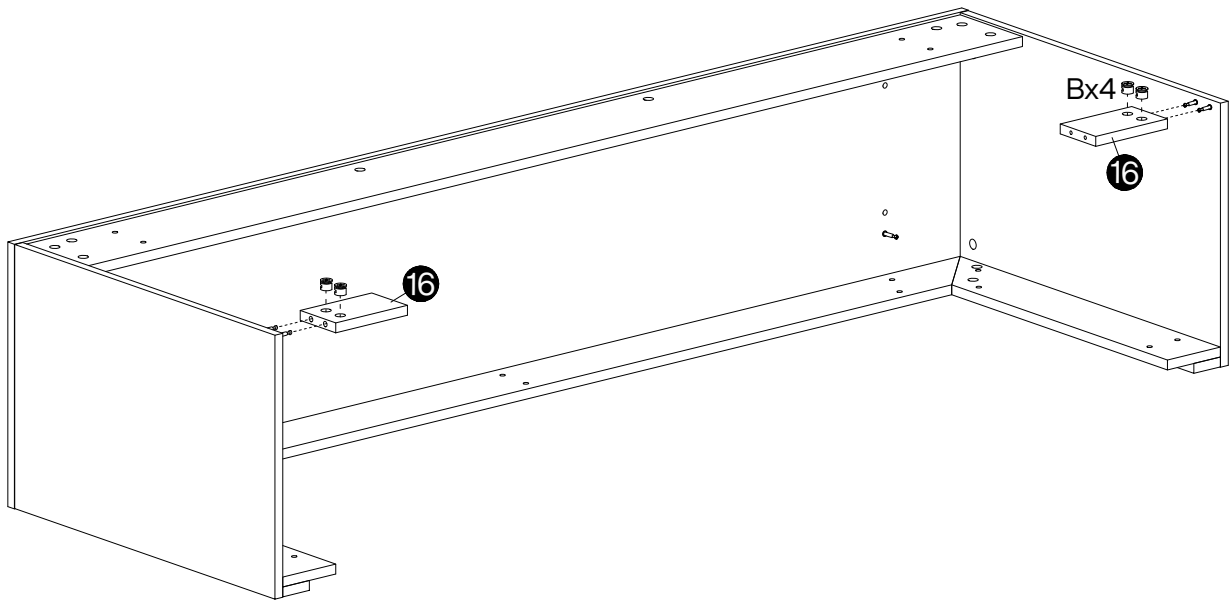
B	C	D
Ø15X12 mm	Ø8X30 mm	Ø7X37 mm
2 pcs	4 pcs	4 pcs


10



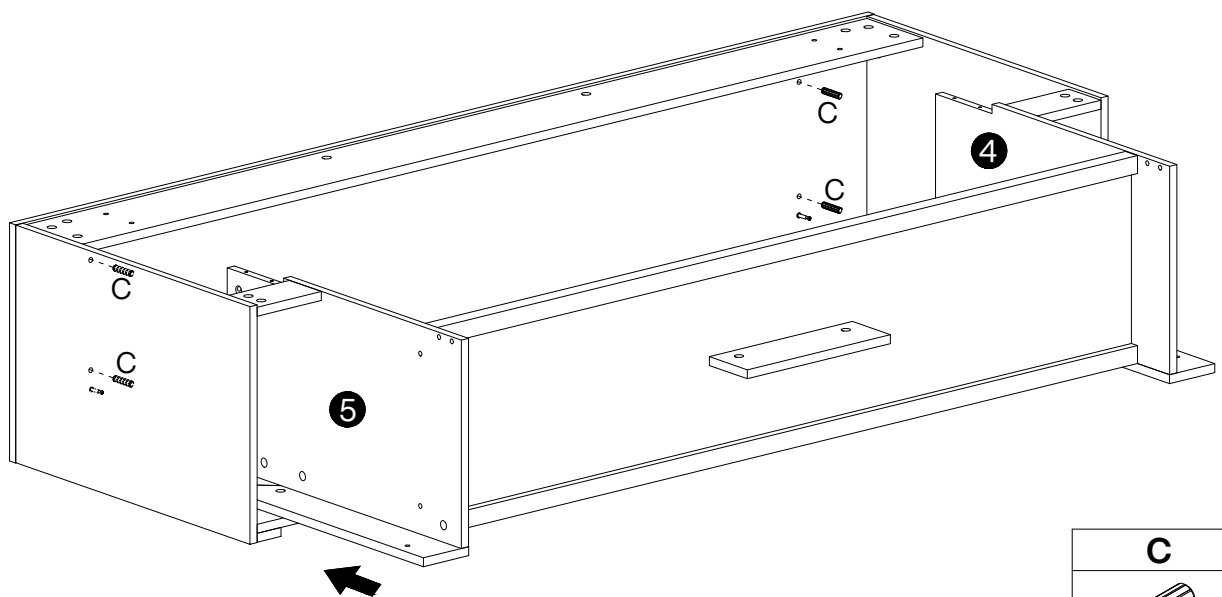
B
Ø15X12 mm
6 pcs

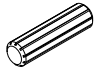
11



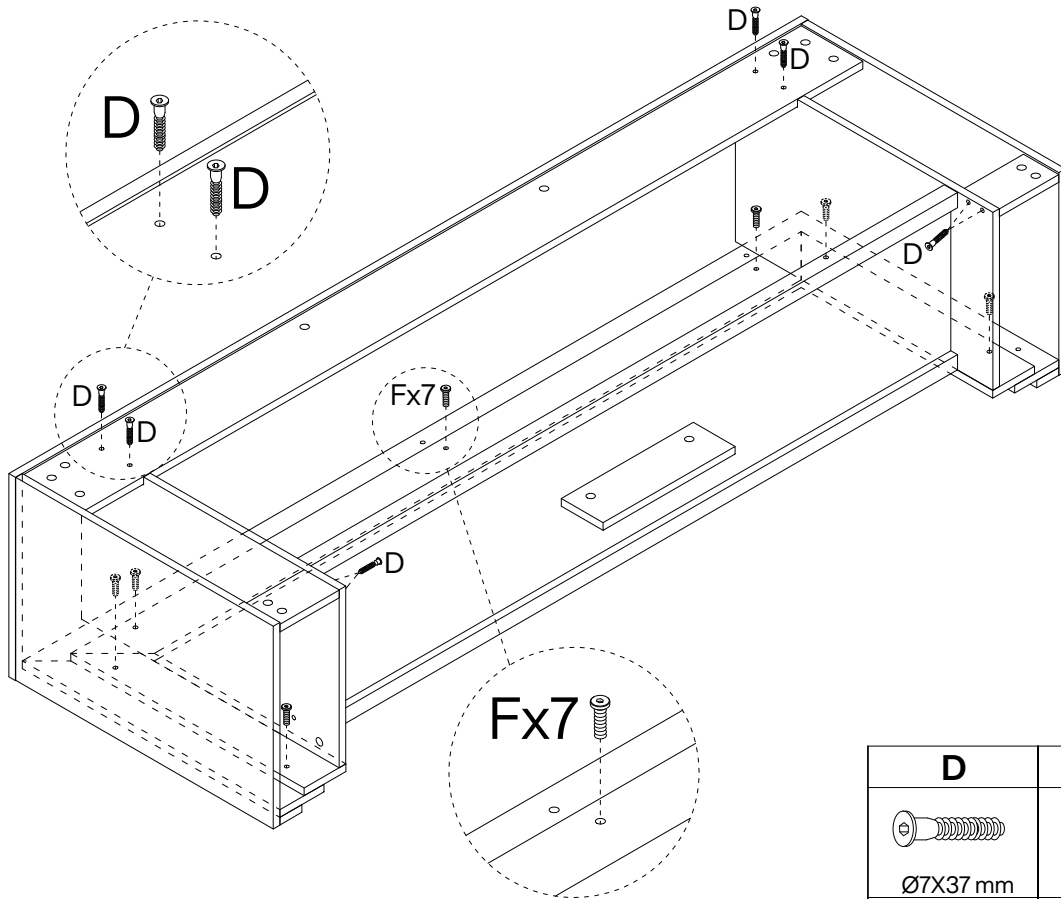
B

Ø15X12 mm
4 pcs

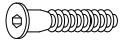
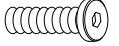
12



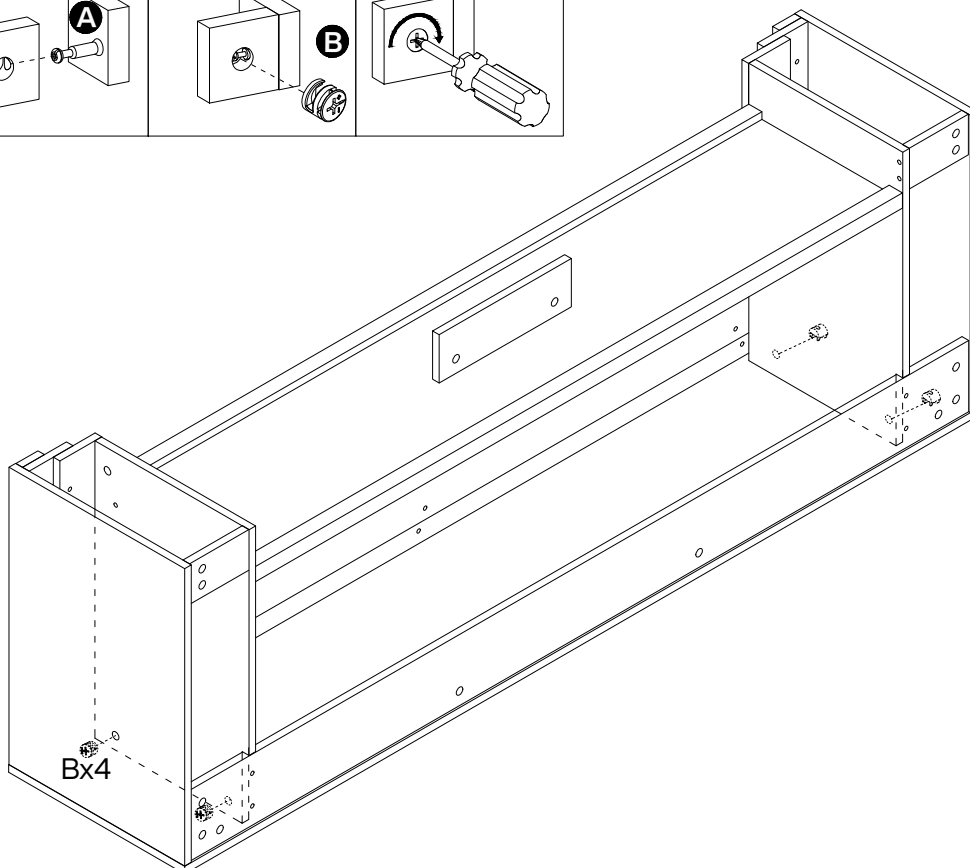
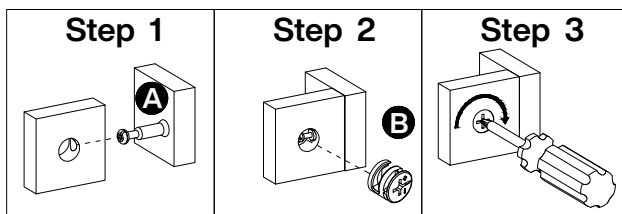
C

Ø8X30 mm
4 pcs


13



D	F
	
Ø7X37 mm	M6X25 mm
8 pcs	7 pcs

14



B

Ø15X12 mm
4 pcs

Thank you for your support!

