

ASSEMBLY INSTRUCTIONS

ITEM NO:FX-3806-4

IMPORTANT SAFETY INSTRUCTIONS:

These instructions are provided for your safety. It is very important that they are read completely before beginning the installation of your fixture.

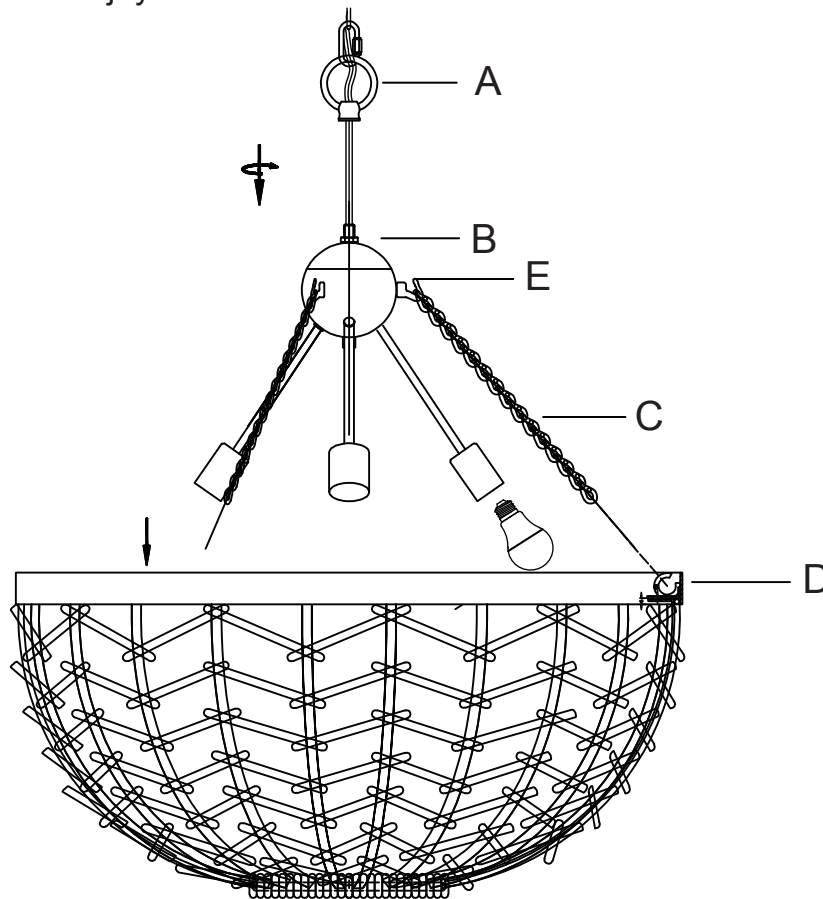
DIRECT WIRE FIXTURES:WE STRONGLY RECOMMEND INSTALLATION BY A LICENSED ELECTRICIAN.

TO ASSEMBLE:

Shut off the main electrical supply at fuse box/circuit breaker.

Remove all parts from carton. Do not throw away any parts as shown.

1. Screw the fixture loop (A) clockwise into the centerpiece (B) to tighten.
2. Pick up the chain (C) and hang it on the hook (E) and (D).
3. Referring to the installation instruction with the product for the wiring and installation.
4. Install proper bulbs (not provided) to the sockets referring to the marking and/or labels on the fixture for maximum wattage .
5. Turn on the power and enjoy!



USE MAX 60Wx4 TYPE A BULB (NOT INCLUDED)

To clean, wipe the fixture with a soft, dry cloth. Avoid the use of harsh or abrasive chemicals as they may damage the finish .

SAVE THESE INSTRUCTIONS FOR FUTURE REFERENCE.