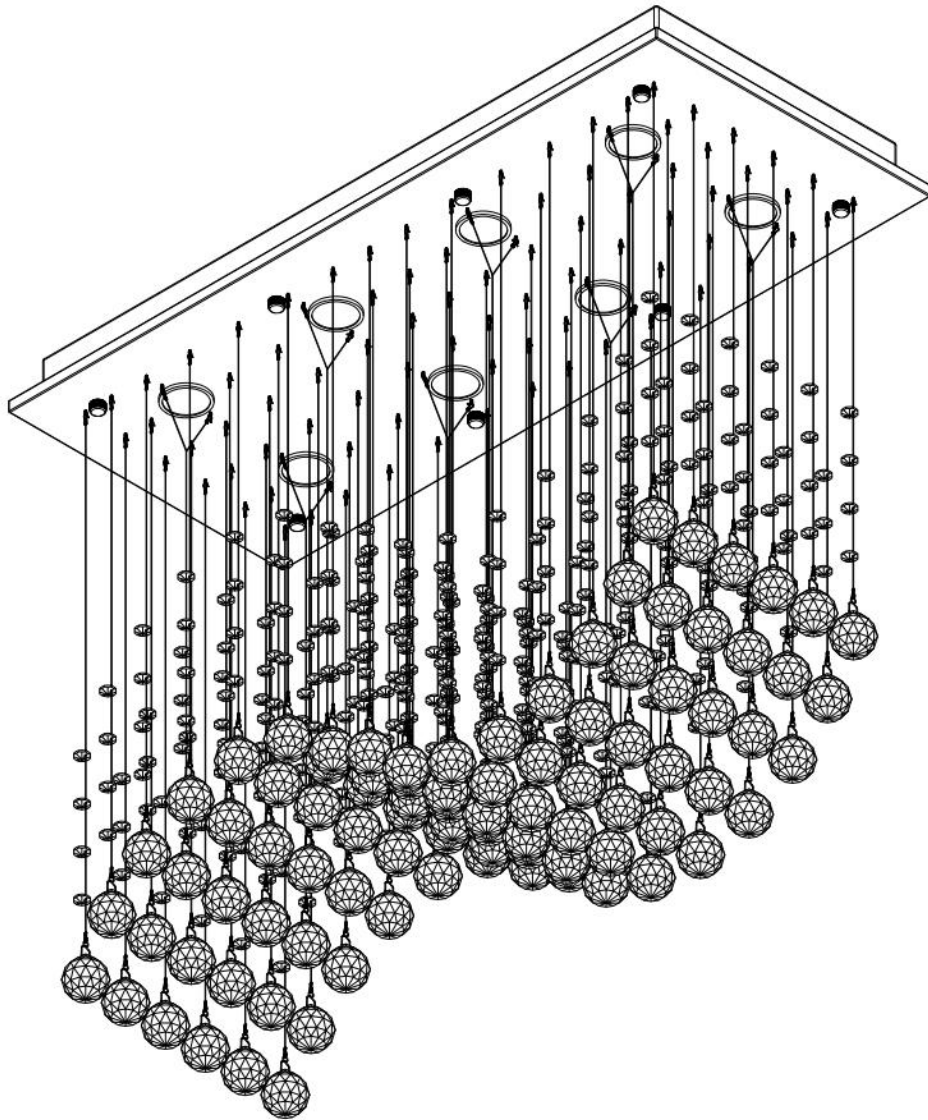


INSTRUCTION MANUAL

IMPORTANT: READ CAREFULLY AND KEEP.



8×GU10 Socket

Max.50W Bulbs

(not included)

Just Scan the Below Code
for Installation Video



Installation Video

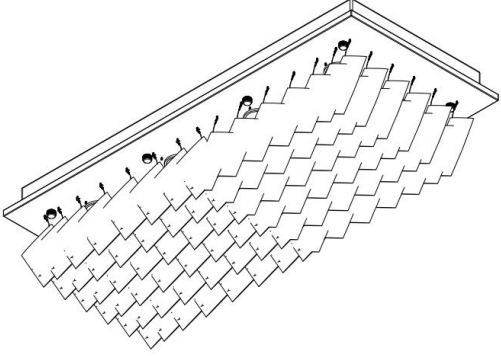


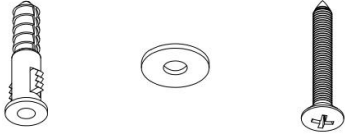

340N

Made in China

Residential use only

Indoor use only

PARTS LIST

Item	Drawing	Description	Quantity
A		Lamp body	× 1
B		Crystal ball	× 90
C		Wire Connector	× 3
D		Rubber plug screw & Washer & Screw	× 8
E		Gloves	x 1 PAIR

WHAT TOOL YOU WILL NEED...



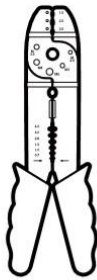
Safety goggles



Phillips screwdriver



Flathead screwdriver



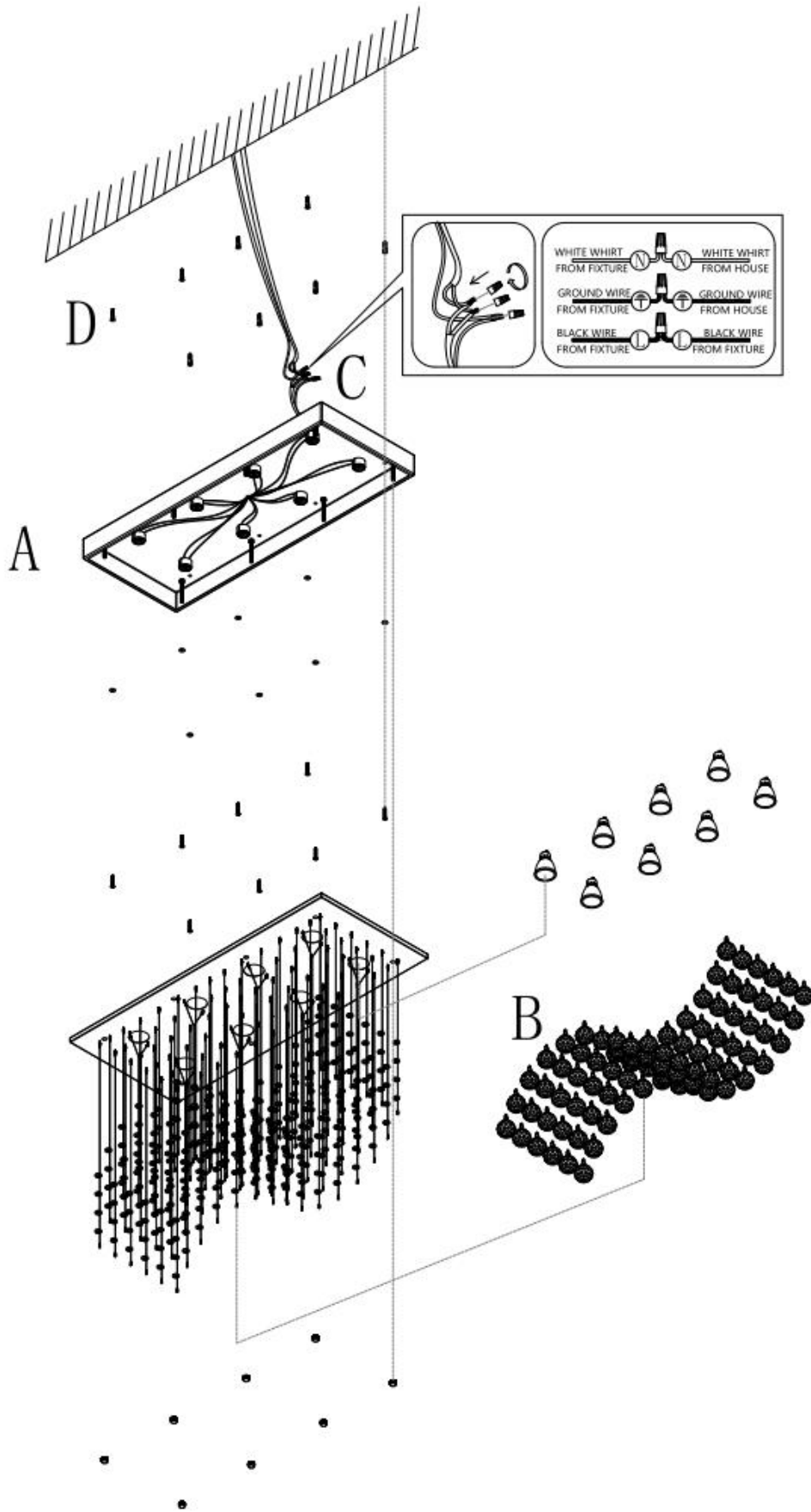
Wire strippers



Wire cutters



Ladder



IMPORTANT

This warranty applies only to the original consumer purchaser and only to products used in normal use and service. If this product is found to be defective, the manufacturer's only obligation, and your exclusive remedy, is the repair or replacement of the product at the manufacturer's discretion, provided that the product has not been damaged through misuse, abuse, accident, modifications, alterations, neglect, or mishandling.


This warranty shall not apply to any product that is found to have been improperly installed, set-up, or used in any way not in accordance with the instructions supplied with the product.

This warranty shall not apply to a failure of the product as a result of an accident, misuse, abuse, negligence, alteration, faulty installation, or any other failure not relating to faulty material or workmanship.

The manufacturer does not warrant and specifically disclaims any warranty, whether express or implied, of fitness for a particular purpose, other than the warranty contained herein. The manufacturer specifically disclaims any liability and shall not be liable for any consequential or incidental loss or damage, including but not limited to any labor / expense costs involved in the replacement or repair of said product.

Switch off the main electrical supply from the fuse box/circuit breaker before installing the unit or doing any maintenance.

Do not use outdoor.

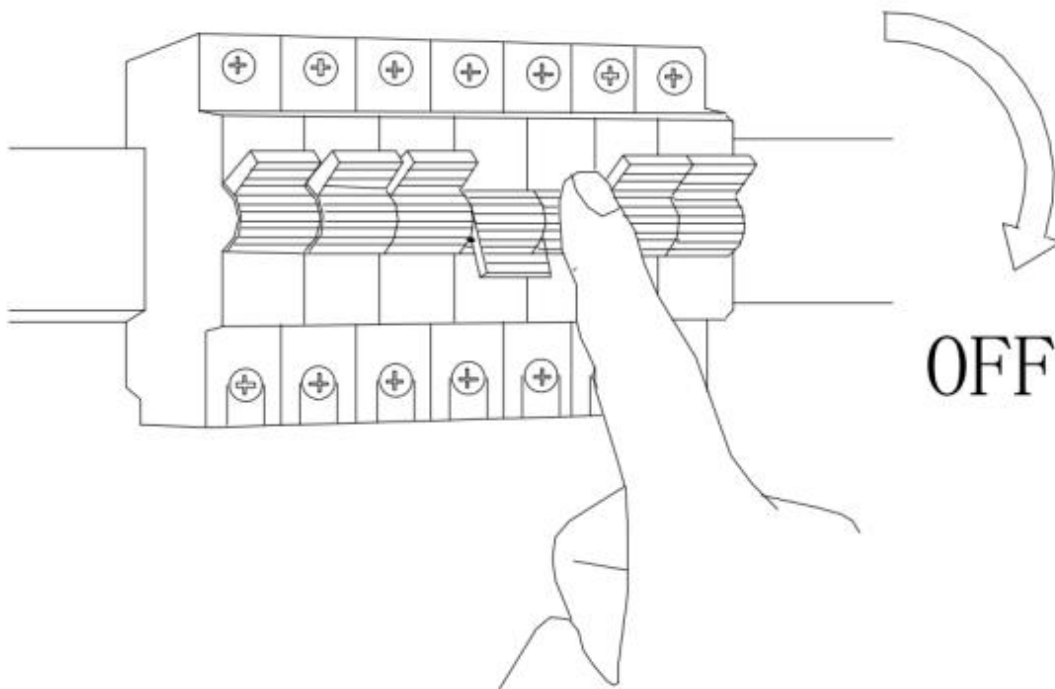
WARNING: 

Risk of electrical shock.

Turn off breaker at the panel.

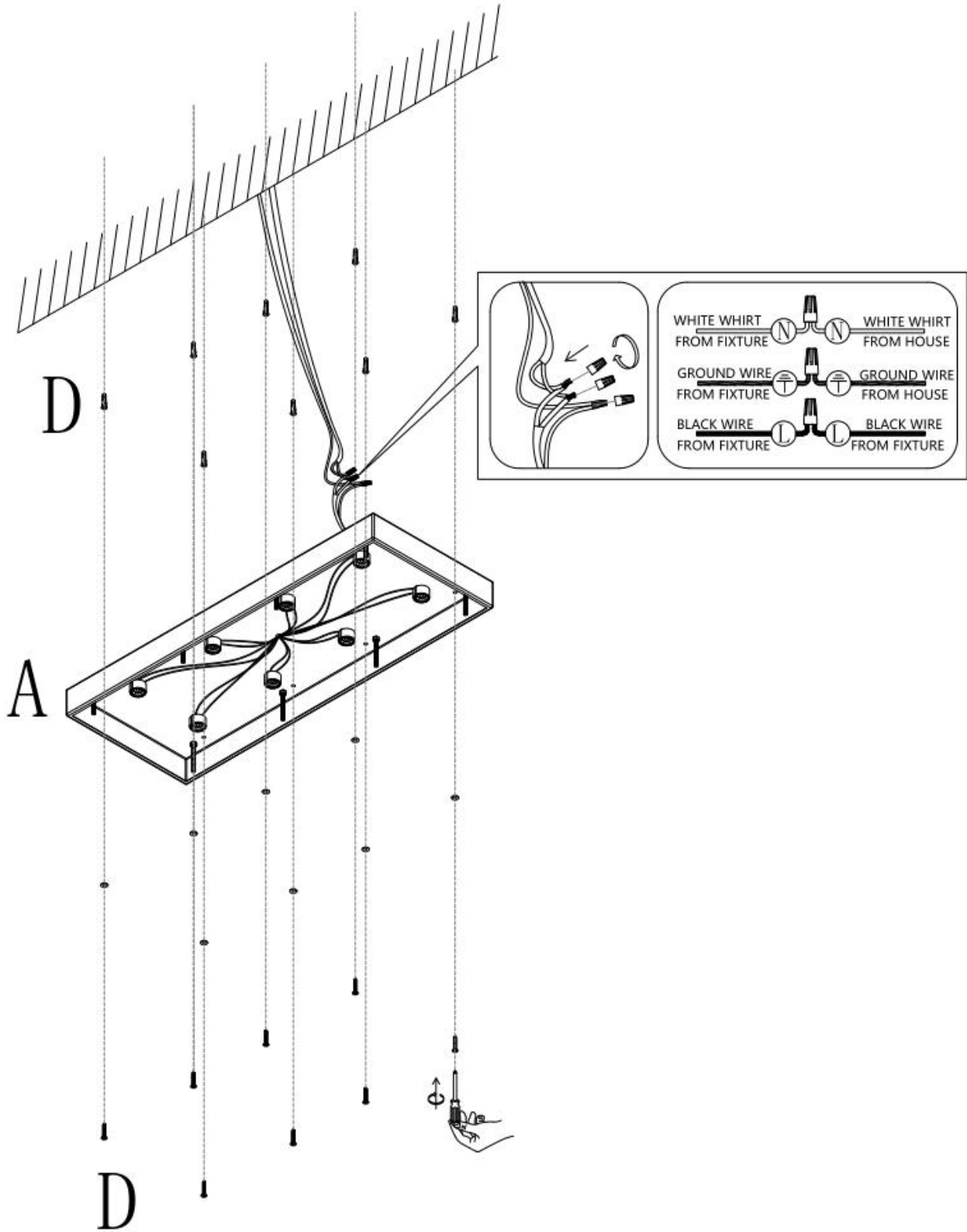
INSTALLATION

WARNING: First of all, turn off the power at the main fuse box!

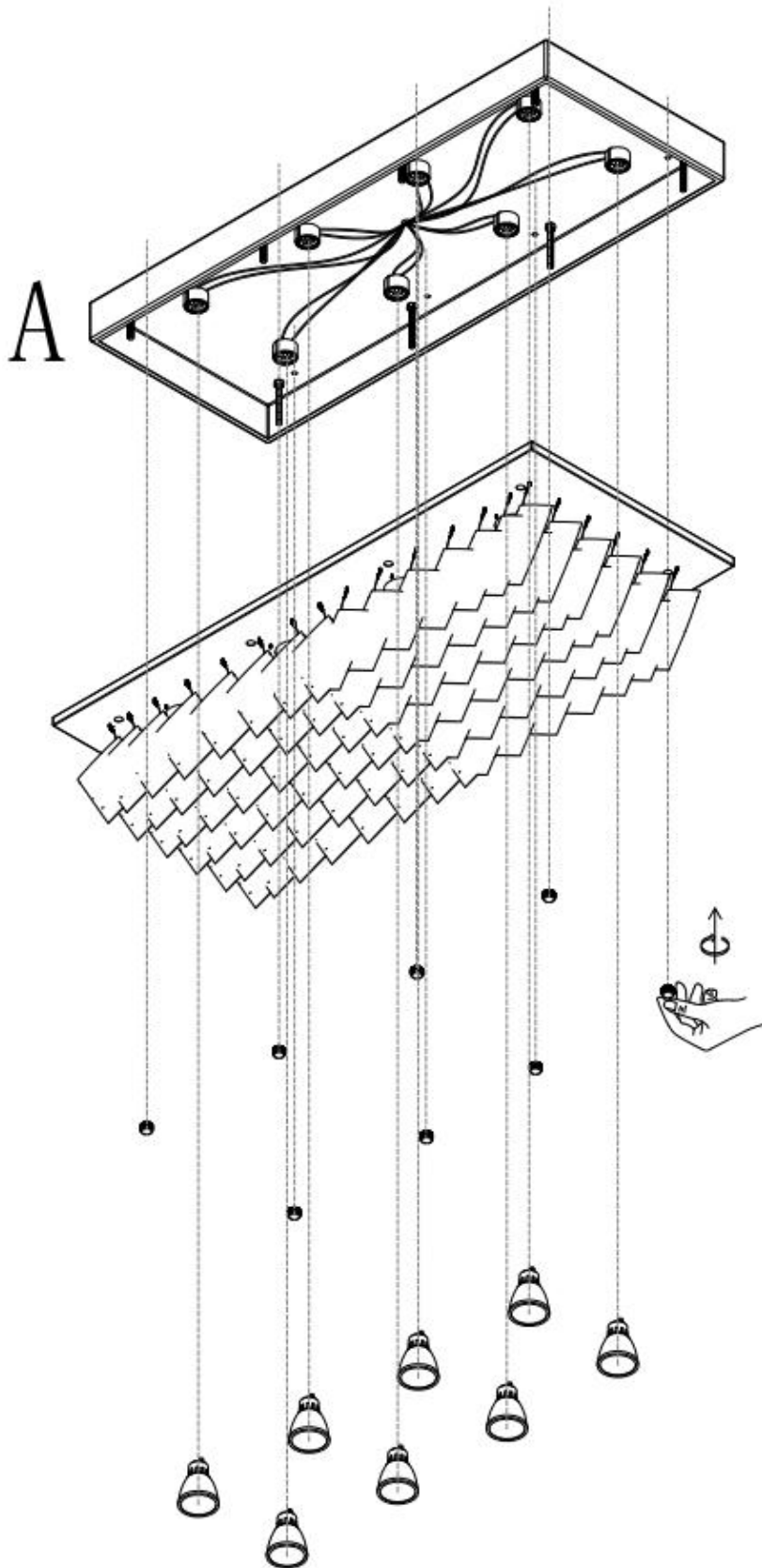


1. Fix the lamp on ceiling:

- a) Unscrew the nut on the lamp body and remove the canopy from within;
- b) Connect the wires from lamp body and ceiling junction box together with wire connectors;
- c) Push the canopy up to the ceiling, and then screw it on the mounting bracket;



2. Reassemble the lamp body and install the bulb;
(Note: We do not provide light bulbs)



3. Unpack the bag and hang the crystal balls on the end of the string;

