




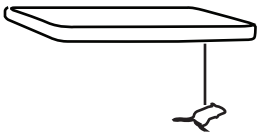
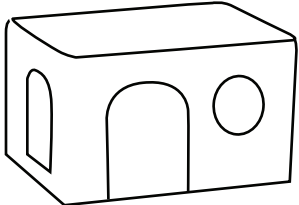

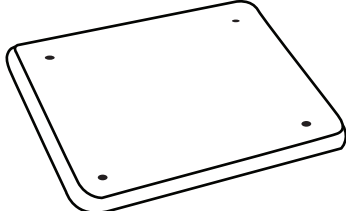

72" CAT TREE

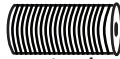







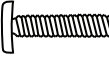

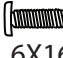



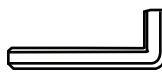


For parts or assembly issues, please contact our customer service department.
1(800)692-2199 www.majesticpet.com

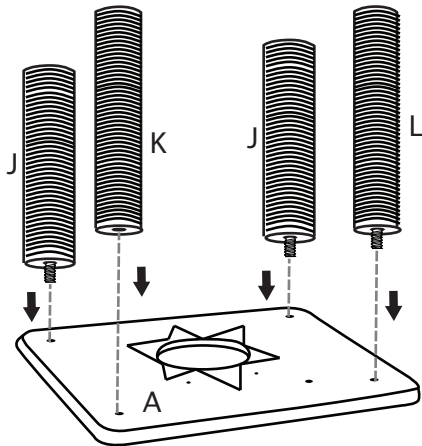


| | |
|-----------------------------------------------------------------------------------------------------------|------------------|
|  phillips screwdriver | *Not Included |
|-----------------------------------------------------------------------------------------------------------|------------------|

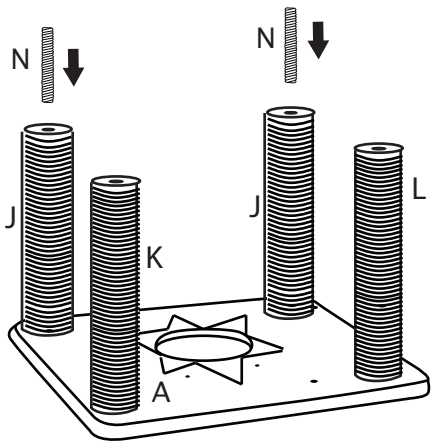
| | | |
|---|-------------------------------------------------------------------------------------|----------|
| A |  | 1 piece |
| B |  | 1 piece |
| C |  | 1 piece |
| D |  | 1 piece |
| E |  | 2 pieces |
| F |  | 1 piece |
| G |  | 2 pieces |

| | | |
|---|--------------------------------------------------------------------------------------------------|------------------|
| H |  11inch | 2 pieces |
| I |  16inch | 2 pieces |
| J |  16inch | 4 pieces |
| K |  20inch | 1 piece |
| L |  20inch | 1 piece |
| M |  24inch | 2 pieces |
| N |  10X80 | 7 pieces |
| O |  10X50 | 5 pieces |
| P |  10X30 | 1 piece |
| Q |  8X40 | 8 pieces |
| R |  6X16 | 4 pieces |
| S |  | 2 pieces |
| T |  | 4 pieces |
| U |  *right angle | 2 pieces |
| V |  | Tool Included |

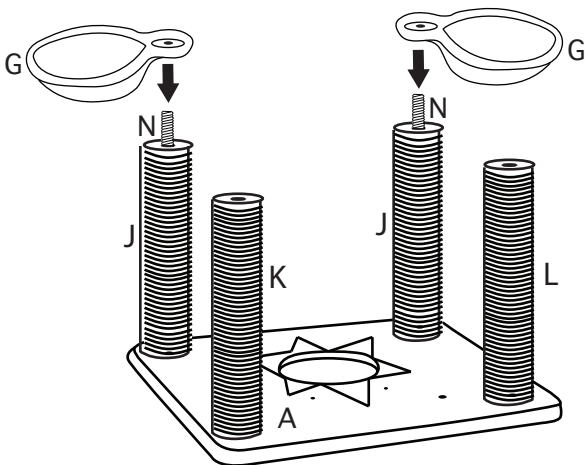
- 1 Place (A) platform upside down. Screw two (J) posts into front corner threaded holes. Screw (L) post in back right corner. Align (K) post in back left corner.



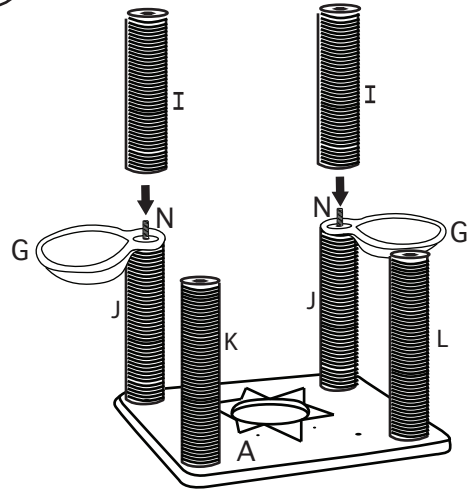
- 2 Screw (N) screws into (J) posts.



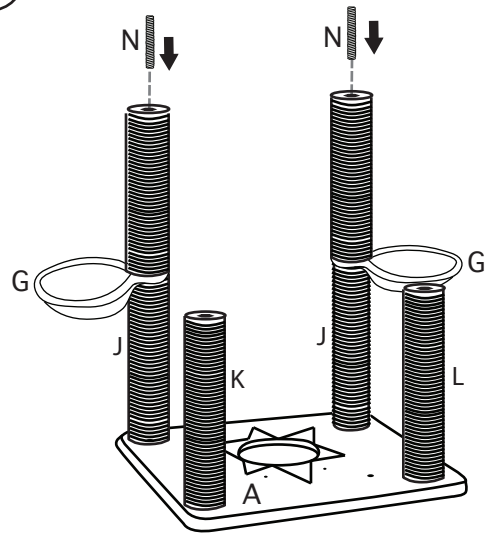
- 3 Place (G) cat nest on (N) screws.



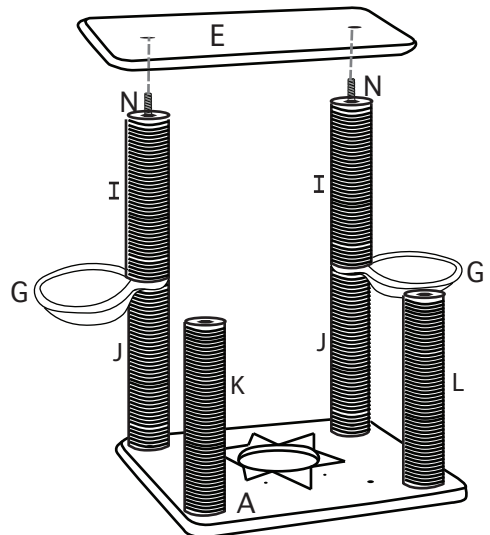
- 4 Screw two (I) posts on top of (N) screws.



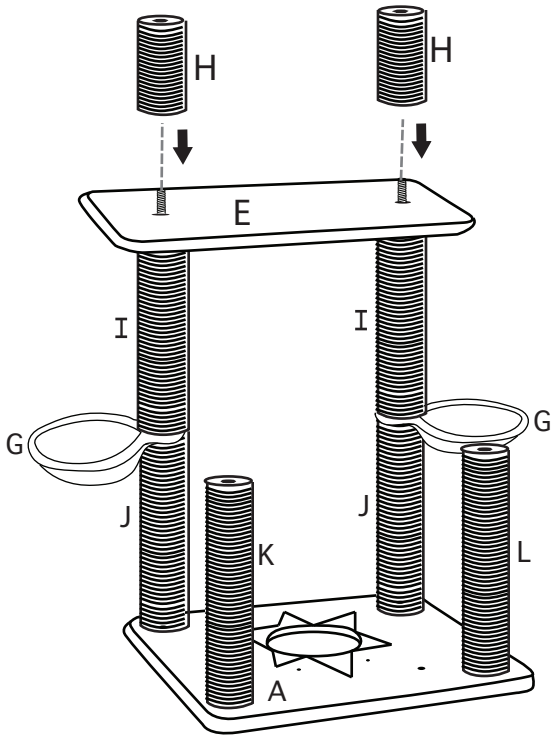
- 5 Screw (N) screws into (I) posts.



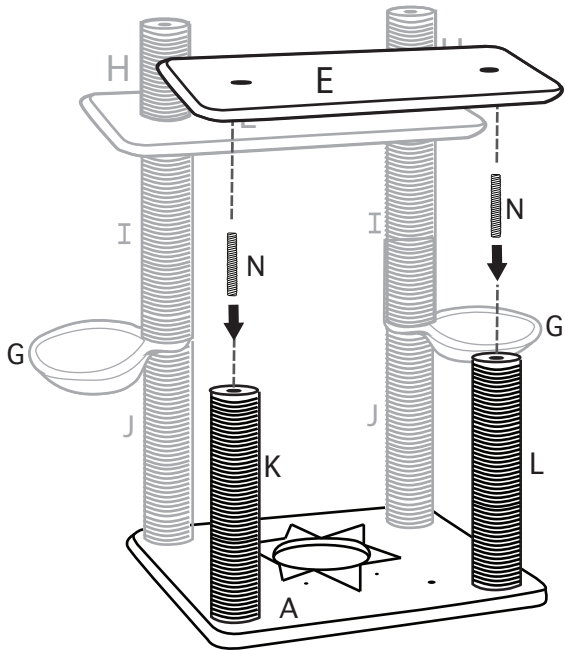
- 6 Place (E) platform upside down onto (N) screws.



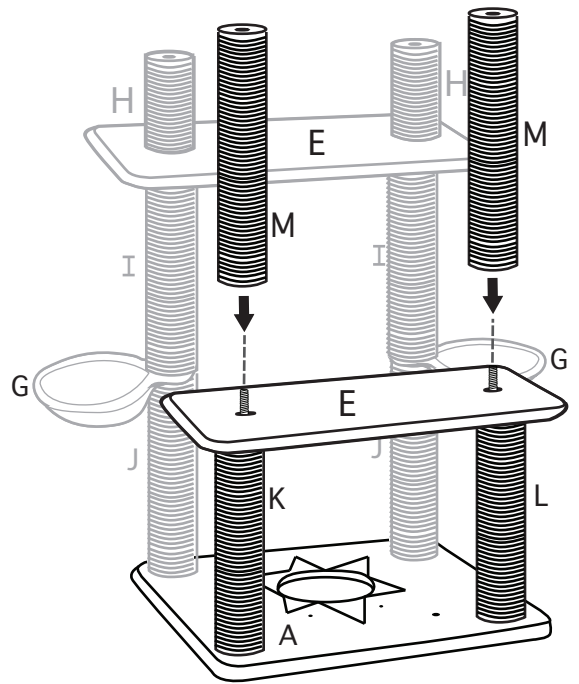
7 Screw two (H) posts onto (N) screws.



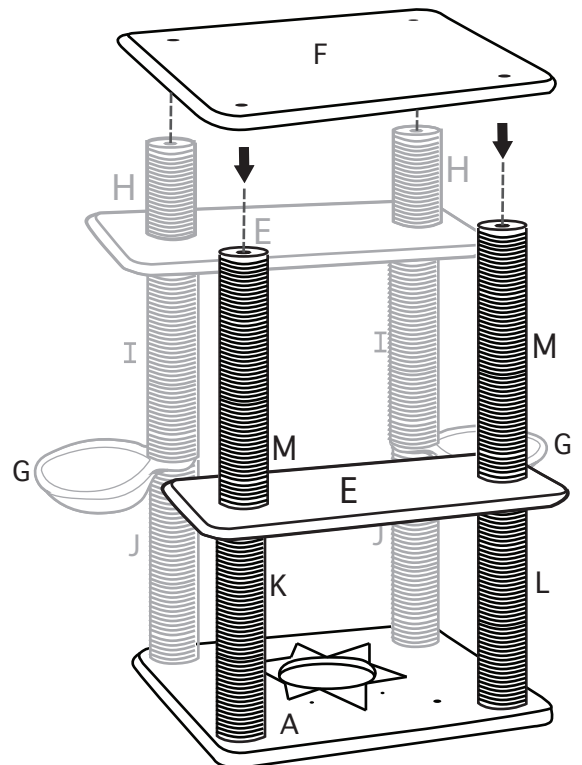
8 Screw two (N) screws onto (K) post and (L) post. Place (E) platform upside down onto (N) screws.



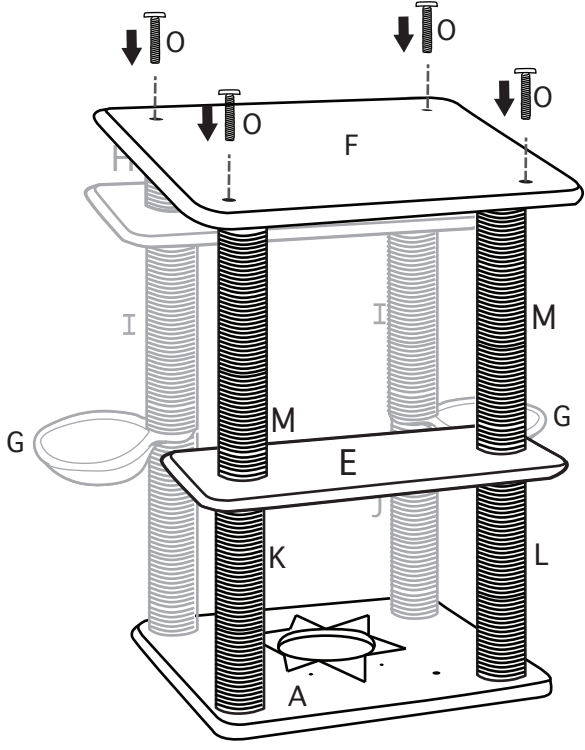
9 Screw two (M) posts upside down onto (N) screws.



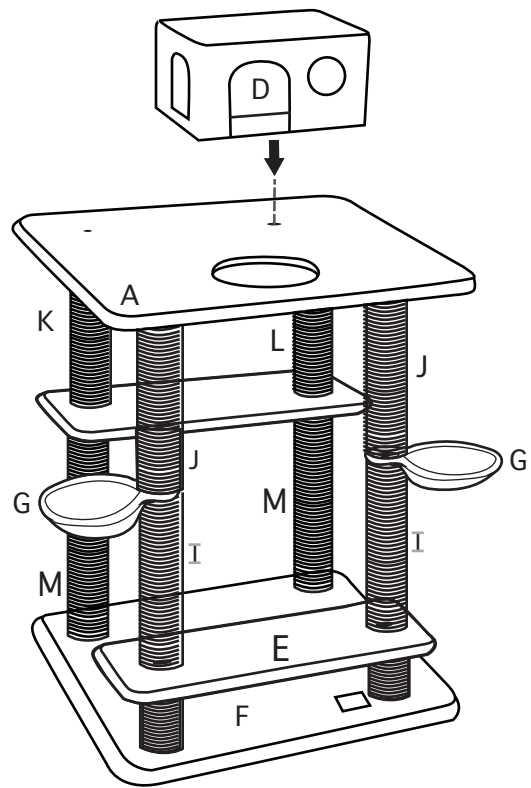
10 Turn (F) base upside down and align over the posts.



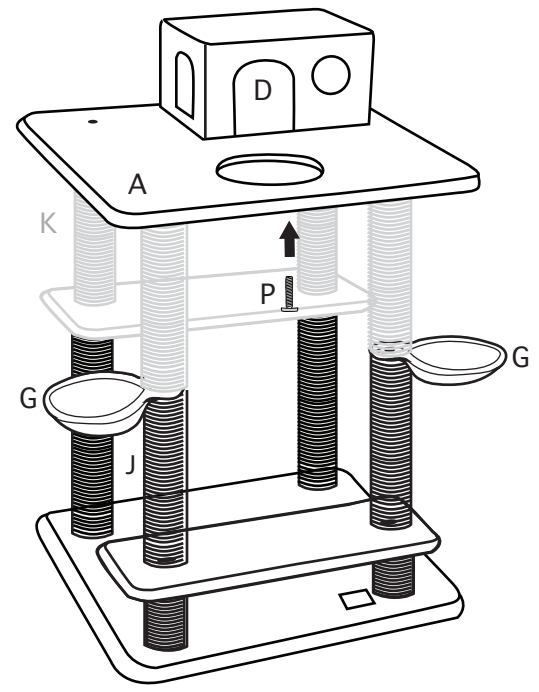
11 Screw four (O) screws into (F) base. Tighten with tool.



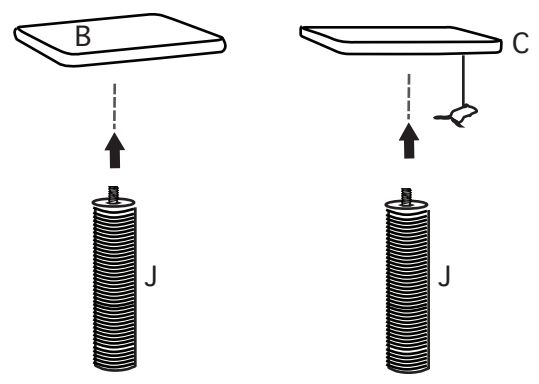
12 Turn cat tree right side up. Place (D) house on top of (A) platform and align it with the hole on the right on the platform.



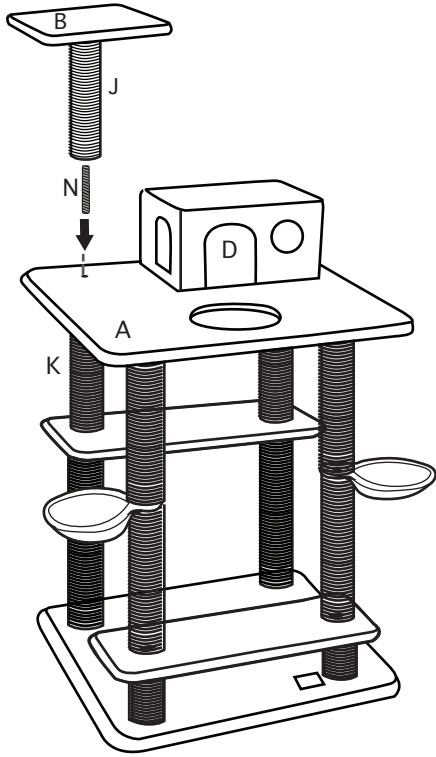
13 Use (P) screw through bottom of (A) platform into (D) house. Tighten with tool.



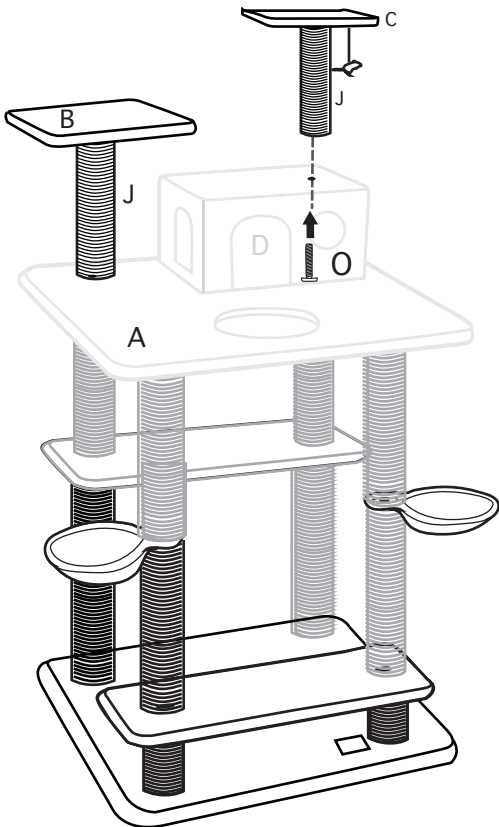
14 Attach (J) post with (B) platform. Attach (J) post with (C) platform.



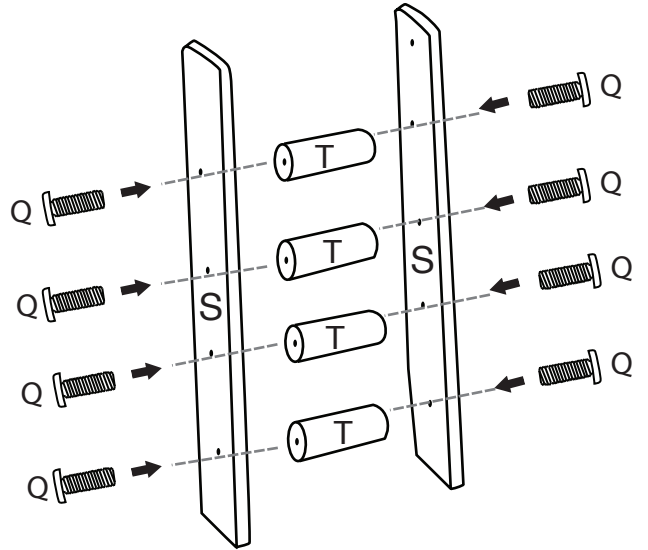
- 15 Screw (N) screw through (A) platform into (K) post. Screw (J+B) onto (N) screw.



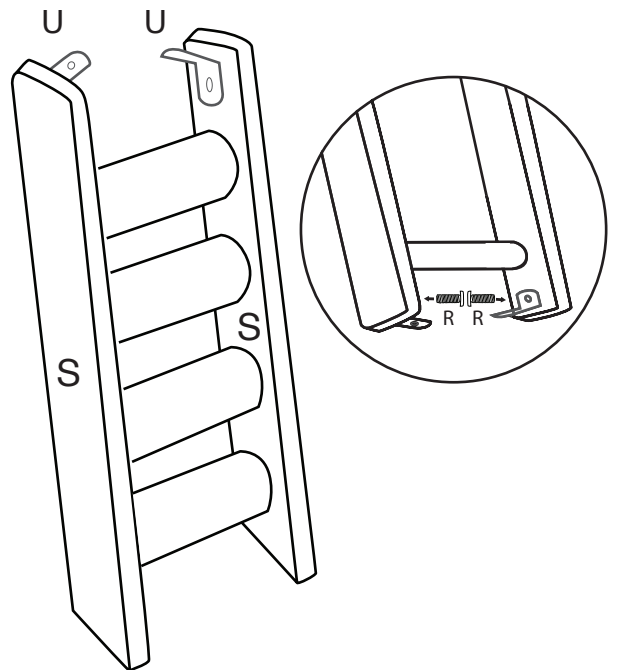
- 16 Screw (O) screw through roof of house into (J+C) posts. Tighten with tool.



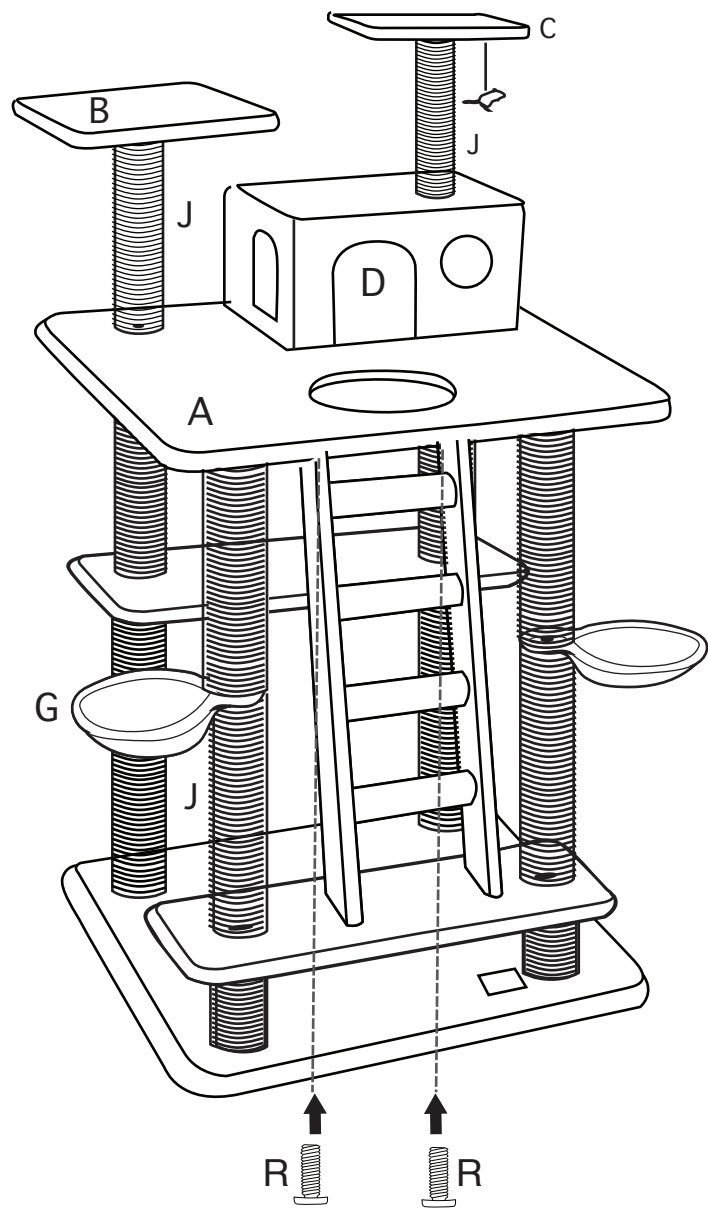
- 17 Attach pieces of ladder together, using (Q) screws. Screw through (S) pieces into (T) poles. Please note: Make sure top hole is on the inside.



- 18 Attach (U) bracket to ladder, using two (R) screws. Use phillips screwdriver to tighten. *Not included.



- 19 Slide latter under platform. It should rest on the front (E) platform.
Using (R) screws, attach latter under (A) platform.



72" CAT TREE



For parts or assembly issues, please contact our customer service department.
1(800)692-2199 www.majesticpet.com
customerservice@majesticpet.com

WARNING: For pets only. Keep out of reach of children. Pets should be supervised when using this product. Remove from pet if any part becomes loose or detached. Do not use or store near heat or flame. Remove all packaging and dispose of properly.