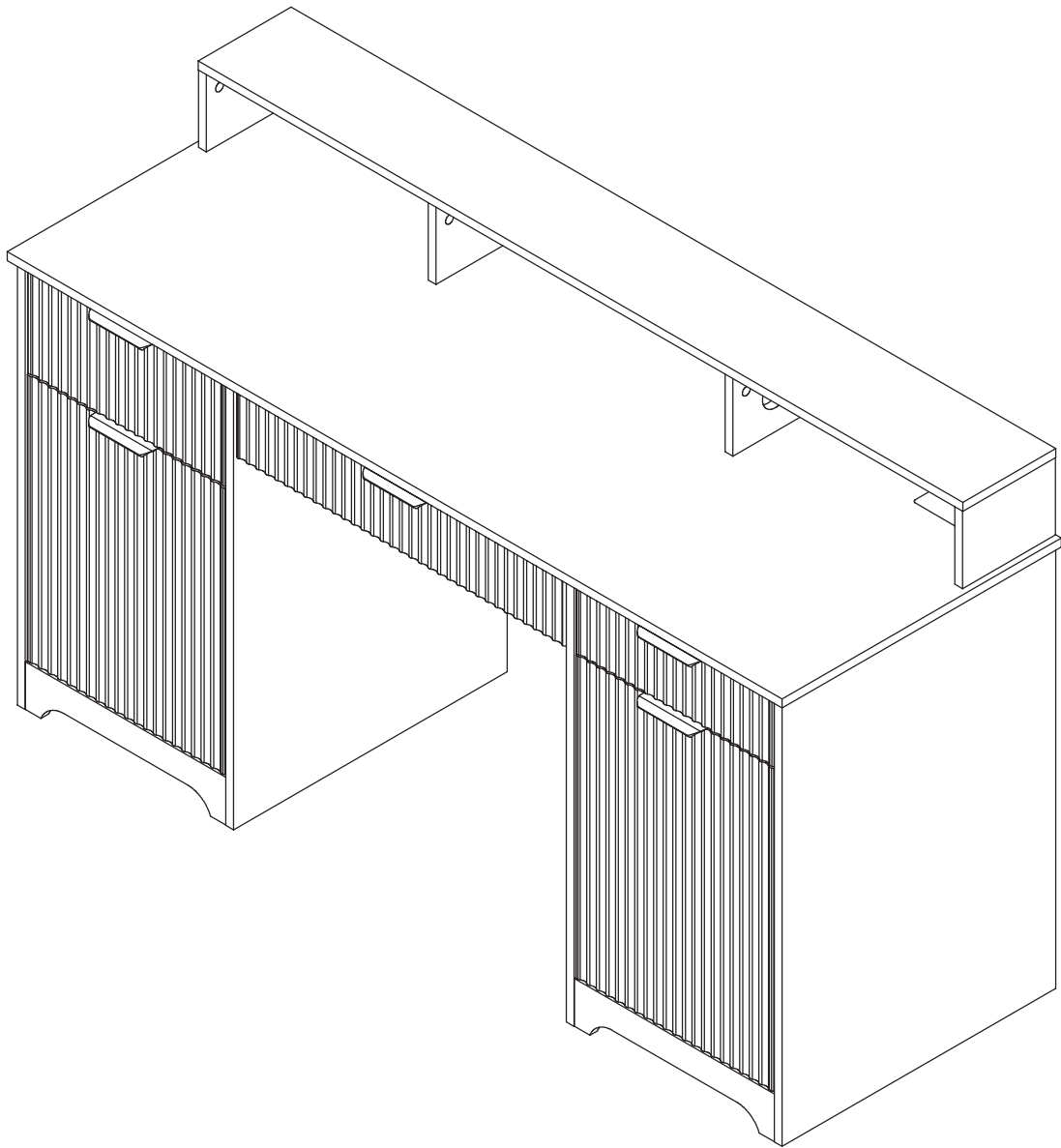
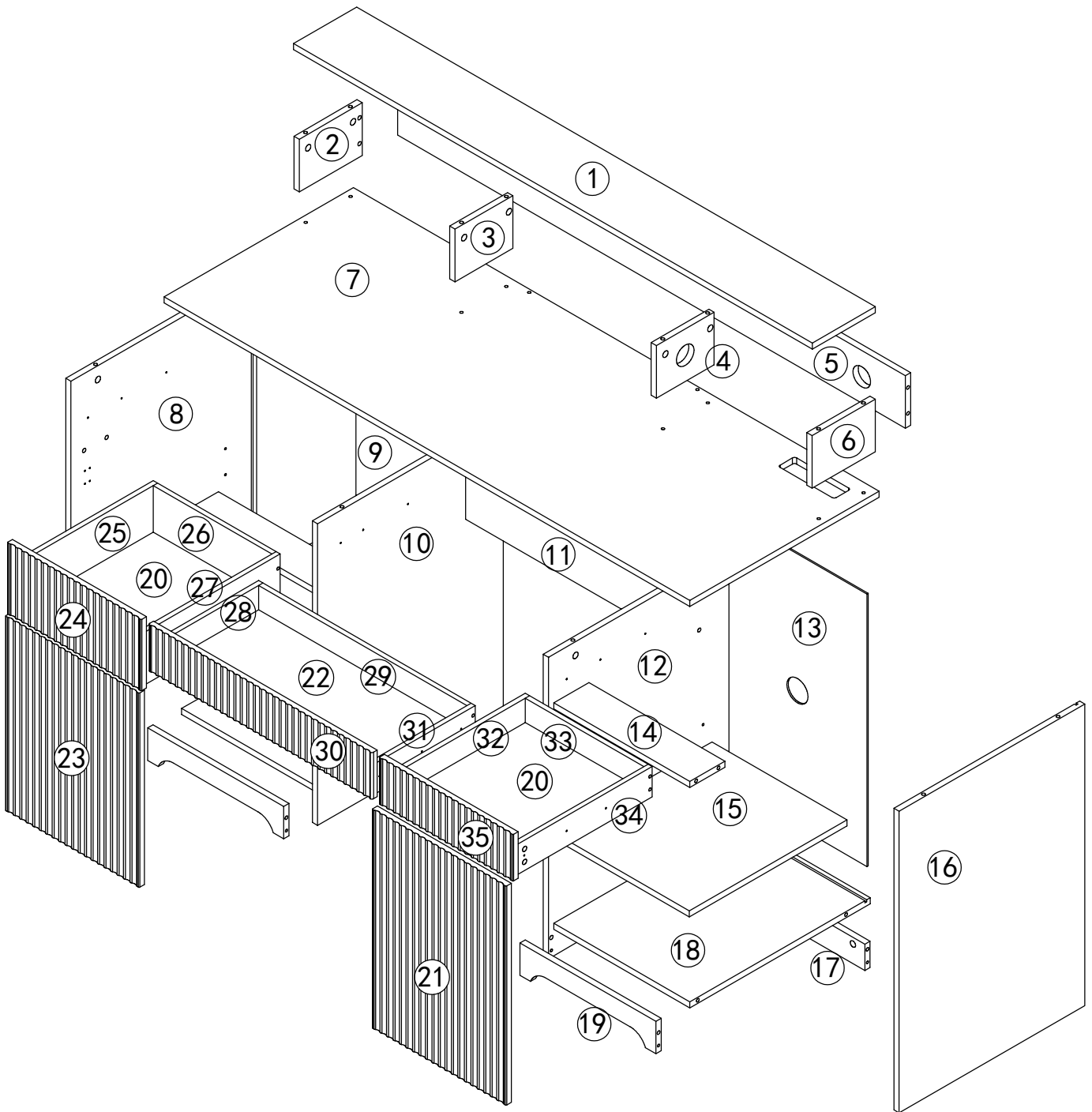

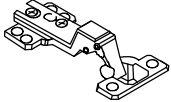
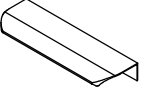
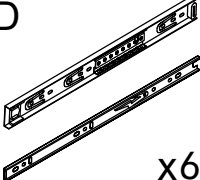
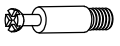


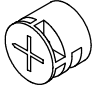
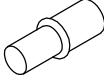

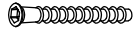

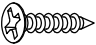
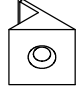
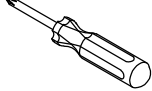

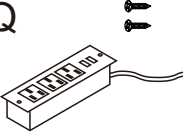


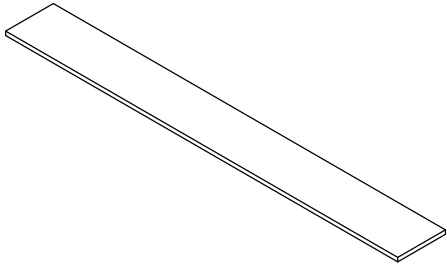
Assembly Instructions





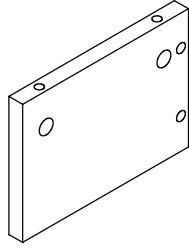
<p>A</p>  <p>x2</p>	<p>B</p>  <p>x4</p>	<p>C</p>  <p>x5</p>	<p>D</p>  <p>x6</p>	<p>E</p>  <p>28mm x8(+1)</p>	<p>F</p>  <p>12mm x8(+1)</p>
<p>G</p>  <p>40mm x48(+1)</p>	<p>H</p>  <p>15mm x48(+1)</p>	<p>I</p>  <p>x8</p>	<p>J</p>  <p>ø6x30mm x8</p>	<p>K</p>  <p>x32(+1)</p>	<p>L</p>  <p>ø3.5x14mm x24(+2)</p>
<p>M</p>  <p>ø3x14mm x70(+2)</p>	<p>N</p>  <p>x8</p>	<p>O</p>  <p>x1</p>	<p>P</p>  <p>x1</p>	<p>Q</p>  <p>x1</p>	

1



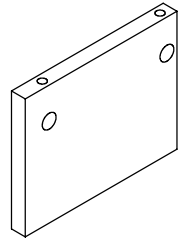
x1

2



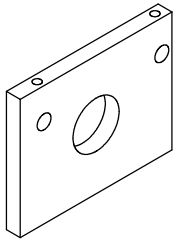
x1

3



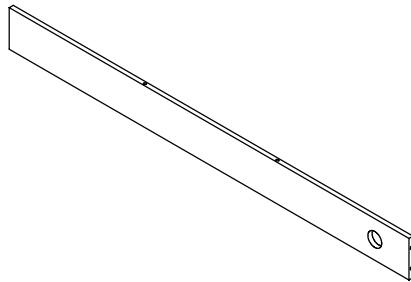
x1

4



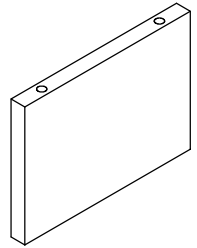
x1

5



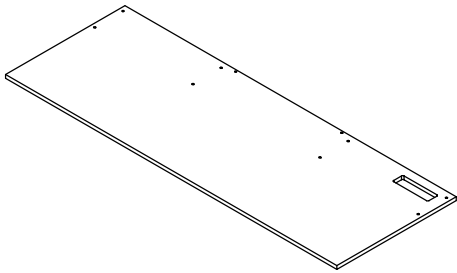
x1

6



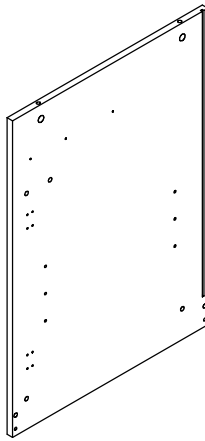
x1

7



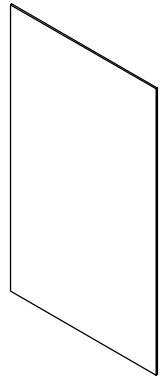
x1

8



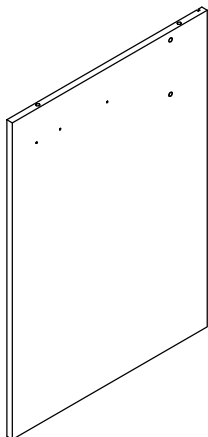
x1

9



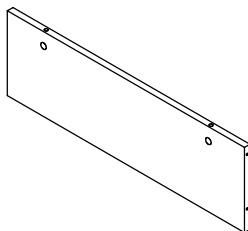
x1

10



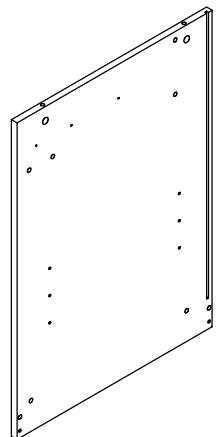
x1

11



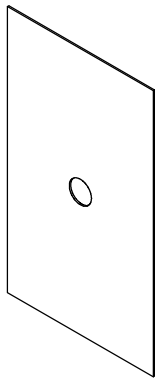
x1

12



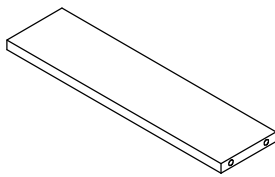
x1

13



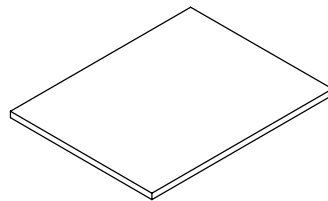
x1

14



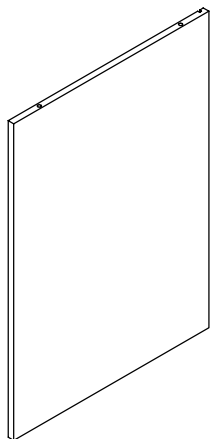
x2

15



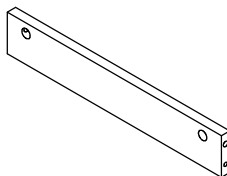
x2

16



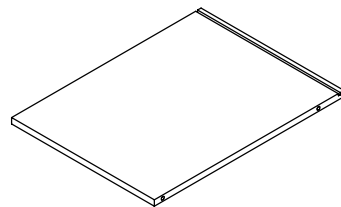
x1

17



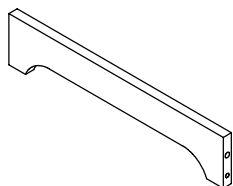
x2

18



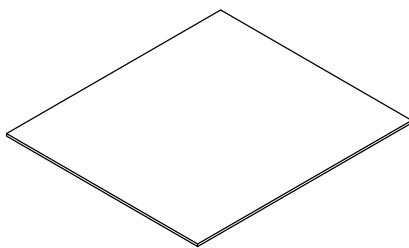
x2

19



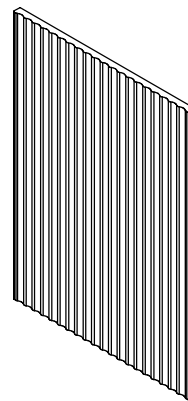
x2

20



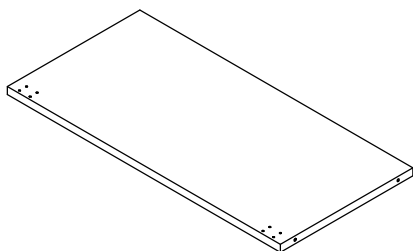
x2

21



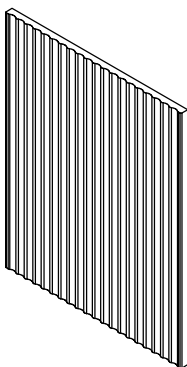
x1

22



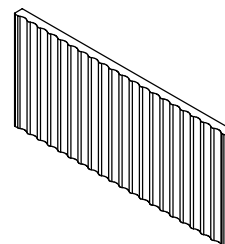
x1

23



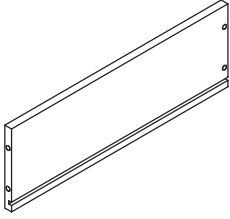
x1

24



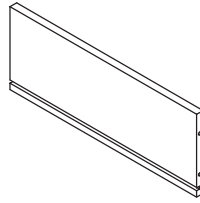
x1

25



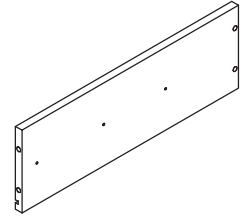
x1

26



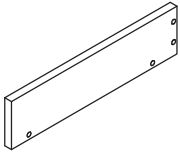
x1

27



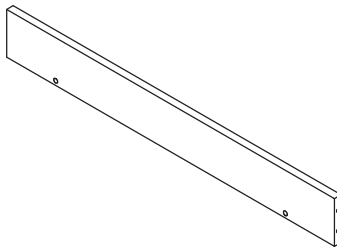
x1

28



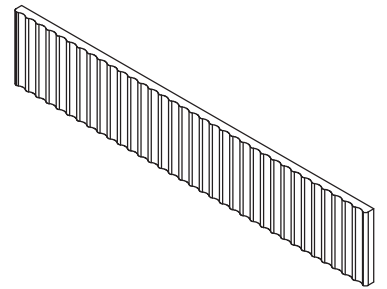
x1

29



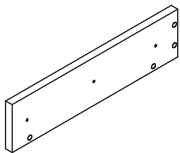
x1

30



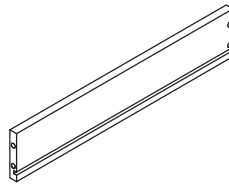
x1

31



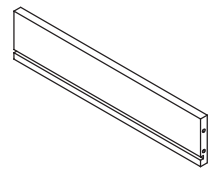
x1

32



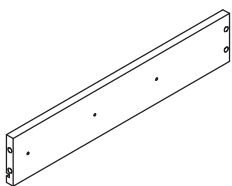
x1

33



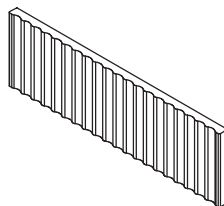
x1

34



x1

35

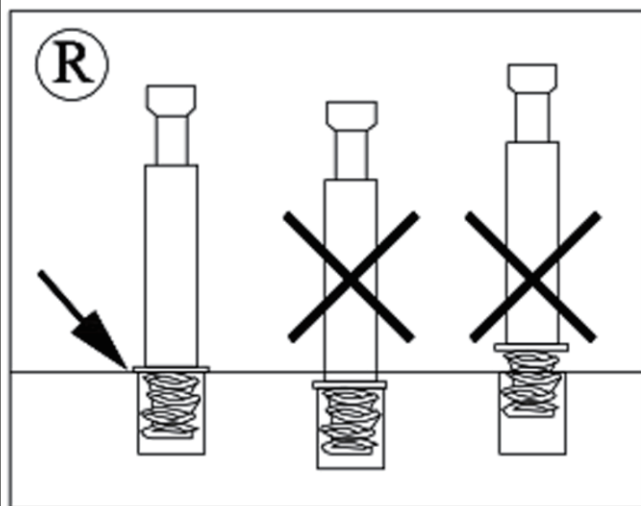
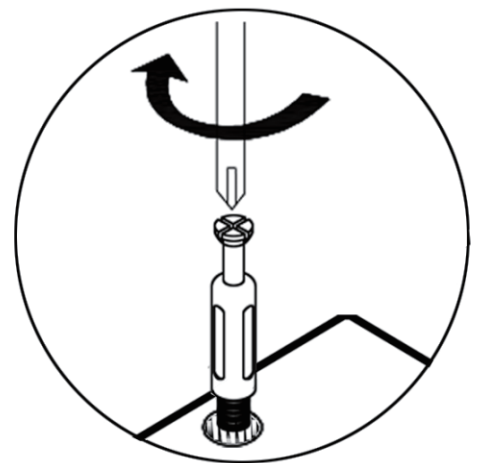
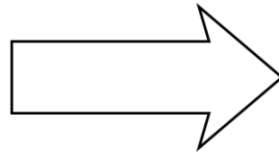
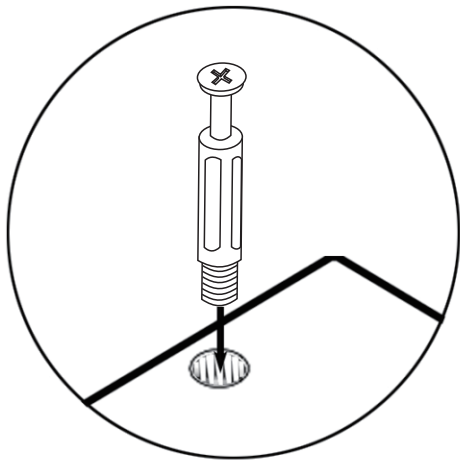


x1



Hardware installation demonstration

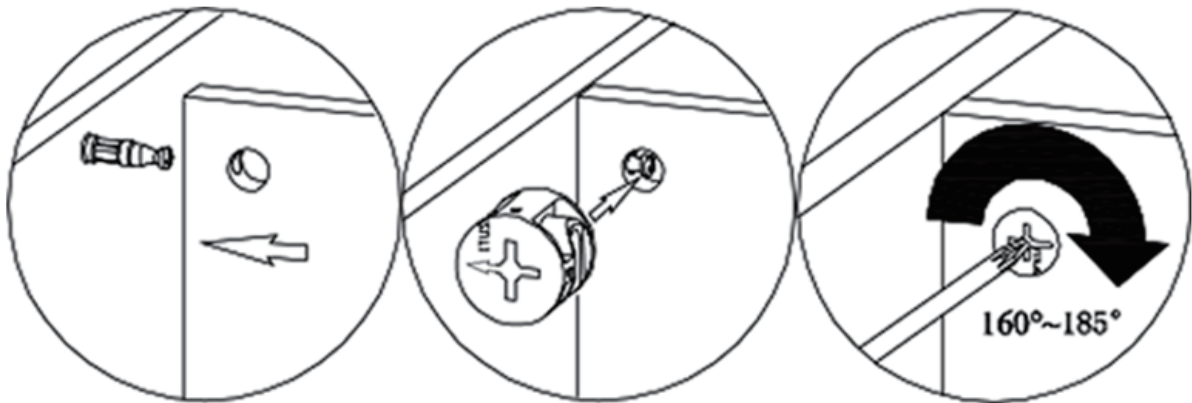
- Please make sure E.G hardware tightened and can't be pulled out



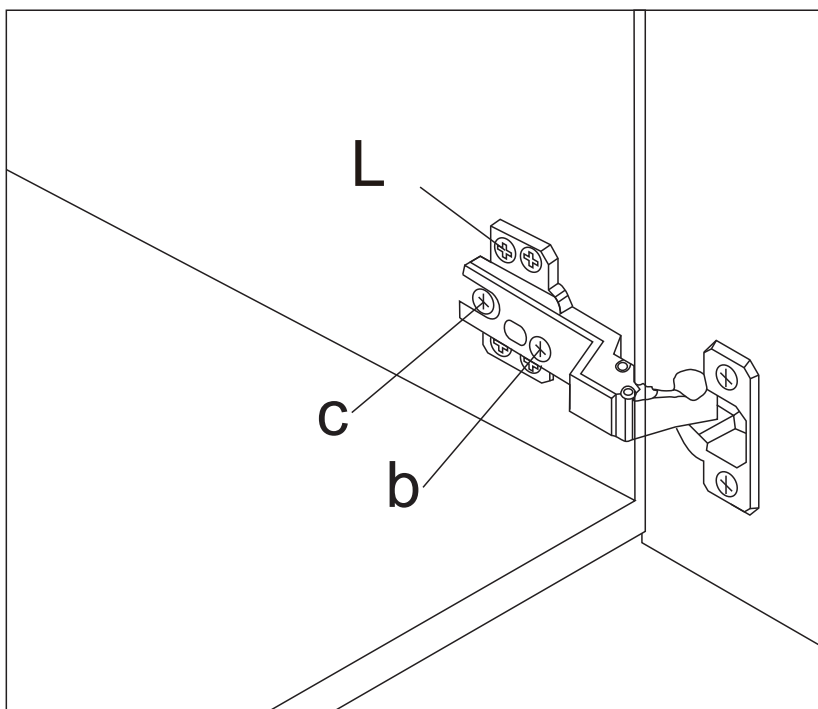


Hardware installation demonstration

- When inserting cam ensure arrowhead on cam points toward to the hole on the panel edge



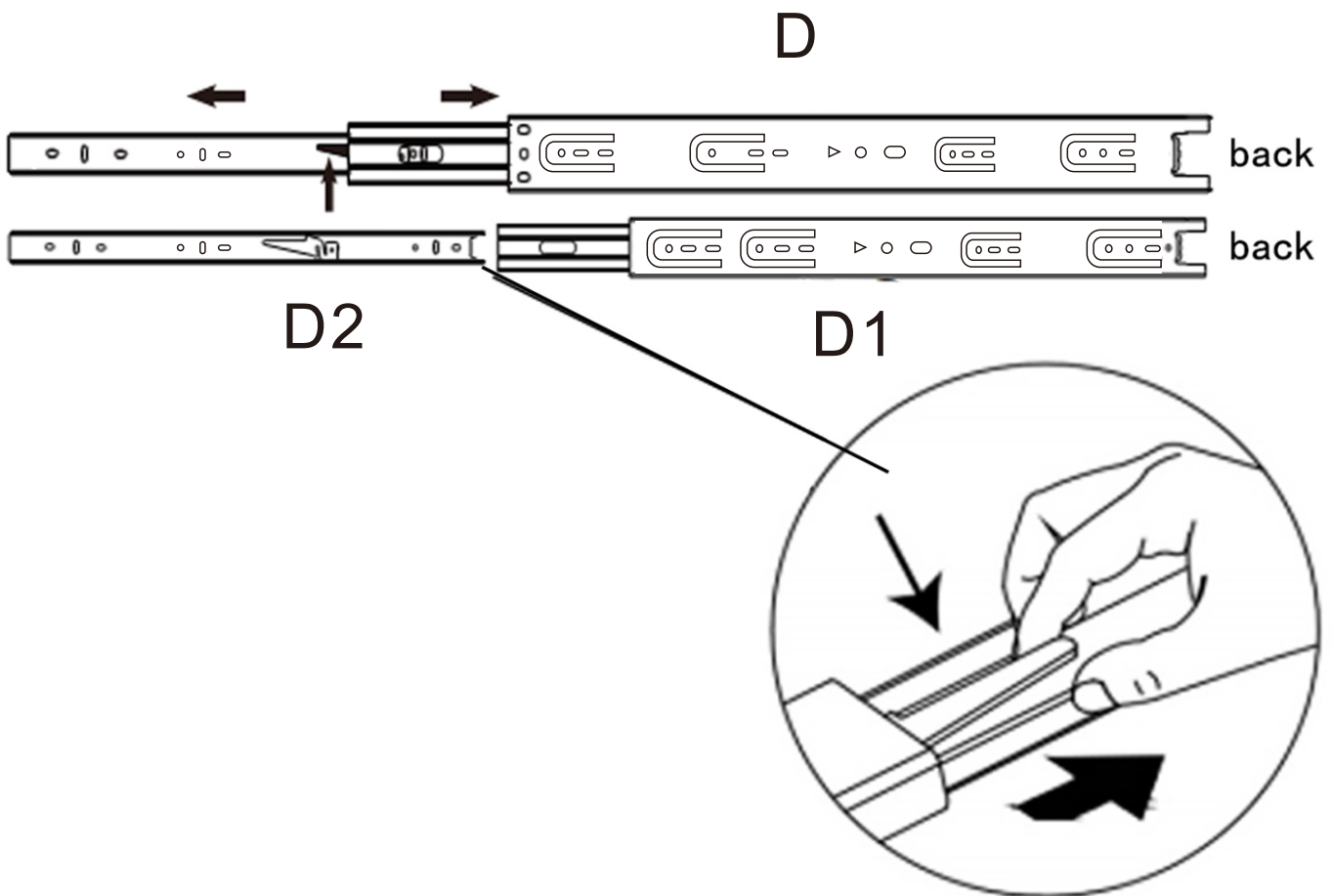
How TO ADJUST THE EUROPEAN ADJUSTABLE HINGES ON DOOR
If the doors require adjustment, follow the below options as needed: To adjust door up or down, loosen screws (L), adjust door and retighten screws. To adjust door left and right, turn screw (b) in or out. To adjust door in and out, loosen screw (c), adjust door and retighten screw.





Hardware installation demonstration

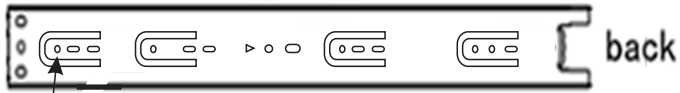
- Before installing the drawer rail, you need to separate the D1 and D2 first.



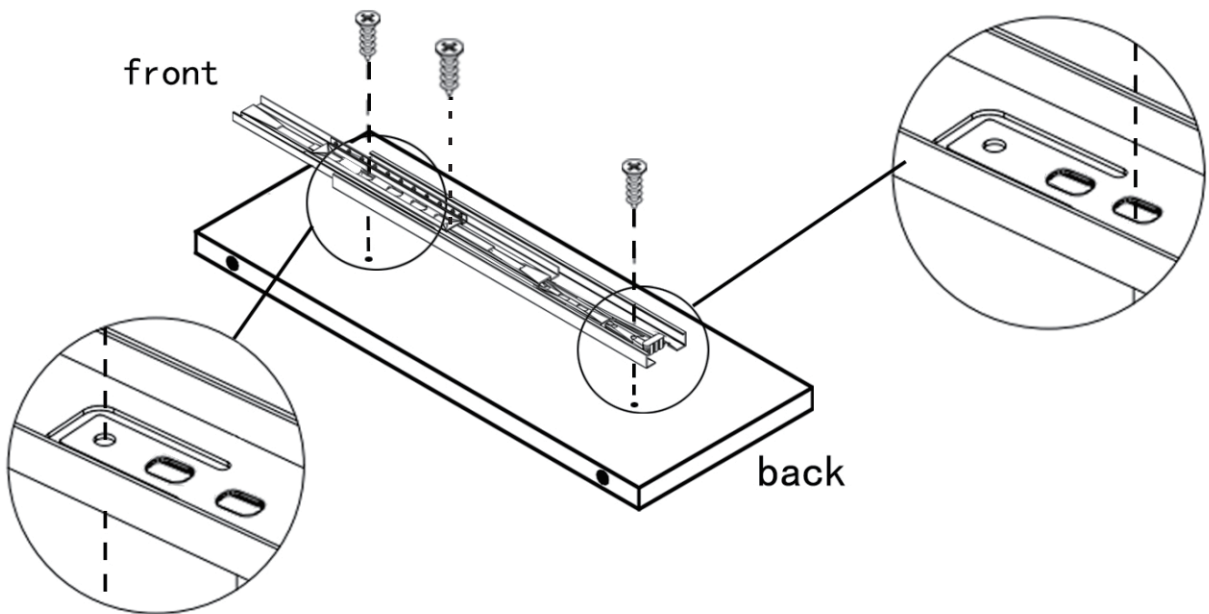
Warm Reminder: Press it and split



Hardware installation demonstration

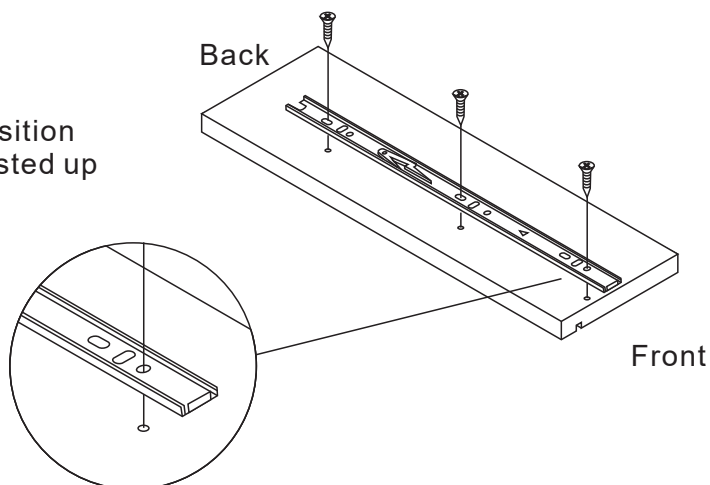


The first screw hole should corresponded with the board location hole

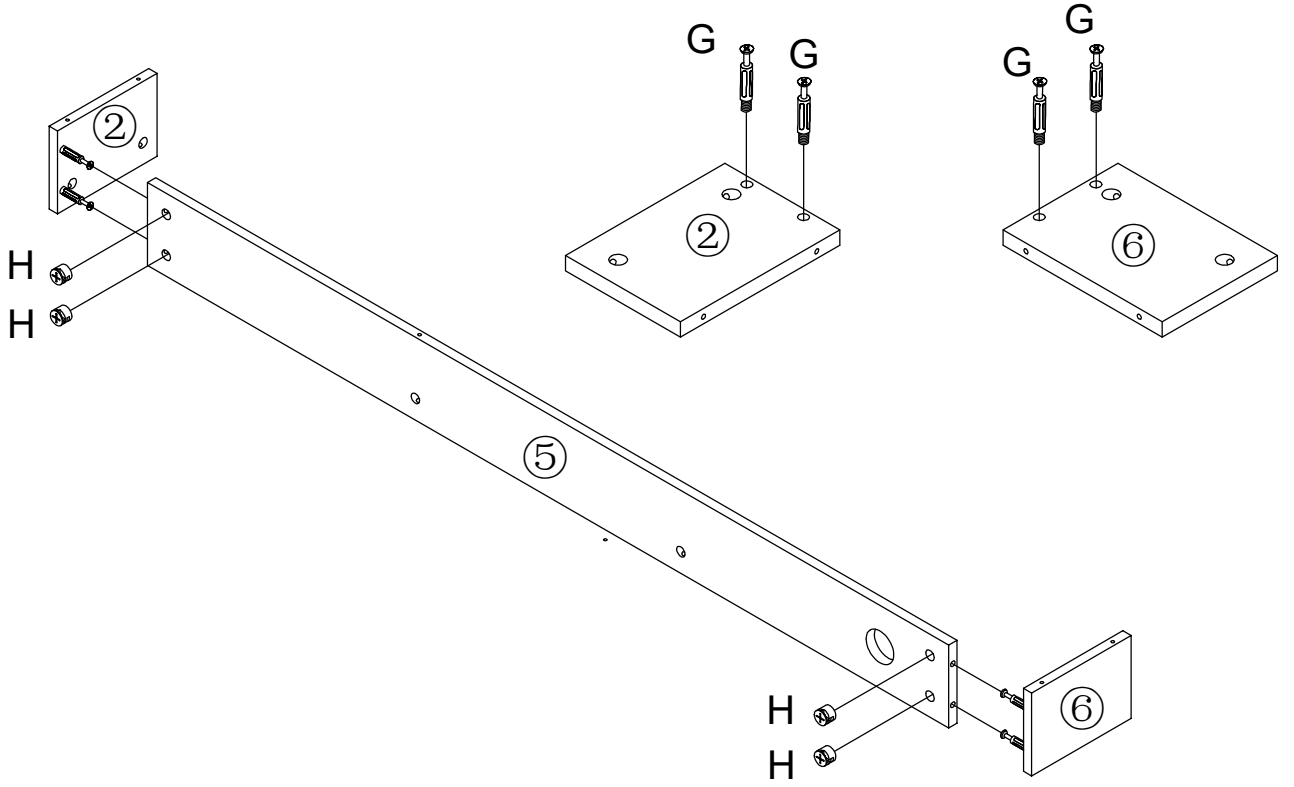



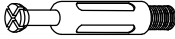
The first screw hole should corresponded with the board location hole

The hole position can be adjusted up and down

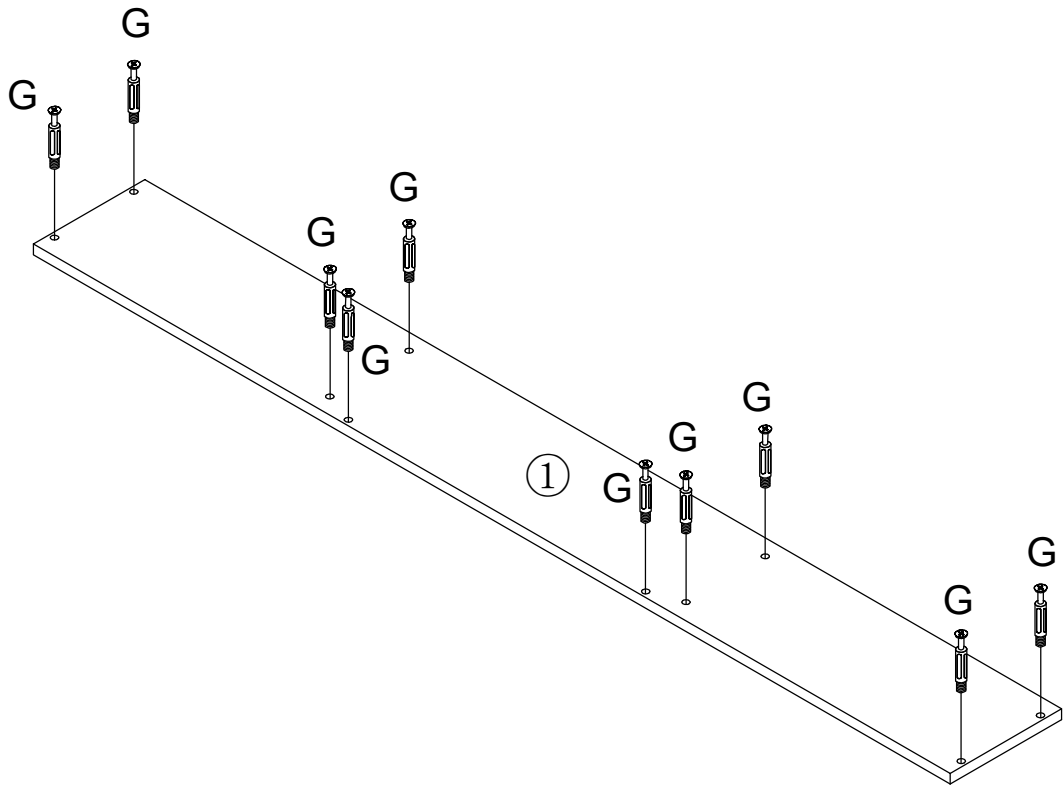



01



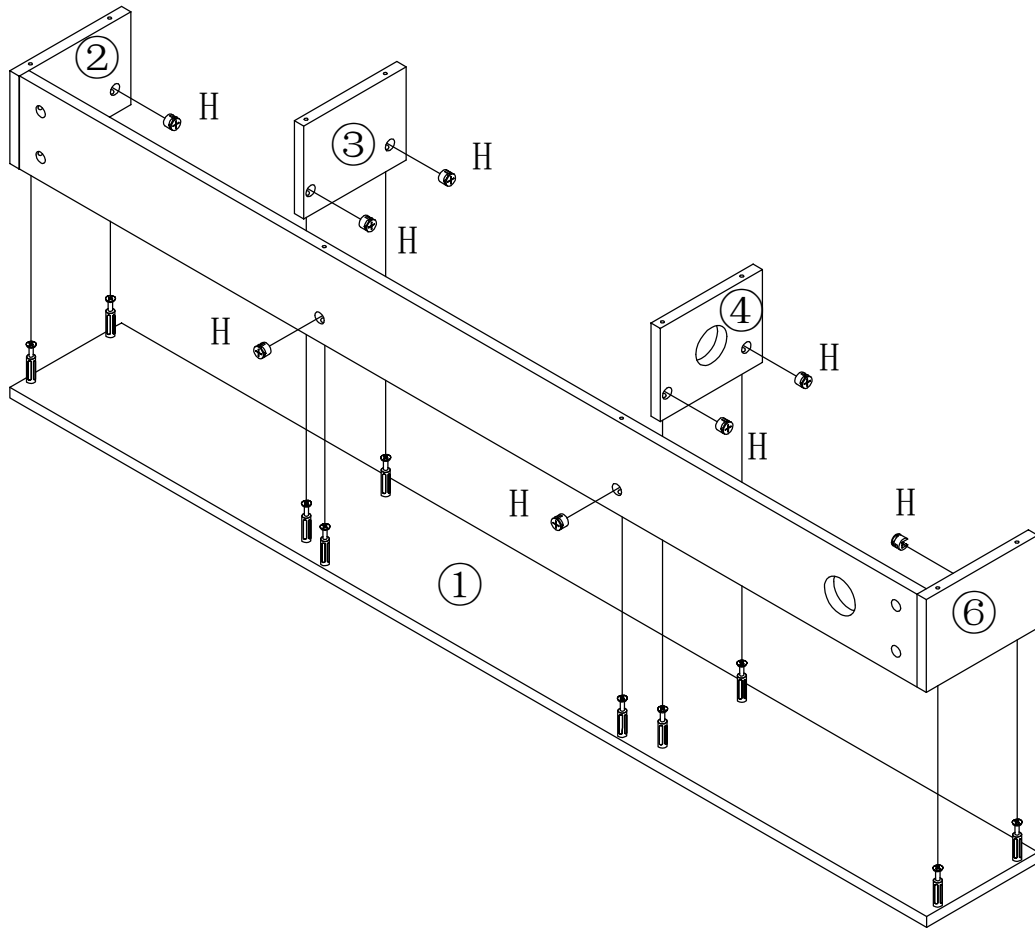
H 15mm  x4	G 40mm  x4
---	--

02

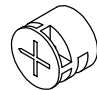


G 40mm  x10
--

03

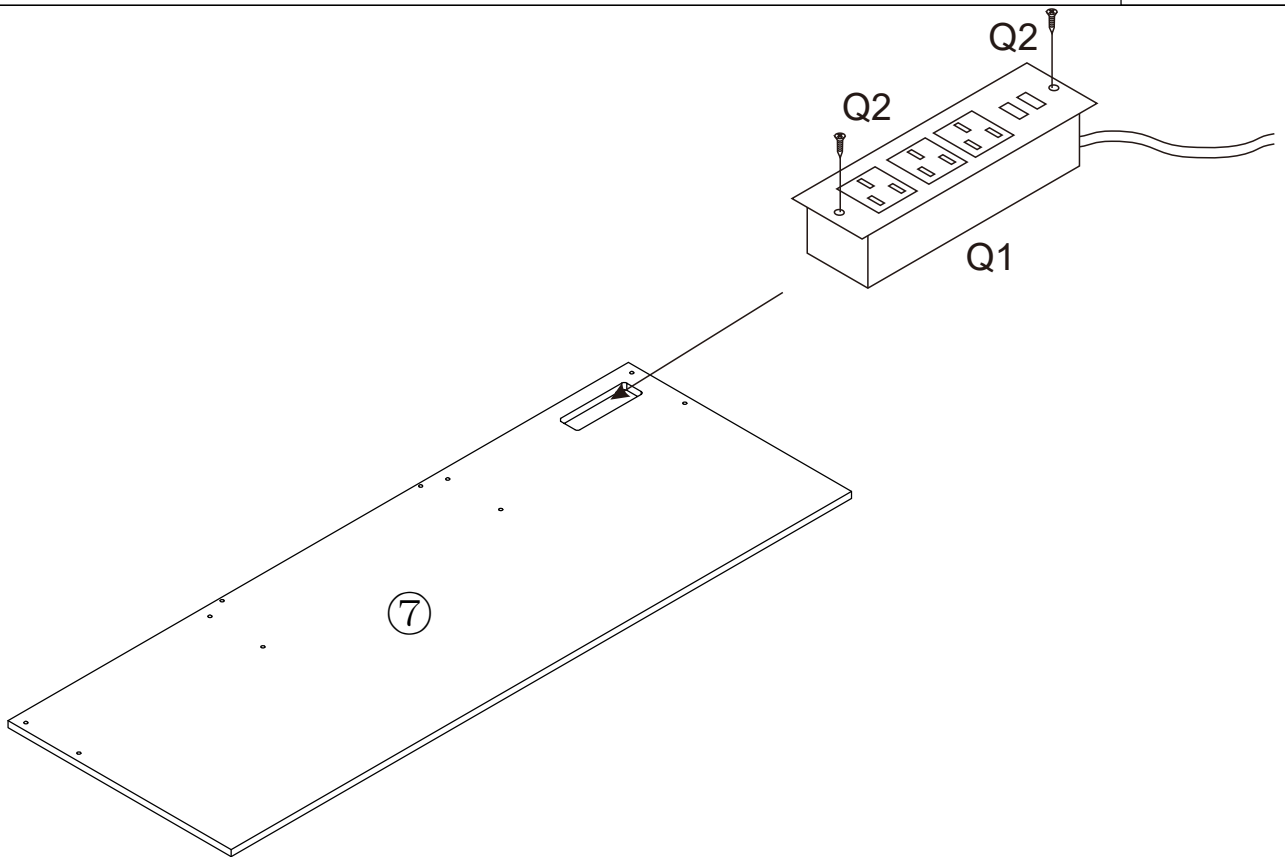


H 15mm




x10

04

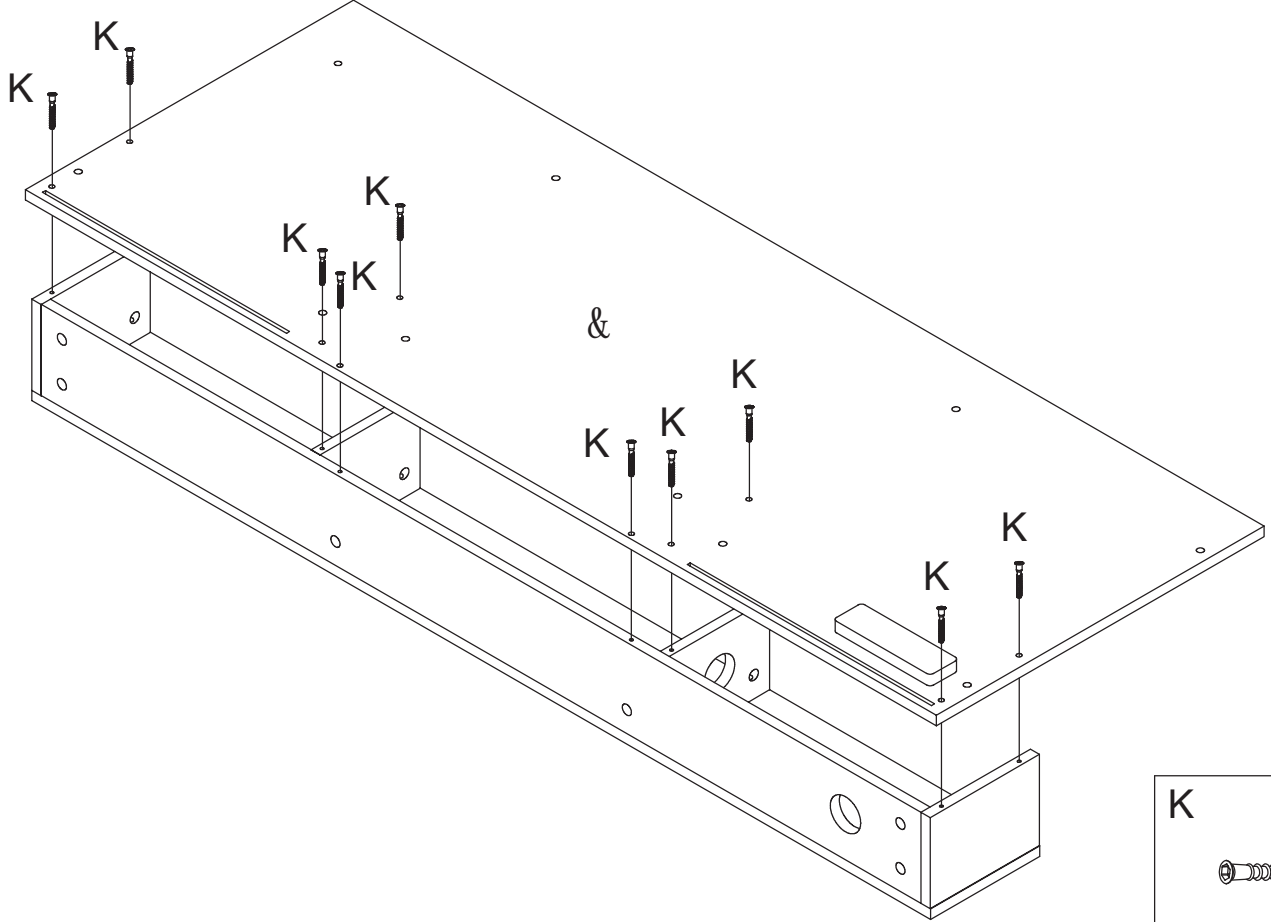


Q



x1

05

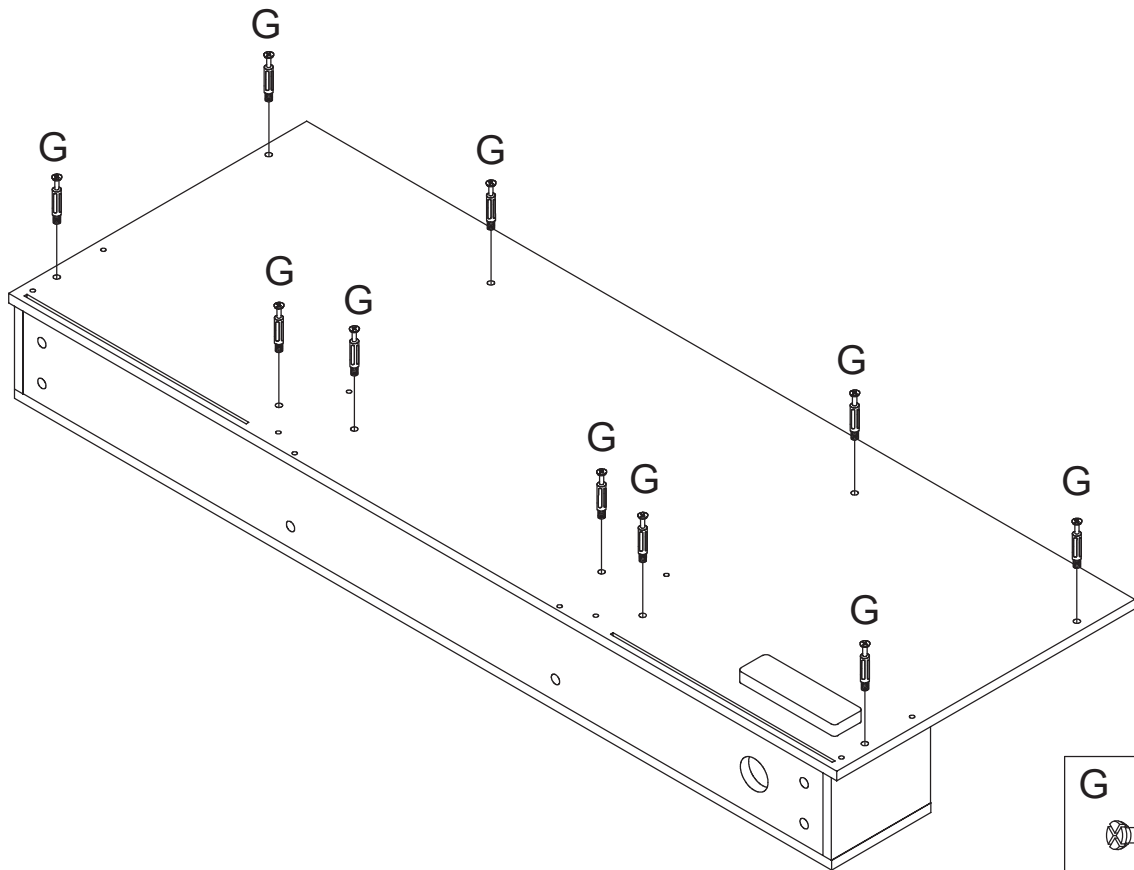


K



x10

06



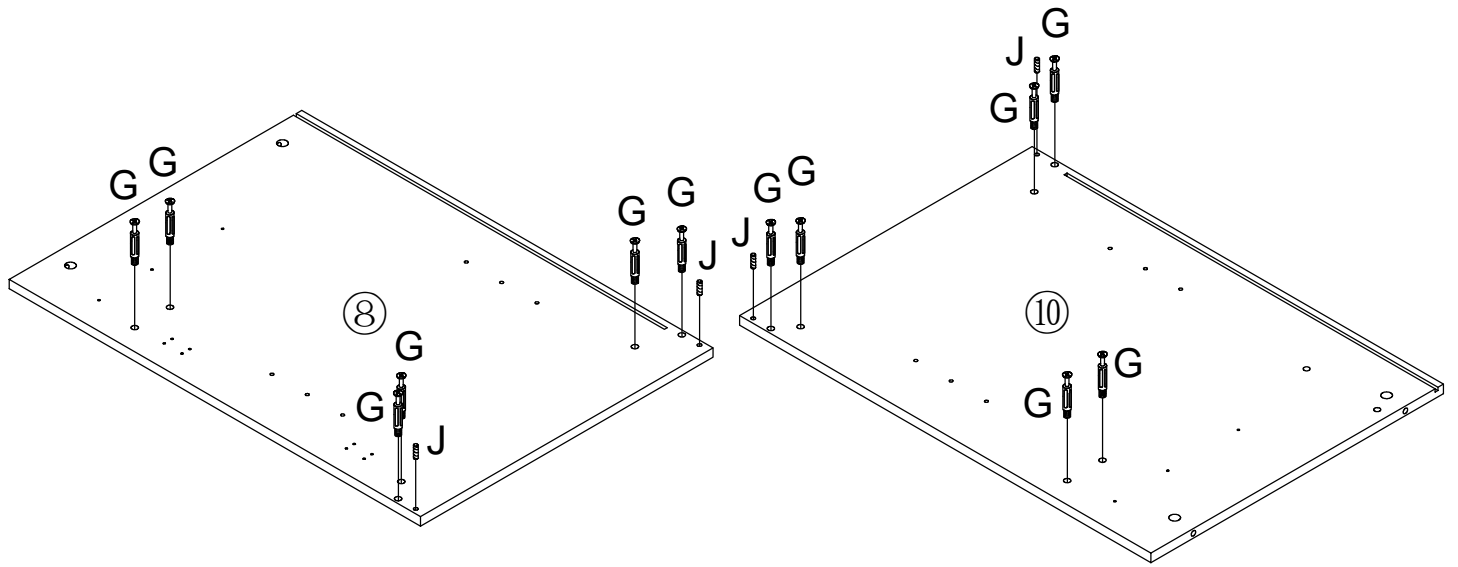
G





40mm

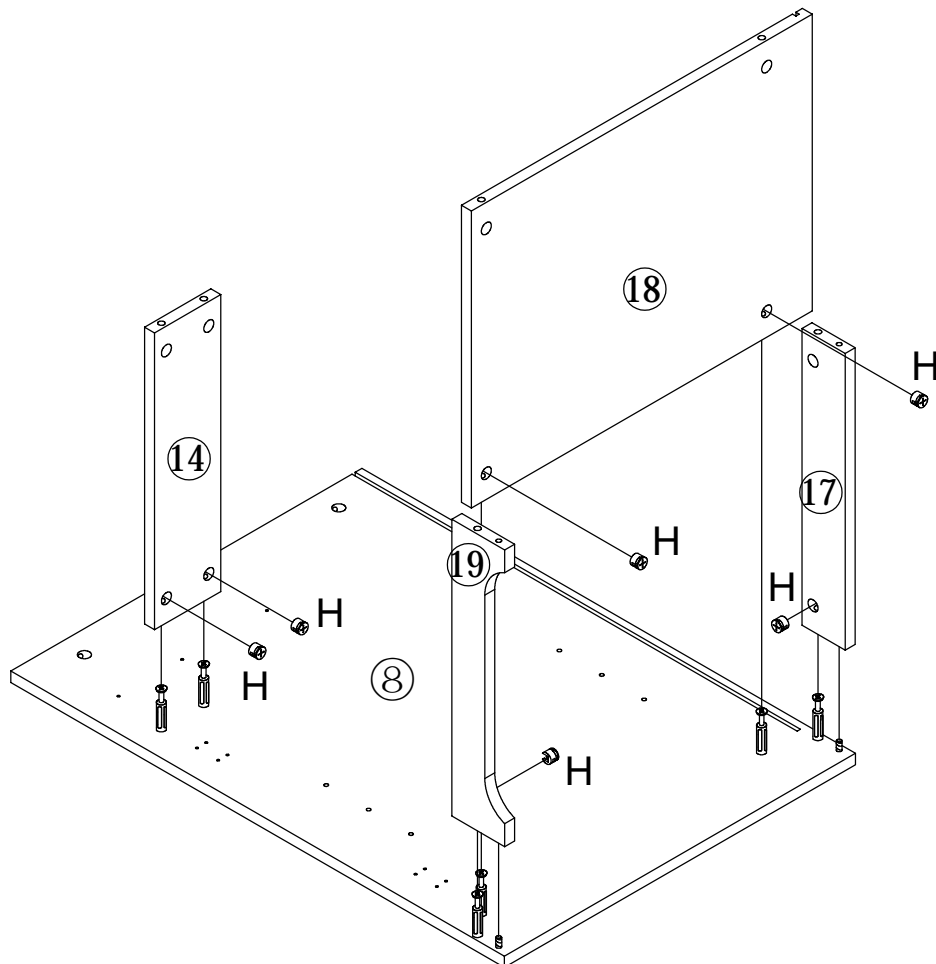
x10

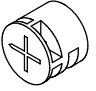
07



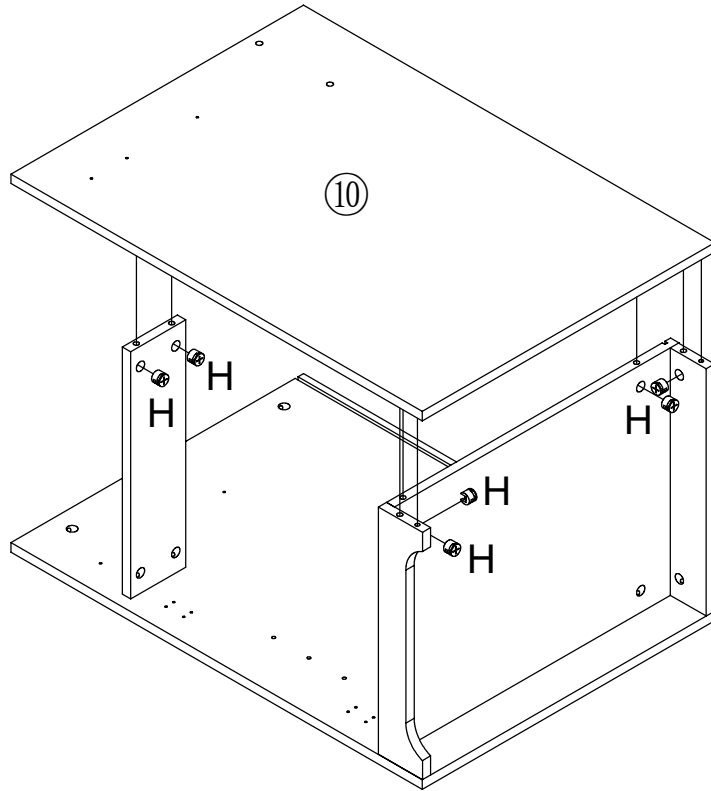
<p>J</p>  <p>∅6x30mm x4</p>	<p>G</p>  <p>40mm x12</p>
---	---

08

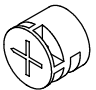


<p>H 15mm</p>  <p>x6</p>
--

09

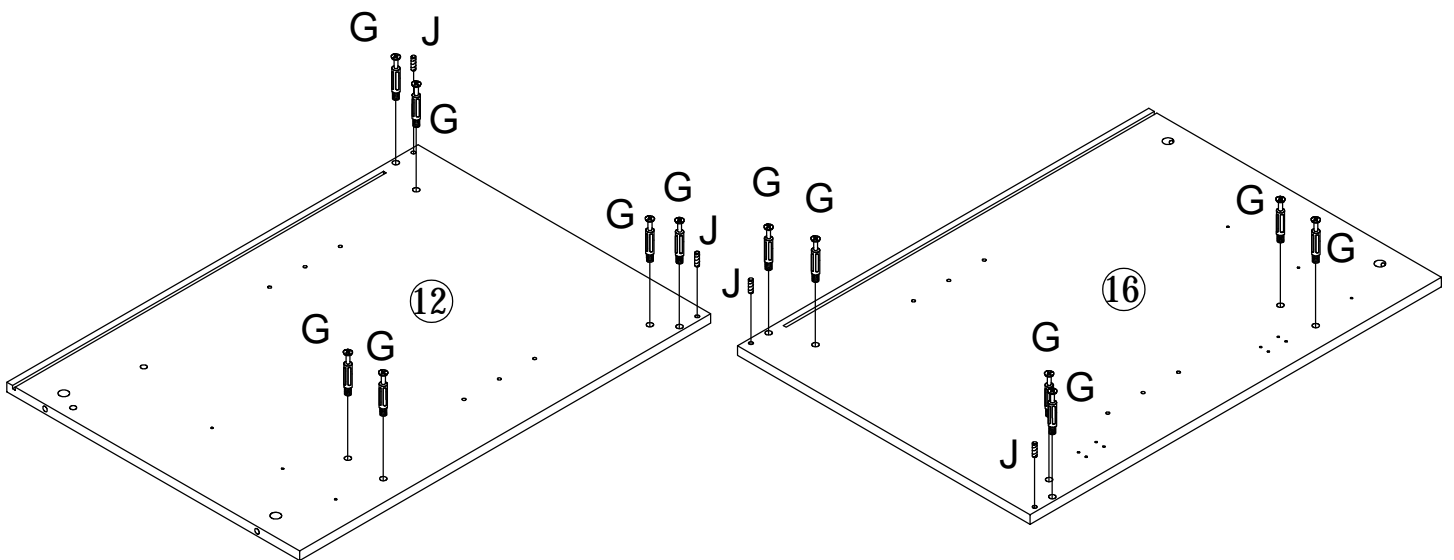



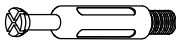
H 15mm



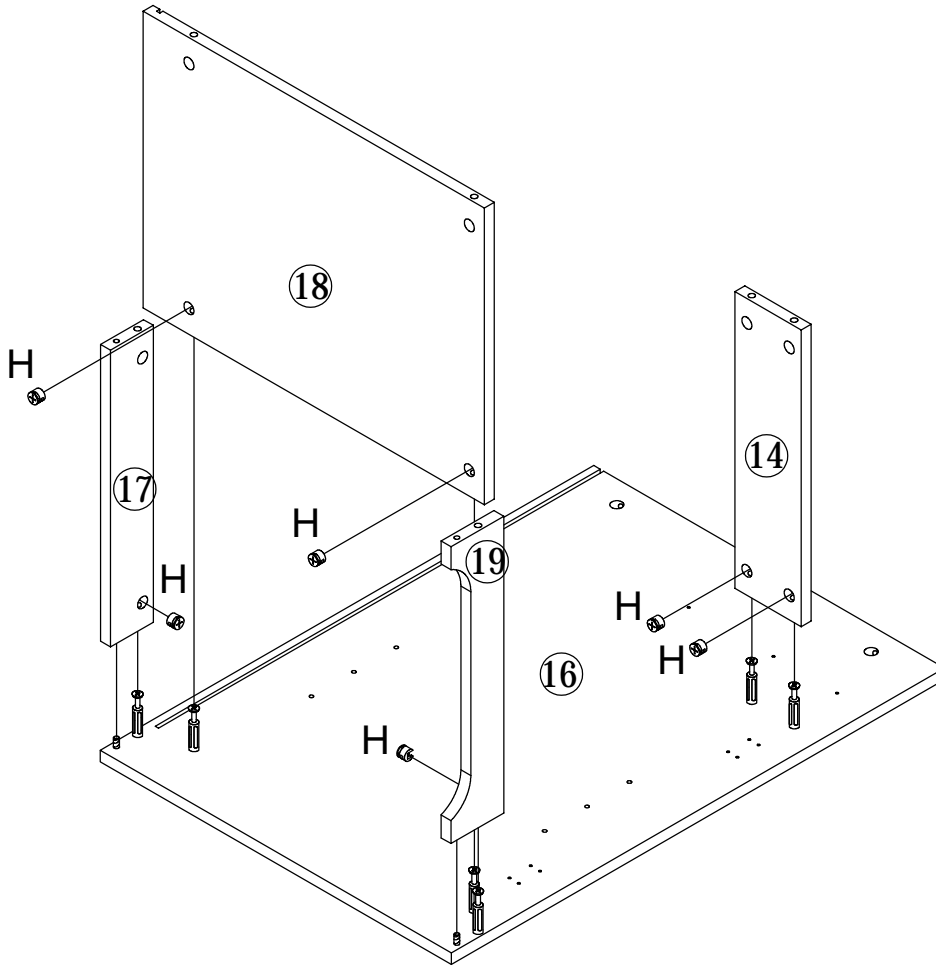
x6


10



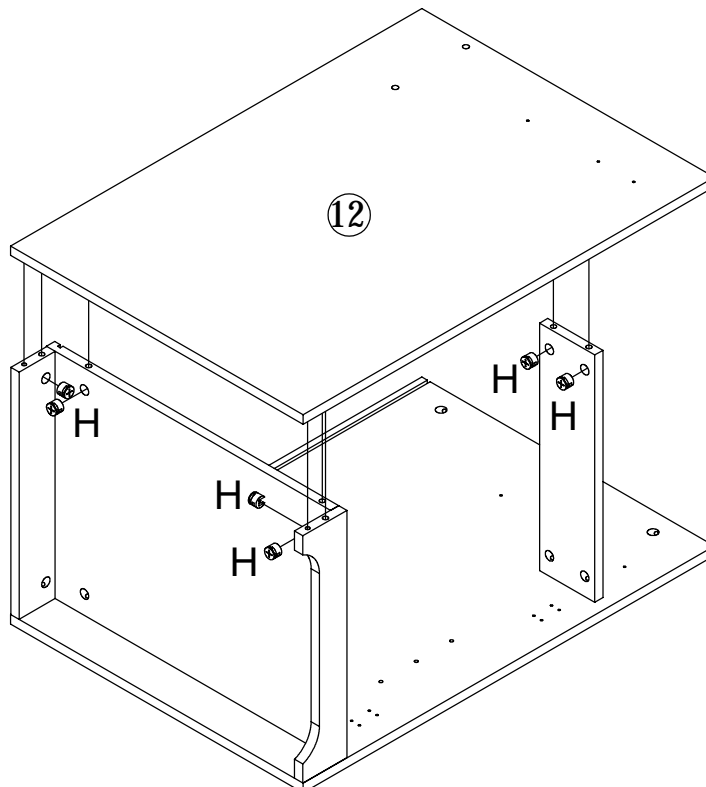
<p>J</p>  <p>Ø6x30mm</p> <p>x4</p>	<p>G</p>  <p>40mm</p> <p>x12</p>
---	---


11



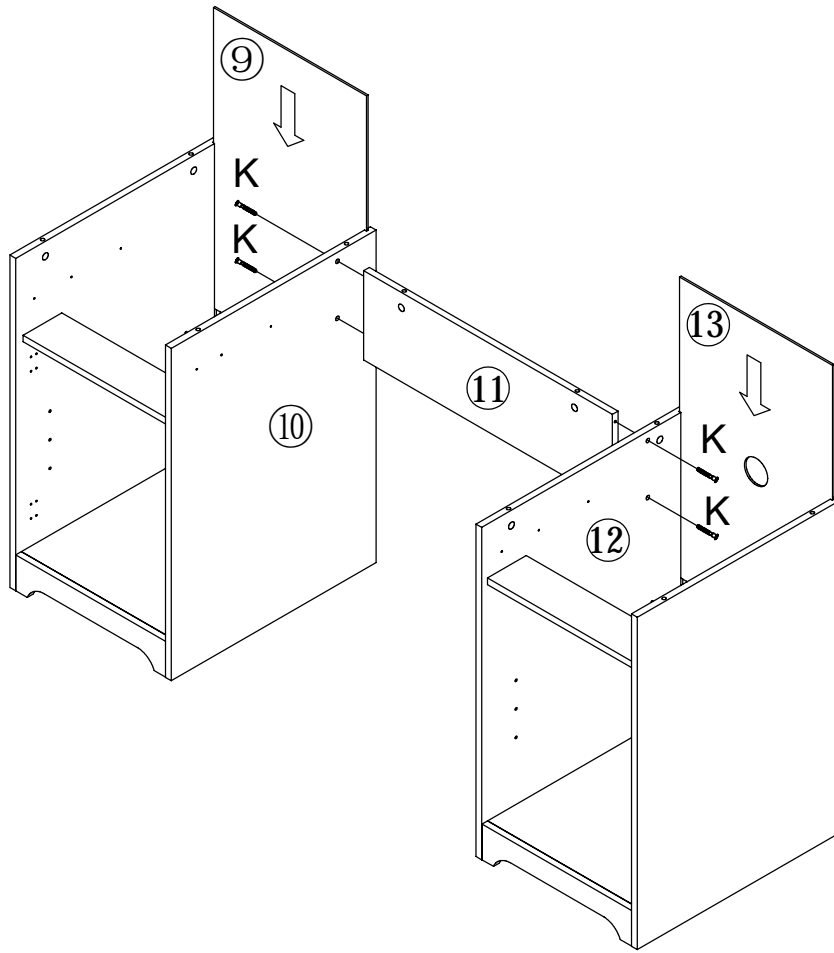
H 15mm

x6

12

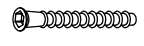


H 15mm

x6

13

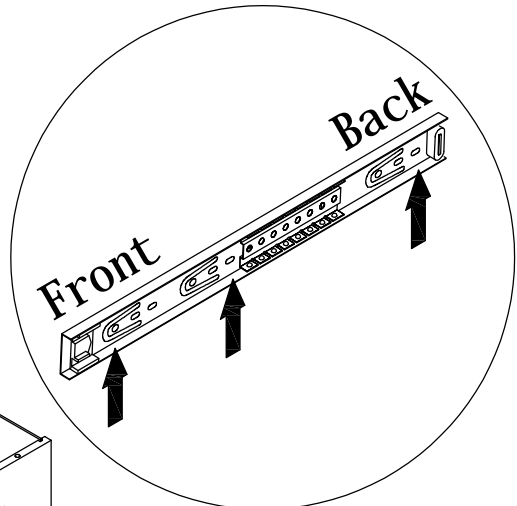
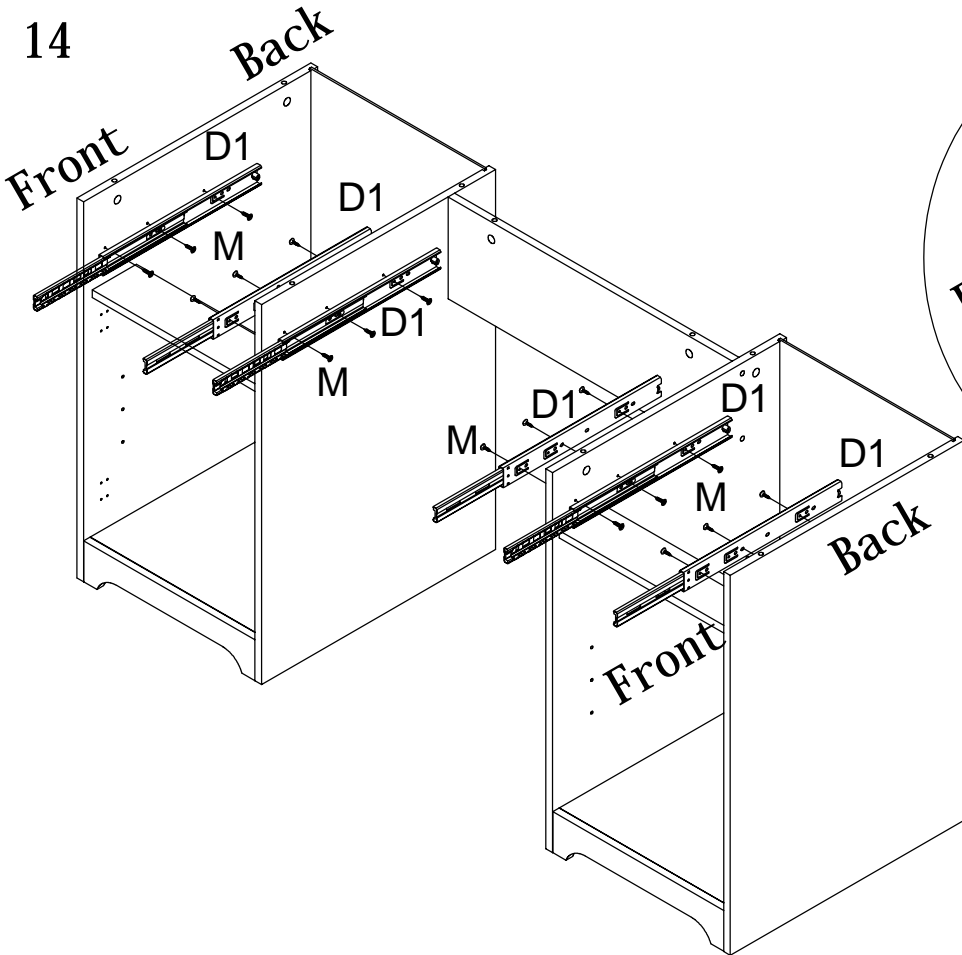


K

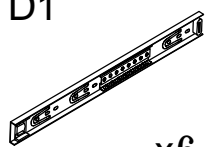


x4

14




D1



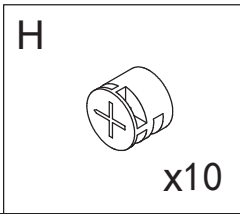
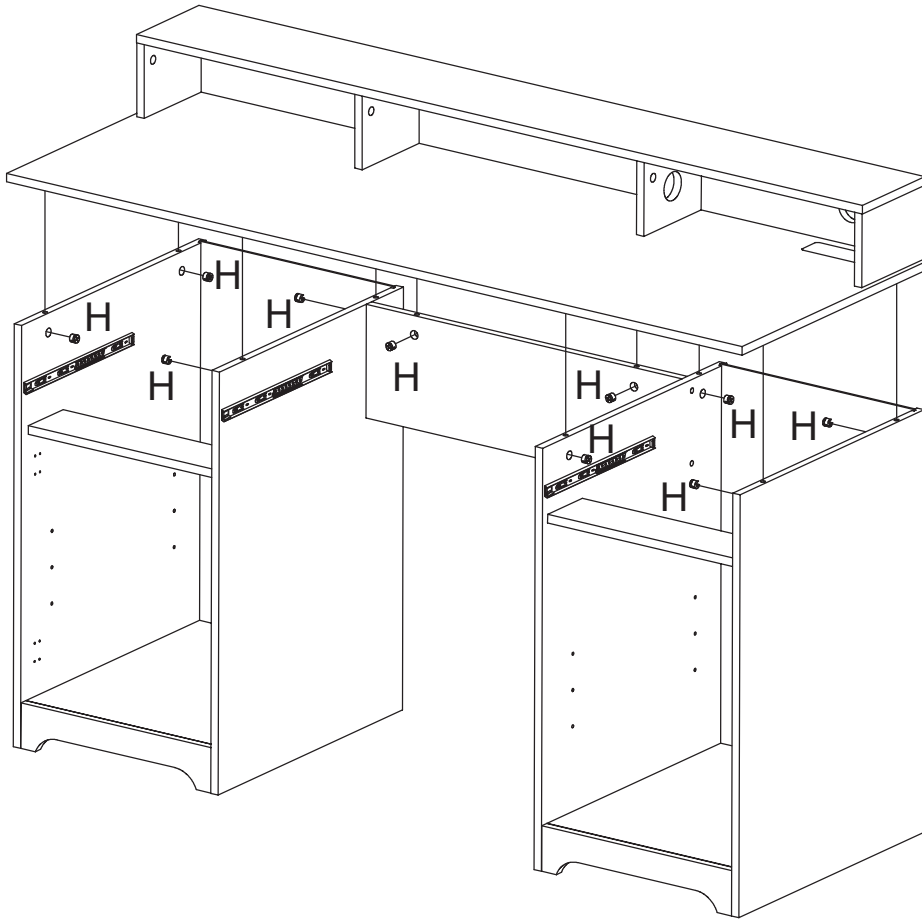
x6

M

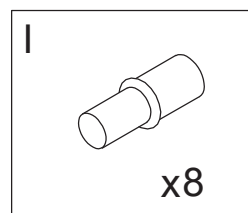
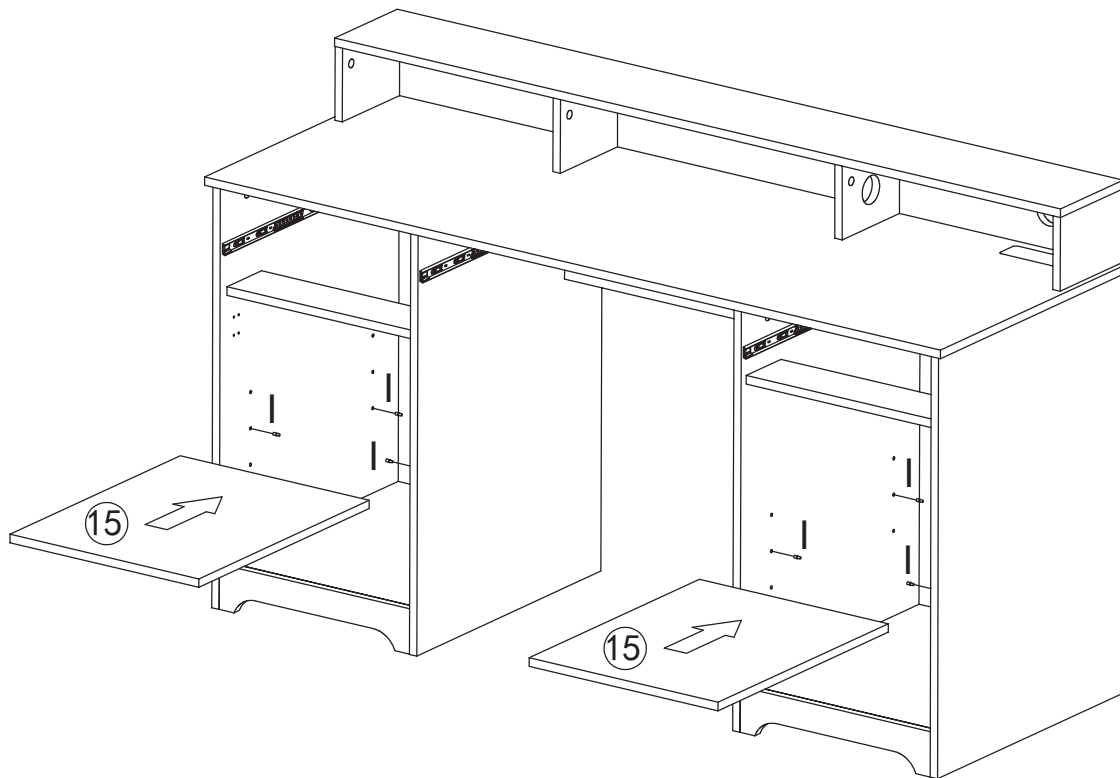


ø3x14mm
x18

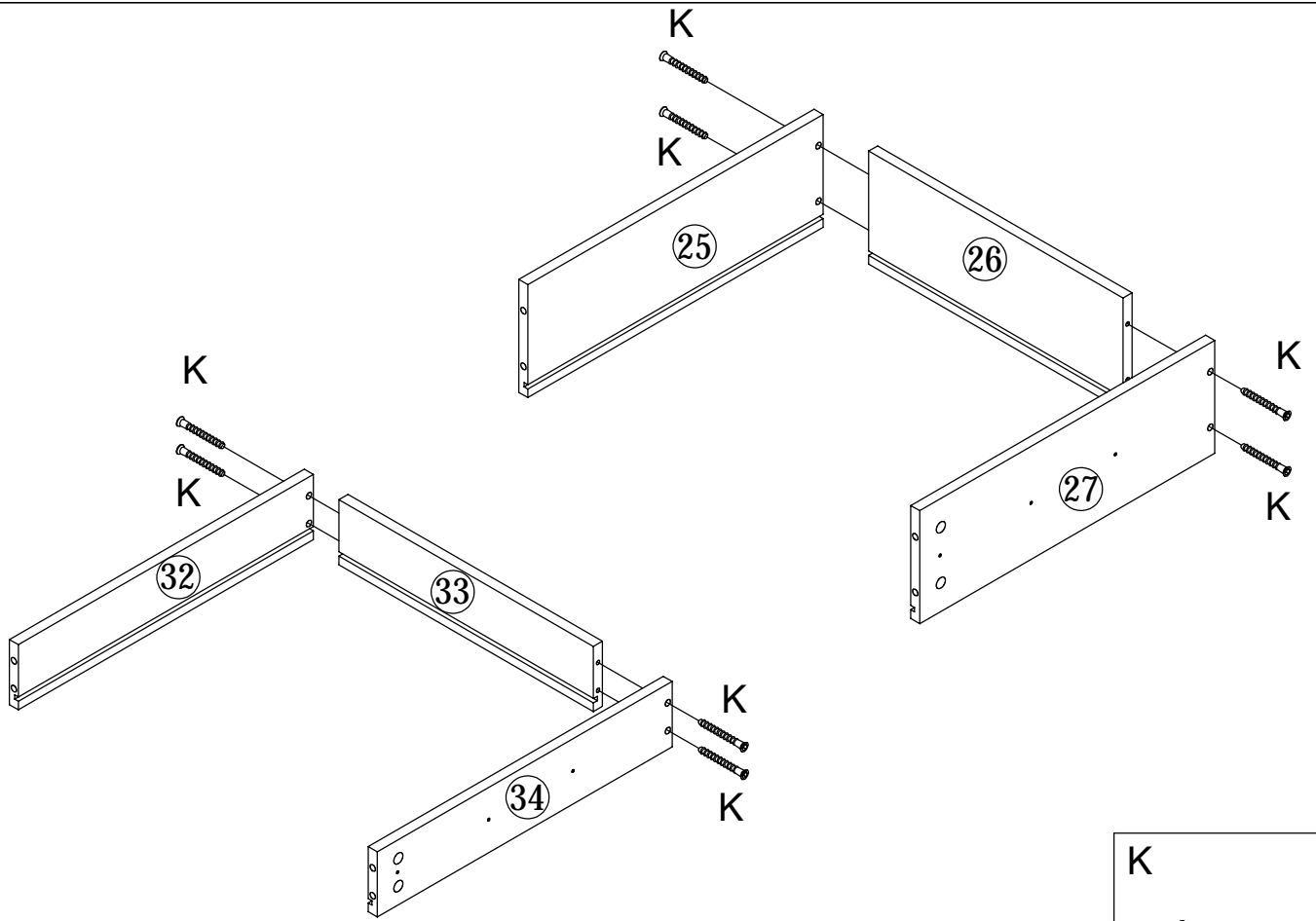
15



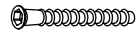
16



17

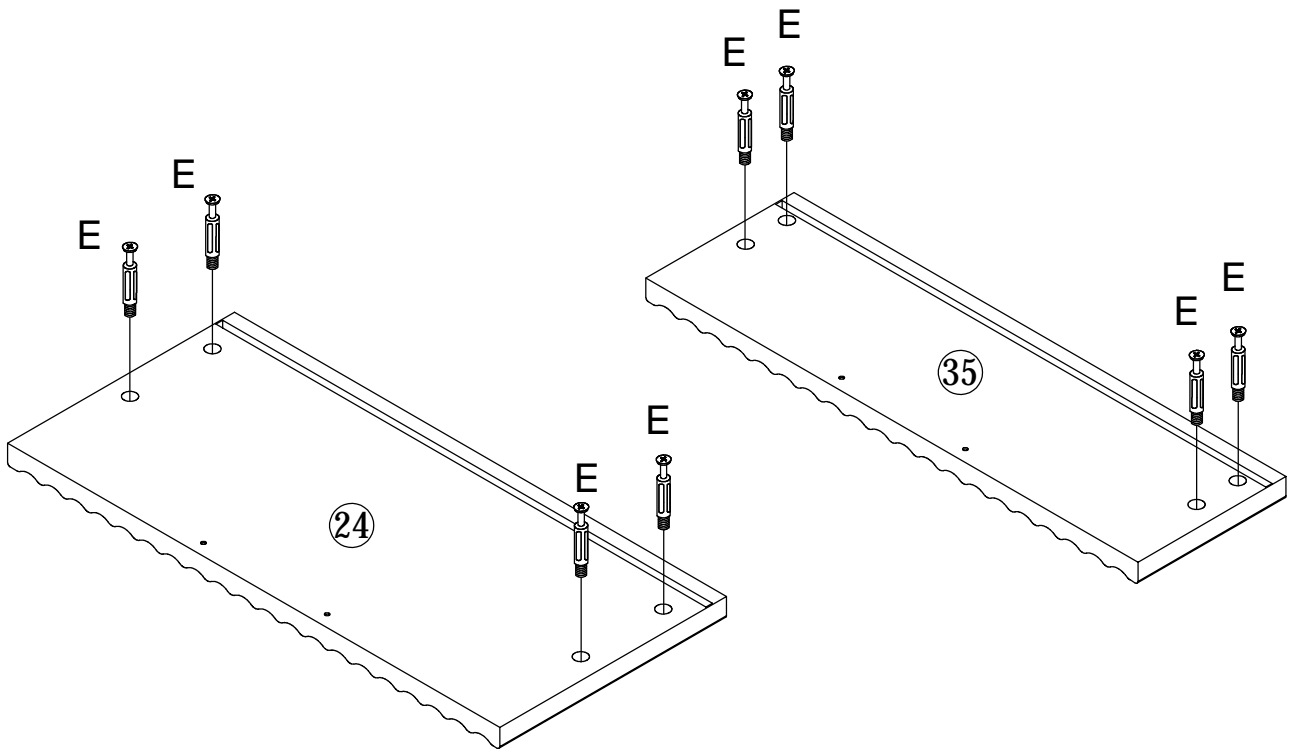


K

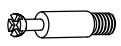


x8

18



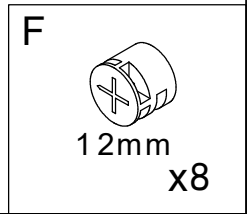
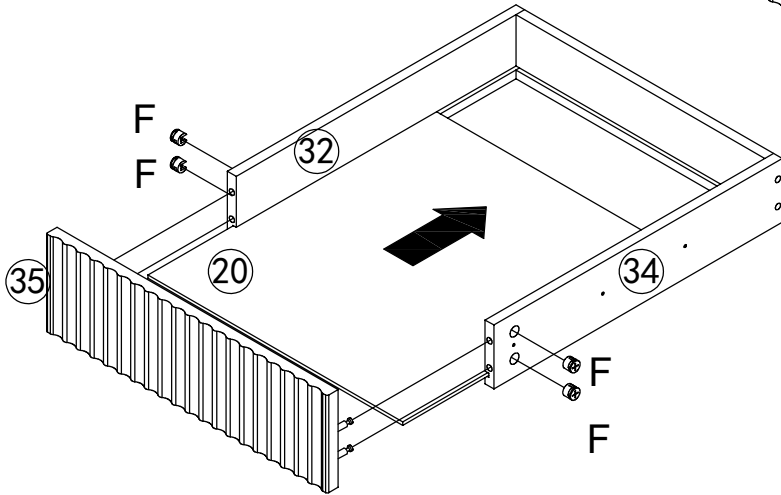
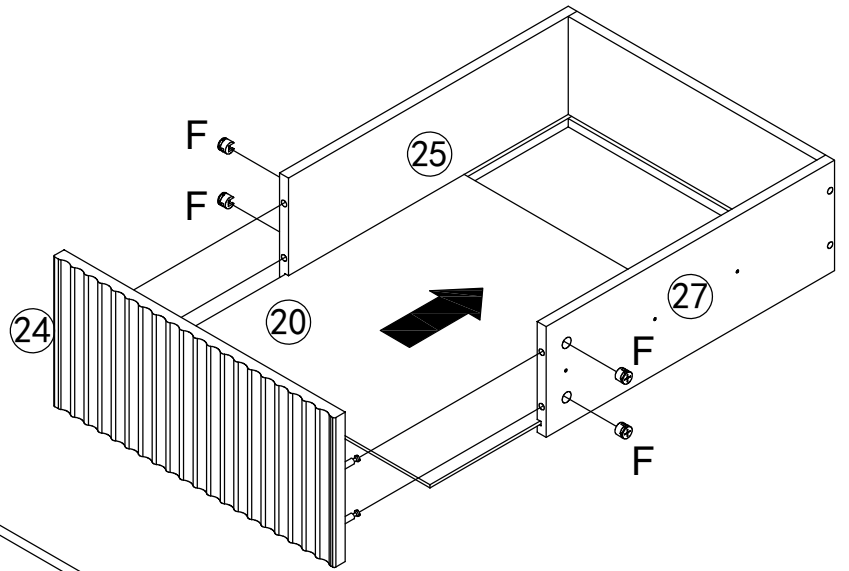
E



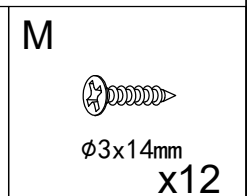
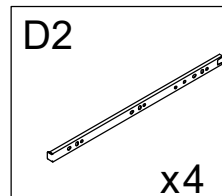
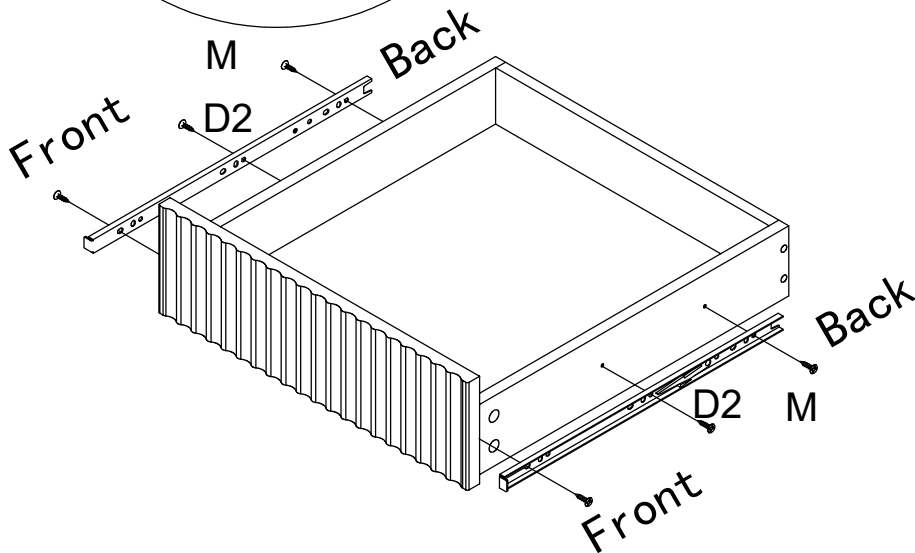
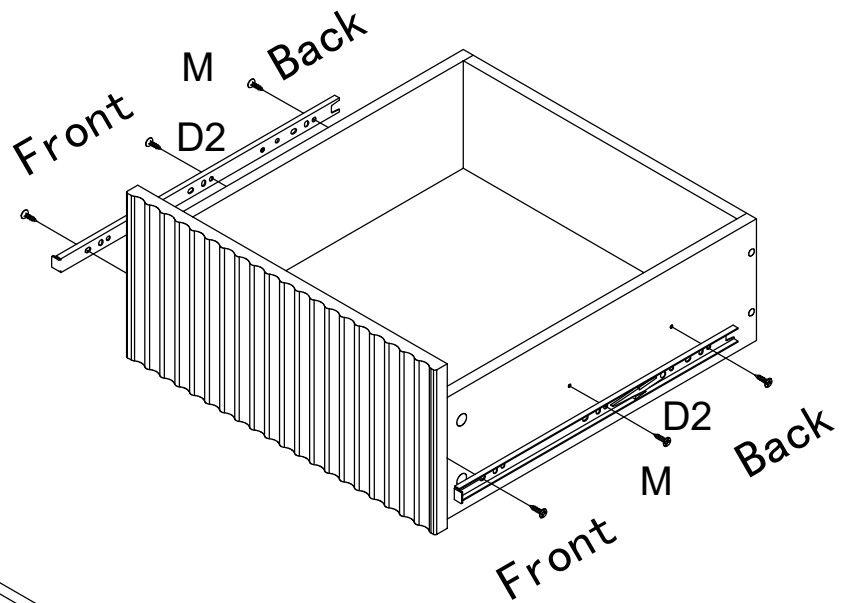
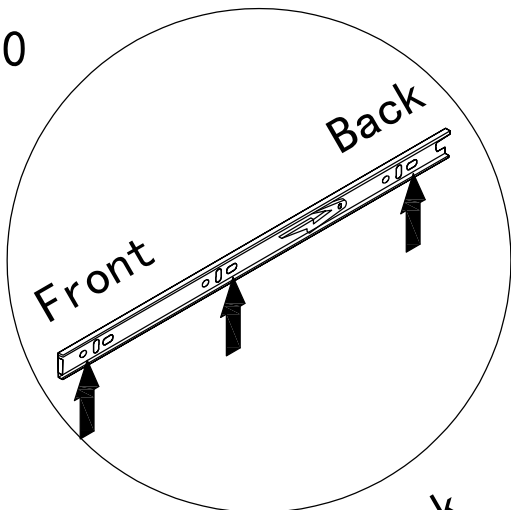
28mm

x8

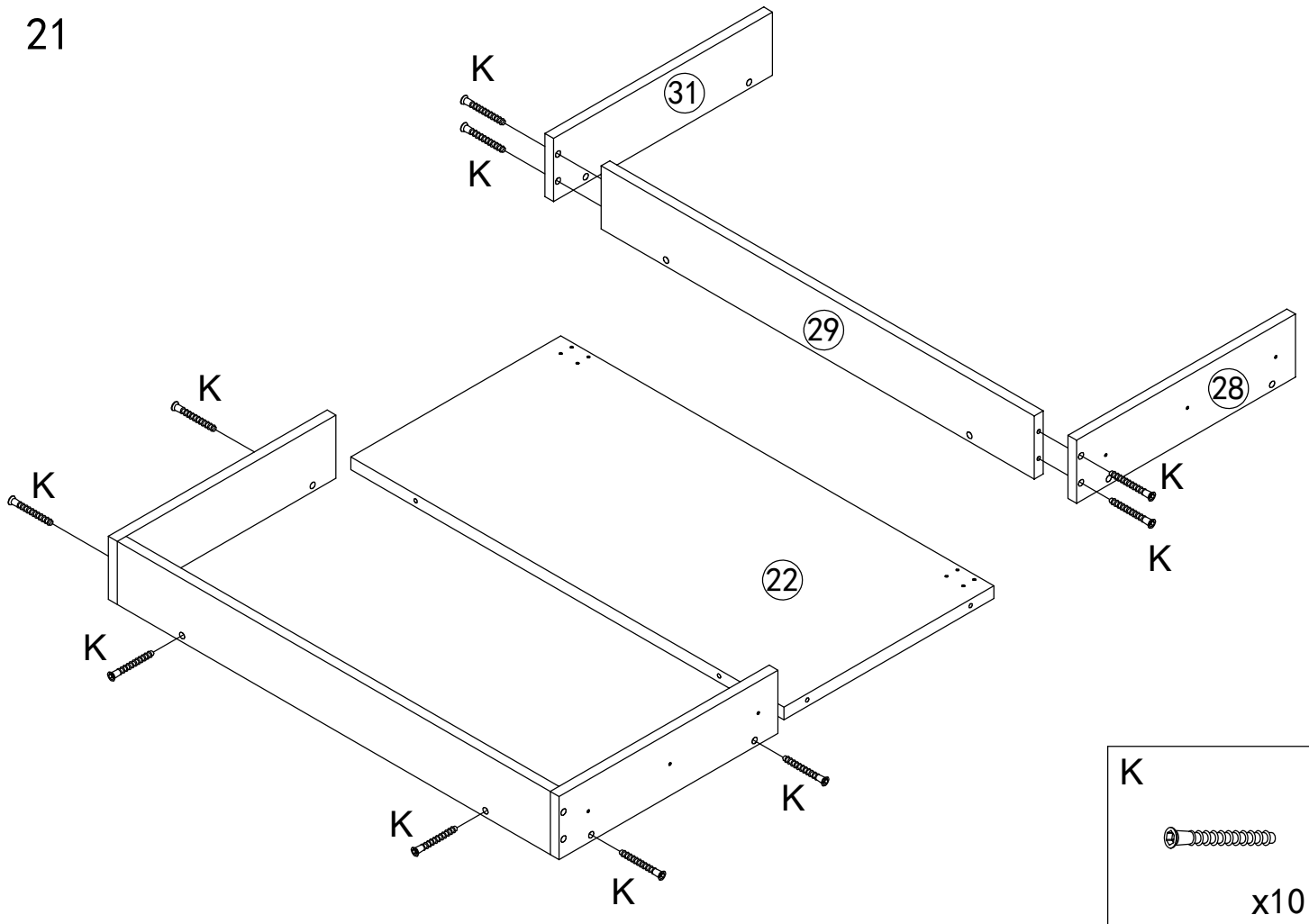
19



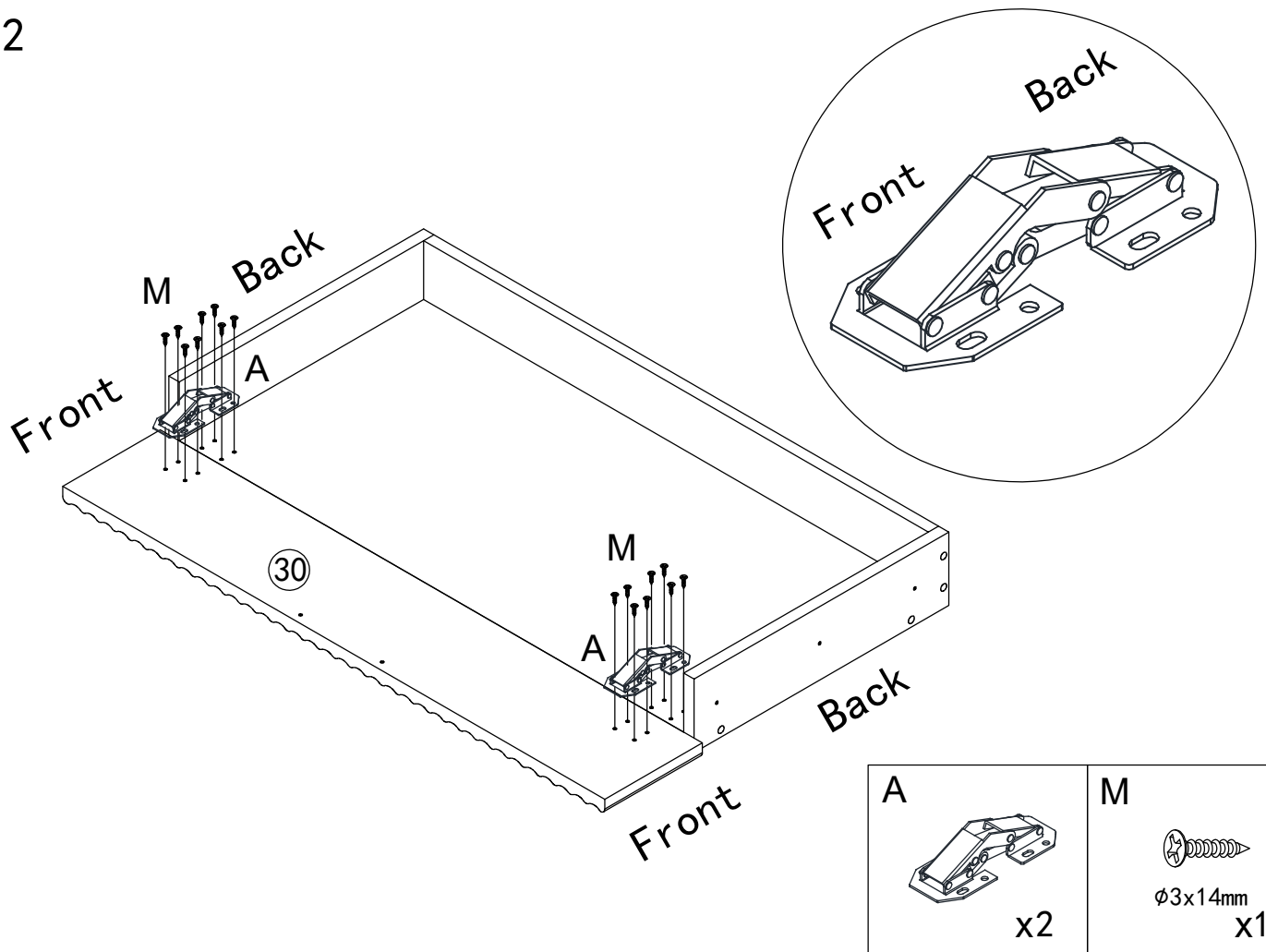
20



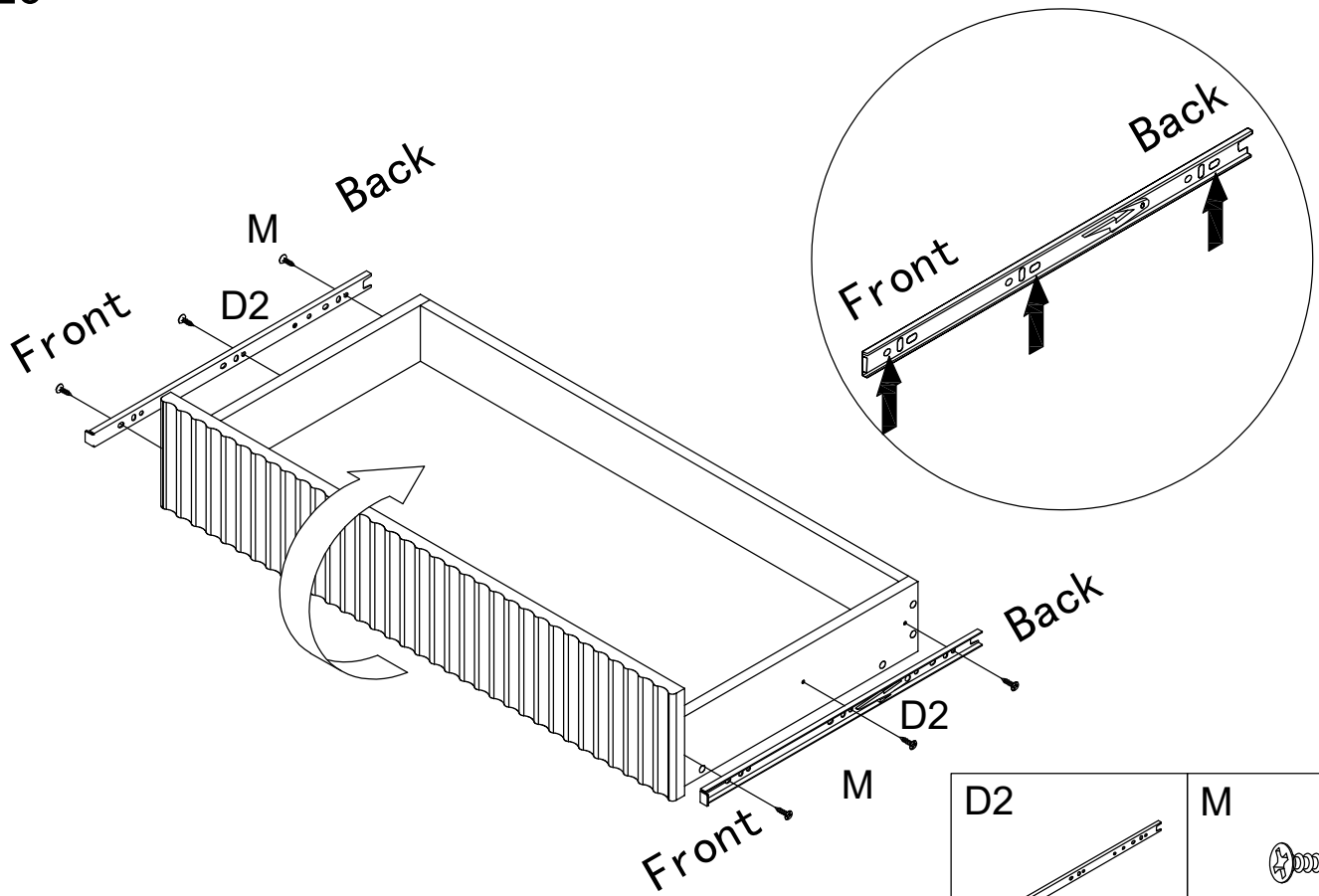
21

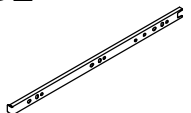



22

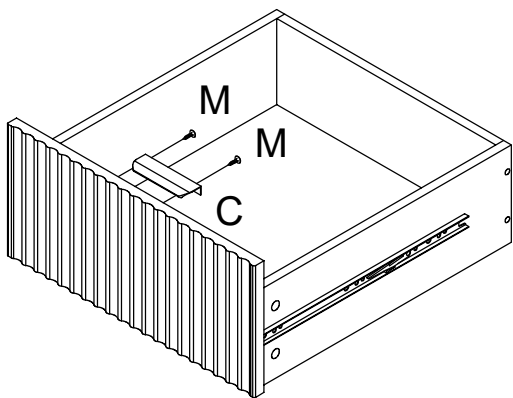
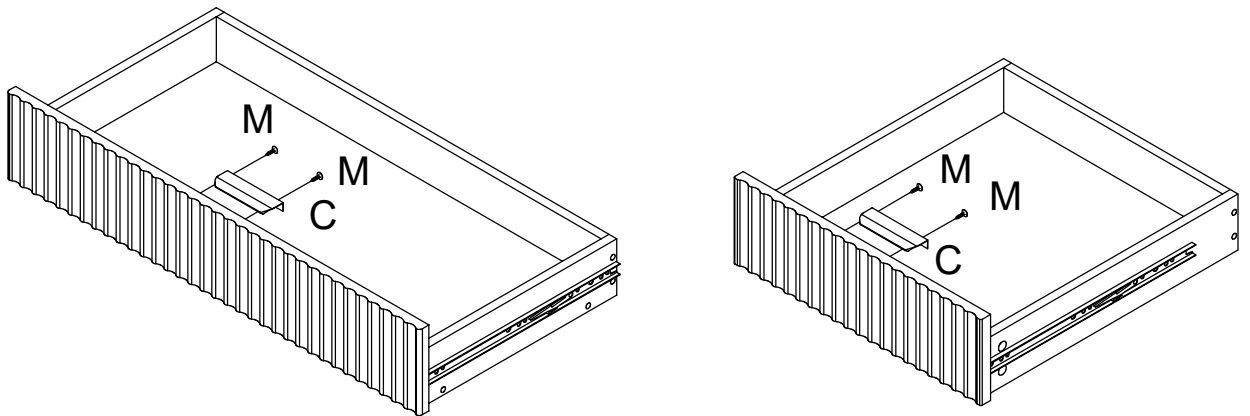


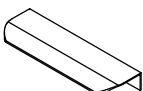

23



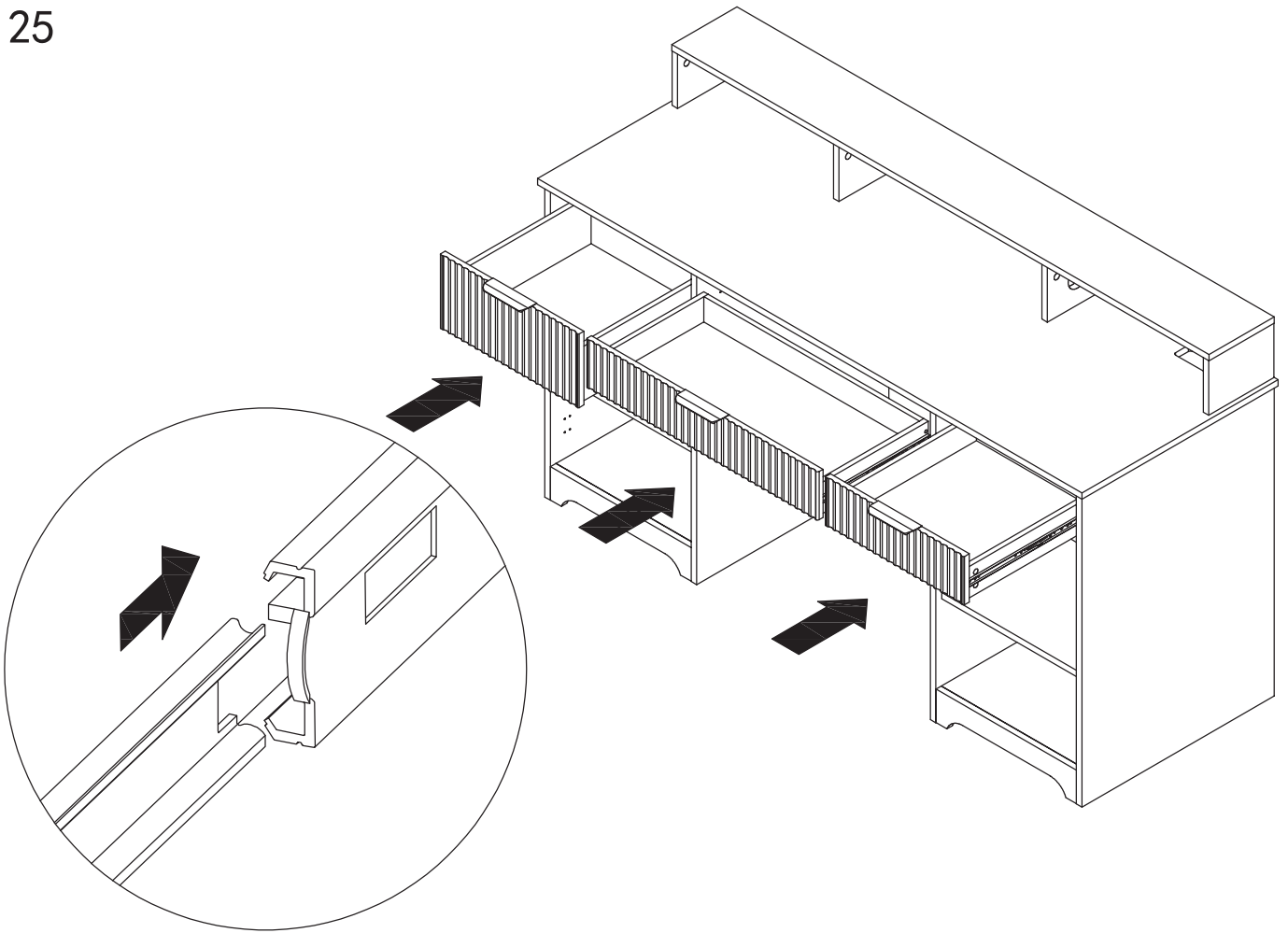
D2  x2	M  Ø3x14mm x6
---	---

24

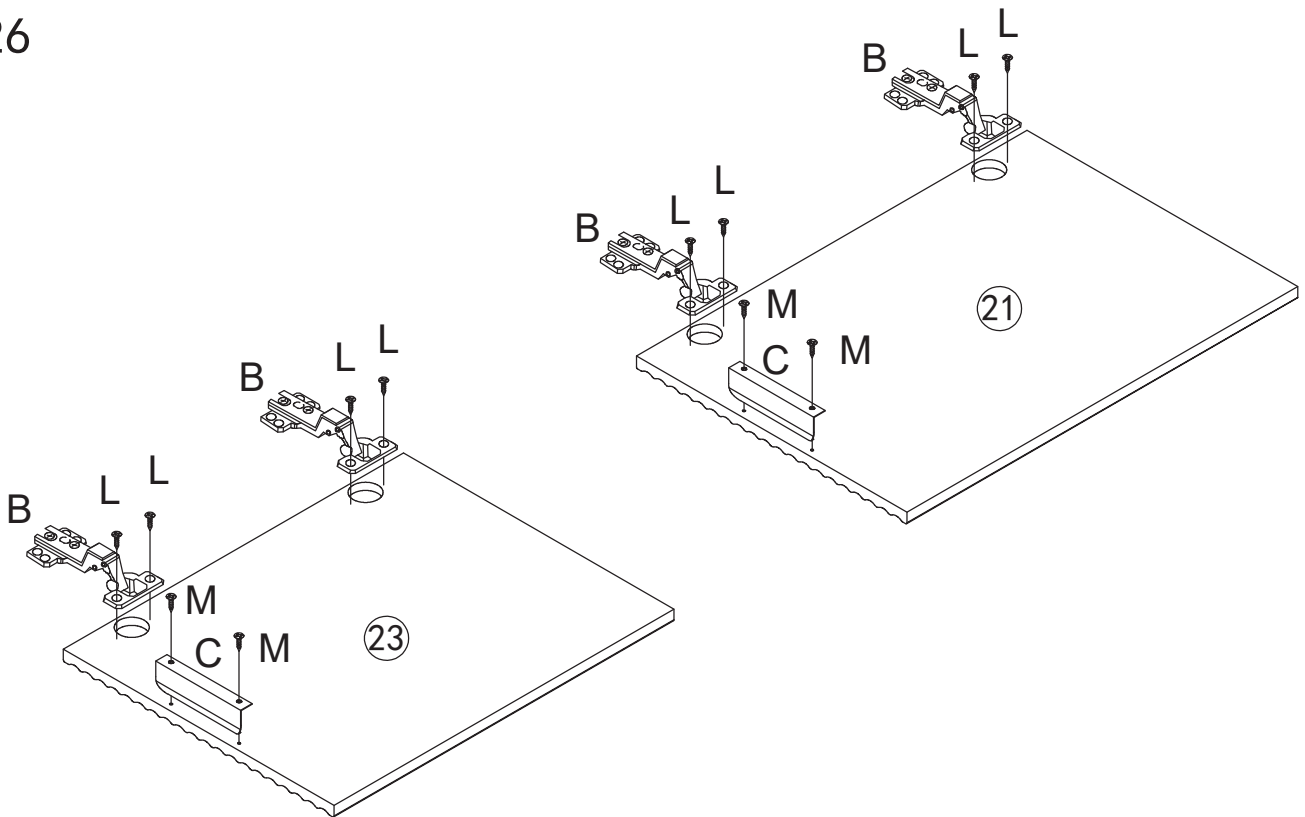


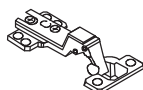
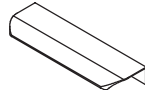


C  x3	M  Ø3x14mm x6
---	--

25

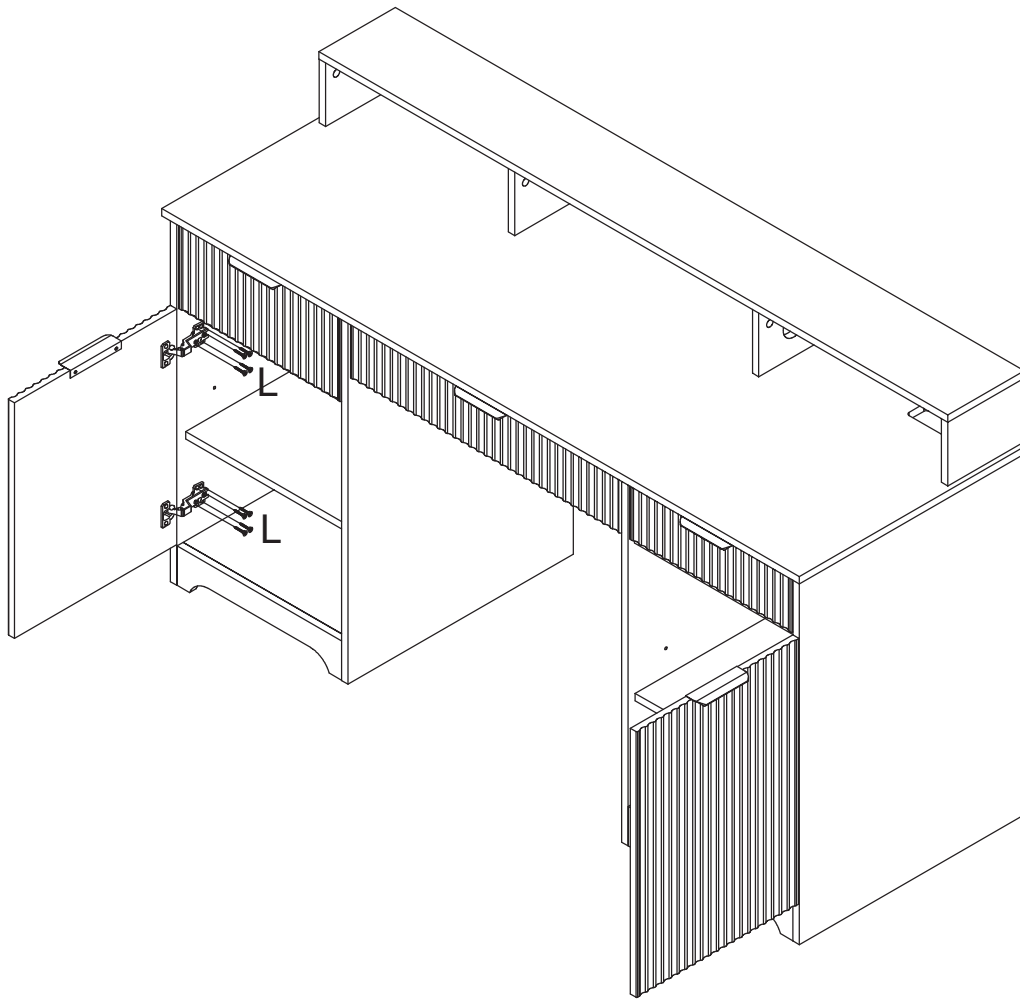


26




B  x4	C  x2	L  ø3.5x14mm x8	M  ø3x14mm x4
---	--	--	--

27

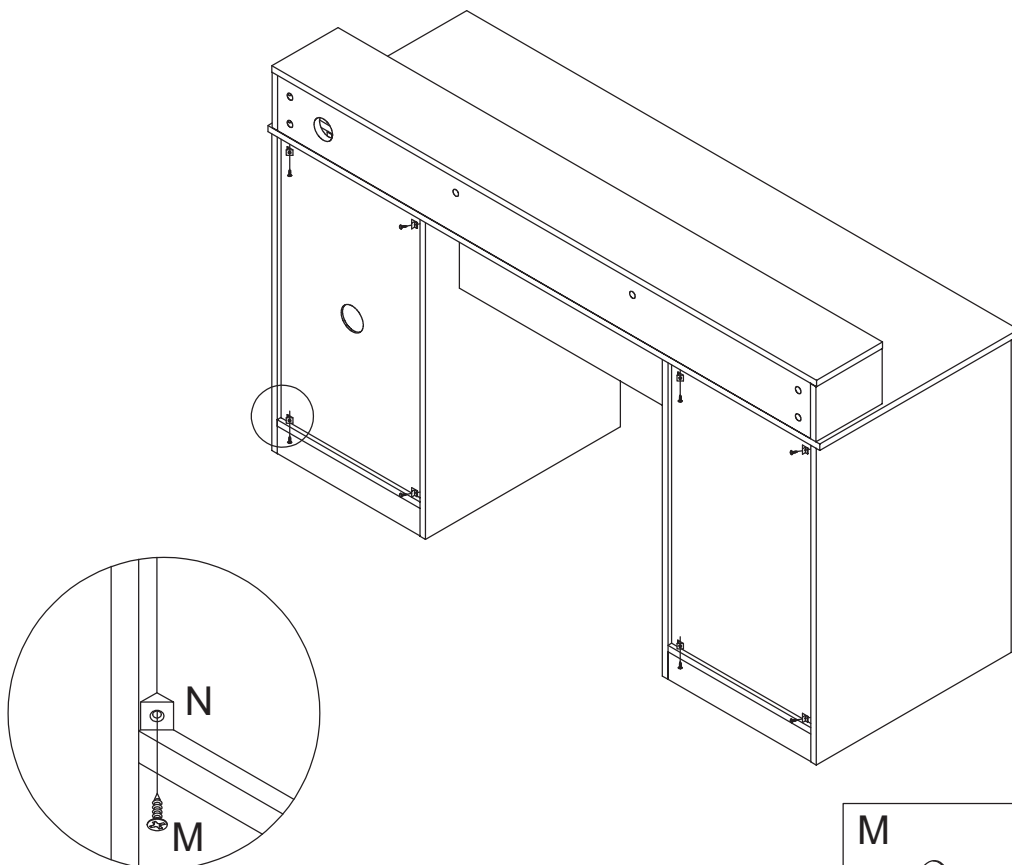


L




ø3.5x14mm
x16

28

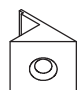


M



ø3x14mm
x8

N



x8