



ASSEMBLY INSTRUCTIONS

UltraHD® Tall 30 in. Storage Cabinet (Model No. 20162, 20163)

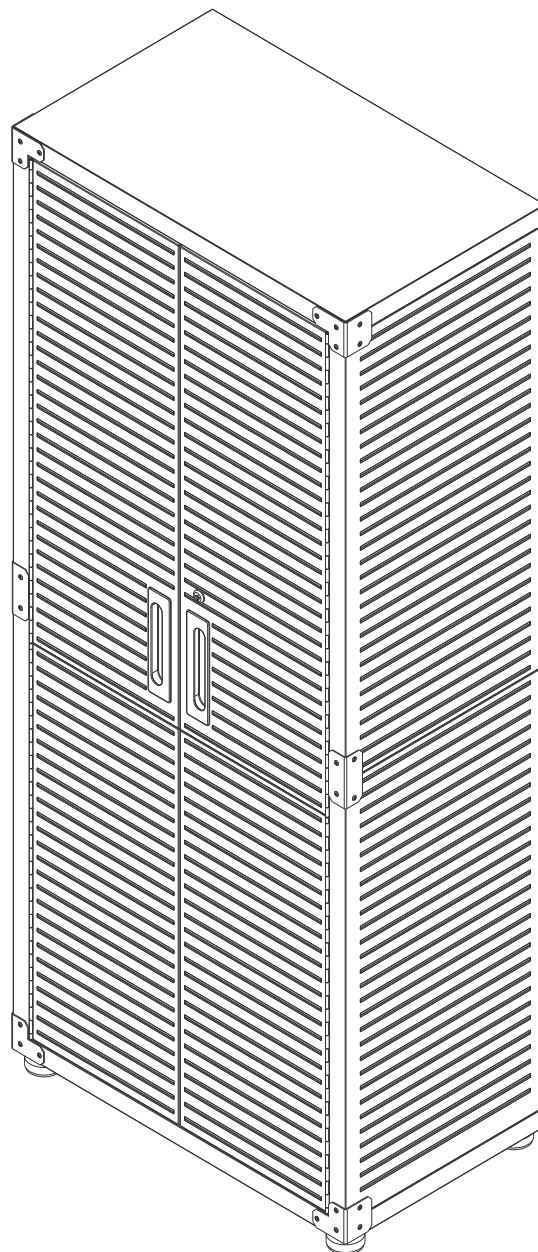
Granite Graphite

30 in. W X 18 in. D X 72 in. H
(76.2 cm x 45.72 cm x 1.83 m)

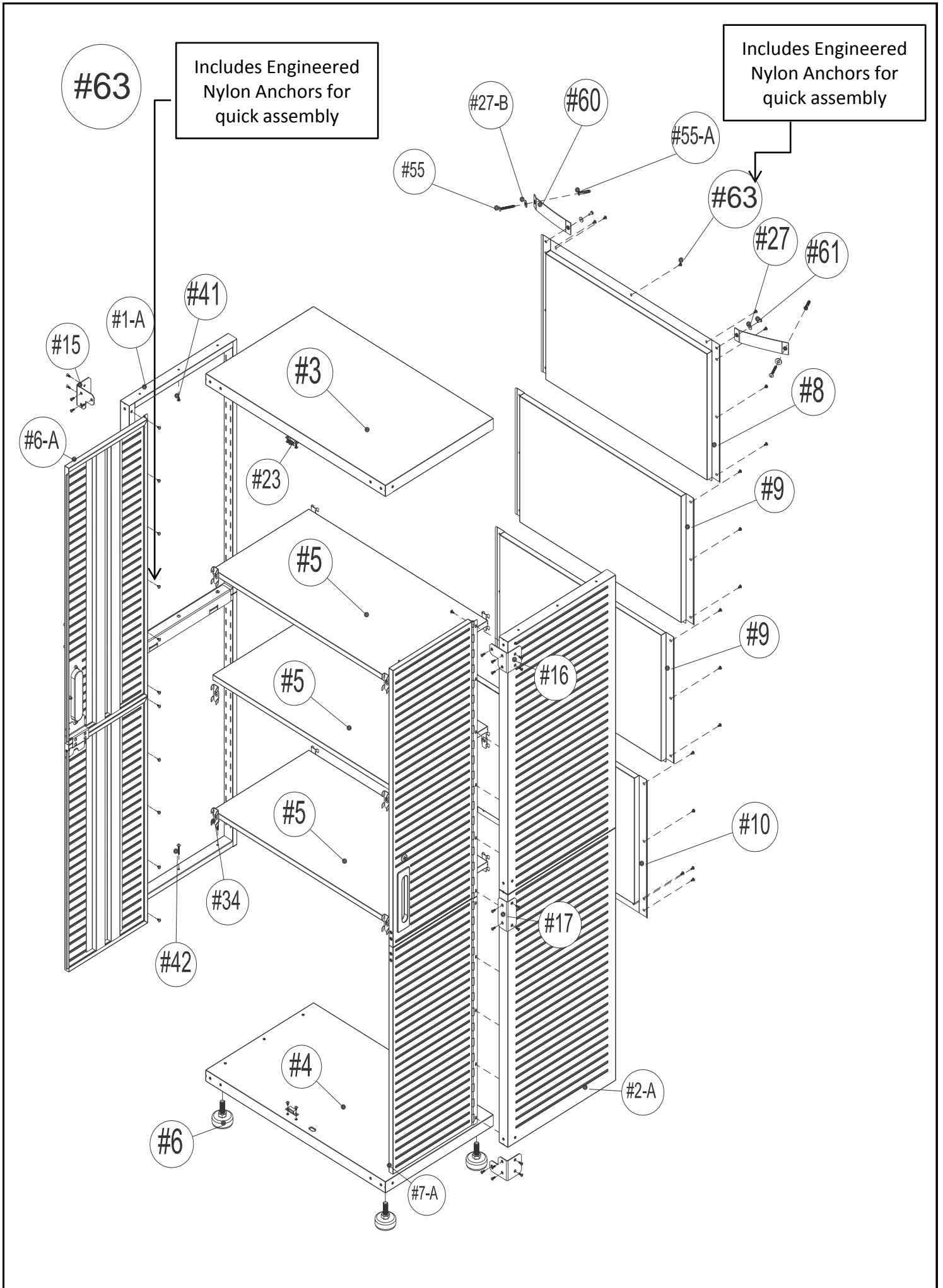
ULTRAGUARD®

FINGERPRINT RESISTANT SURFACES
AND INCREASED DURABILITY

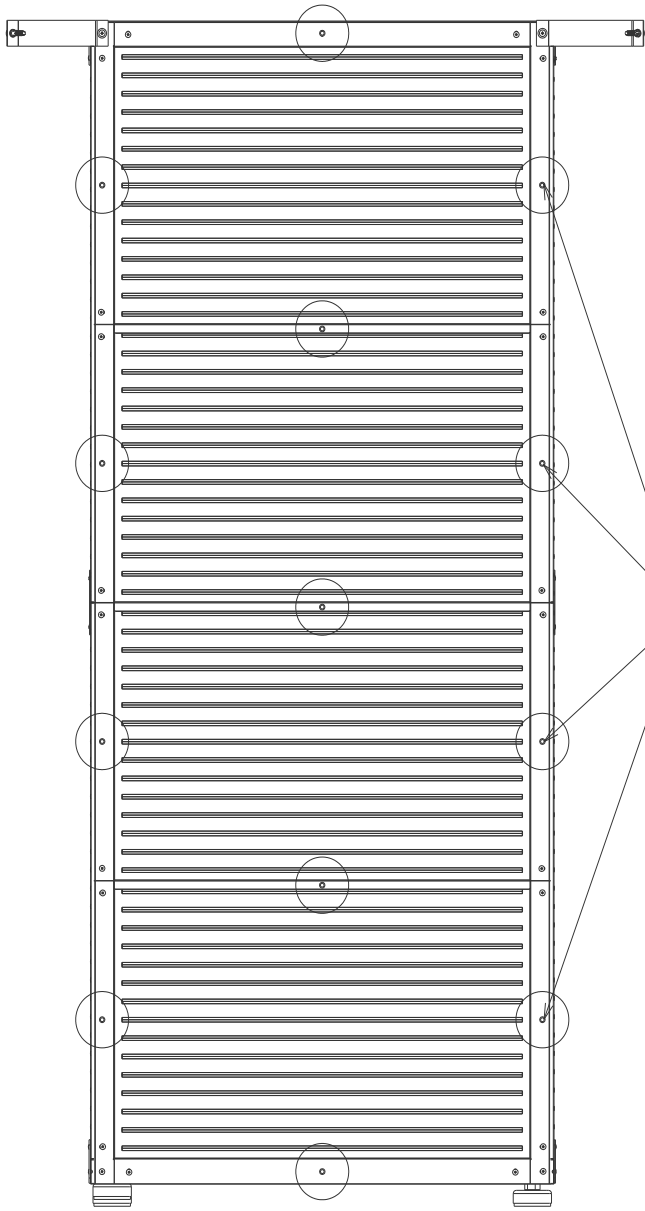
Reference page 13 for special care
and maintenance of stainless steel



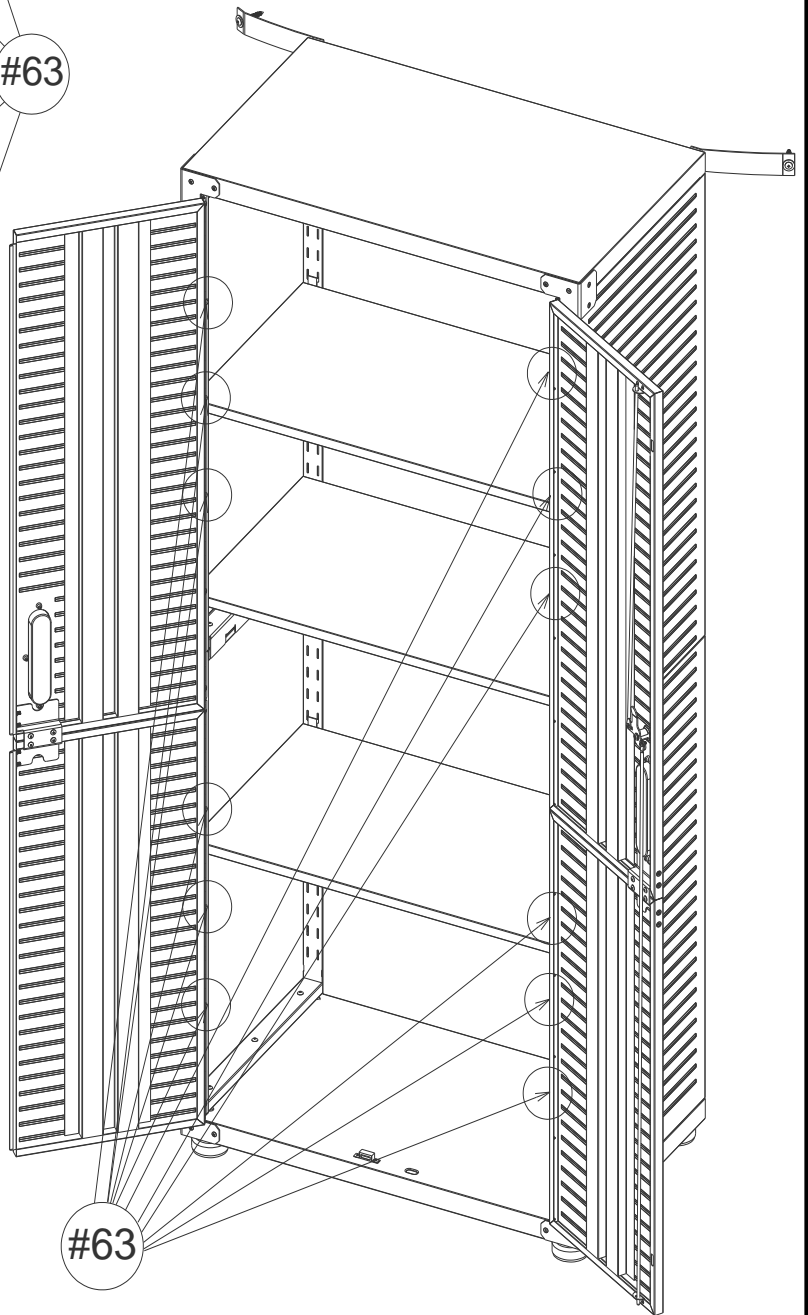
Includes Engineered
Nylon Anchors for quick
assembly



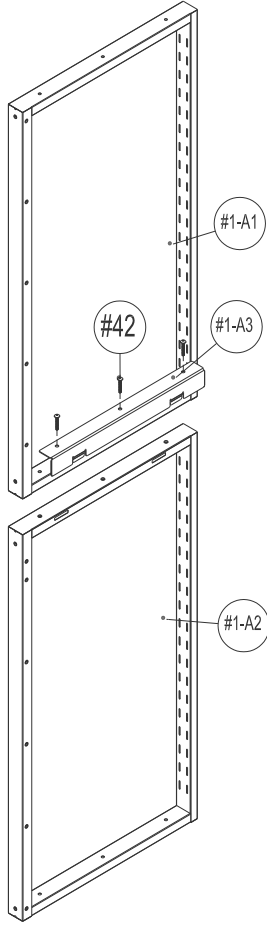
“Quick assembly”



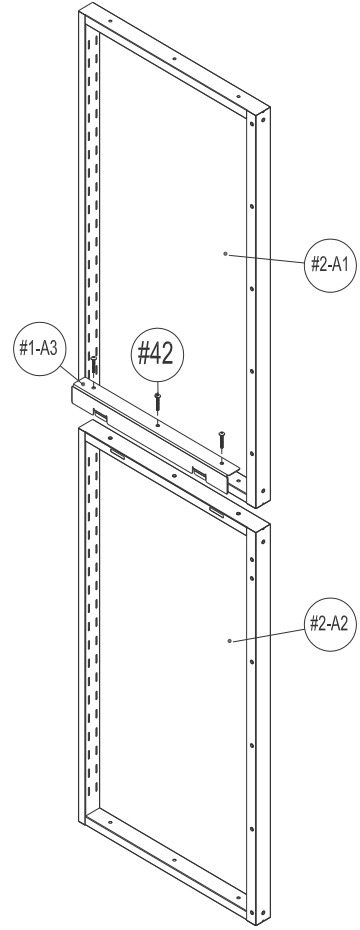
Includes Engineered
Nylon Anchors for
quick assembly



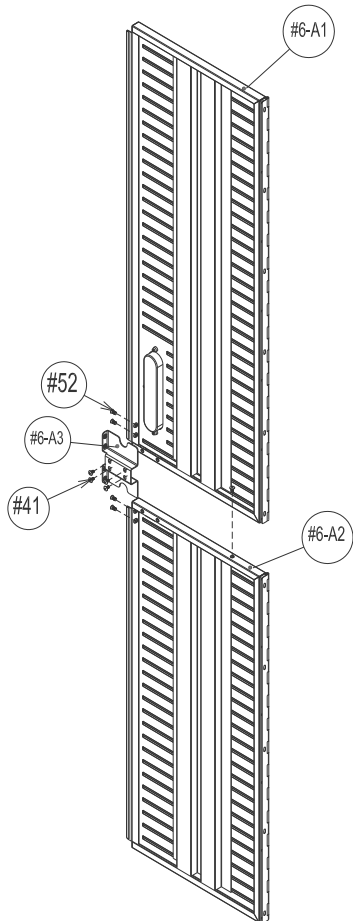
(#1-A) Left Side Panel



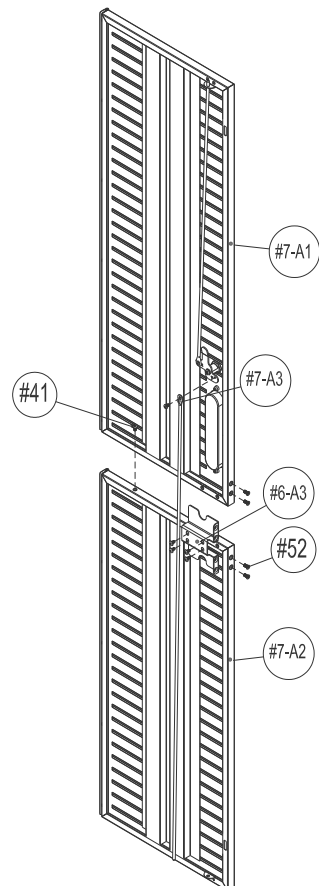
(#2-A) Right Side Panel



(#6-A) Left Door

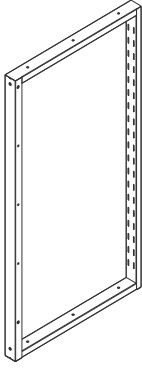


(#7-A) Right Door

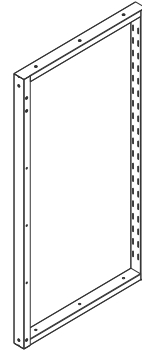


PARTS LIST

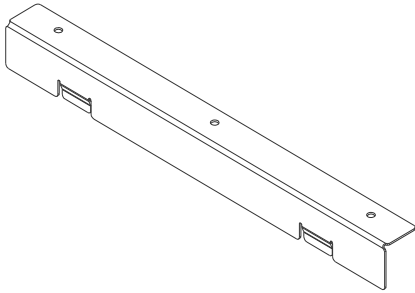
Please check the parts carefully according to the parts list. If you are missing any parts, please contact our customer service department. (Please refer to page 14.)



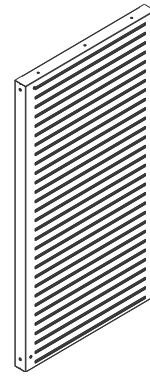
(#1-A1) Left Side - Upper Panel x 1 PC



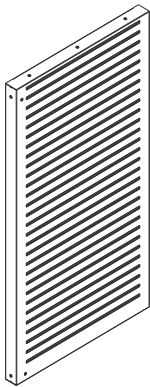
(#1-A2) Left Side - Bottom Panel x 1 PC



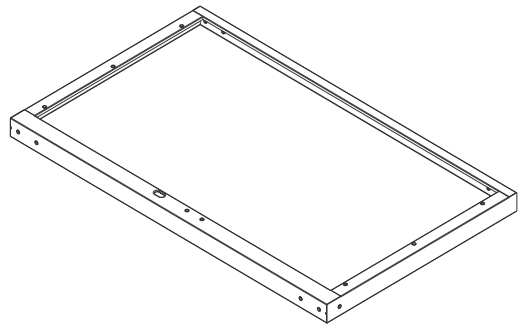
(#1-A3) Side Panel Reinforcement Connection Part x 2 PCS



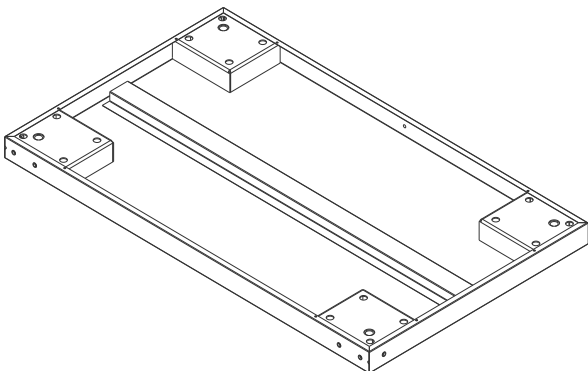
(#2-A1) Right Side - Upper Panel x 1 PC



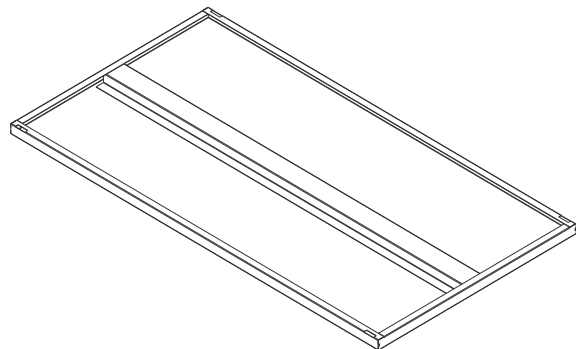
(#2-A2) Right Side - Bottom Panel x 1 PC



(#3) Top Panel x 1 PC



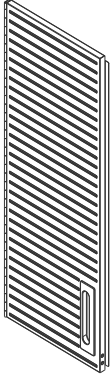
(#4) Bottom Panel x 1 PC



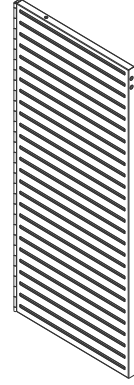
(#5) Middle Shelf x 3 PCS

PARTS LIST

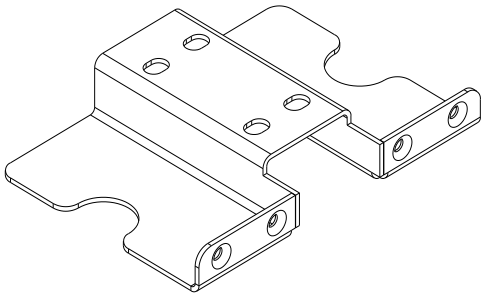
Please check the parts carefully according to the parts list. If you are missing any parts, please contact our customer service department. (Please refer to page 14.)



(#6-A1) Left Door - Upper Panel x 1 PC



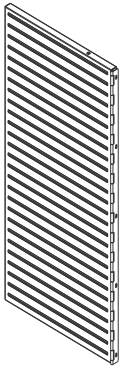
(#6-A2) Left Door - Bottom Panel x 1 PC



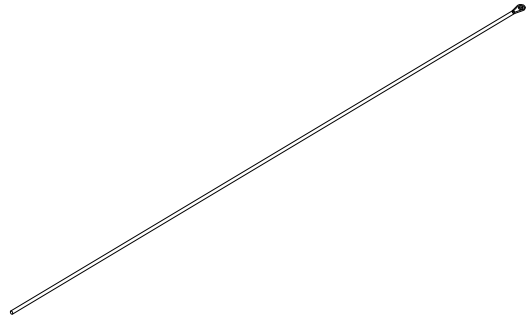
(#6-A3) Door Panel Connection Part x 2 PCS



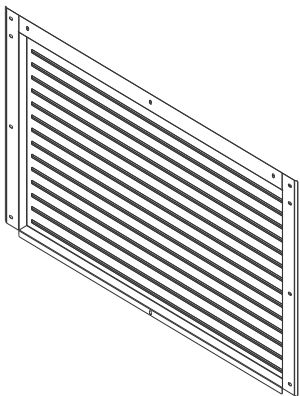
(#7-A1) Right Door - Upper Panel x 1 PC



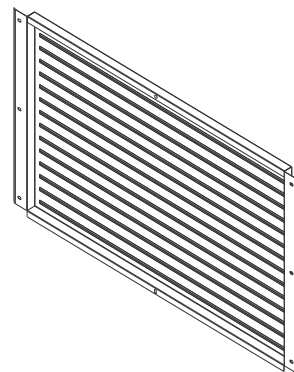
(#7-A2) Right Door - Bottom Panel x 1 PC



(#7-A3) Key Rod x 1 PC



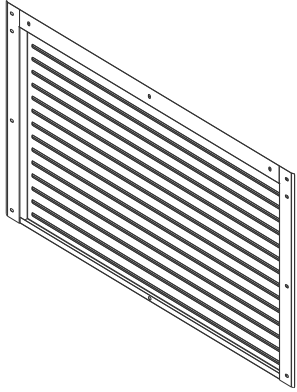
(#8) Upper Back Panel x 1 PC



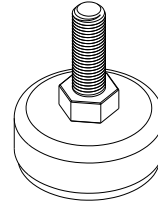
(#9) Middle Back Panel x 2 PCS

PARTS LIST

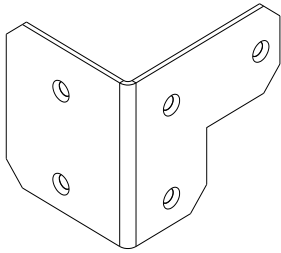
Please check the parts carefully according to the parts list. If you are missing any parts, please contact our customer service department. (Please refer to page 14.)



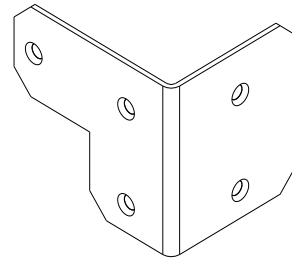
(#10) Bottom Back Panel x 1 PC



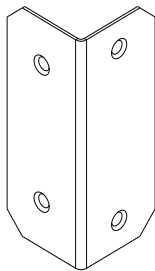
(#6) Leveling Feet x 4 PCS



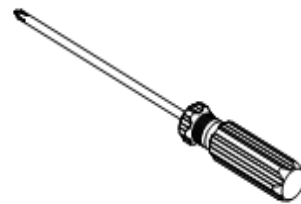
(#15) Corner Protection - A x 2 PCS



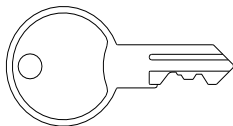
(#16) Corner Protection - B x 2 PCS



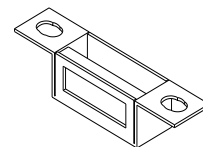
(#17) Middle Corner Protection x 2 PCS



(#21) Screwdriver x 1 PC



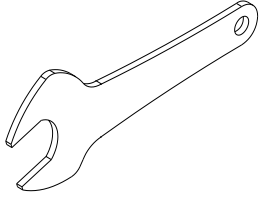
(#22) Key x 2 PCS



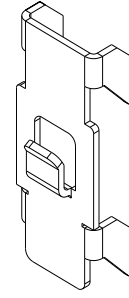
(#23) Magnet x 2 PCS

PARTS LIST

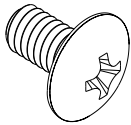
Please check the parts carefully according to the parts list. If you are missing any parts, please contact our customer service department. (Please refer to page 14.)



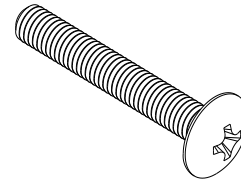
(#25) Wrench x 1 PC



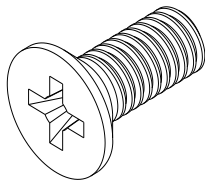
(#34) Hook x 12 PCS



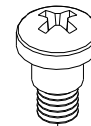
(#41) Screw F (M4 x 8L) x 54 PCS



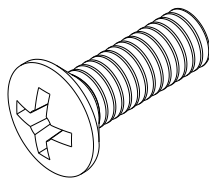
(#42) Screw G (M4 x 30L) x 12 PCS



(#52) Screw K (M5 x 10L) x 8 PCS

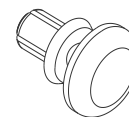


(#53) Screw L (M4 x 6L) x 1 PC



(#54) Screw N (M4 x 10L) x 28 PCS

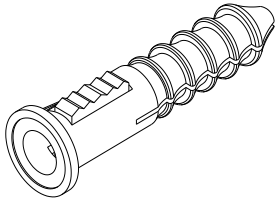
Included for quick assembly



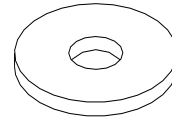
(#63) Engineered Nylon Anchor x 25 PCS

PARTS LIST

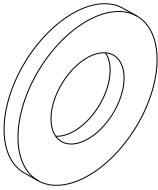
Please check the parts carefully according to the parts list. If you are missing any parts, please contact our customer service department. (Please refer to page 14.)



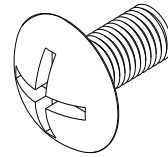
(#55-A) Wall Anchor x 2 PCS



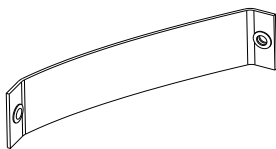
(#27) WASHER (M4) x 2 PCS



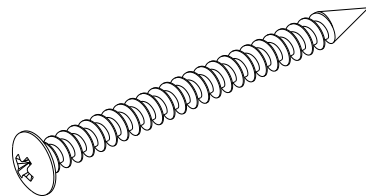
(#27-B) WASHER (M8) x 2 PCS



(#61) Screw O (M4 x 12L) x 2 PCS



(#60) Mounting Strap x 2 PCS



(#55) Screw M (M6 x 50L) x 2 PCS

UltraHD® Tall 30 in. Storage Cabinet (Model No. 20162, 20163)



*NOTE: We recommend using TWO people to assemble the cabinet.



TIP: A magnetic screwdriver is included for your convenience. If using a power screwdriver, keep torque setting on LOW during assembly.

WARNING: Some parts may have sharp edges. To avoid injury, wearing gloves is recommended during assembly.

Step 1: Install Left Side Panel (#1-A)

Place the Left Side - Upper Panel (#1-A1) and Left Side - Bottom Panel (#1-A2) together. Insert the Side Panel Reinforcement Connection Part (#1-A3) into the slot of the Left Side - Upper Panel. Use 3 pcs of Screw G (#42) to tighten from the top side.

Note: Make sure the Left Side Upper Panel (#1-A1) is flushed with Left Side Bottom Panel (#1-A2).

Step 2: Install Right Side Panel (#2-A)

Repeat Step 1, use Right Side Upper Panel (#2-A1), Right Side Bottom Panel (#2-A2), Side Panel Reinforcement Connection Part (#1-A3), and 3 pcs Screw G (#42) to install Right Side Panel (#2-A).

Step 3: Install Left Door (#6-A)

1). Place Left Door - Upper Panel (#6-A1) and Left Door - Bottom Panel (#6-A2) together, line up screw holes, use 1 pc Screw F (#41) to tighten from the side.

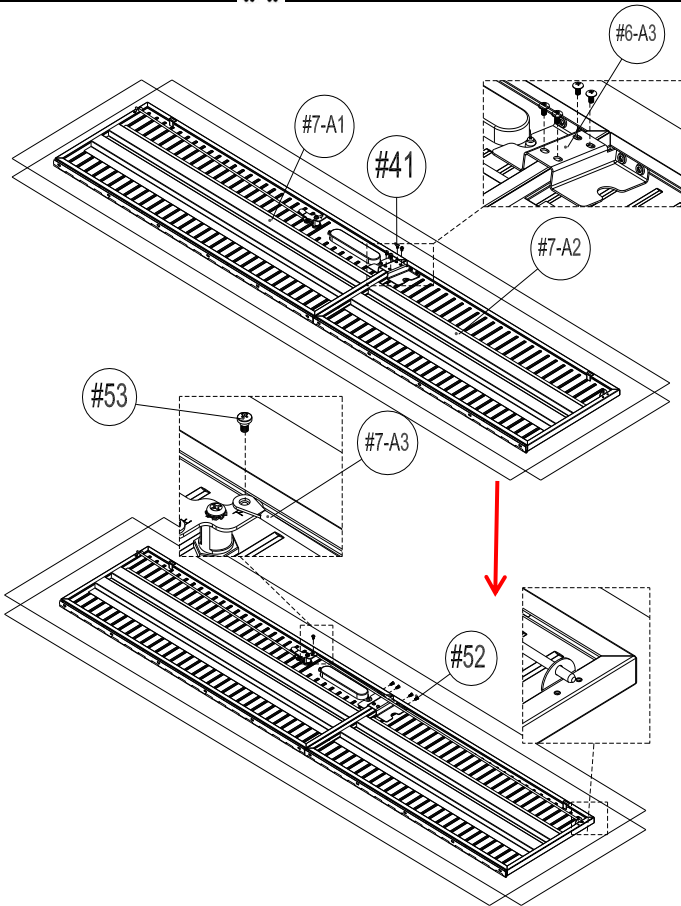
2). Place the Door Panel Connection Part (#6-A3) over the touching sides, line up the screw holes, use 4 pcs Screw F (#41) to tighten from the top, and use 4 pcs Screw K (#52) to tighten from outside edge.

Note: Make sure the Left Door - Upper Panel (#6-A1) is flushed with Left Door - Bottom Panel (#6-A2).

UltraHD® Tall 30 in. Storage Cabinet (Model No. 20162, 20163)



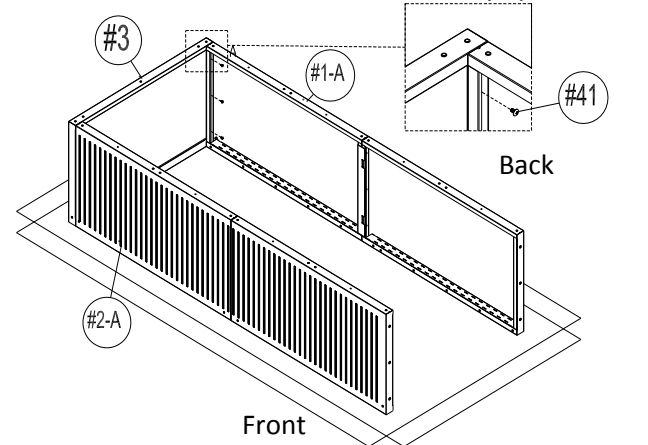
*NOTE: We recommend using TWO people to assemble the cabinet.



Step 4: Install Right Door (#7-A)

Repeat Step 3, use Right Door - Upper Panel (#7-A1), Right Door - Bottom Panel (#7-A2), Door Panel Connection Part (#6-A3). Use 1 pc Screw F (#41) to tighten the touching sides, use 4 pcs Screw F (#41) to tighten from the top touching side, and 4 pcs Screw K (#52) to tighten from outside edge.

Note: Make sure the Right Door - Upper Panel (#7-A1) is flushed with Right Door - Bottom Panel (#7-A2).



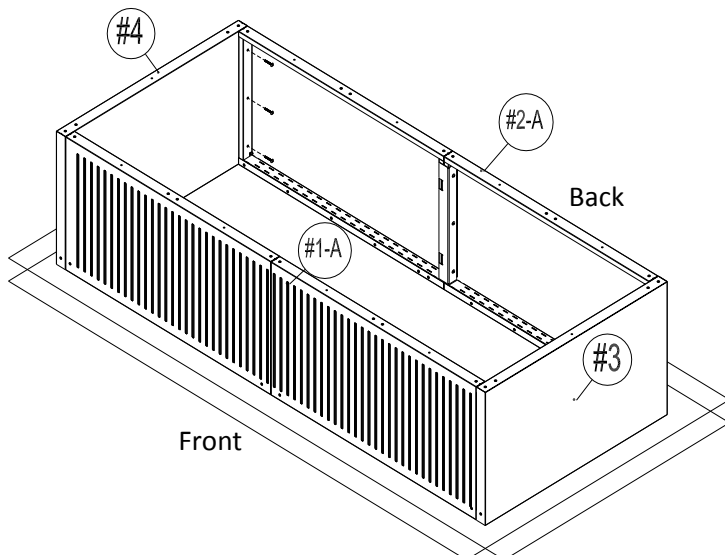
Step 5: Install Key Rod (#7-A3)

Attach and insert Key Rod (#7-A3) into the bottom tab hole of Right Door - Bottom Panel (#7-A2). Twist out the pre-assembled Screw L (#53) on the key rod linkage plate. Attach Key Rod (#7-A3) by lining up the screw hole and tightening back in the Screw L (#53).

Step 6: Install Top Panel (#3) to Left Side Upper Panel (#1-A1) and Right Side Upper Panel (#2-A1)

Attach Top Panel (#3) to Left Side Upper Panel (#1-A1) and Right Side Upper Panel (#2-A1). Make sure the front of the panel faces downward. Line up screw holes, use 6 pcs Screw F (#41) to tighten.

Note: Before tightening screws, make sure the bottom corners of Left Side Upper Panel (#1-A1) and Right Side Upper Panels (#2-A1) are completely flushed with the back and front corners of Top Panel (#3).



Step 7: Install Bottom Panel (#4) to Left Side Bottom Panel (#1-A2) and Right Side Bottom Panel (#2-A2)

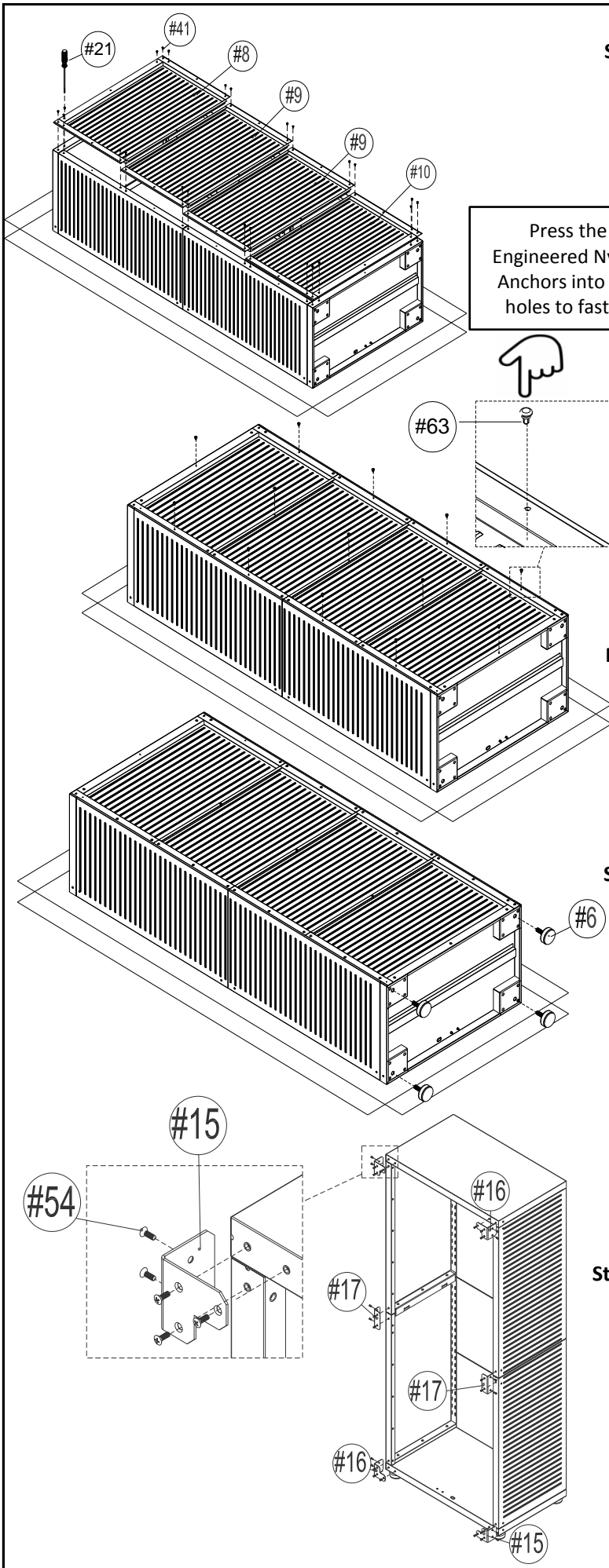
Attach Bottom Panel (#4) to Left Side Bottom Panel (#1-A2) and Right Side Bottom Panel (#2-A2), line up screw holes, use 6 pcs Screw G (#42) to tighten.

Note: Before tightening screws, make sure the bottom corners of Left Side Bottom Panel and Right Side Bottom Panels (#1-A2, #2-A2) are completely flushed with the back and front corners of Bottom Panel (#4).

UltraHD® Tall 30 in. Storage Cabinet (Model No. 20162, 20163)



*NOTE: We recommend using TWO people to assemble the cabinet.



Step 8: Install Back Panels (#8, #9 and #10)

1) Attach Bottom Back Panel (#10) onto both bottom of Left and Right Side Panels (#1-A2 and #2-A2) and Bottom Panel (#4). Line up screw holes and use 8 pcs Screw F (#41) in each corner hole to tighten.

2) Attach both Middle Back Panel (#9) above Bottom Back Panel (#10) the same way. Place the groove of the Middle Back Panel (#9) onto the top edge of the Bottom Back Panel (#10). Use 8 pcs Screw F (#41) to tighten each corner of the panel.

3) Use 8 pcs Screw F (#41) to install Upper Back Panel (#8) the same way, with a screw in each corner of the panel.

4) Use 13 pcs of Engineered Nylon Anchors (#63) to secure the back panels. Press the Engineered Nylon Anchors into the rest of the holes on the back panels to fasten.

NOTE: Do not fully tighten Screw F before the Engineered Nylon Anchors are secured.

Step 9: Install Leveling Feet (#6)

Attach Leveling Feet (#6) to the four side corner of Bottom Panel (#4). Use Wrench (#25) to tighten.

Note: Wheels are not included with this unit, however there are 4 screw holes built into Bottom Panel (#4) for installation. Wheels can be purchased at www.SevilleClassics.com (**WEB128**)

Rotate/Stand Storage Cabinet upright after this step.

Step 10: Install Corner Protections (#15, #16 and #17)

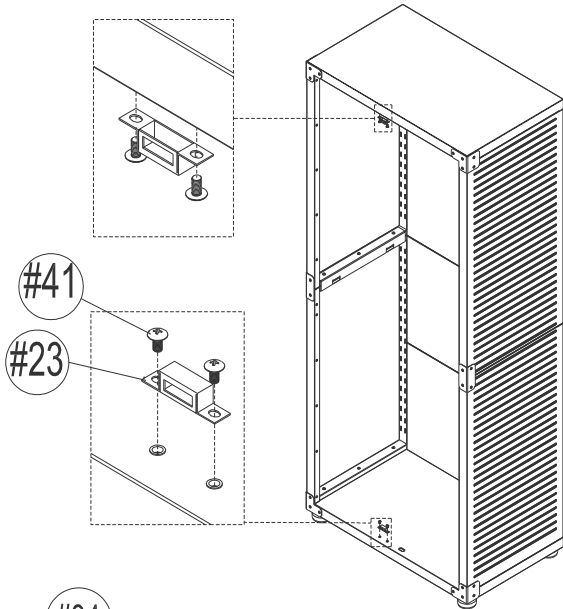
1) Attach Corner Protection A, B (#15, #16) onto top and bottom of the cabinet, use 20 pcs Screw N (#54) to tighten.

2) Attach Middle Corner Protection (#17) to the middle of Left Side Panel (#1-A) and Right Side Panel (#2-A), use 8 pcs Screw N (#54) to tighten.

UltraHD® Tall 30 in. Storage Cabinet (Model No. 20162, 20163)

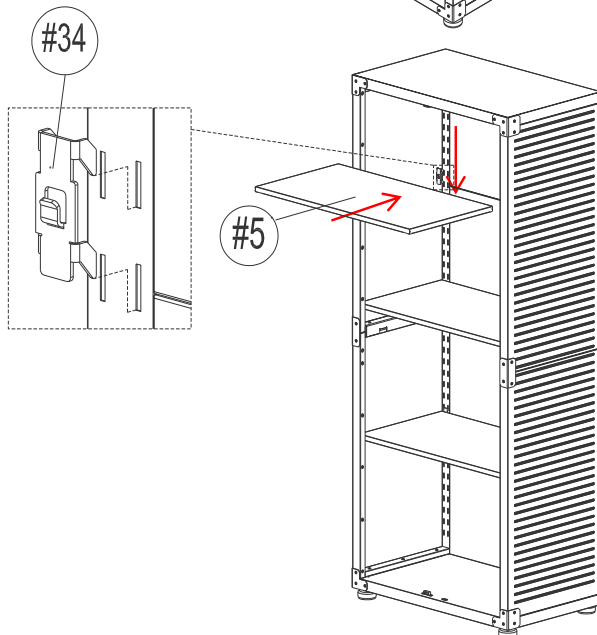


*NOTE: We recommend using TWO people to assemble the cabinet.



Step 11: Install Magnet (#23)

Place Magnet (#23) onto Top Panel (#3) and Bottom Panel (#4) facing the front, use 4 pcs Screw F (#41) to tighten.

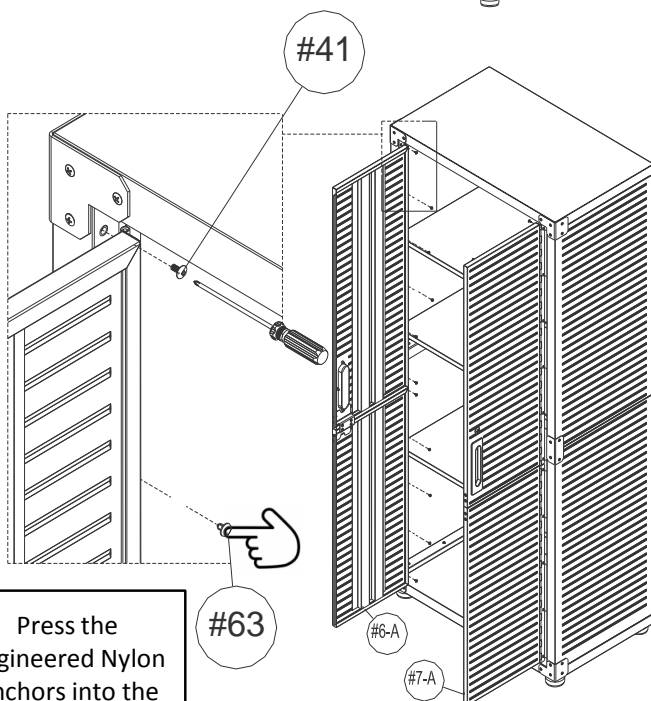


Step 12: Install Middle Shelves (#5)

1) Decide the height for each Middle Shelf (#5). Place 1 pc of Hook (#34) into the hook slot where each corner of shelf should be placed. Make sure the hooks supporting each shelf are at same height.

Note: All Middle Shelves (#5) need a hook at each corner to support it.

2) Place each Middle Shelf (#5) into cabinet and push down onto Hooks (#34).



Step 13: Install Left and Right Doors (#6-A) & (#7-A)

1) Attach Left Door (#6-A) to Left Side Panel (#1-A), use 5 pcs Screw F (#41) and 6 pcs Engineered Nylon Anchors (#63). Press the Engineered Nylon Anchors into the holes to further secure the door panels.

Note: The screw holes on the door hinge have tolerance, enabling the door to be adjusted and centered in the door frame. Place top, middle and bottom screws first. Don't tighten screws completely - this may save time by avoiding having to make slight adjustments for leveling door panels later.

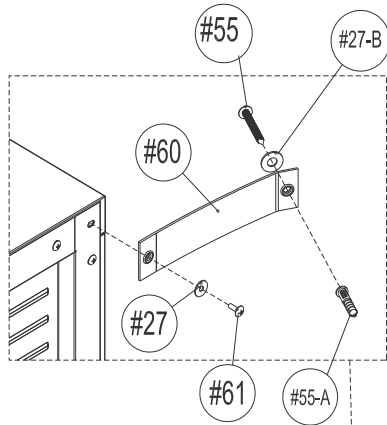
2) Install Right Door (#7-A) the same way.

Press the Engineered Nylon Anchors into the holes to fasten

UltraHD® Tall 30 in. Storage Cabinet (Model No. 20162, 20163)



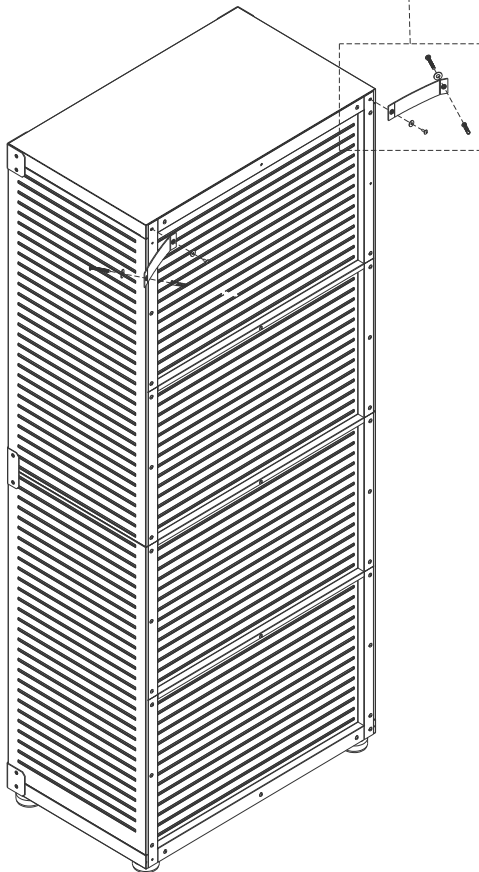
*NOTE: We recommend using TWO people to assemble the cabinet.



Step 14: Install Mounting Strap (#60)

- 1) Remove 1 pc Screw F (#41) from the back corner protection.
- 2) Attach the Mounting Strap (#60) to the back Corner Protection brackets as the left photo shows using Screw O (#61) and Washer (#27).
- 3) Drill a hole in the wall with a 5/16" drill bit, insert the Wall Anchor (#55-A) into the hole.
- 4) Attach the other end of the Mounting Strap (#60) to the wall using Screw M (#55) and Washer (#27-B).

Repeat steps A through D to install the other mounting strap.



UltraHD® Stainless Steel Care Instructions

The stainless steel is protected with UltraGuard® fingerprint resistant finish.

DO NOT use traditional stainless-steel cleaners. To safely manage unwanted fingerprints and prevent new stains, perform the following steps once monthly:

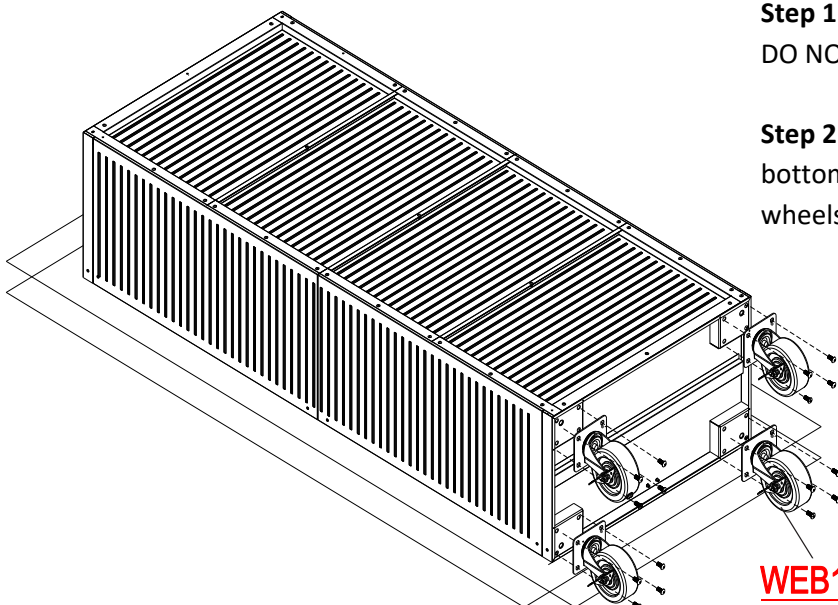
- Lightly wipe with warm water and clean microfiber cloth
- Always wipe in the direction of the surface grain (NEVER ACROSS)
- Wipe away excess water with dry clean cloth

Installing Wheels ([WEB128](#))

*Sold separately on SevilleClassics.com. Requires 2 pairs.

Step 1: Follow the previous instructions to Step 9. DO NOT install Leveling Feet (#6).

Step 2: Install 2 pairs of wheels ([WEB128](#)) to the bottom of the cabinet. Use screws included with wheels to fasten.



[WEB128](#)

CONTACT INFORMATION

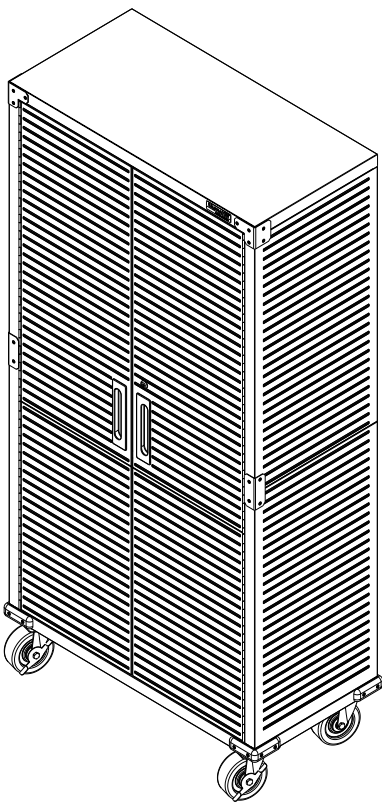
If you are missing any parts, have any questions, or need additional assistance in assembly, please contact our bilingual (English and Spanish) customer service department at:



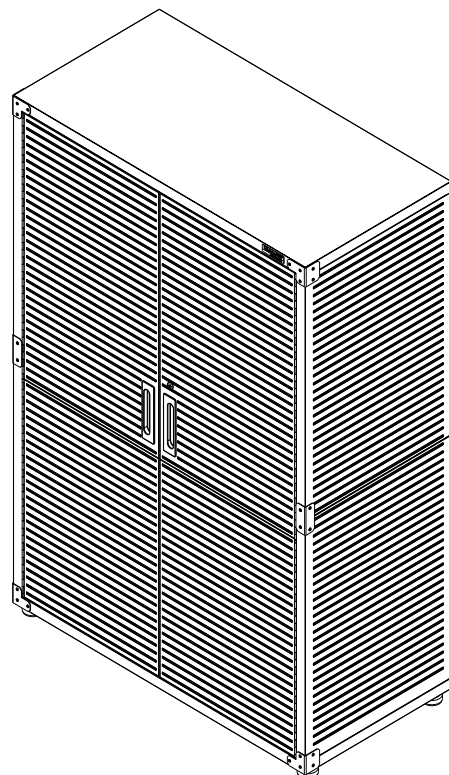
Seville Classics, Inc.
19401 Harborage Way Torrance, CA 90501 USA
Telephone: (800) 323-5565 within USA
Fax: (310) 533-3899
Hours: 9:00am - 4:30pm (Pacific Standard Time)
E-mail: support@sevilleclassics.com
Website & Online Store: www.sevilleclassics.com

*****Please visit our website or call and inquire about our additional UltraHD Line*****

UltraHD® Line

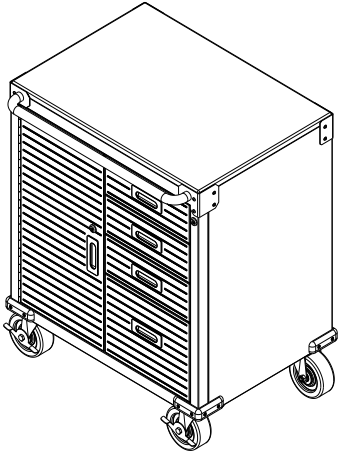


UltraHD® Tall Storage Cabinet
Model No. 16236 (Granite)
Model No. 20143 (Graphite)
Model No. 20153 (Red)
Model No. 20133 (White)

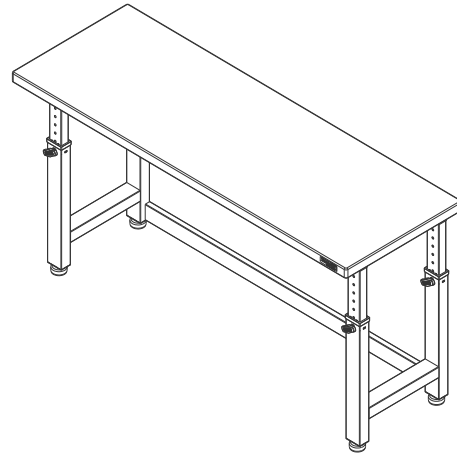


UltraHD® Mega Storage Cabinet
Model No. 16238 (Granite)
Model No. 20148 (Graphite)
Model No. 20158 (Red)

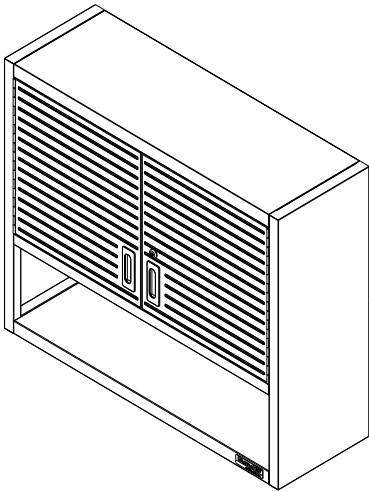
UltraHD® Line



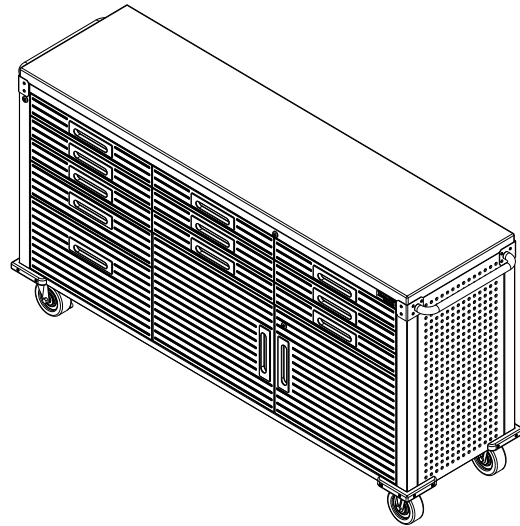
UltraHD® 4-Drawer Rolling Cabinet
Model No. 20205 (Granite)



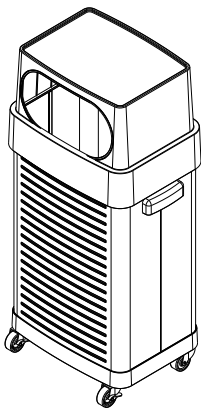
UltraHD® 6-Foot Height Adjustable Workbench
Model No. 20292 (Granite)



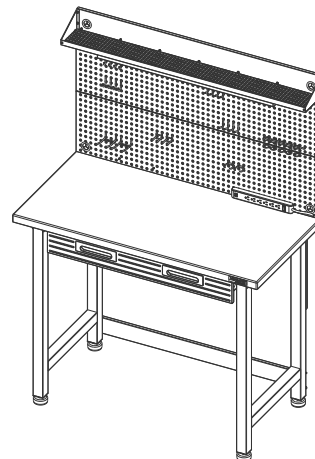
UltraHD® Wall Cabinet with Open Shelf
Model No. 20230 (Granite)
Model No. 20140 (Graphite)
Model No. 20150 (Red)



UltraHD® 2-Door Rolling Workbench
Model No. 20262 (Granite)
Model No. 20142 (Graphite)
Model No. 20152 (Red)



UltraHD® Rolling Trash Bin
Model No. 20215



UltraHD® Lighted Workcenter
Model No. 20247 (Granite)
Model No. 20246 (Graphite)
Model No. 20157 (Red)