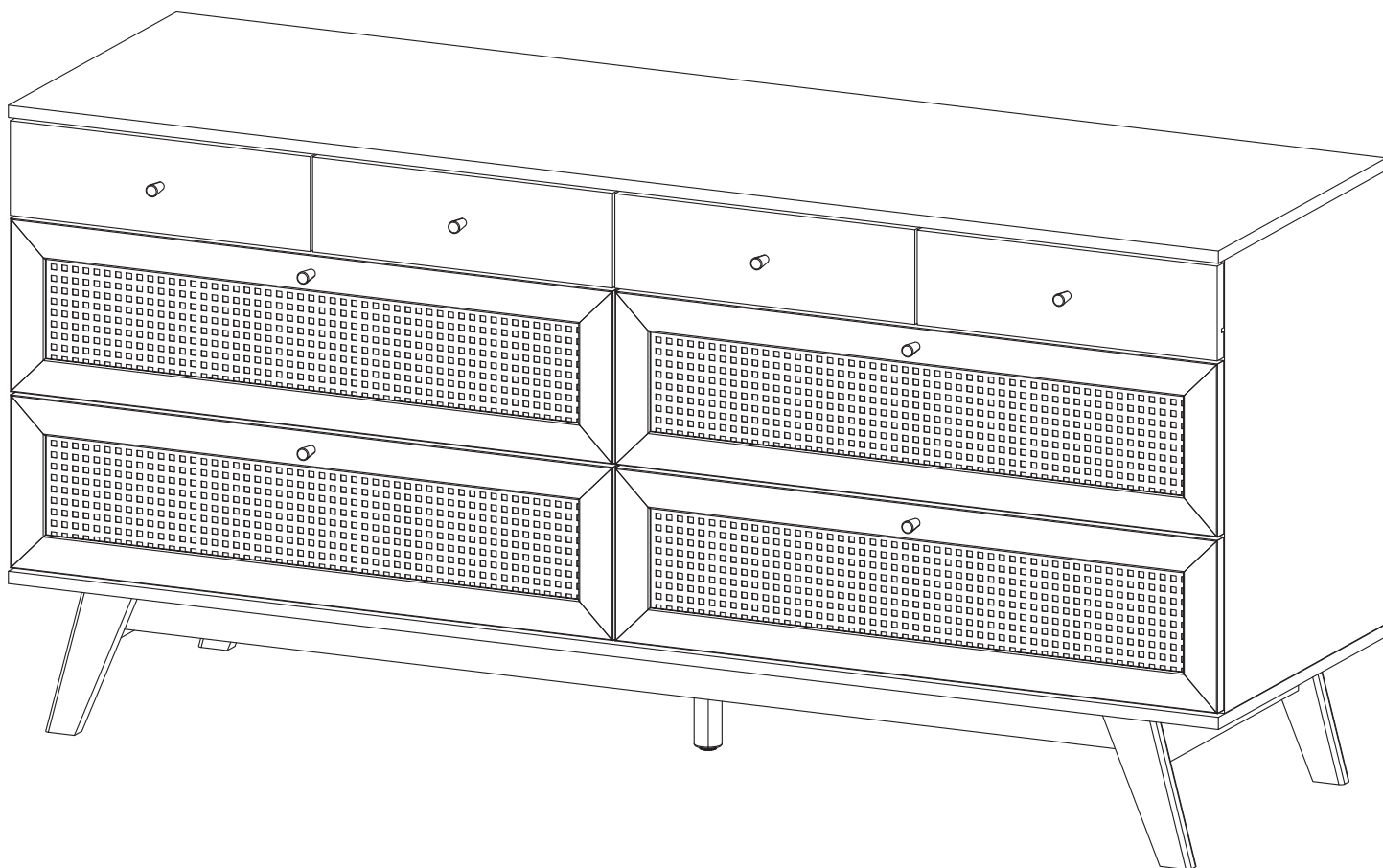


ASSEMBLY INSTRUCTIONS

MOD-7054

VO.07.11.22



Questions? Contact us!

609.256.9000 • cs@modway.com

www.modway.com

***modway**

Let's get started!

*modway



Read through all of the instructions before starting



Care instructions are listed in the last step of this manual



Approx. 120 minutes assembly time



Make sure you have all parts and components before discarding any packing materials



2 people recommended for assembly

Only use hand tools to assemble this item. Do not use power tools. Do not tighten bolts or screws completely until all hardware is lined up and inserted into the holes.

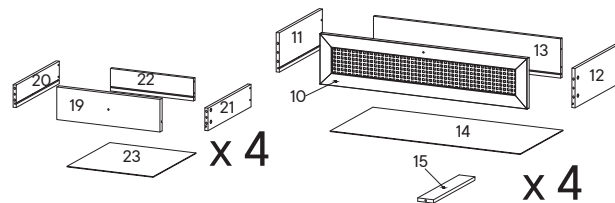
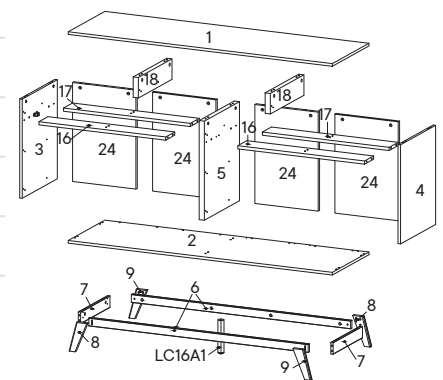
Do not over-tighten screws and bolts to avoid stripping the hardware or cracking the item.

Assemble your item on a flat, carpeted area, with plenty of space to work. This will prevent damage and scratches to your floors or the item while you're assembling the product.

Keep all components and packaging out of reach of children or animals to avoid risk of choking or suffocation.

Furniture components:

1	Top Board	x1	11	Side Drawer Big Left	x4	21	Side Drawer Small Right	x4
2	Bottom Board	x1	12	Side Drawer Big Right	x4	22	Back Drawer Small	x4
3	Side Board Left	x1	13	Back Drawer Big	x4	23	Bottom Drawer Small	x4
4	Side Board Right	x1	14	Bottom Drawer Big	x4	24	Back Board	x4
5	Center Board 1	x1	15	Support Drawer Big	x4	LC16A1	Center Leg	x1
6	Bottom Skirt 1	x2	16	Support Board 1	x2			
7	Bottom Skirt 2	x2	17	Support Board 2	x2			
8	Leg 1	x2	18	Center Board 2	x2			
9	Leg 2	x2	19	Front Drawer Small	x4			
10	Front Drawer Big	x4	20	Side Drawer Small Left	x4			



Provided hardware:

A		Cam Bolt Ø6 x 35 mm	x74	J		Screw M 3.5 x 15.5 mm	x32	S		Bracket	x4
B		Cam Lock Ø15 mm	x38	K		Floor Protector	x4	RM35A		Drawer Runner	x8
C		Wood Dowel Ø8 x 30 mm	x70	L		Screw M 8 x 39 mm	x40	ST756		Anti-Deflection Bar	x2
D		Allen Key	x2	M		Screw M 6 x 10.5 mm	x56	PM2		Mounting Plate	x1
E		Screw M 7 x 50 mm	x18	N		Screw M 3.5 x 13 mm	x48				
F		Bracket	x4	O		Cam Lock Ø12 mm	x36				
G		Screw M 6.4 x 35 mm	x4	P		Wood Dowel Ø6 x 30 mm	x16				
H		Screw M 4.5 x 12.5 mm	x12	Q		Handle	x8				
I		Wedge	x32	R		Screw M 4 x 25 mm	x8				

What you need:

Phillips Head Screwdriver

Wait!

Missing parts or hardware? Need assistance?
Contact us before returning your item. We're here to help!
609.256.9000 • cs@modway.com

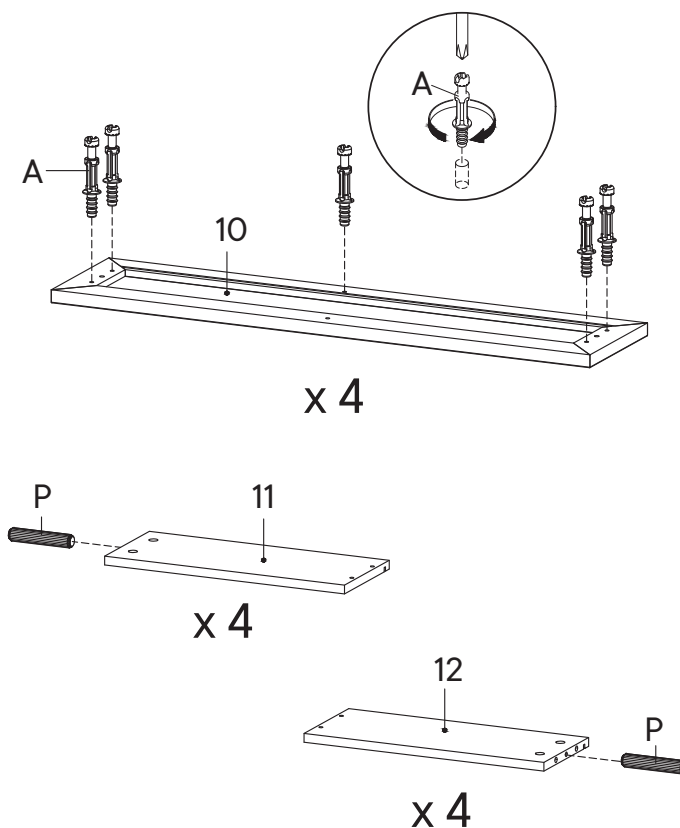
Step 1

HARDWARE

- A** Cam Bolt Ø6 x 35 mm x20
- P** Wood Dowel Ø6 x 30 mm x8

COMPONENTS

- 10** Front Drawer Big x4
- 11** Side Drawer Big Left x4
- 12** Side Drawer Big Right x4



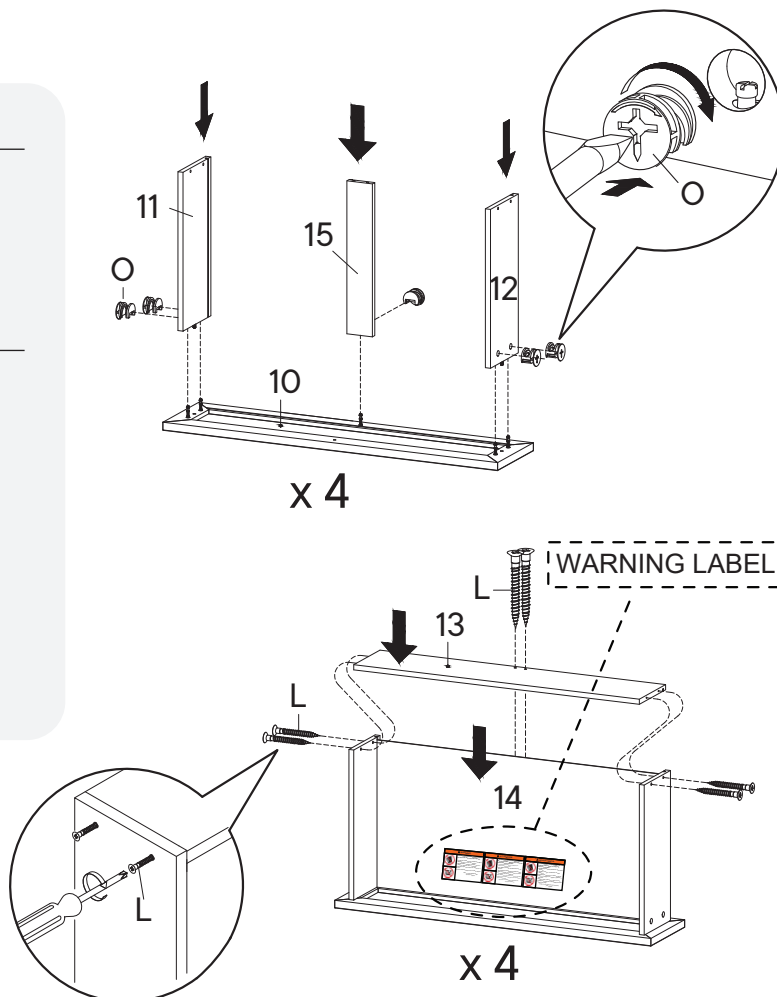
Step 2

HARDWARE

- L** Screw M 8 x 39 mm x24
- O** Cam Lock Ø12 mm x20

COMPONENTS

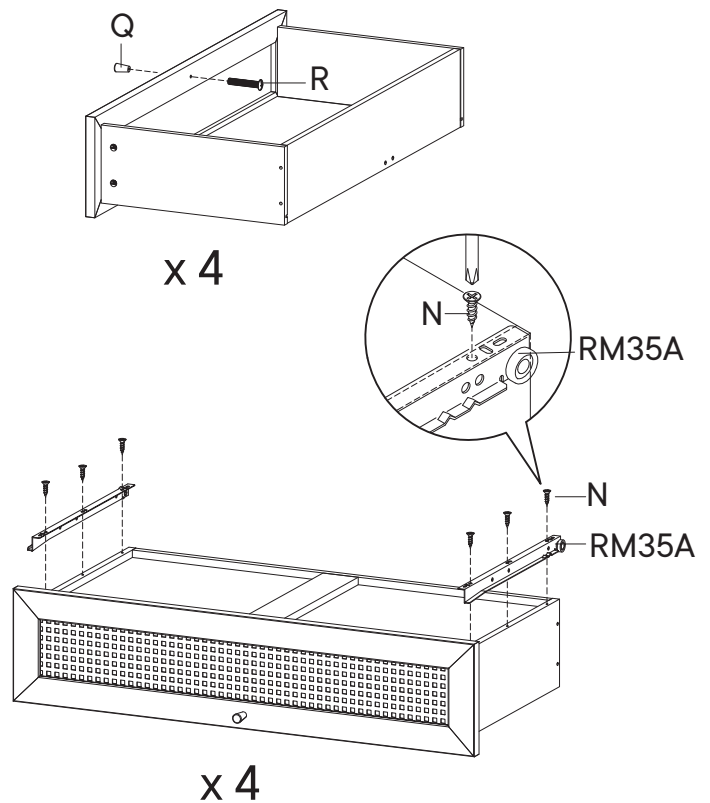
- 10** Front Drawer Big x4
- 11** Side Drawer Big Left x4
- 12** Side Drawer Big Right x4
- 13** Back Drawer Big x4
- 14** Bottom Drawer Big x4
- 15** Support Drawer Big x4



Step 3

HARDWARE

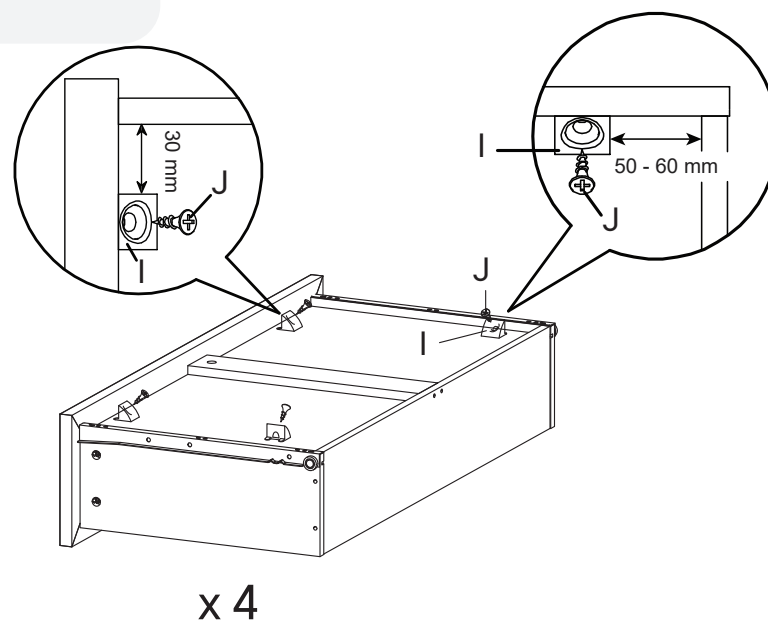
N	Screw M 3.5 x 13 mm	x24
Q	Handle	x4
R	Screw M 4 x 25 mm	x4
RM35A	Drawer Runner	x4



Step 4

HARDWARE

I	Wedge	x16
J	Screw M 3.5 x 15.5 mm	x16



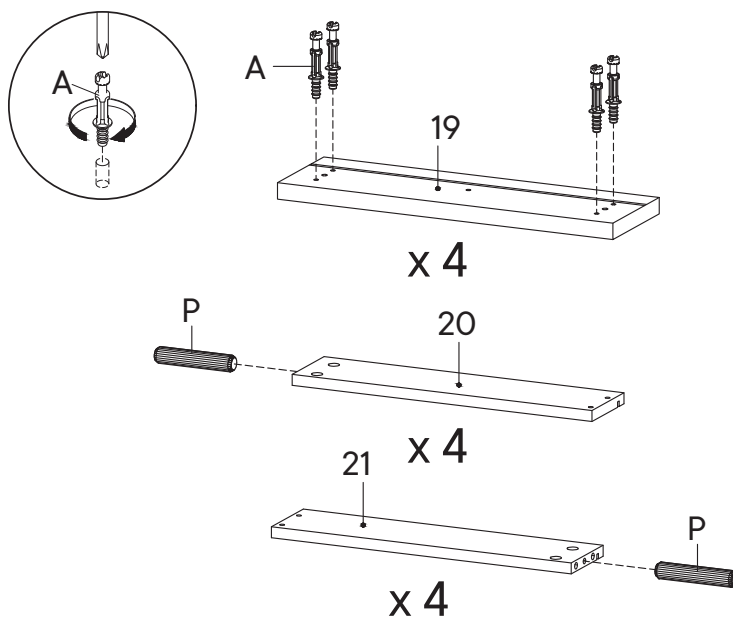
Step 5

HARDWARE

- A** Cam Bolt Ø6 x 35 mm x16
- P** Wood Dowel Ø6 x 30 mm x8

COMPONENTS

- 19** Front Drawer Small x4
- 20** Side Drawer Small Left x4
- 21** Side Drawer Small Right x4



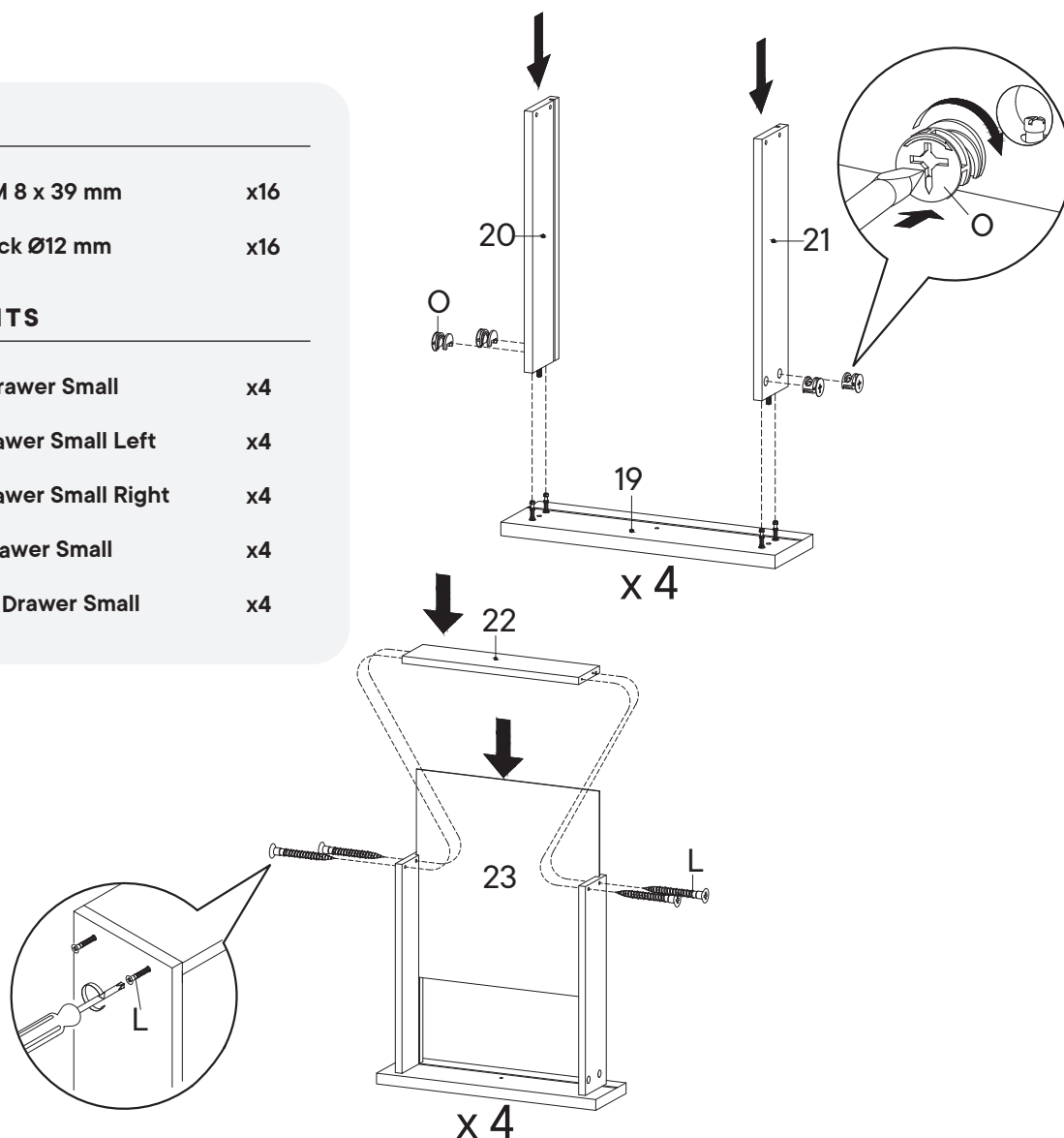
Step 6

HARDWARE

- L** Screw M 8 x 39 mm x16
- O** Cam Lock Ø12 mm x16

COMPONENTS

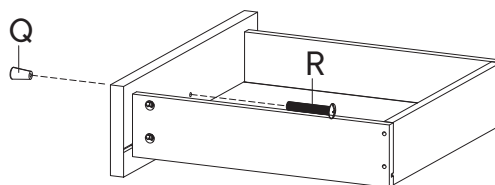
- 19** Front Drawer Small x4
- 20** Side Drawer Small Left x4
- 21** Side Drawer Small Right x4
- 22** Back Drawer Small x4
- 23** Bottom Drawer Small x4



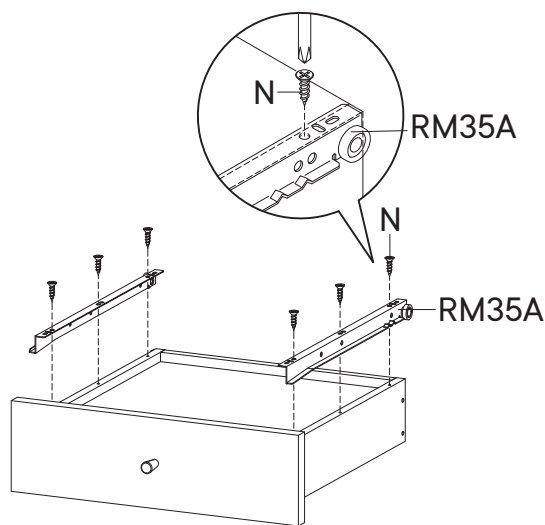
Step 7

HARDWARE

N	Screw M 3.5 x 13 mm	x24
Q	Handle	x4
R	Screw M 4 x 25 mm	x4
RM35A	Drawer Runner	x4



x 4

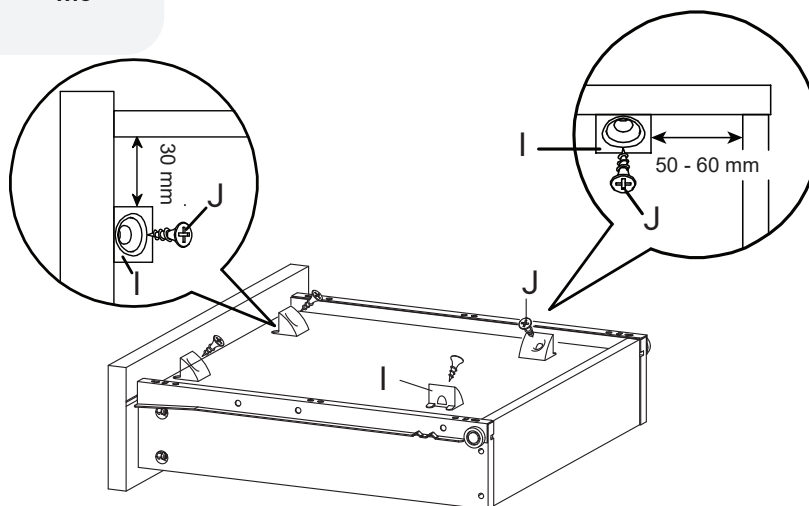


x 4

Step 8

HARDWARE

I	Wedge	x16
J	Screw M 3.5 x 15.5 mm	x16



x 4

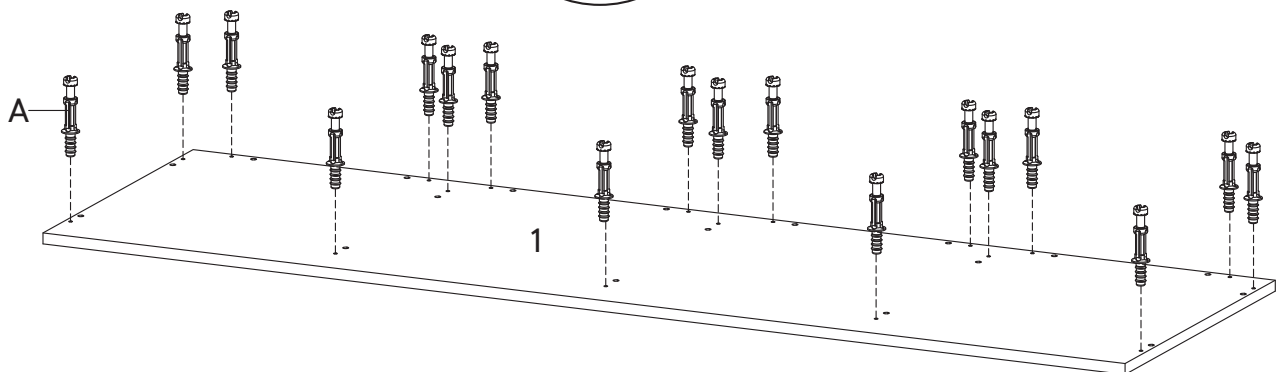
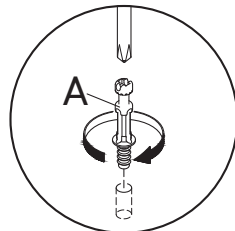
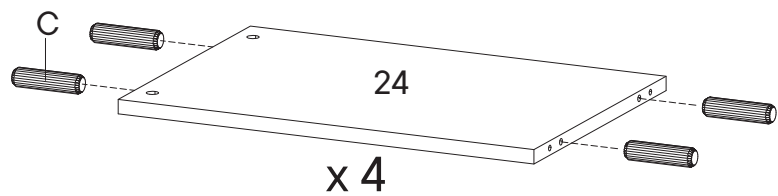
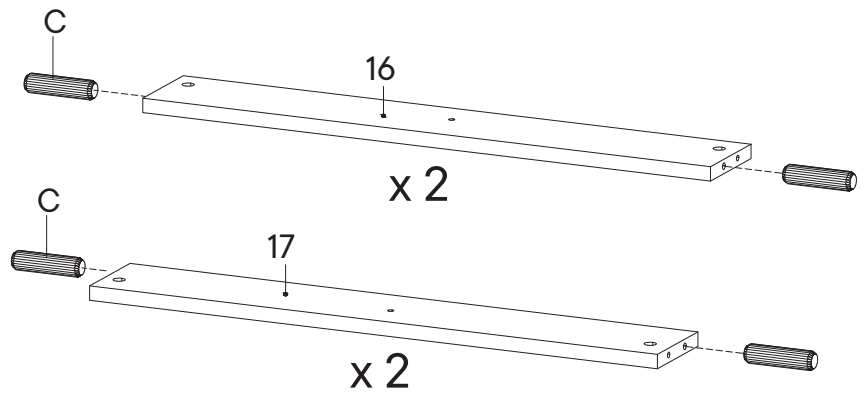
Step 9

HARDWARE

- A** Cam Bolt $\varnothing 6 \times 35$ mm x18
- C** Wood Dowel $\varnothing 8 \times 30$ mm x24

COMPONENTS

- 1** Top Board x1
- 16** Support Board 1 x2
- 17** Support Board 2 x2
- 24** Back Board x4



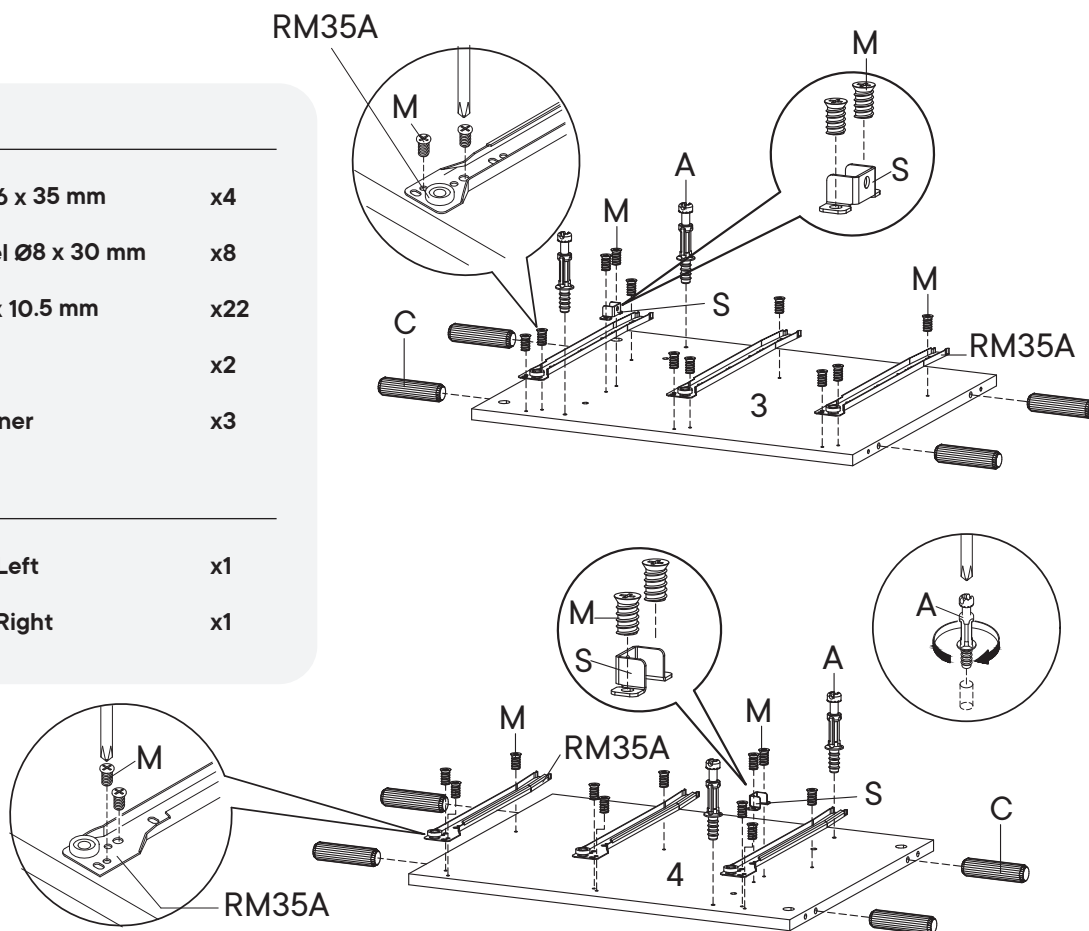
Step 10

HARDWARE

- A** Cam Bolt $\varnothing 6 \times 35$ mm x4
- C** Wood Dowel $\varnothing 8 \times 30$ mm x8
- M** Screw M 6 x 10.5 mm x22
- S** Bracket x2
- RM35A** Drawer Runner x3

COMPONENTS

- 3** Side Board Left x1
- 4** Side Board Right x1



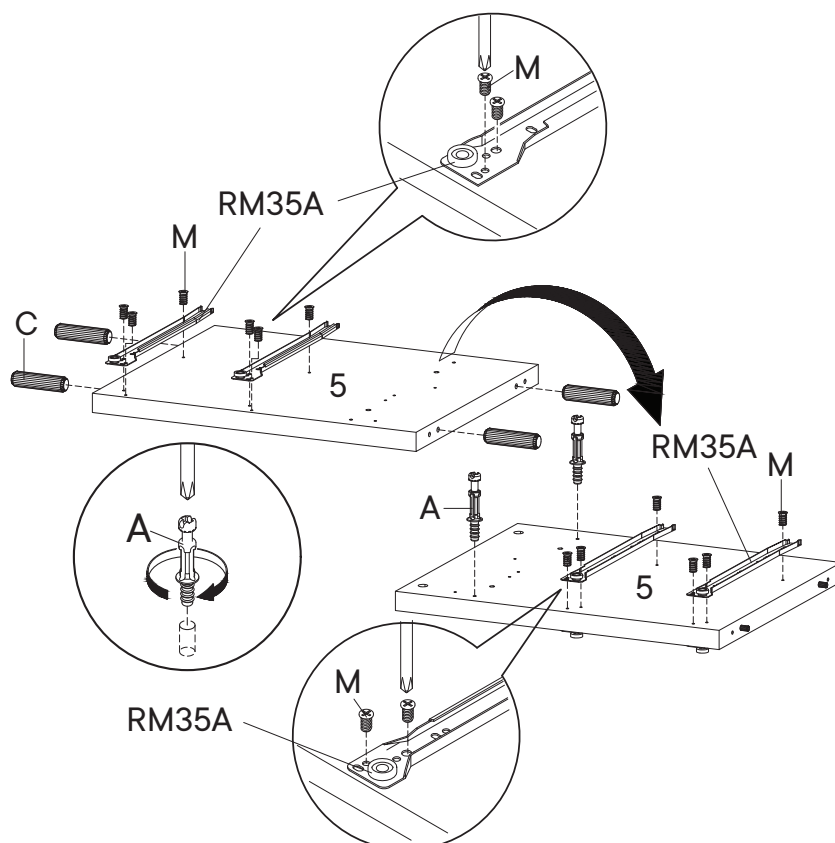
Step 11

HARDWARE

- A** Cam Bolt $\varnothing 6 \times 35$ mm x2
- C** Wood Dowel $\varnothing 8 \times 30$ mm x4
- M** Screw M 6 x 10.5 mm x12
- RM35A** Drawer Runner x2

COMPONENTS

- 5** Center Board 1 x1



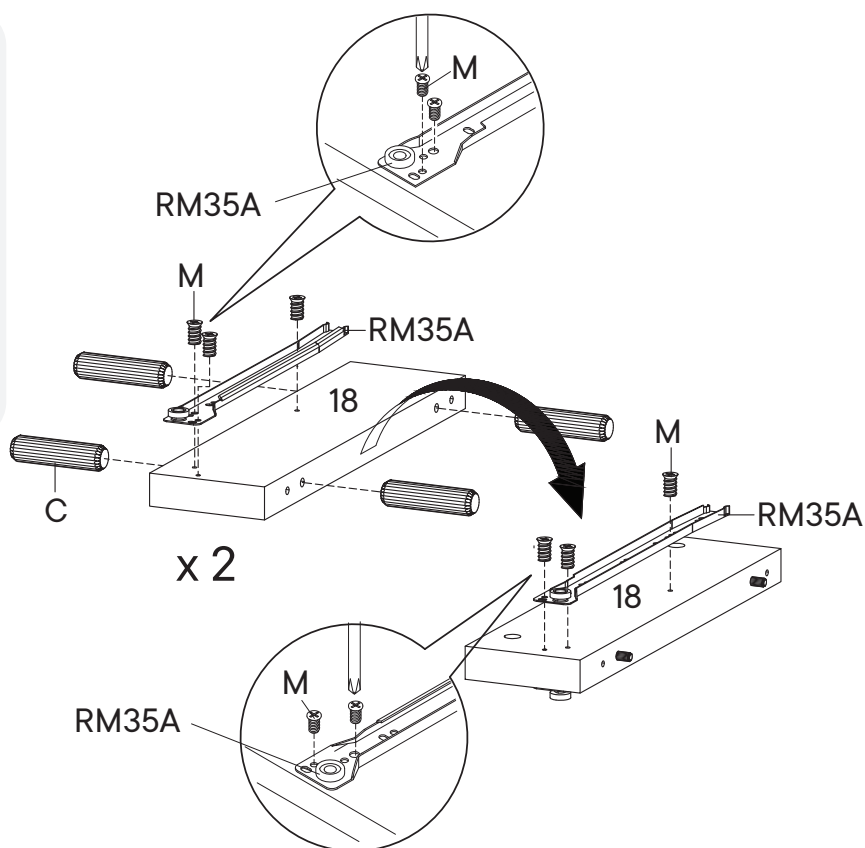
Step 12

HARDWARE

- C** Wood Dowel Ø8 x 30 mm x8
- M** Screw M 6 x 10.5 mm x12
- RM35A** Drawer Runner x2

COMPONENTS

- 18** Center Board 2 x2



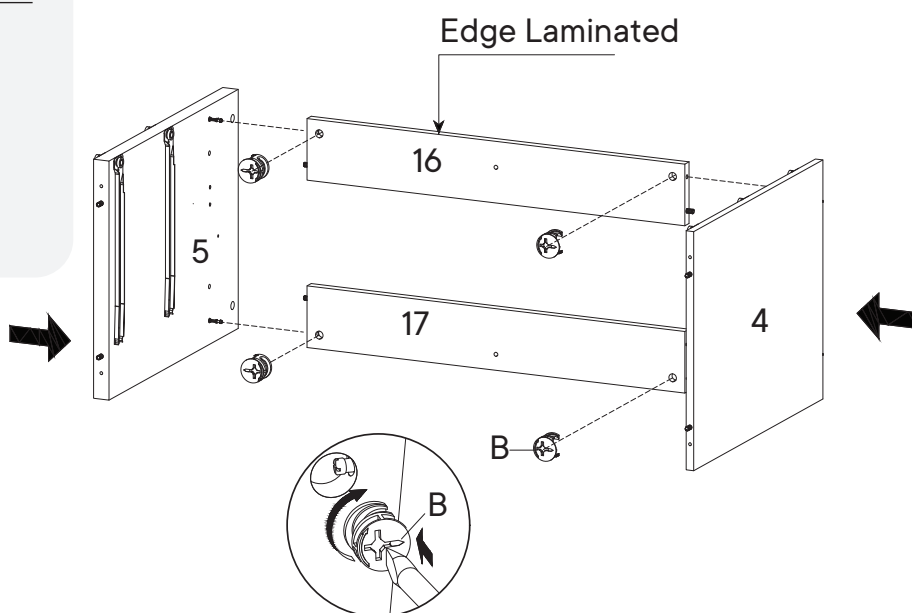
Step 13

HARDWARE

- B** Cam Lock Ø15 mm x4

COMPONENTS

- 4** Side Board Right x1
- 5** Center Board 1 x1
- 16** Support Board 1 x1
- 17** Support Board 2 x1



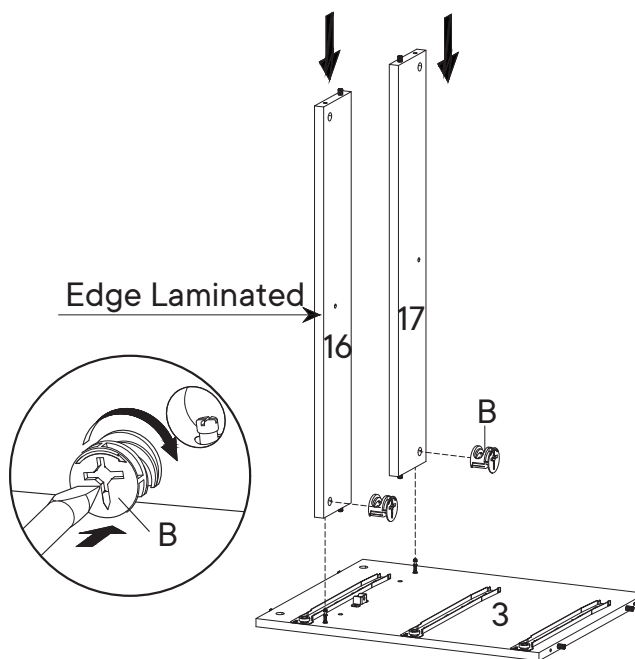
Step 14

HARDWARE

- B** Cam Lock $\varnothing 15$ mm x2

COMPONENTS

- 3** Side Board Left x1
- 16** Support Board 1 x1
- 17** Support Board 2 x1



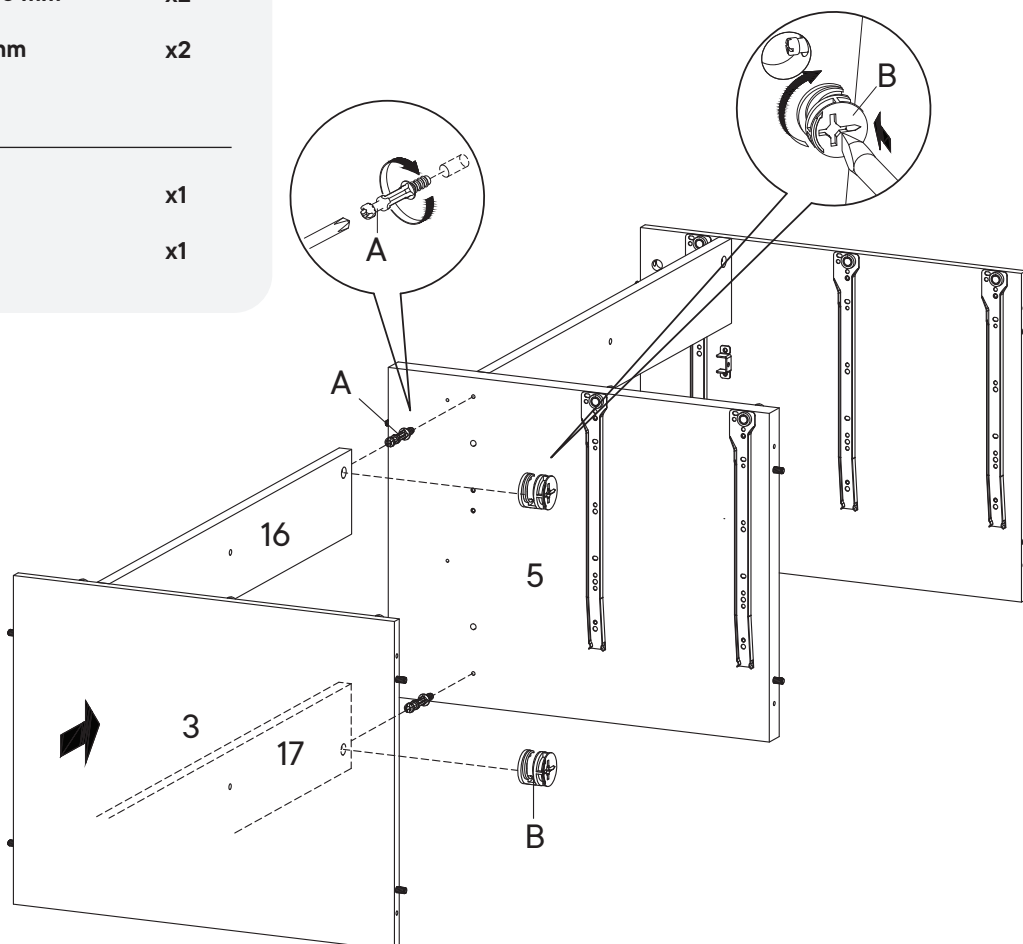
Step 15

HARDWARE

- A** Cam Bolt $\varnothing 6 \times 35$ mm x2
- B** Cam Lock $\varnothing 15$ mm x2

COMPONENTS

- 3** Side Board Left x1
- 5** Center Board 1 x1



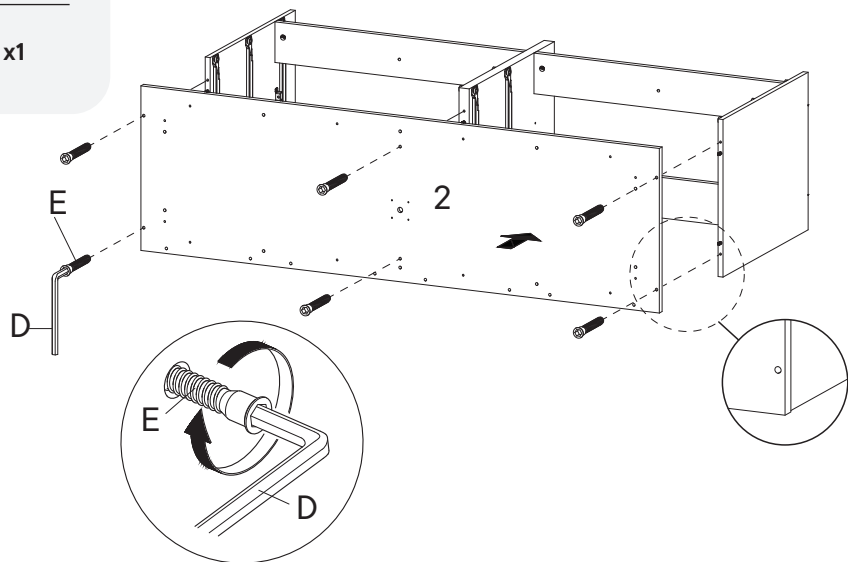
Step 16

HARDWARE

- D** Allen Key x1
- E** Screw M 7 x 50 mm x6

COMPONENTS

- 2** Bottom Board x1



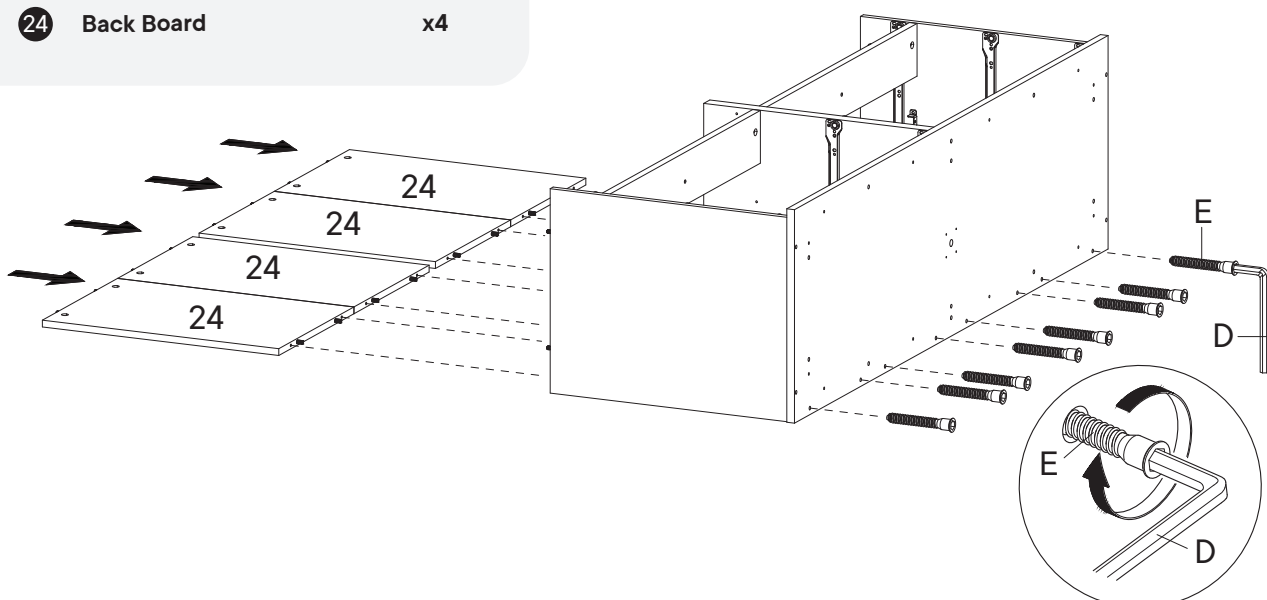
Step 17

HARDWARE

- D** Allen Key x1
- E** Screw M 7 x 50 mm x8

COMPONENTS

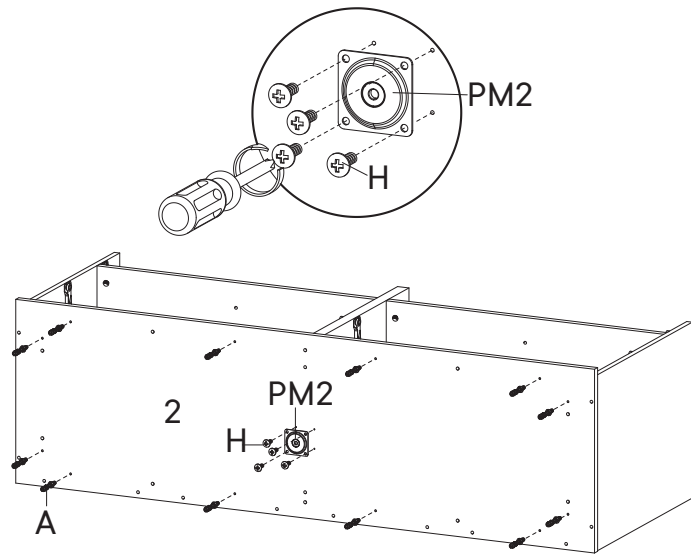
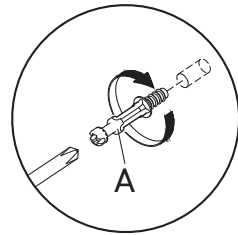
- 24** Back Board x4



Step 18

HARDWARE

- A** Cam Bolt $\varnothing 6 \times 35$ mm x12
- H** Screw M 4.5 x 12.5 mm x4
- PM2** Mounting Plate x1



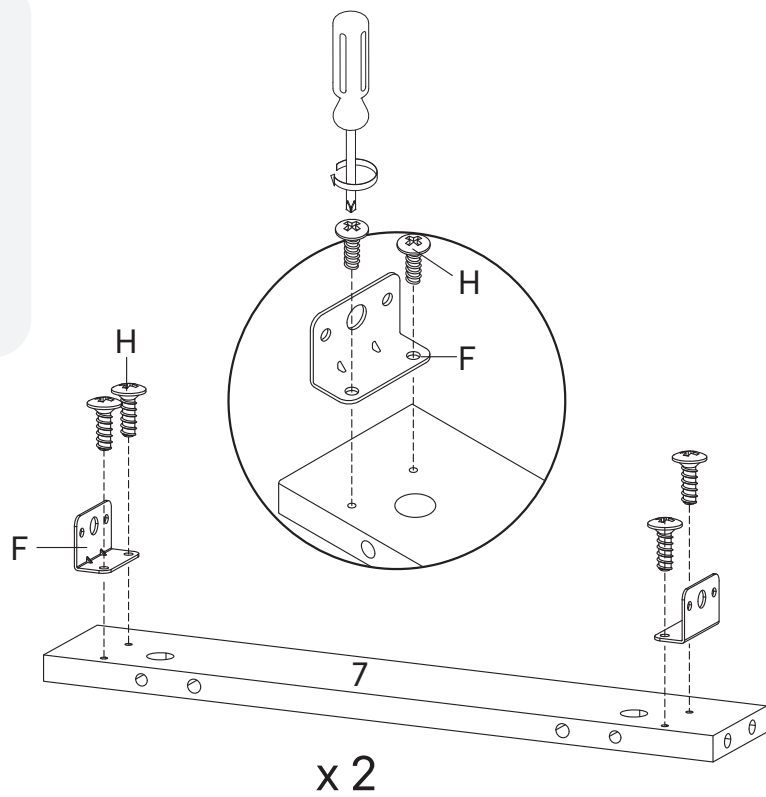
Step 19

HARDWARE

- F** Bracket x4
- H** Screw M 4.5 x 12.5 mm x8

COMPONENTS

- 7** Bottom Skirt 2 x2



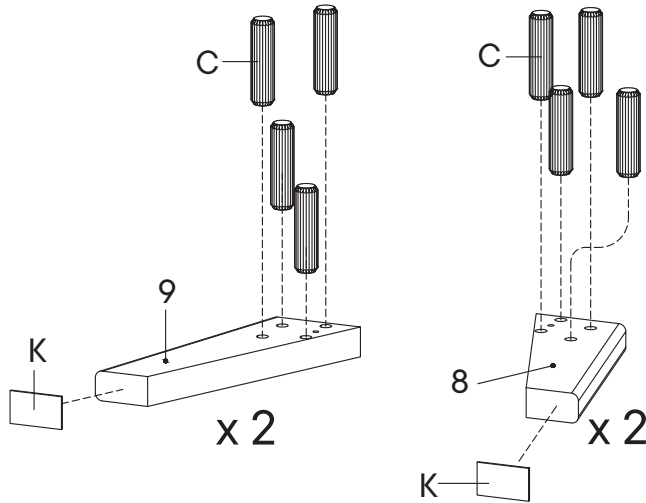
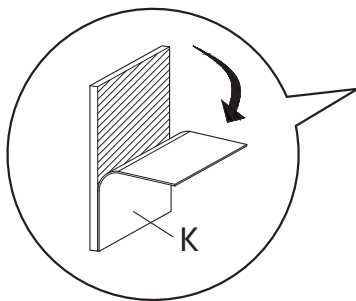
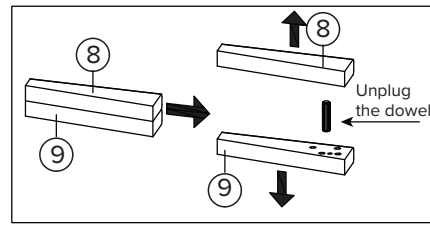
Step 20

HARDWARE

- C** Wood Dowel Ø8 x 30 mm x16
- K** Floor Protector x4

COMPONENTS

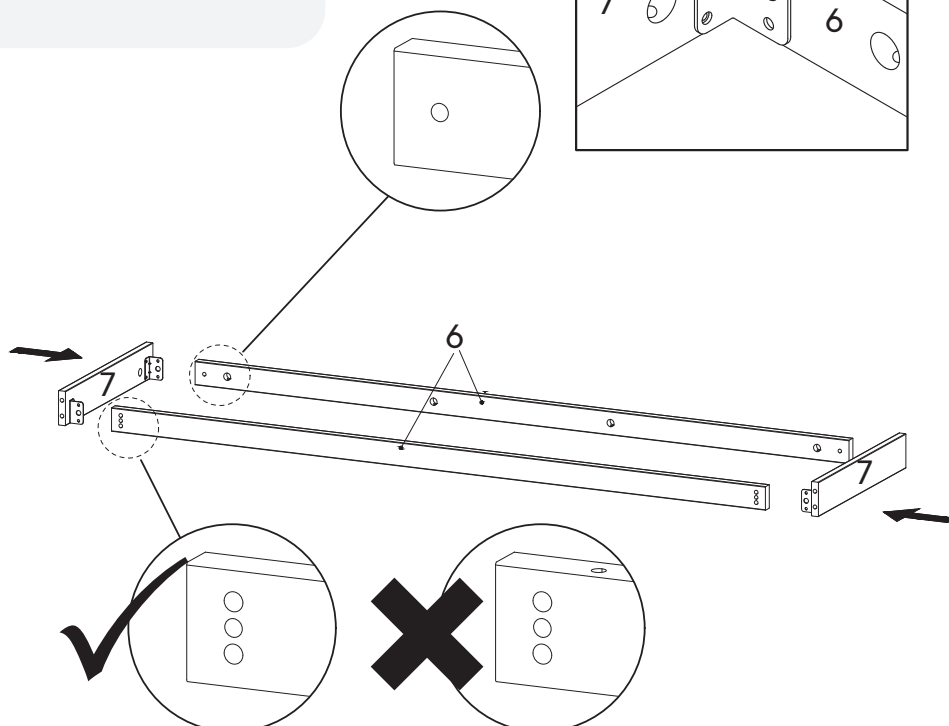
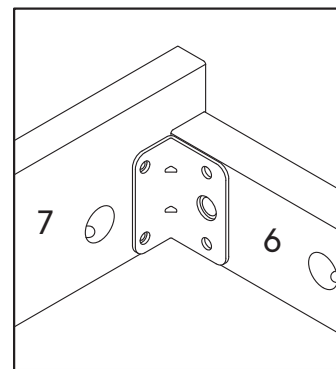
- 8** Leg 1 x2
- 9** Leg 2 x2



Step 21

COMPONENTS

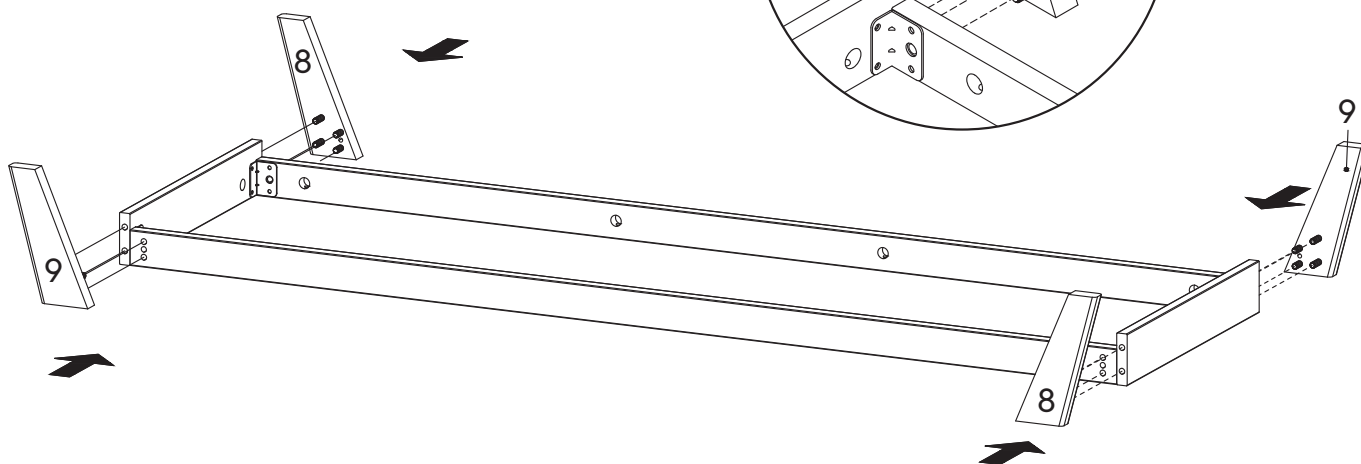
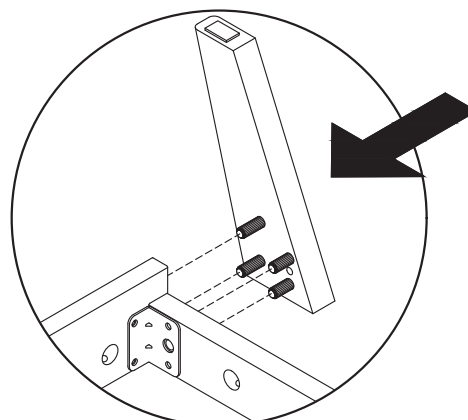
- 6** Bottom Skirt 1 x2
- 7** Bottom Skirt 2 x2



Step 22

COMPONENTS

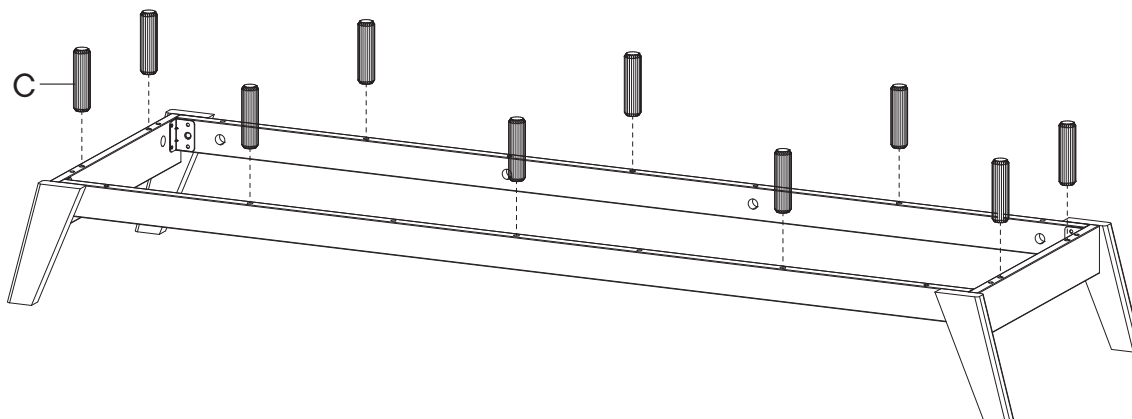
- 8 Leg 1 x2
- 9 Leg 2 x2



Step 23

HARDWARE

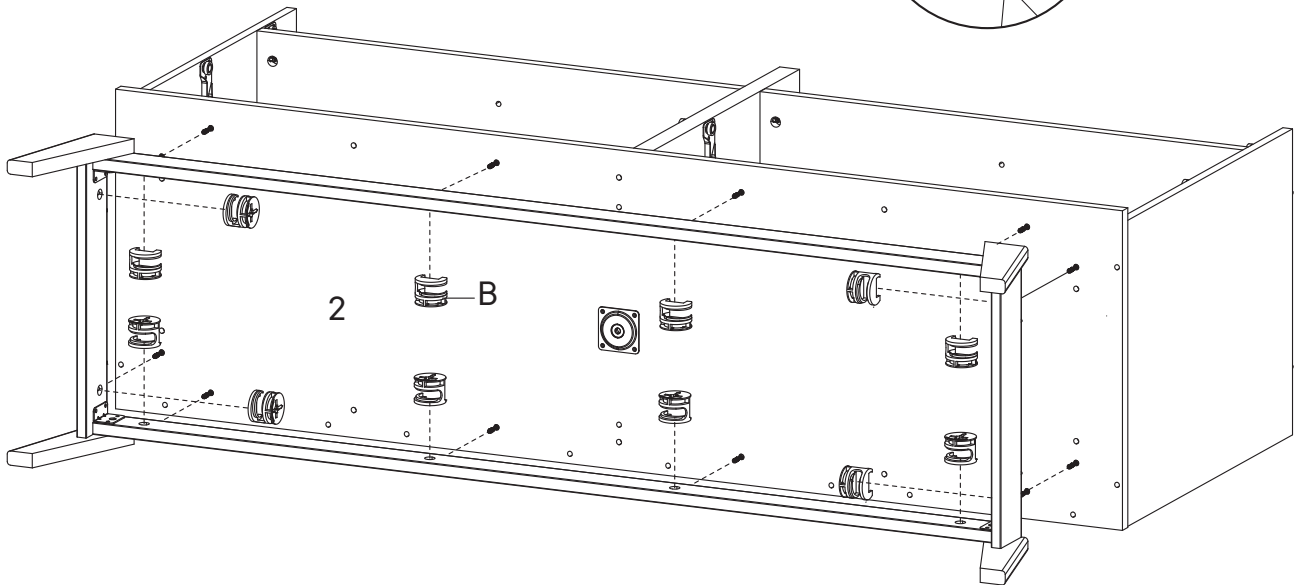
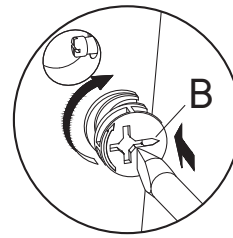
- C Wood Dowel Ø8 x 30 mm x10



Step 24

HARDWARE

- B** Cam Lock Ø15 mm x12



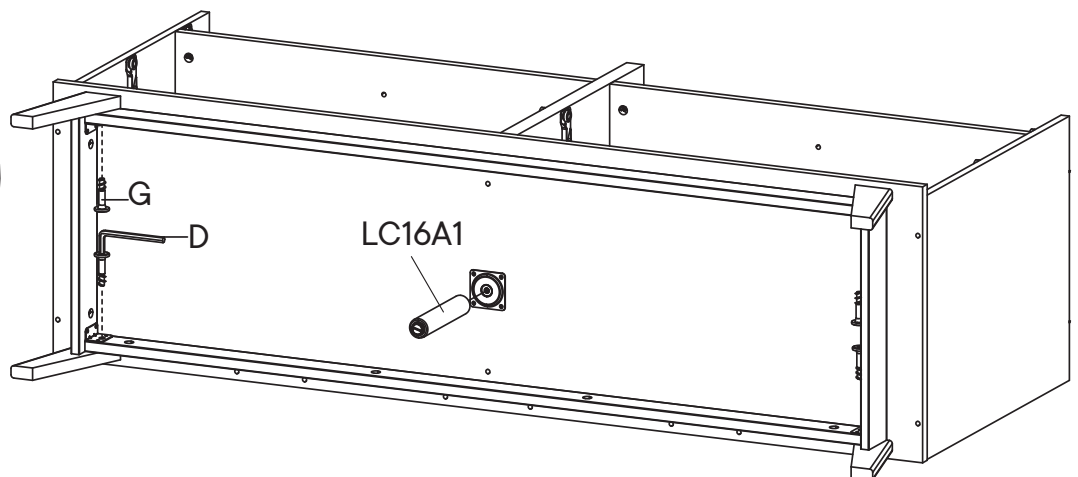
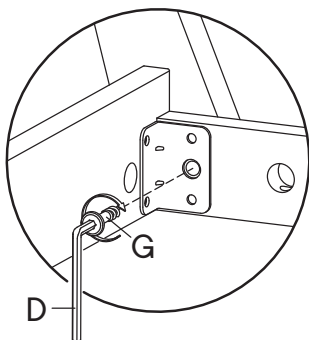
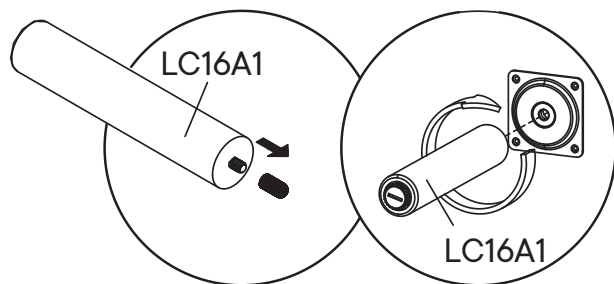
Step 25

HARDWARE

- D** Allen Key x1
- G** Screw M 6.4 x 35 mm x4

COMPONENTS

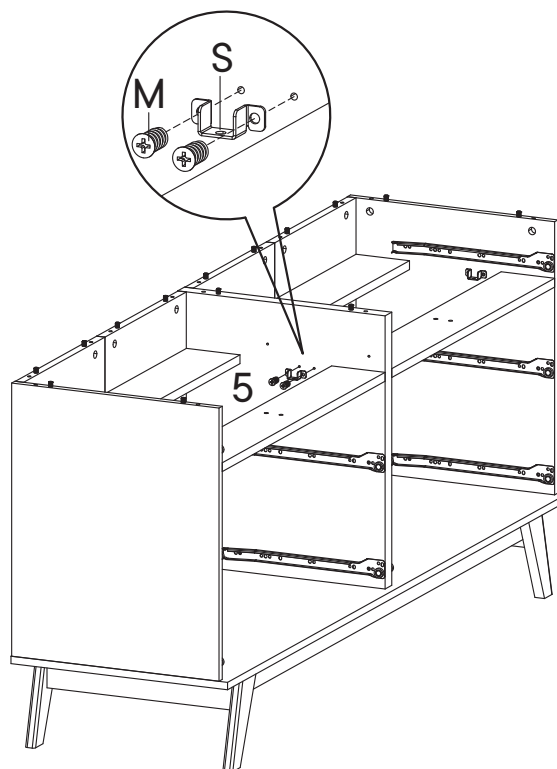
- LC16A1** Center Leg x1



Step 26

HARDWARE

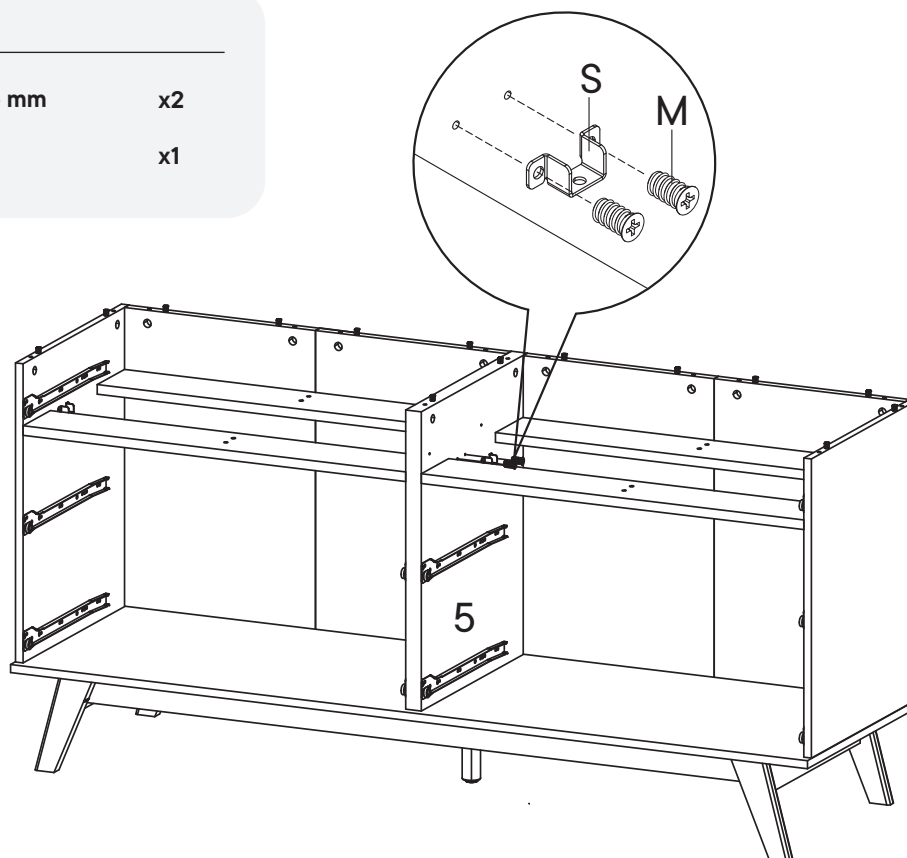
- M** Screw M 6 x 10.5 mm x2
- S** Bracket x1



Step 27

HARDWARE

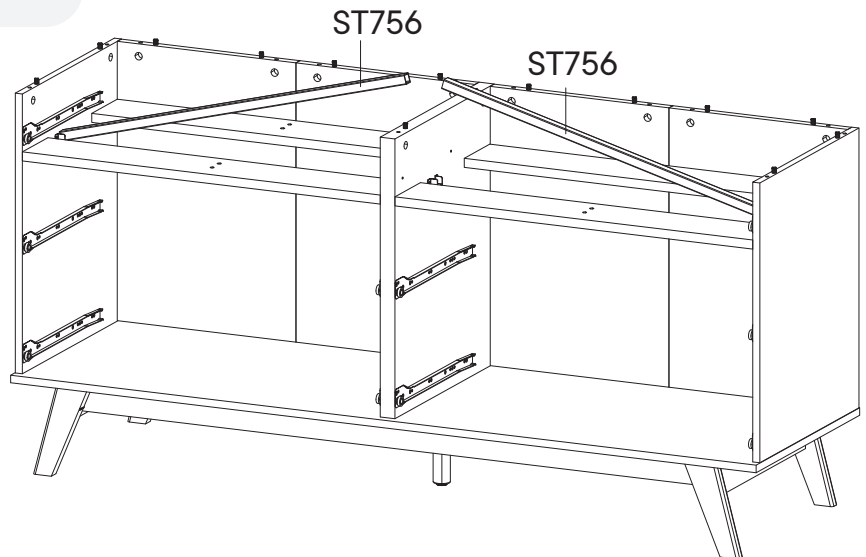
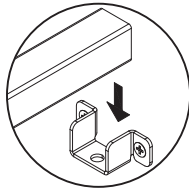
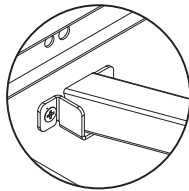
- M** Screw M 6 x 10.5 mm x2
- S** Bracket x1



Step 28

HARDWARE

ST756 Anti-Deflection Bar x2

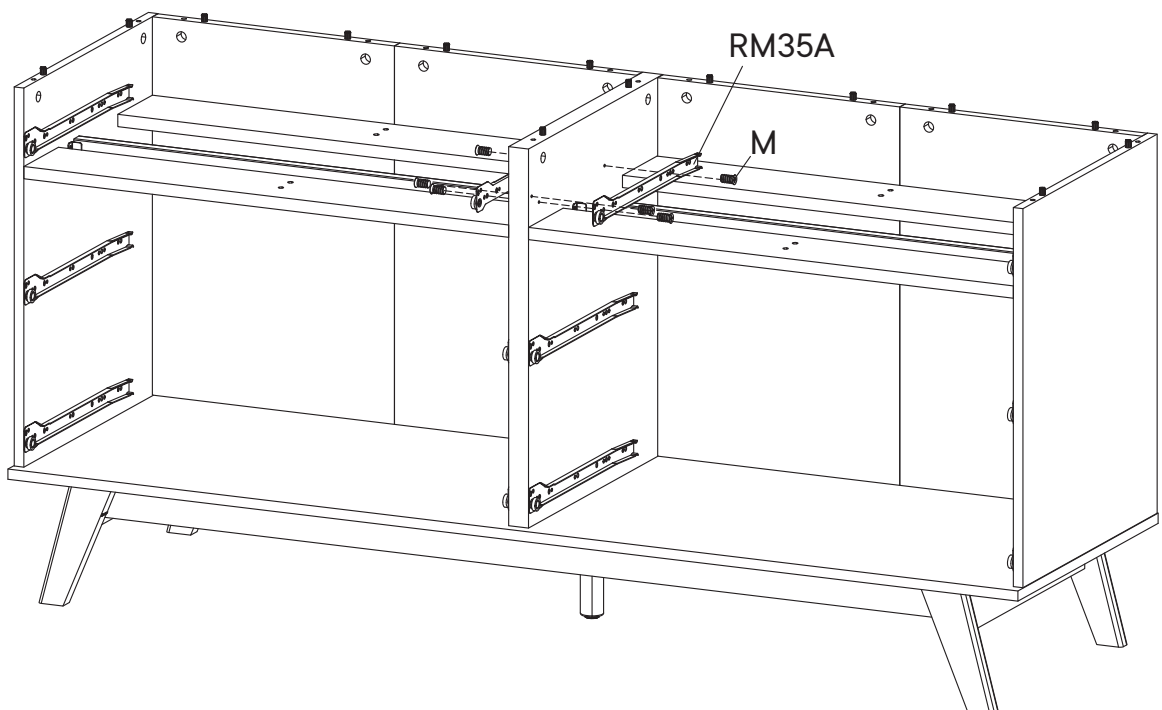
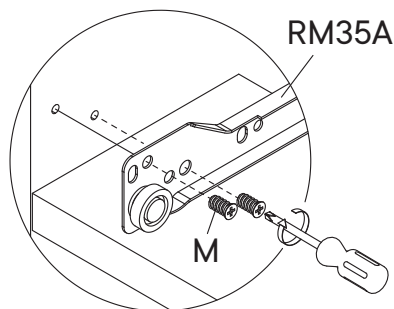


Step 29

HARDWARE

M Screw M 6 x 10.5 mm x6

RM35A Drawer Runner x1



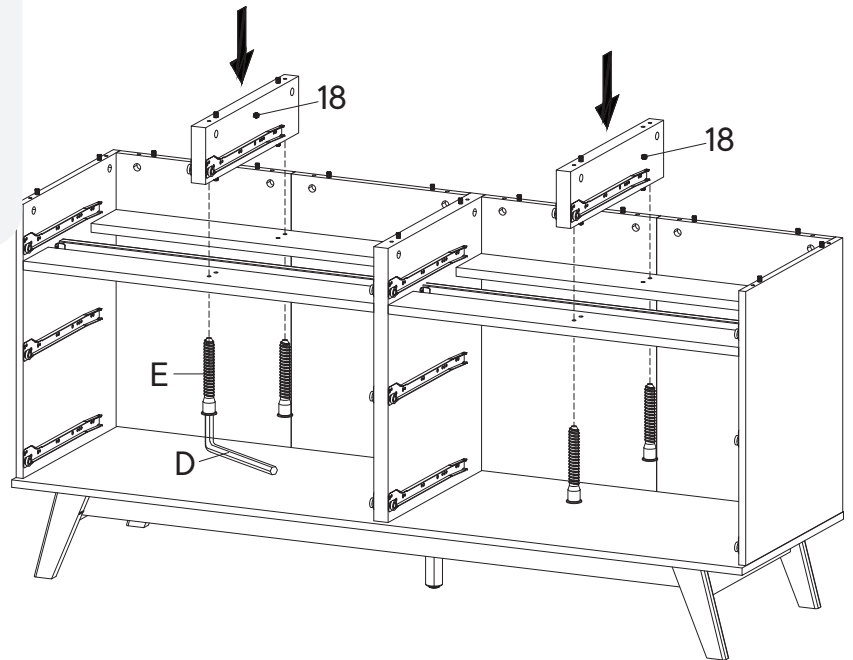
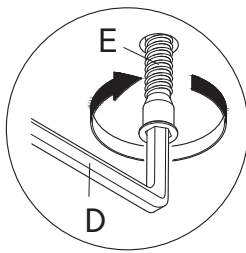
Step 30

HARDWARE

- D** Allen Key x1
- E** Screw M 7 x 50 mm x4

COMPONENTS

- 18** Center Board 2 x2



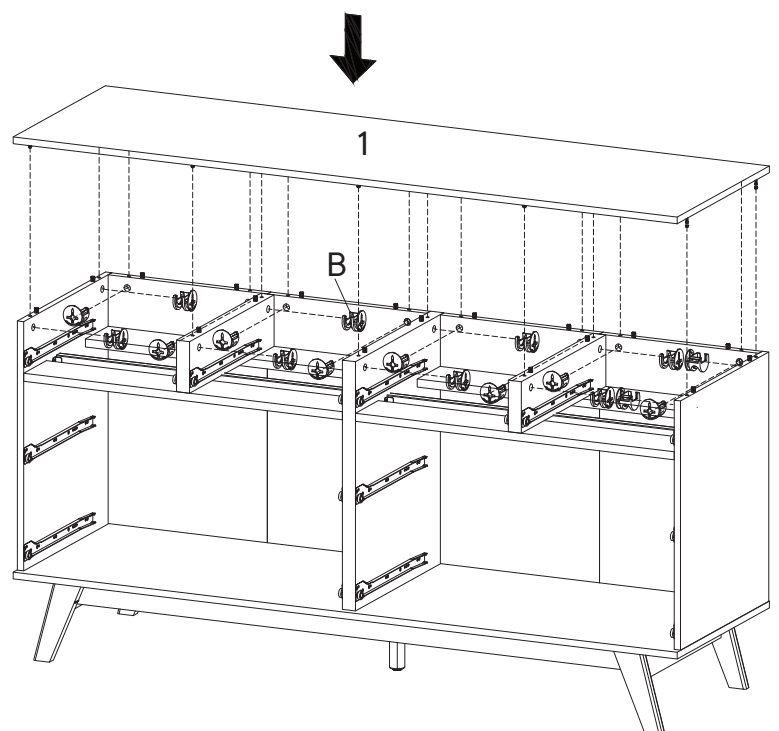
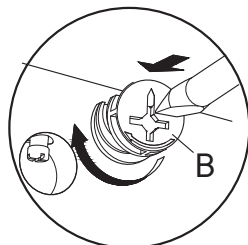
Step 31

HARDWARE

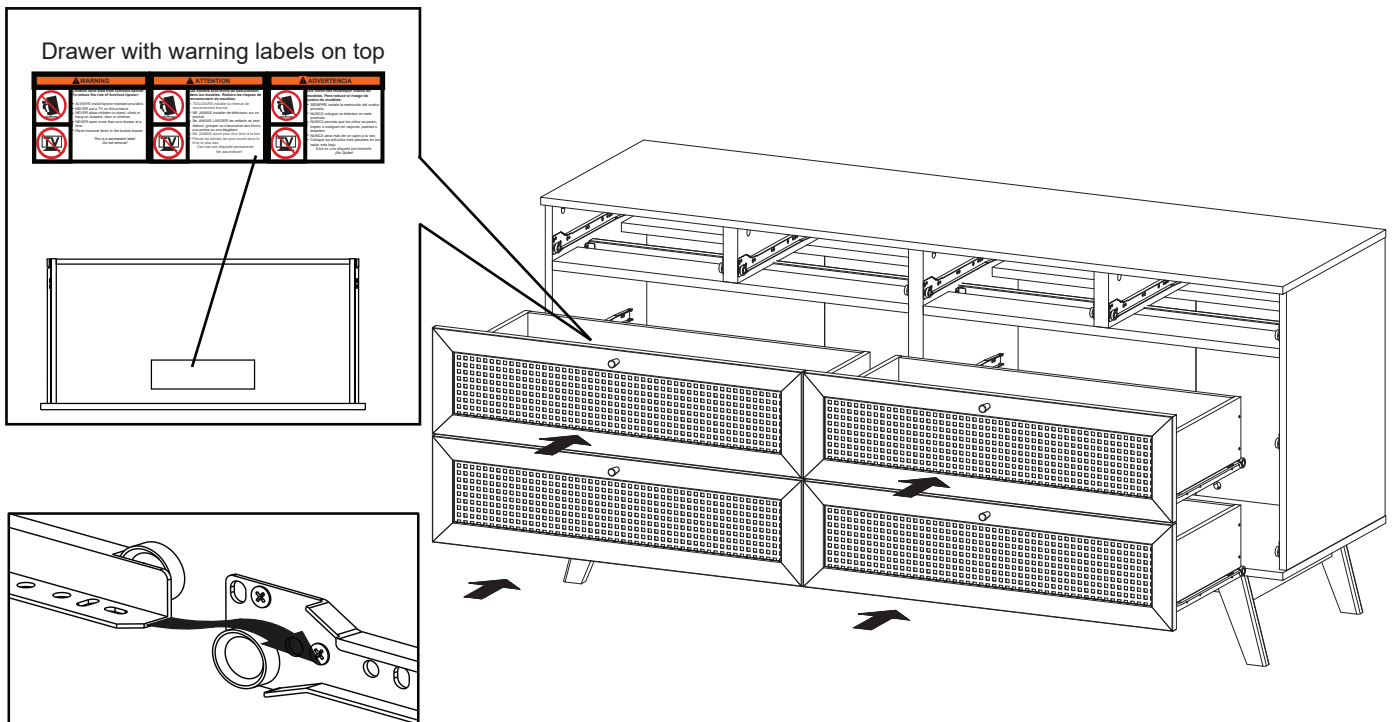
- B** Cam Lock Ø15 mm x18

COMPONENTS

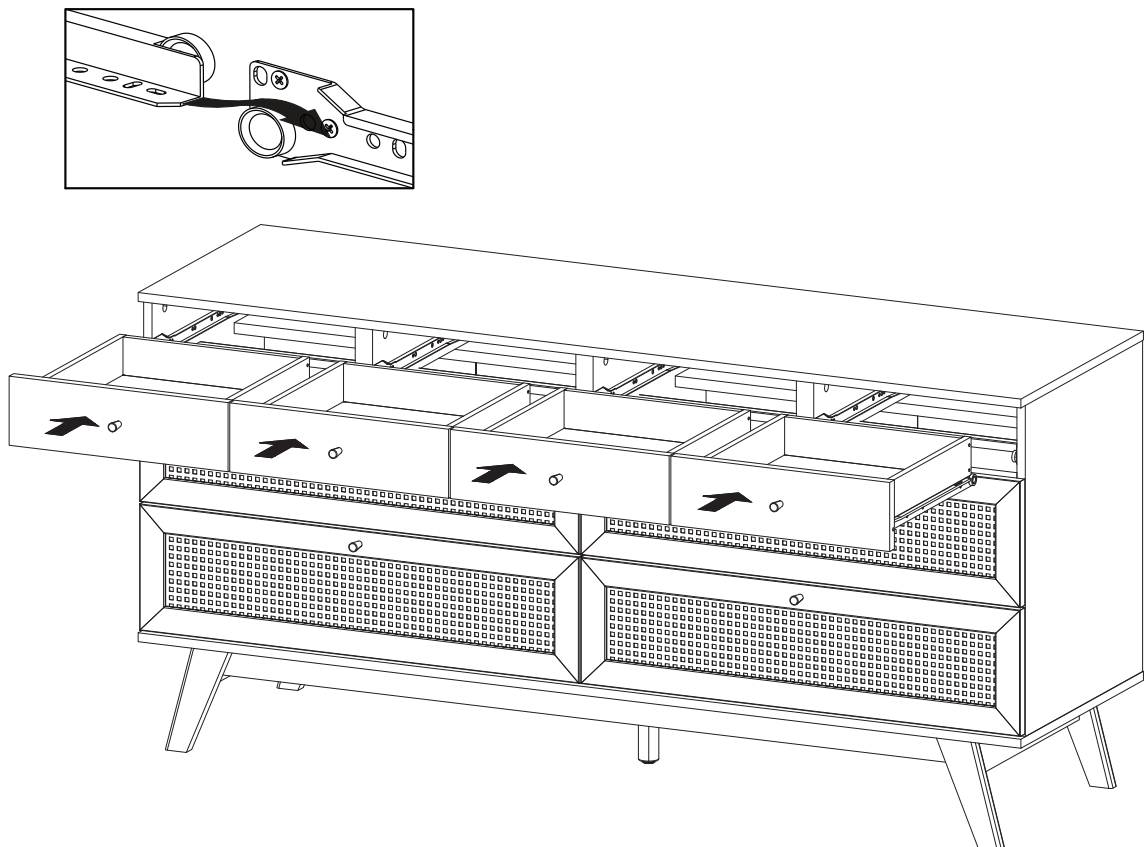
- 1** Top Board x1



Step 32



Step 33



Great job!

Chest Drawers assembly is complete.

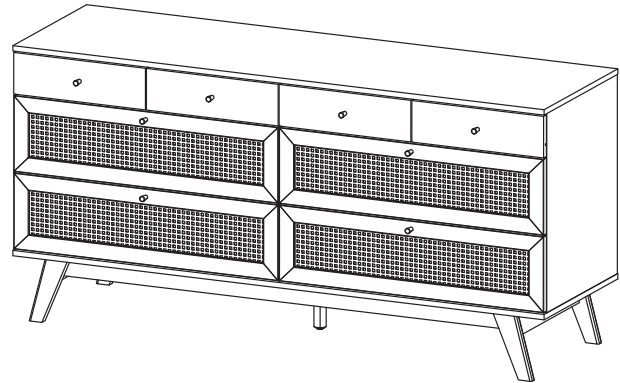
♥ CARING FOR YOUR ITEM

Indoor use only.

Not contract grade.

Clean using a non-abrasive cloth and a mild cleaner.

Never use harsh chemicals, as they could damage the finish or integrity of the item.



CONNECT WITH US!

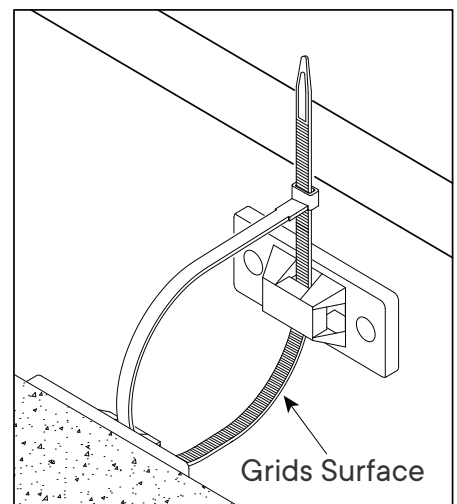
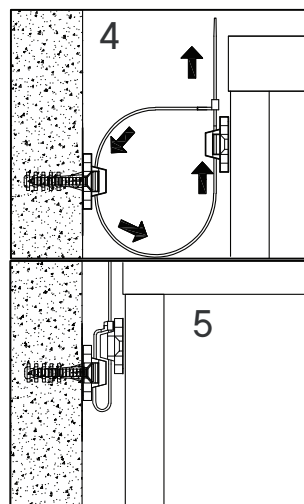
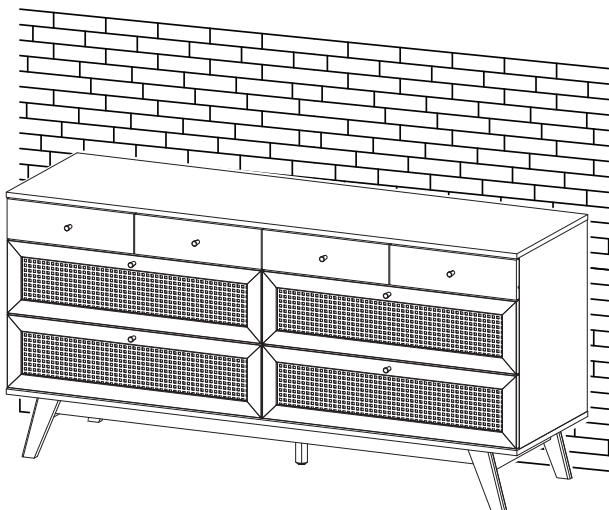
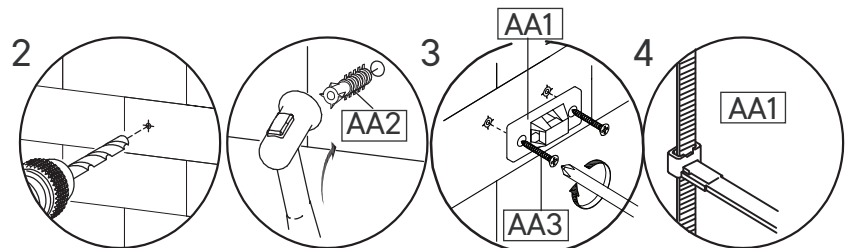
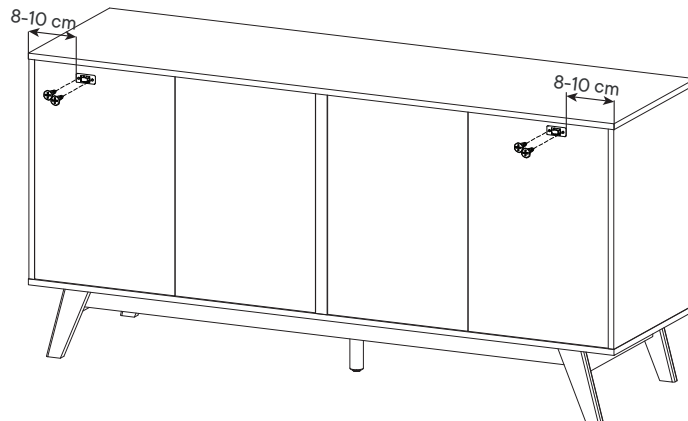
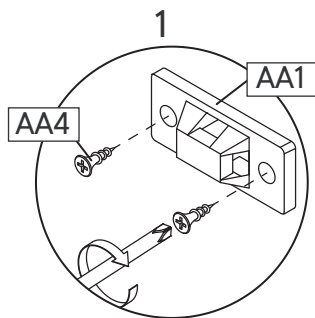
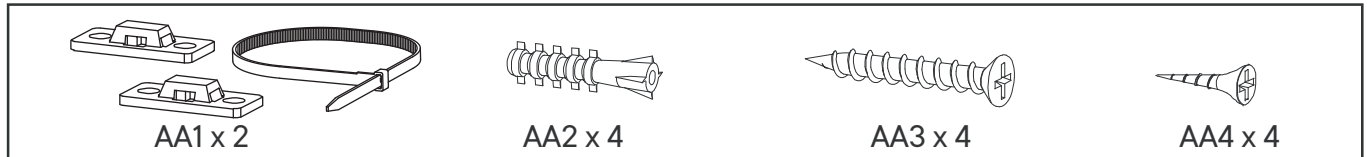
Tag us @modway_furniture and #modway for a chance to be featured.

TIPPING RESTRAINTS KIT INSTALLATION GUIDANCE

Different wall materials require unique wall fasteners.

The wall plugs (AA2) and screws (AA3) are designed for fixing to concrete walls only.

Please consult your local hardware store to ensure you are using the correct hardware for you wall type.



Installation Instructions :

1. Attach bracket (AA1) securely to the back top of the furniture using screw (AA4) provided. Allow 8 - 10 cm from each side.
2. Please make a hole for wall plugs position on the wall and minimum 15 mm below bracket secured to the back of unit attach the wall plugs (AA2).
3. Locate the other bracket (AA1) on the wall over wall plugs (AA2). Place furniture into position so both brackets (AA1) are vertically in the line.
4. Lace the end of the restrains strap through the larger hole in each bracket. Ensure the restrains strap with grids surface facing the inner loops. Bring both ends together and slide the flat end through the locking end and draw it through until all slack is removed.
5. Make sure that the strap is securely laced & locked.