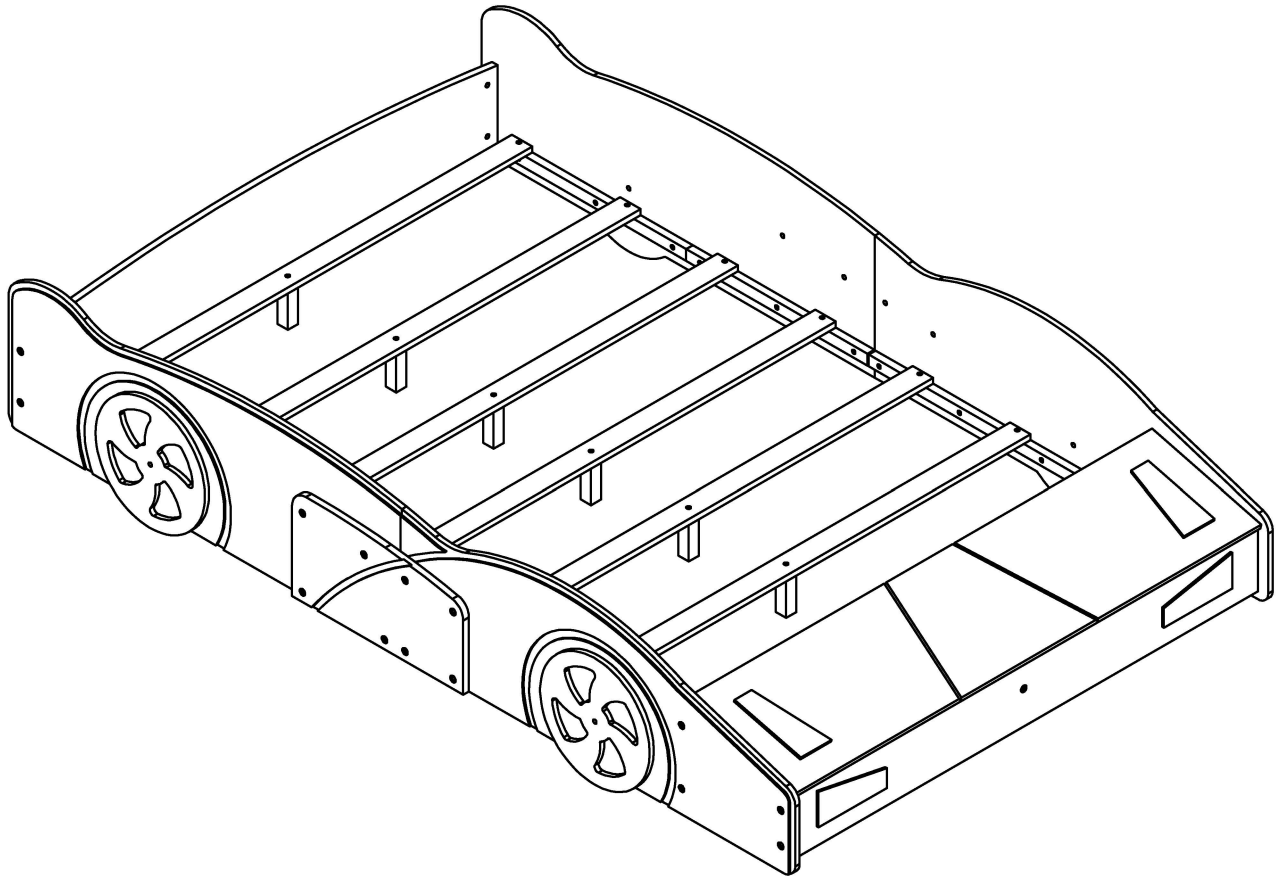
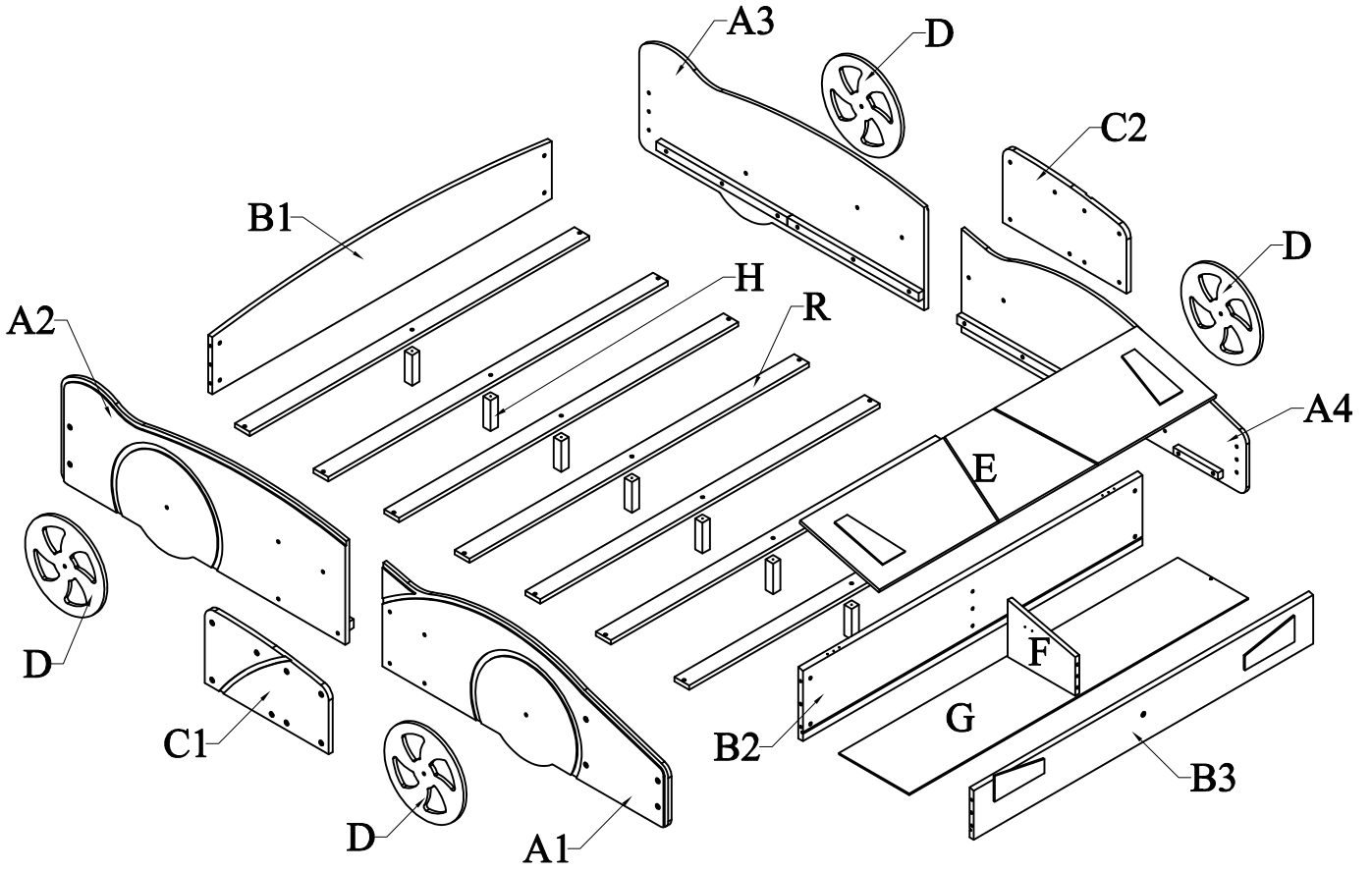


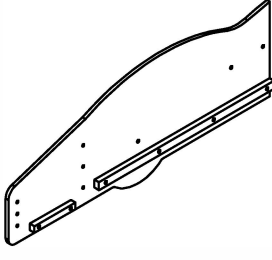
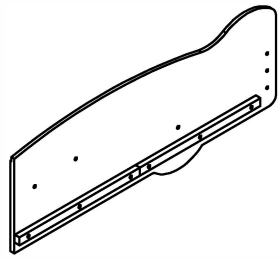
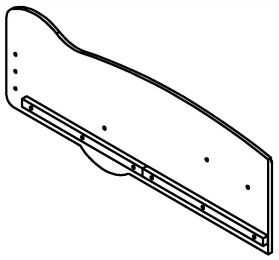
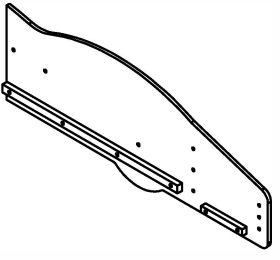
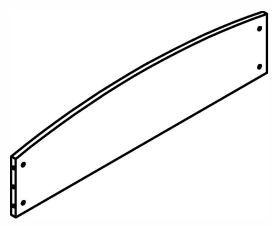
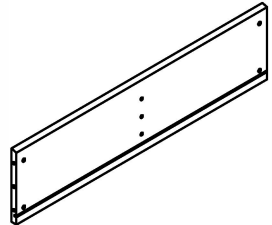
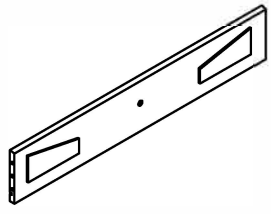
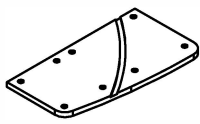
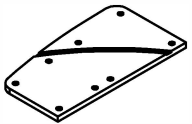

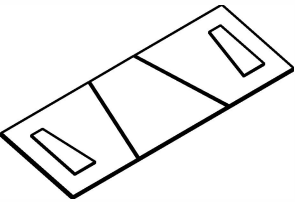
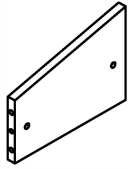
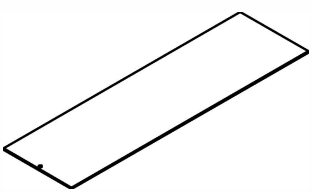
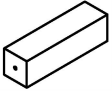
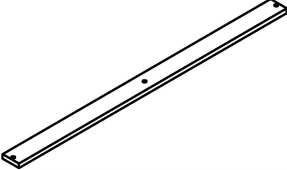
ASSEMBLY INSTRUCTIONS





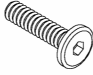


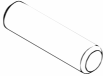
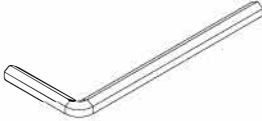
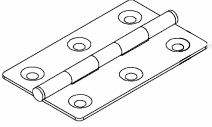
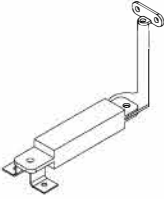
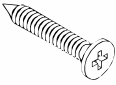
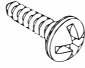

DETAIL VIEW



BOX

<p>A1</p>  <p>Top panel (1sets)</p>	<p>A2</p>  <p>Bottom panel (1pc)</p>	<p>A3</p>  <p>Support - bottom (2pcs)</p>	<p>A4</p>  <p>Back rail (2pcs)</p>
<p>B1</p>  <p>Horizontal rail - back (1pc)</p>	<p>B2</p>  <p>Horizontal rail - middle (1pc)</p>	<p>B3</p>  <p>Horizontal rail - front (1pc)</p>	<p>C1</p>  <p>Support side rail - left (1pc)</p>
<p>C2</p>  <p>Support side rail - right (1pc)</p>	<p>D</p>  <p>Wheel (4pcs)</p>	<p>E</p>  <p>Top panel (1pc)</p>	<p>F</p>  <p>Partition panel (1pc)</p>
<p>G</p>  <p>Bottom panel (1pc)</p>	<p>H</p>  <p>Support (7pcs)</p>	<p>R</p>  <p>Slats (7pcs)</p>	

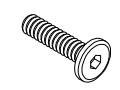

HARDWARE LIST

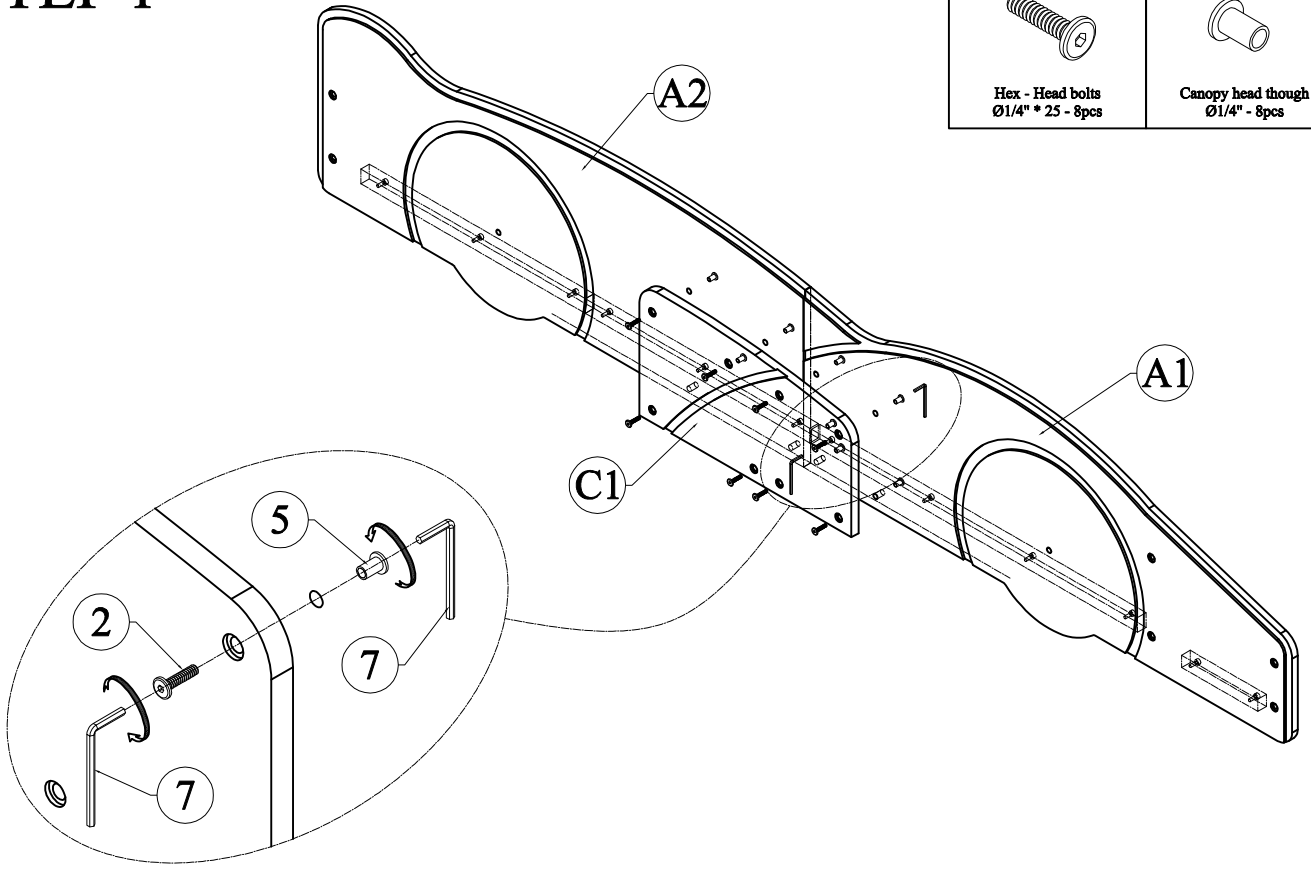
<p>1</p>  <p>Hex - Head bolts Ø1/4" * 60 - 14pcs</p>	<p>2</p>  <p>Hex - Head bolts Ø1/4" * 25 - 16pcs</p>	<p>3</p>  <p>Hex - Head bolts Ø1/4" * 15 - 4pcs</p>	<p>4</p>  <p>Horizontal - Hold bolts Ø1/4" - 16pcs</p>
<p>5</p>  <p>Canopy head though Ø1/4" - 20pcs</p>	<p>6</p>  <p>Wood dowel Ø8 * 30 - 10pcs</p>	<p>7</p>  <p>Allen key K4 - 2pc</p>	<p>8</p>  <p>Hinge - 2pcs</p>
<p>9</p>  <p>Folded patt - 1pcs</p>	<p>10</p>  <p>Wood crews M4 * 25 - 21pcs</p>	<p>11</p>  <p>Round wood crews M3.5 * 15 - 4pcs</p>	<p>12</p>  <p>Wood crews M3.5 * 15 - 12pcs</p>



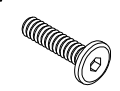

Assembly Tools Required (Not Included)

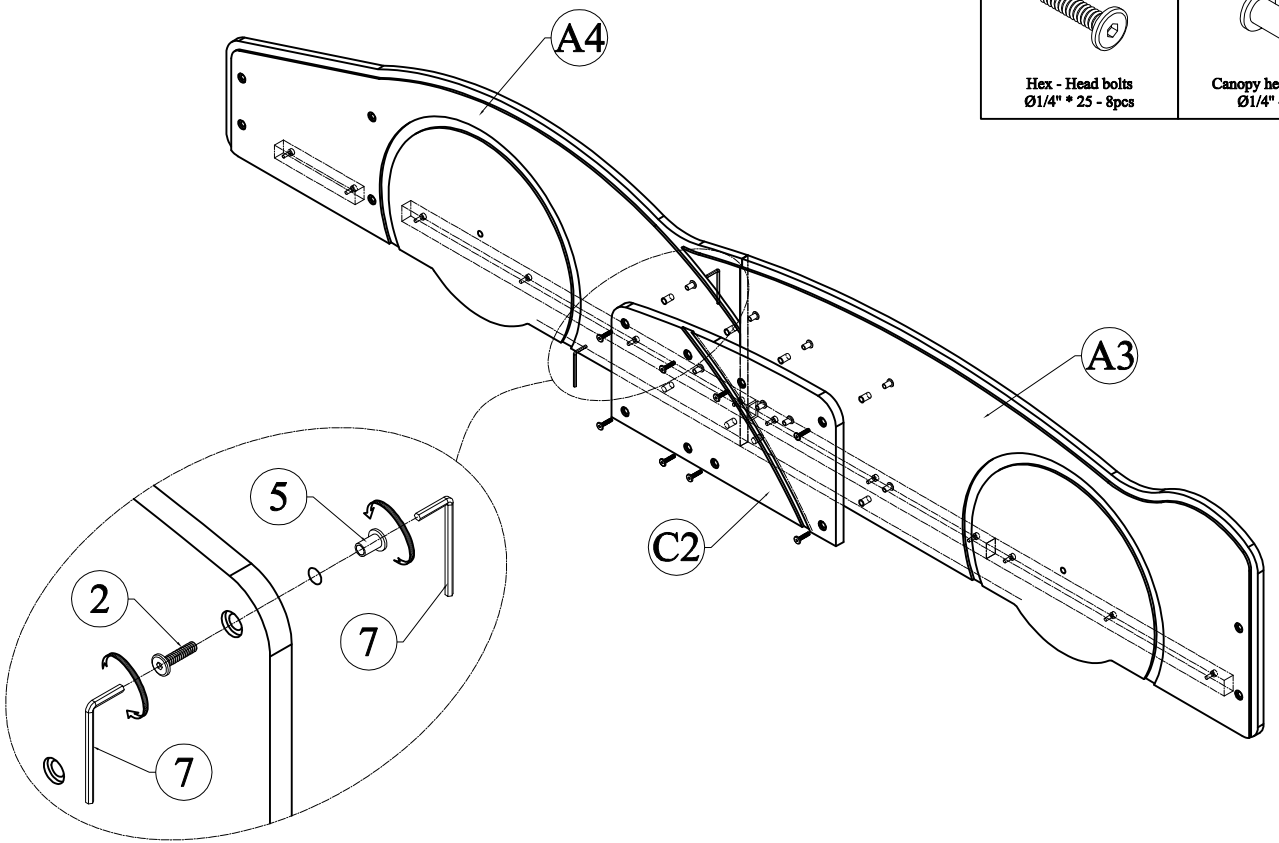
STEP 1

<p>2</p>  <p>Hex - Head bolts Ø1/4" * 25 - 8pcs</p>	<p>5</p>  <p>Canopy head though Ø1/4" - 8pcs</p>
--	---

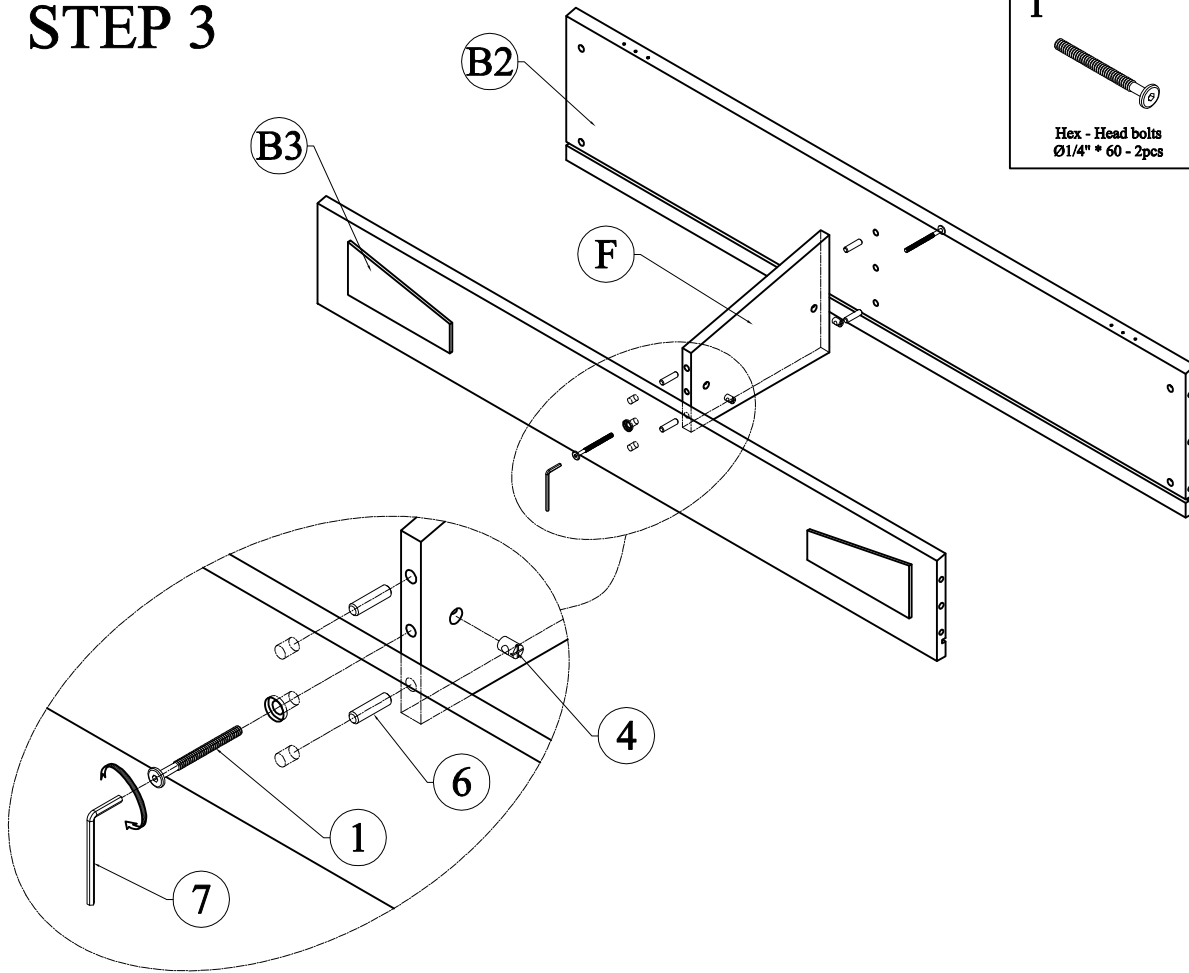


STEP 2

<p>2</p>  <p>Hex - Head bolts Ø1/4" * 25 - 8pcs</p>	<p>5</p>  <p>Canopy head though Ø1/4" - 8pcs</p>
--	---



STEP 3



1

Hex - Head bolts
Ø1/4" * 60 - 2pcs

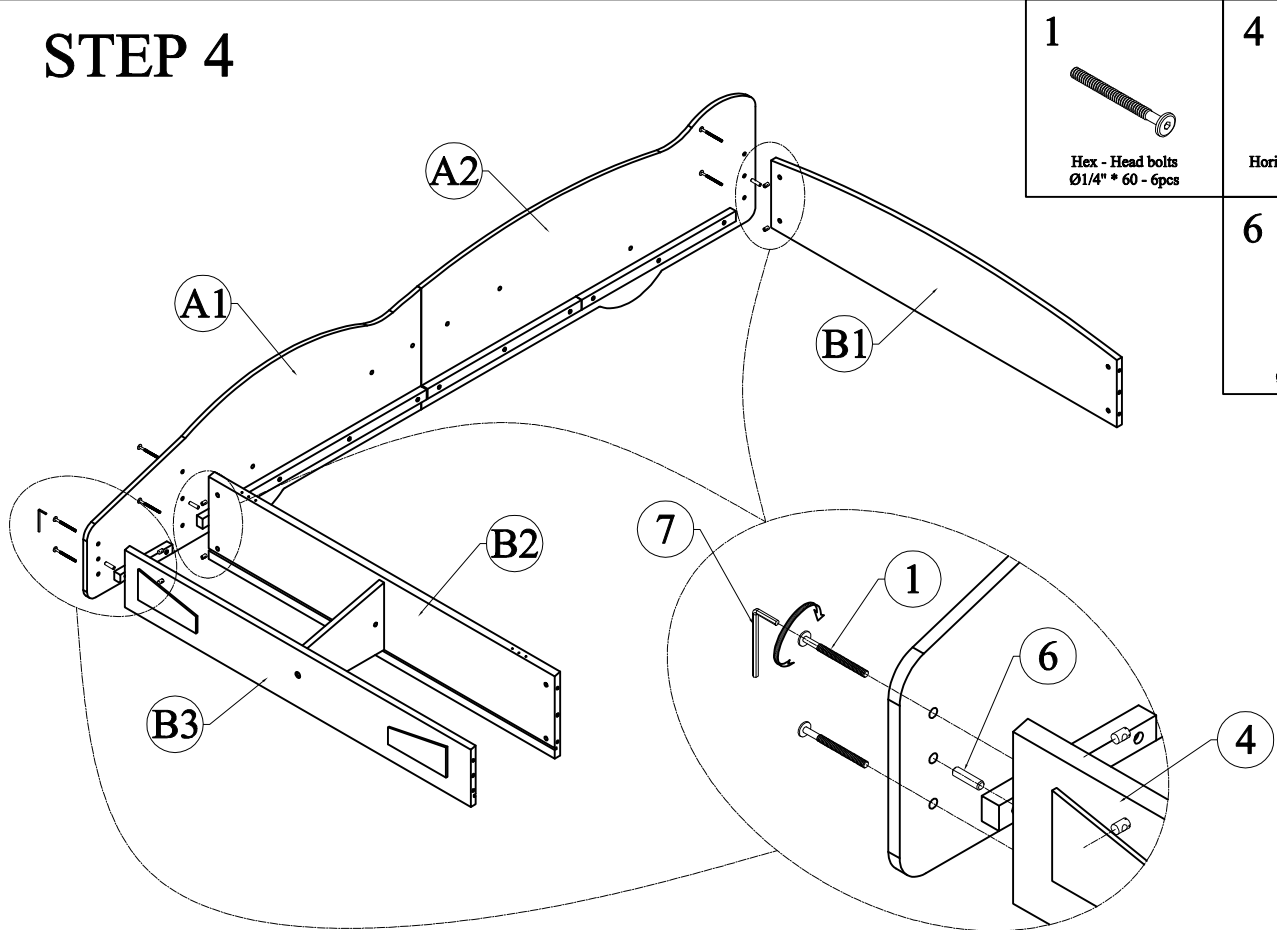
4

Horizontal - Hold bolts
Ø1/4" - 2pcs

6

Wood dowel
Ø8 * 30 - 4pcs

STEP 4



1

Hex - Head bolts
Ø1/4" * 60 - 6pcs

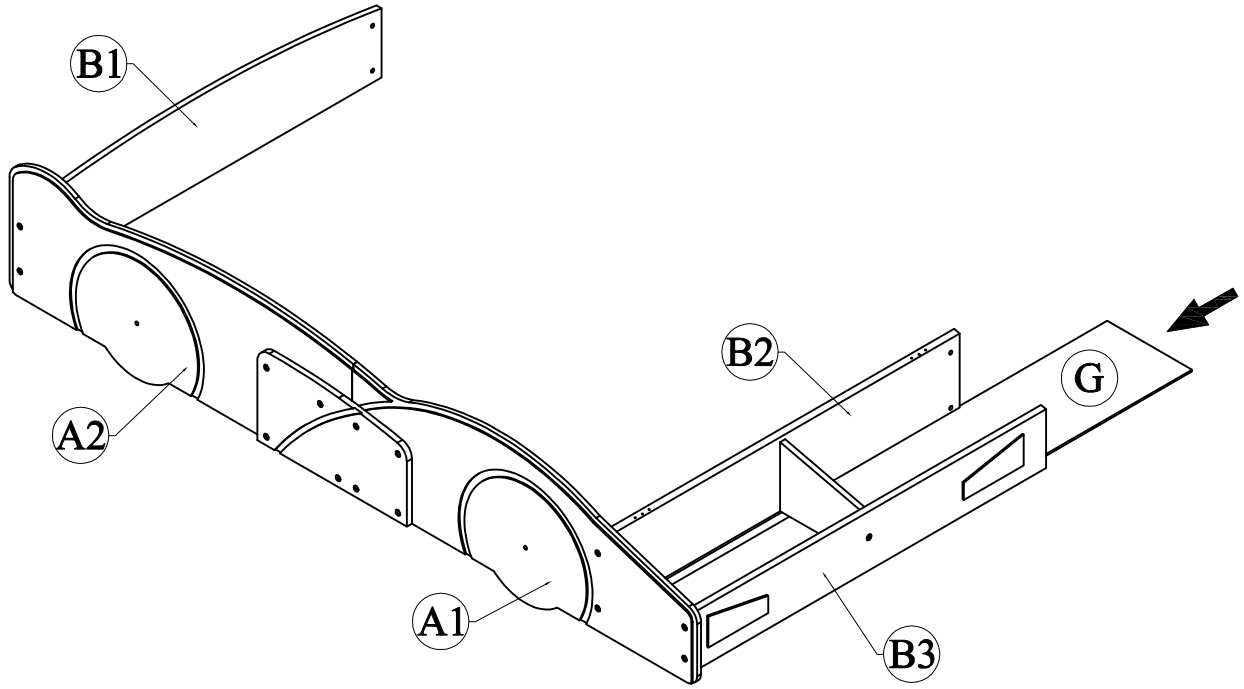
4

Horizontal - Hold bolts
Ø1/4" - 6pcs

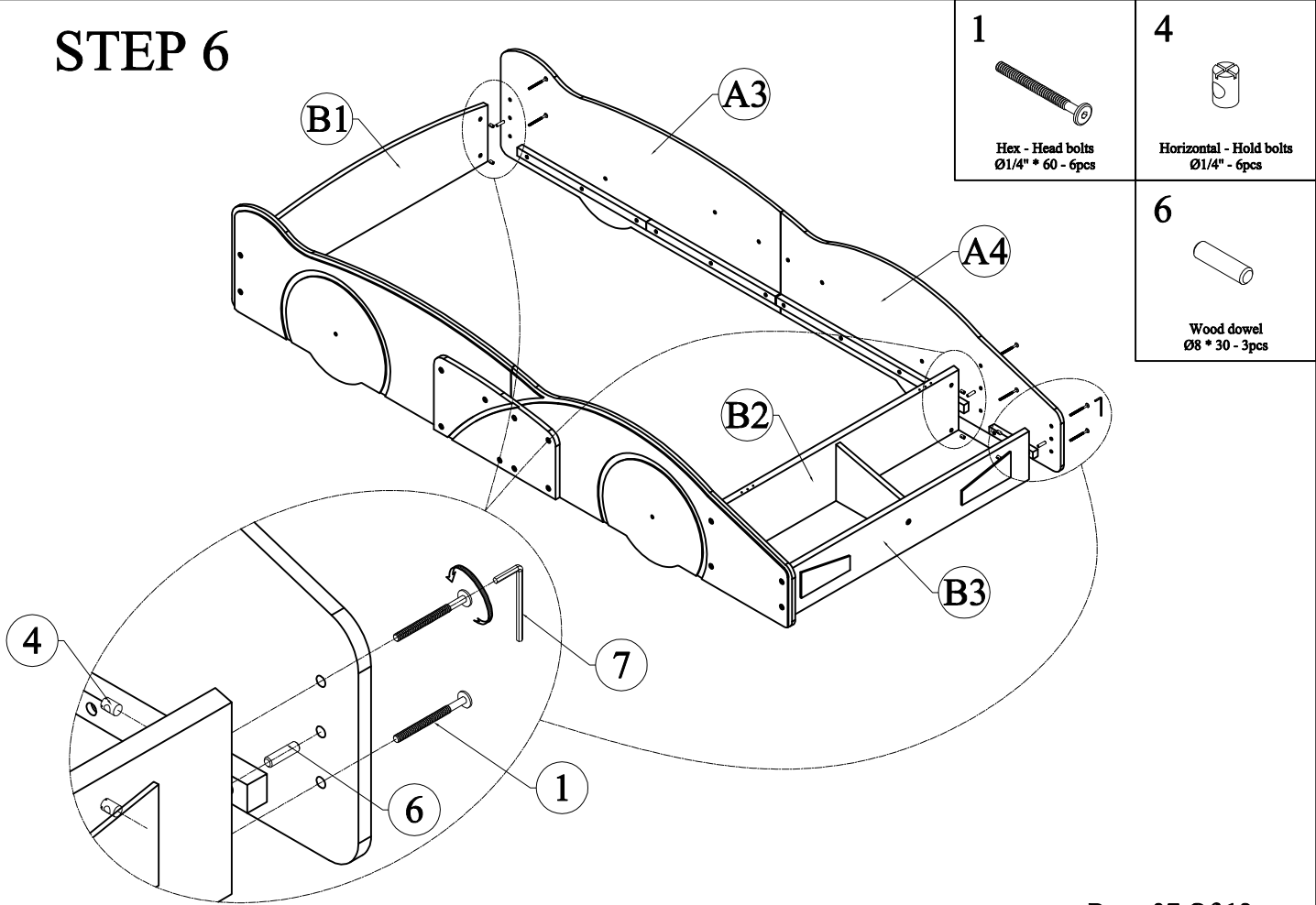
6

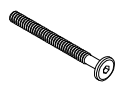

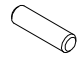
Wood dowel
Ø8 * 30 - 3pcs

STEP 5



STEP 6



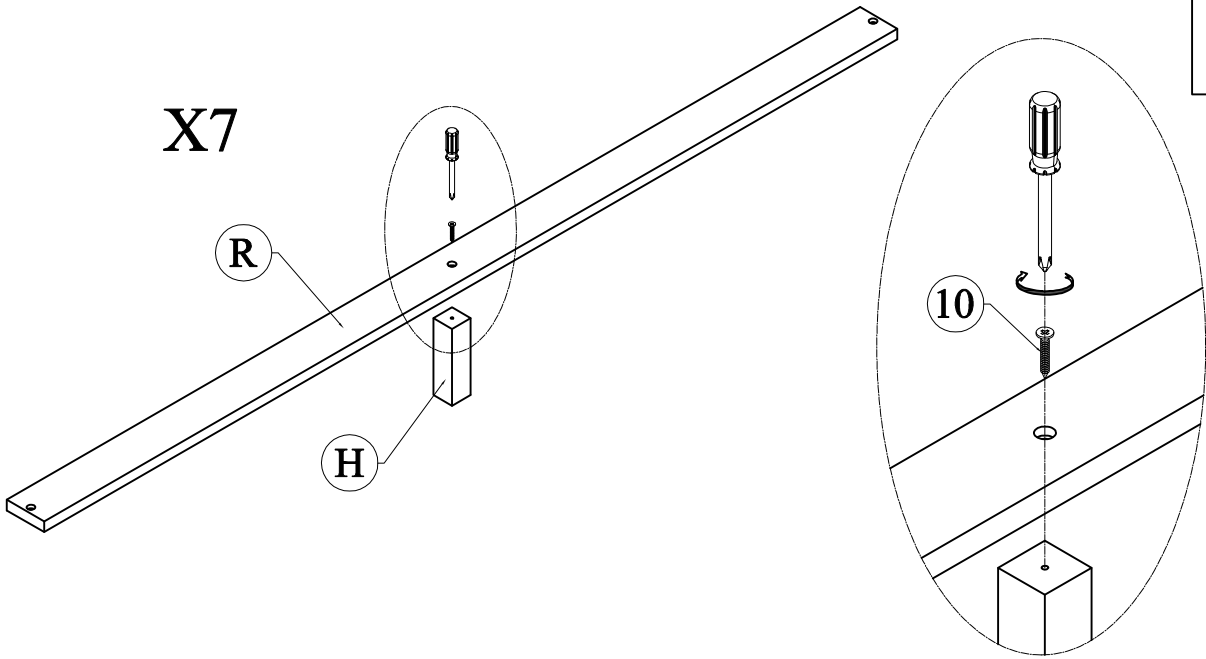
<p>1</p>  <p>Hex - Head bolts Ø1/4" * 60 - 6pcs</p>	<p>4</p>  <p>Horizontal - Hold bolts Ø1/4" - 6pcs</p>
<p>6</p>  <p>Wood dowel Ø8 * 30 - 3pcs</p>	

STEP 7

10



Wood screws
M4 * 25 - 7pcs



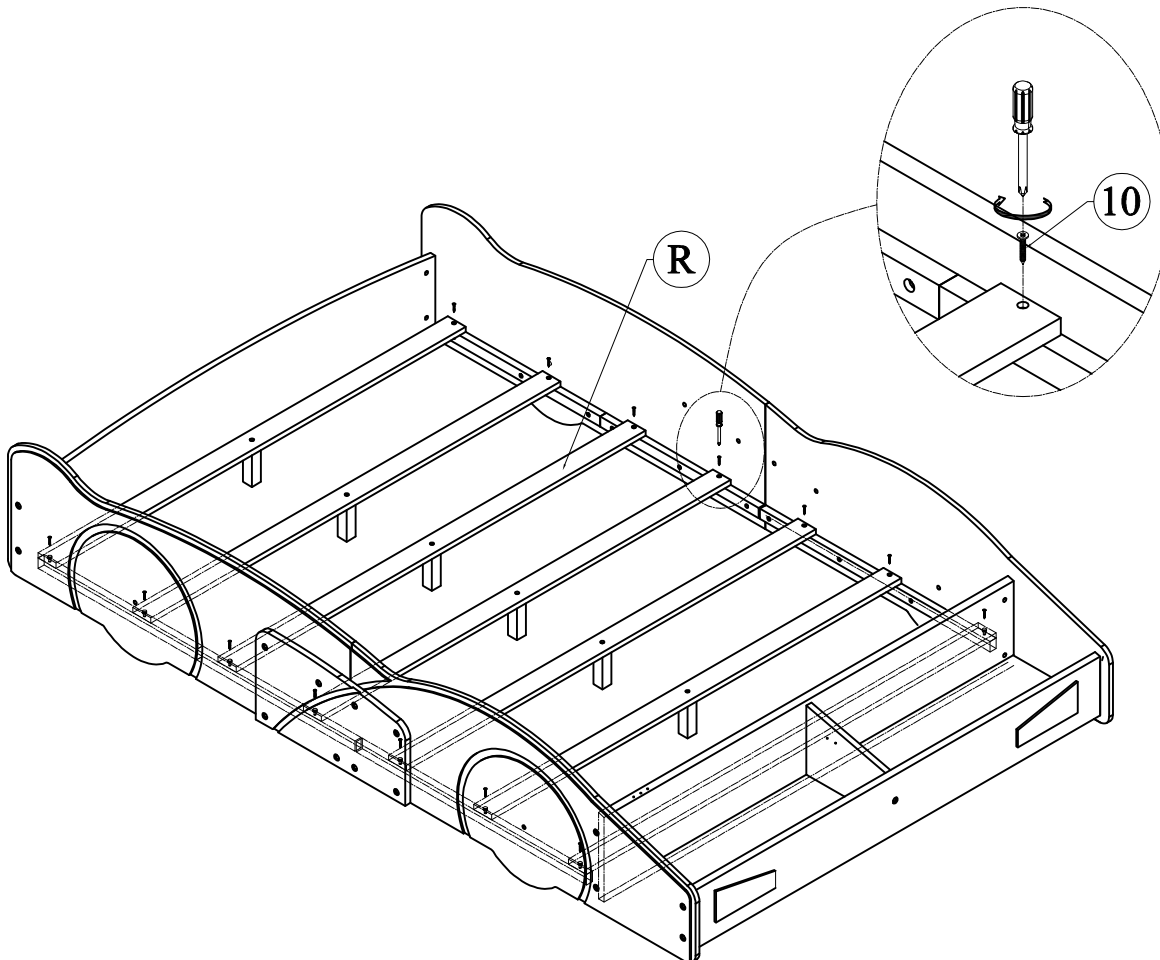
STEP 8

The distance between the slats is 10 inch

10

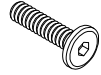


Wood screws
M4 * 25 - 14pcs




STEP 9

3

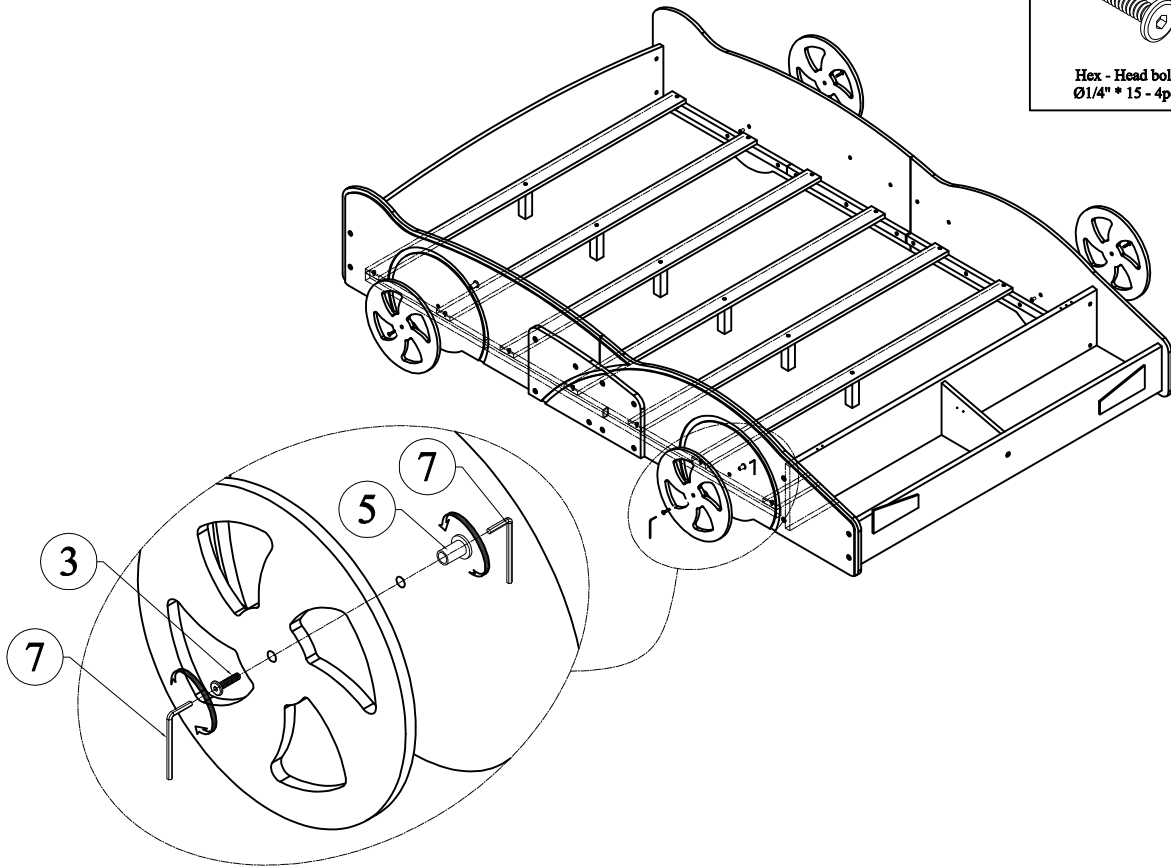


Hex - Head bolts
Ø1/4" * 15 - 4pcs

5

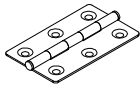


Canopy head through
Ø1/4" - 4pcs




STEP 10

8

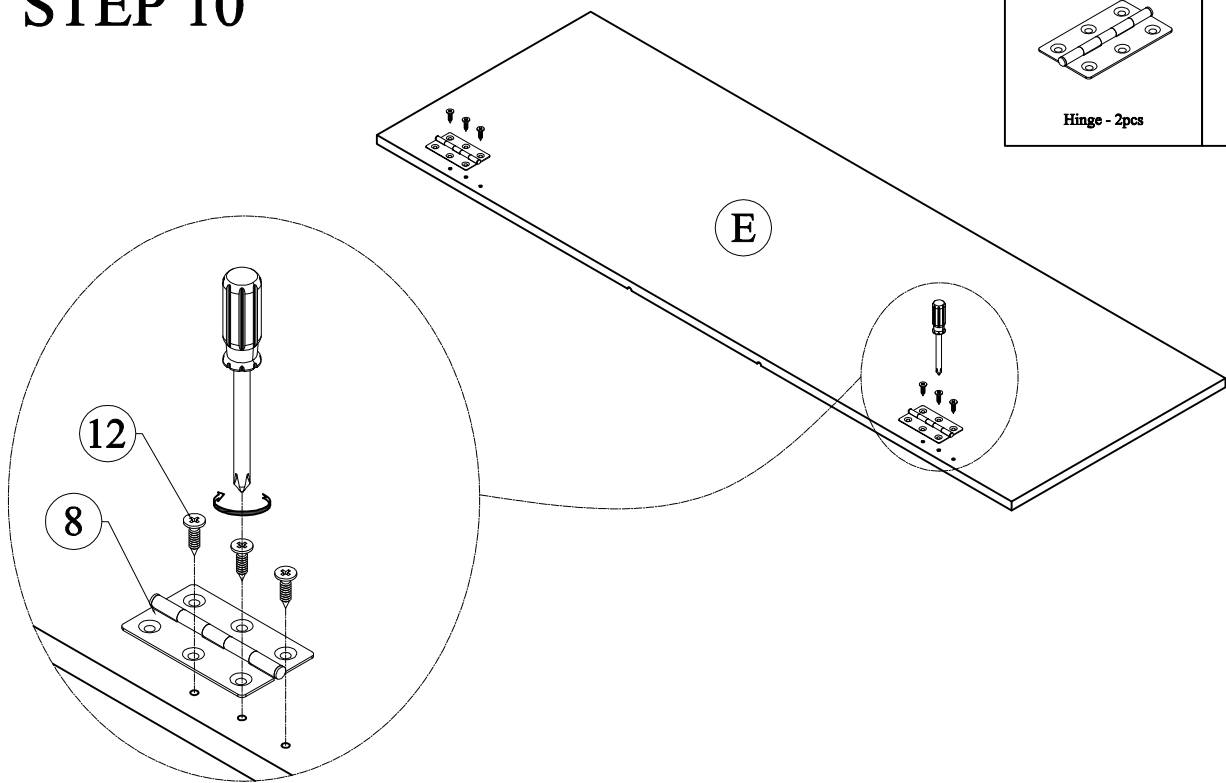


Hinge - 2pcs

12



Wood crews
M3.5 * 15 - 6pcs

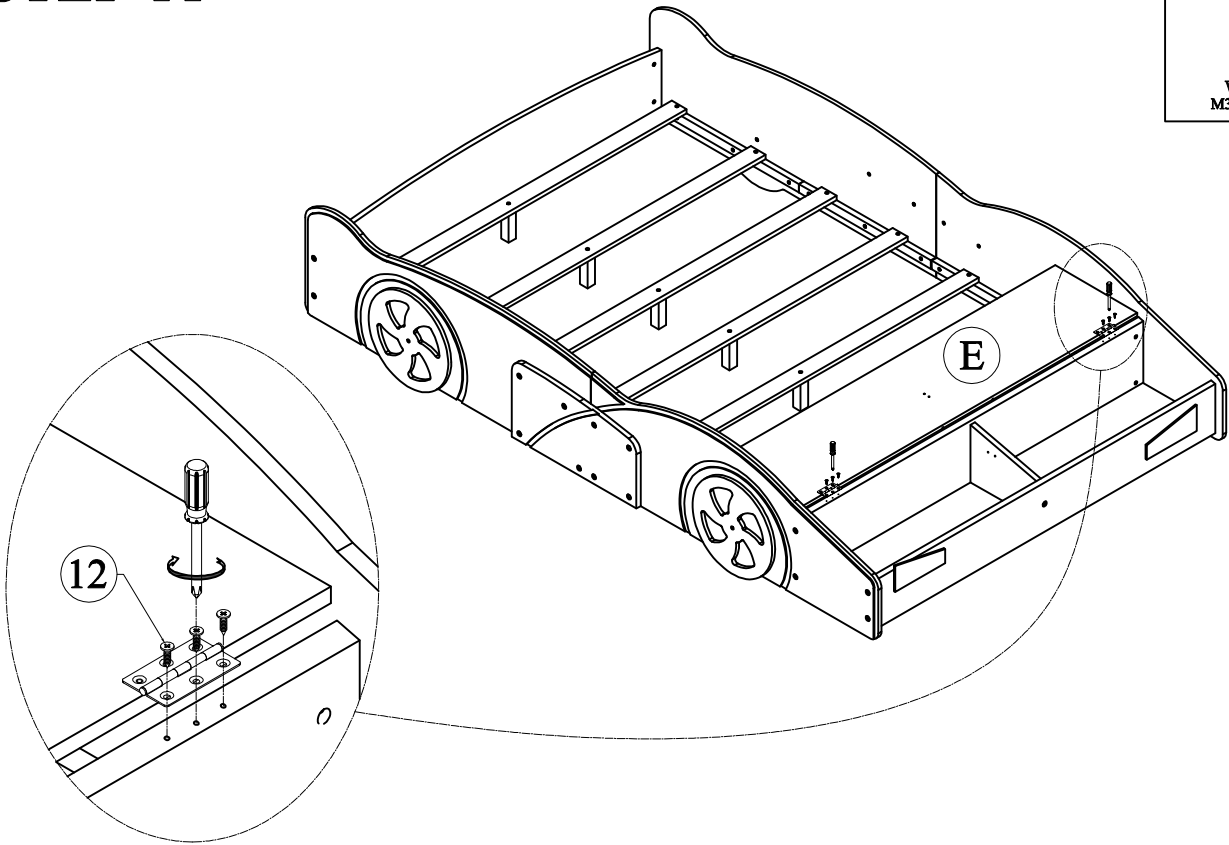


STEP 11

12

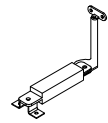


Wood crews
M3.5 * 15 - 6pcs



STEP 12

9

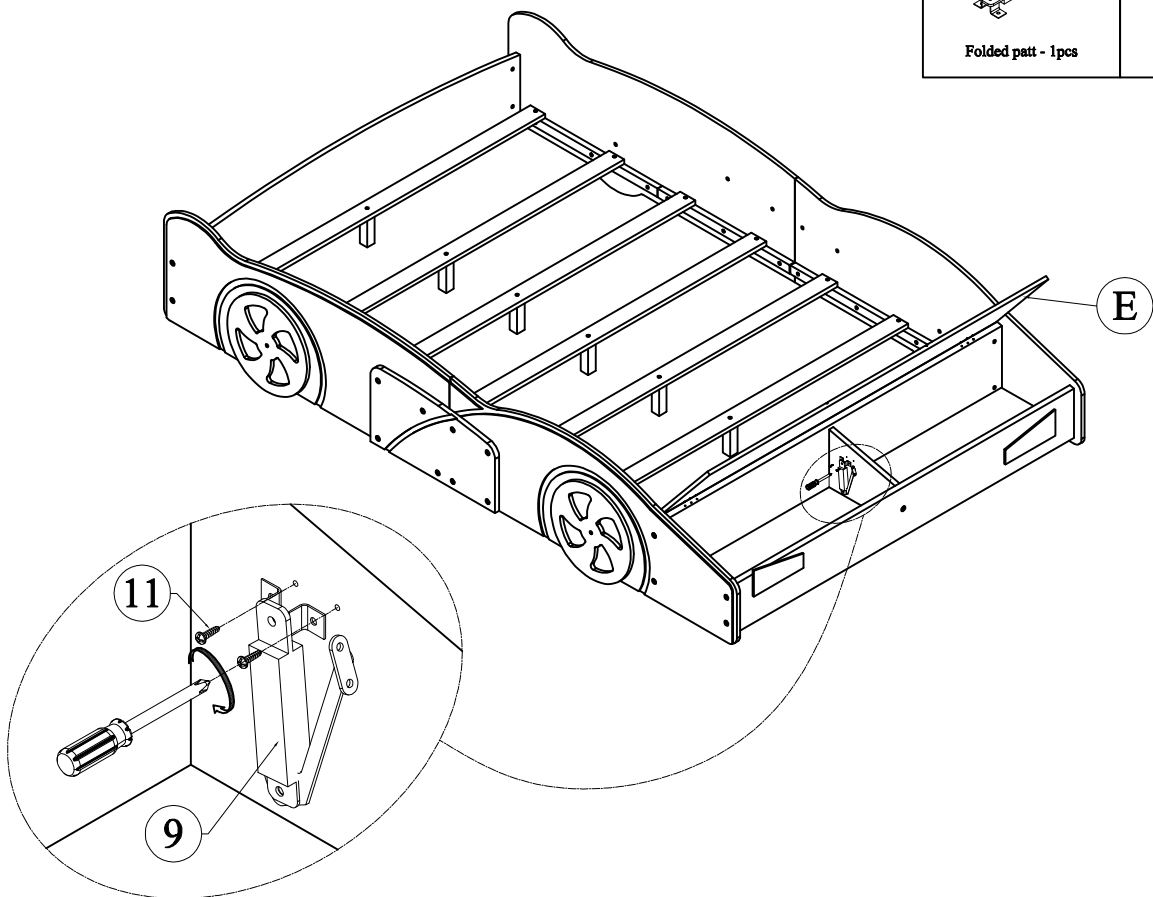


Folded part - 1pcs

11



Round wood crews
M3.5 * 15 - 2pcs

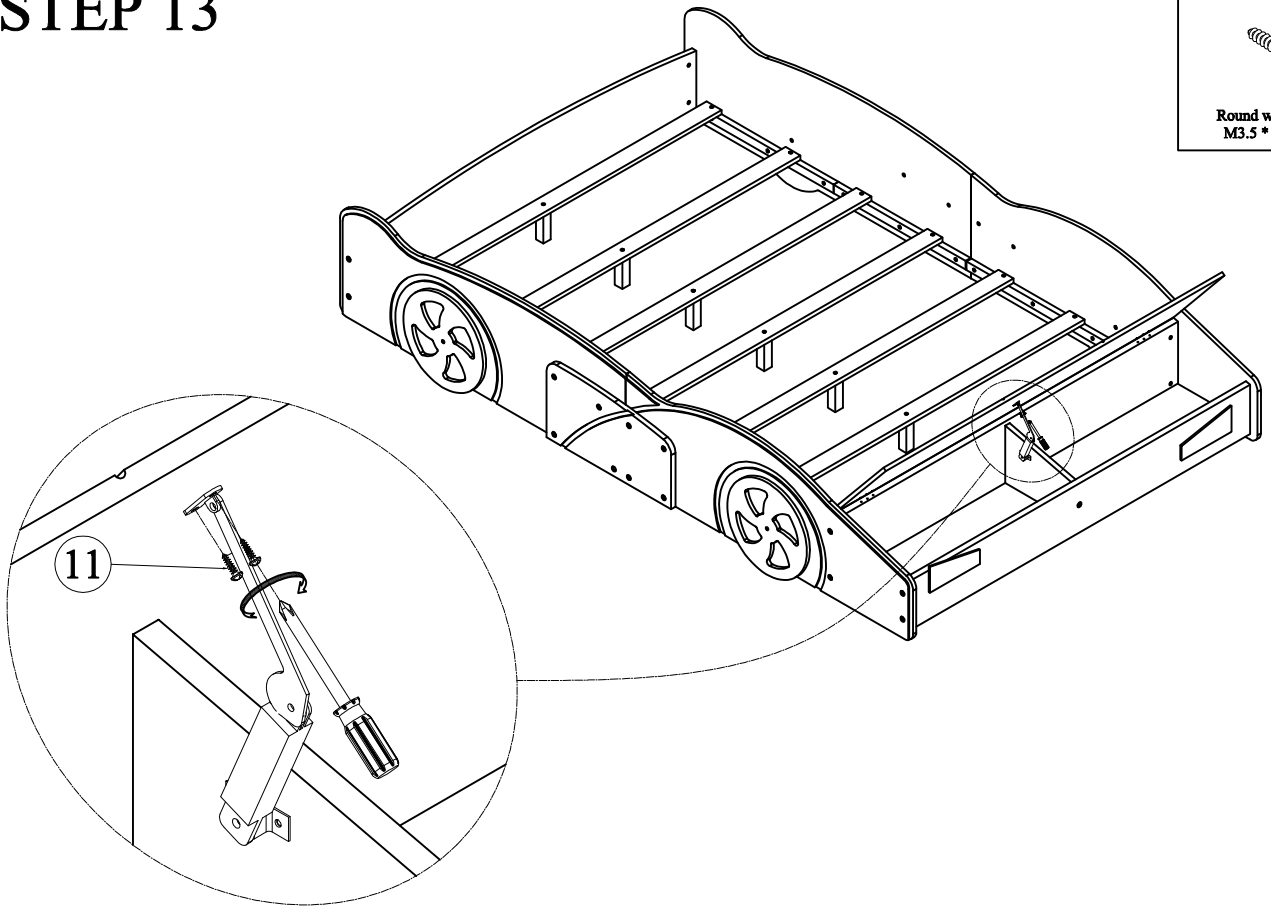


STEP 13

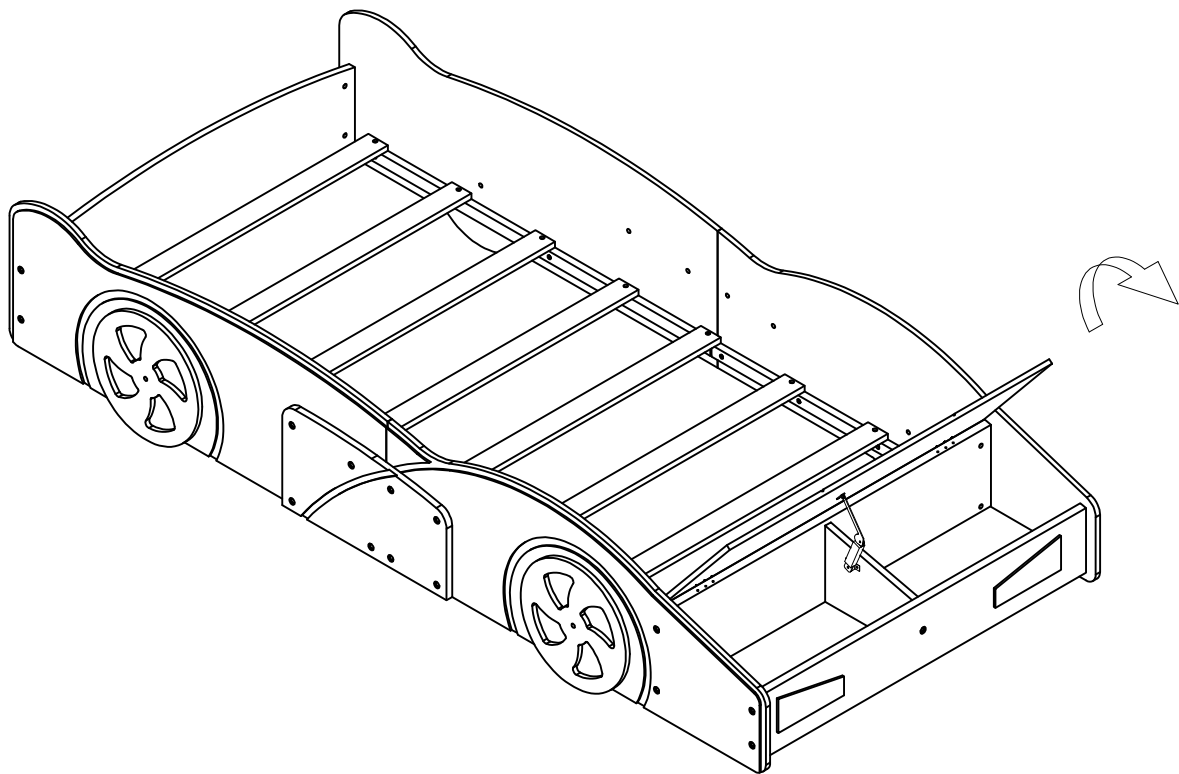
11



Round wood crews
M3.5 * 15 - 2pcs



STEP 14



COMPLETED

