

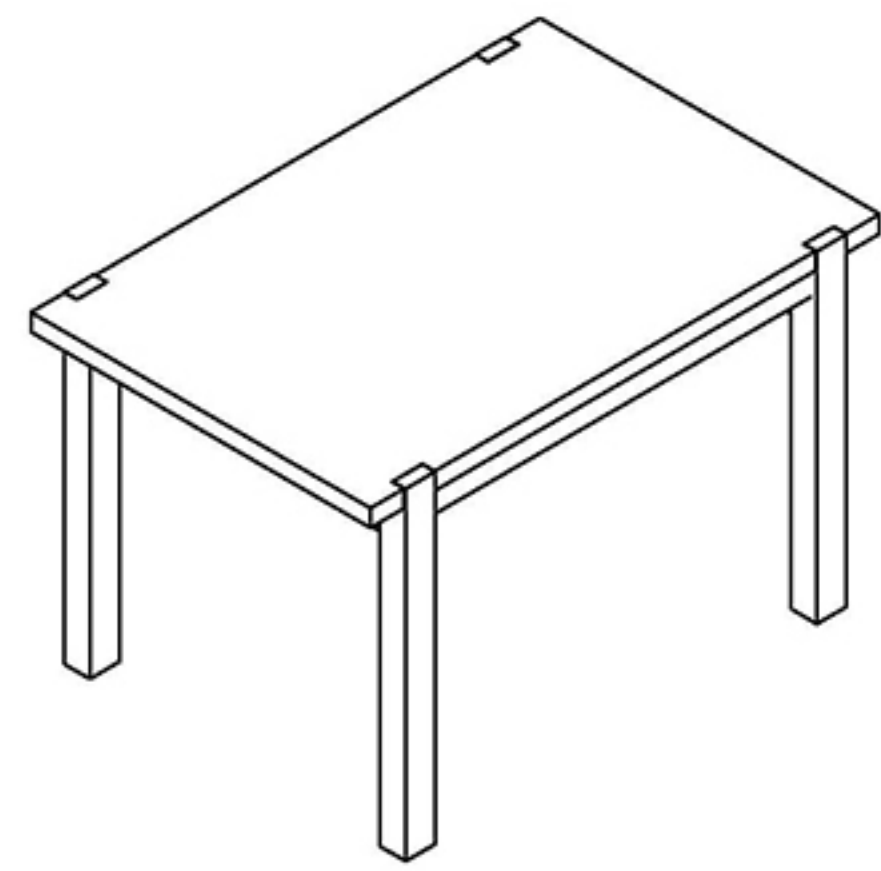
## ASSEMBLY INSTRUCTION

### PLEASE READ BEFORE ASSEMBLING!

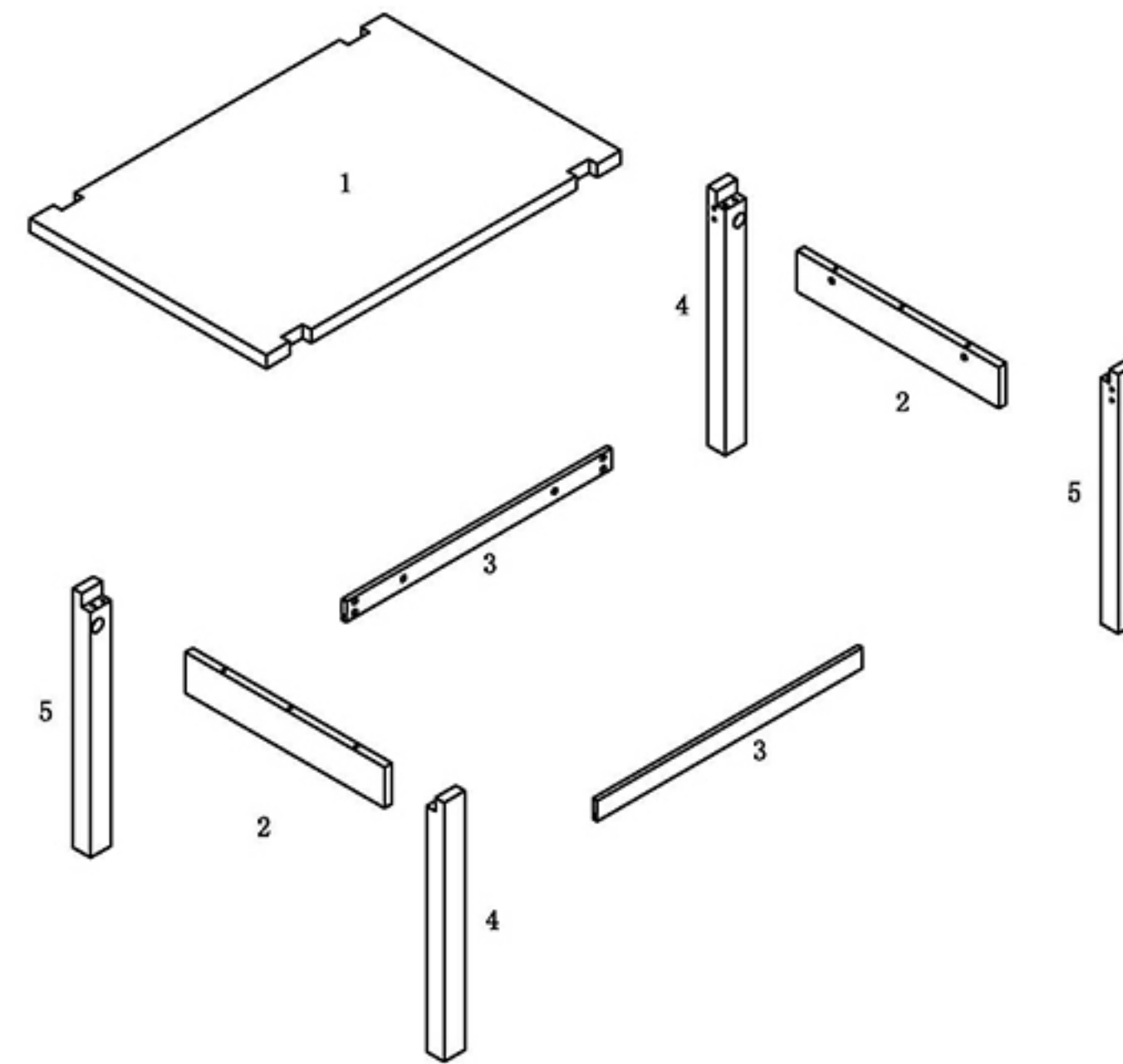
Tip #1: Make sure you've taken all the pieces and hardware out of its packaging before discarding the box.

Tip #2: Using page 2 and/or page 3 of instruction manual make sure all pieces and hardware are accounted for.

Tip #3: Read manual before assembling, it helps!



## PARTS IDENTIFICATION



- (1) 1pc
- (2) 2pcs
- (3) 2pcs
- (4) 2pcs
- (5) 2pcs

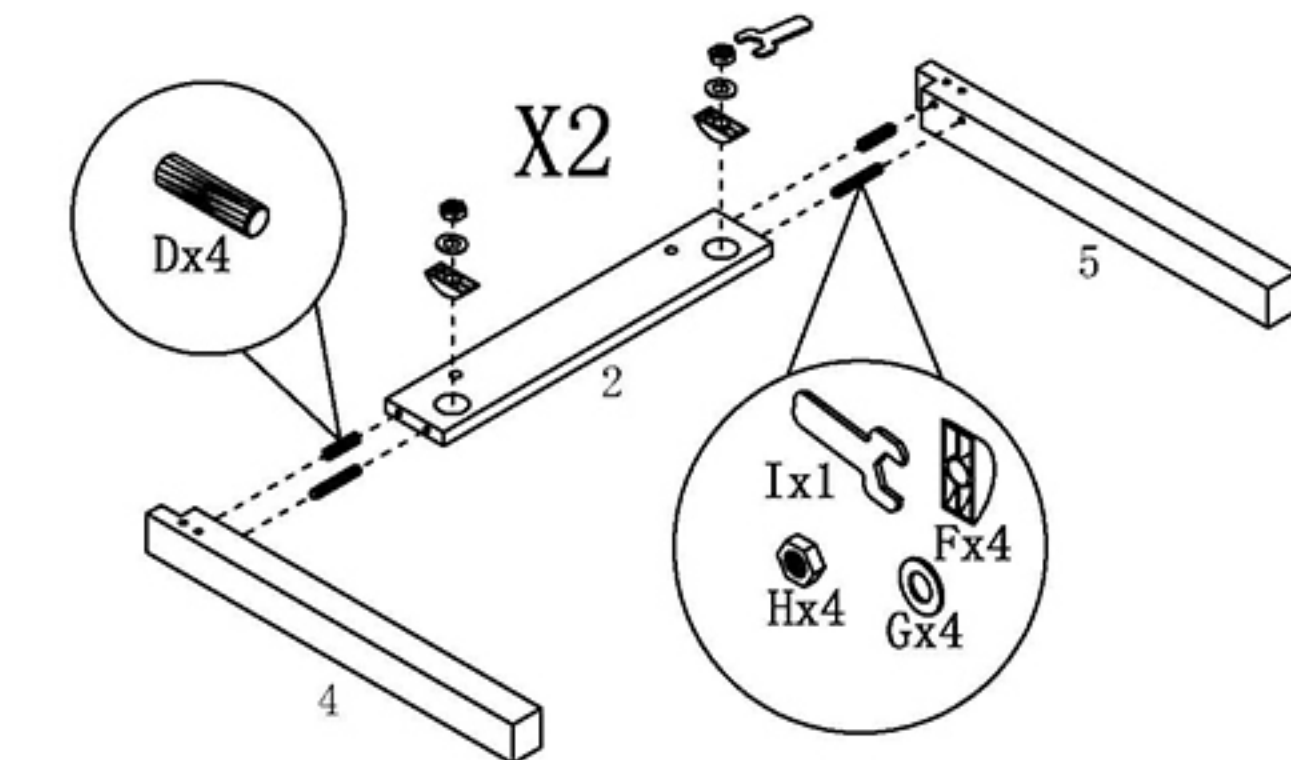
## HARDWARE IDENTIFICATION

A		L29	12pcs
B		Φ 15	12pcs
C		Φ 25	4pcs
D		Φ 8 x 25	10pcs
E		M8x70	8pcs
F		M8	8pcs
G		Φ 8 x Φ 16x2	8pcs
H		M8	8pcs
I		M13	1pc
J		Φ 45	4pcs
K		Φ 4 x 50	4pcs
L			1pc

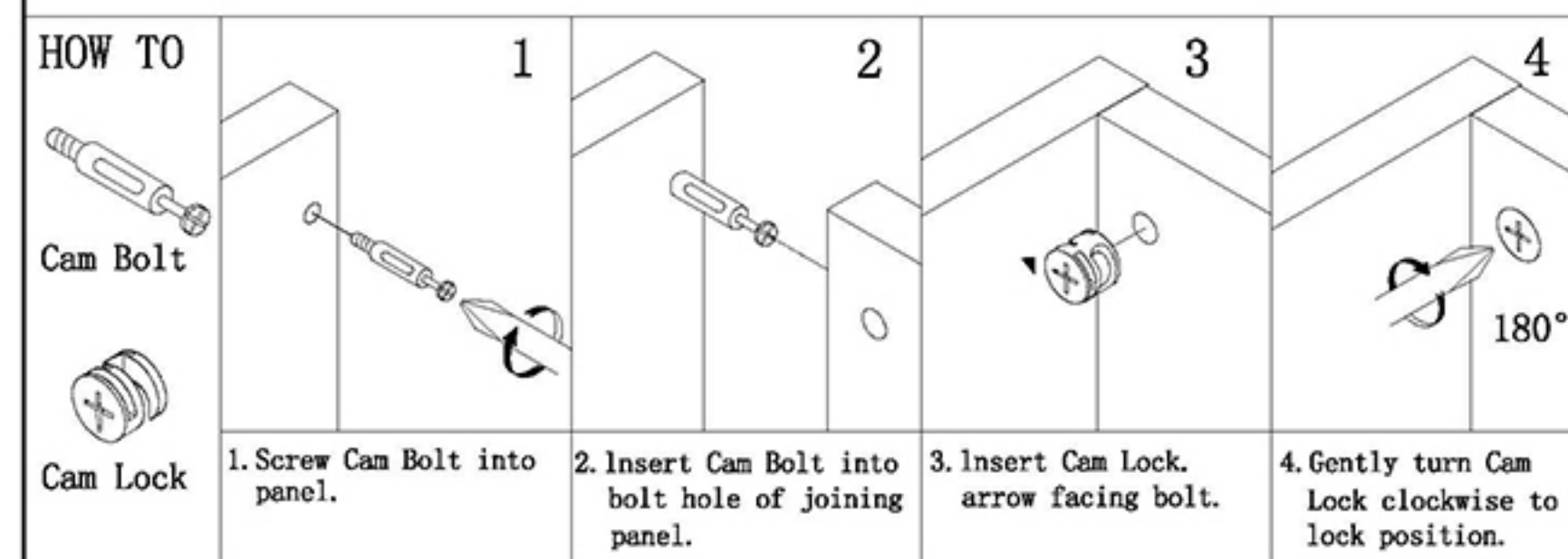
Glue: For securing please apply to wood dowel first before inserting into panel

## ASSEMBLY INSTRUCTION

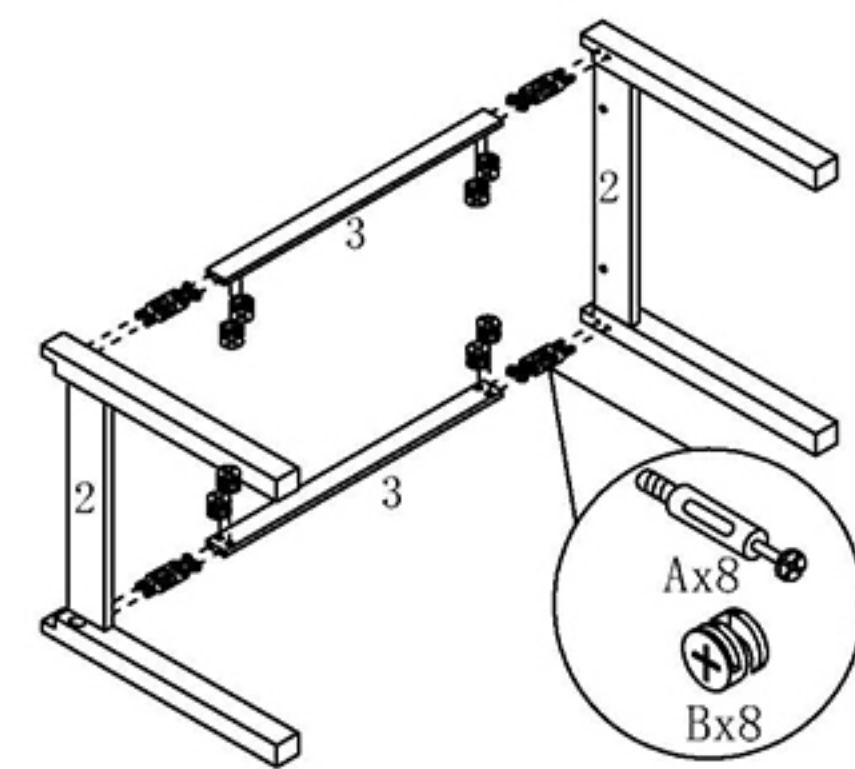
### STEP1



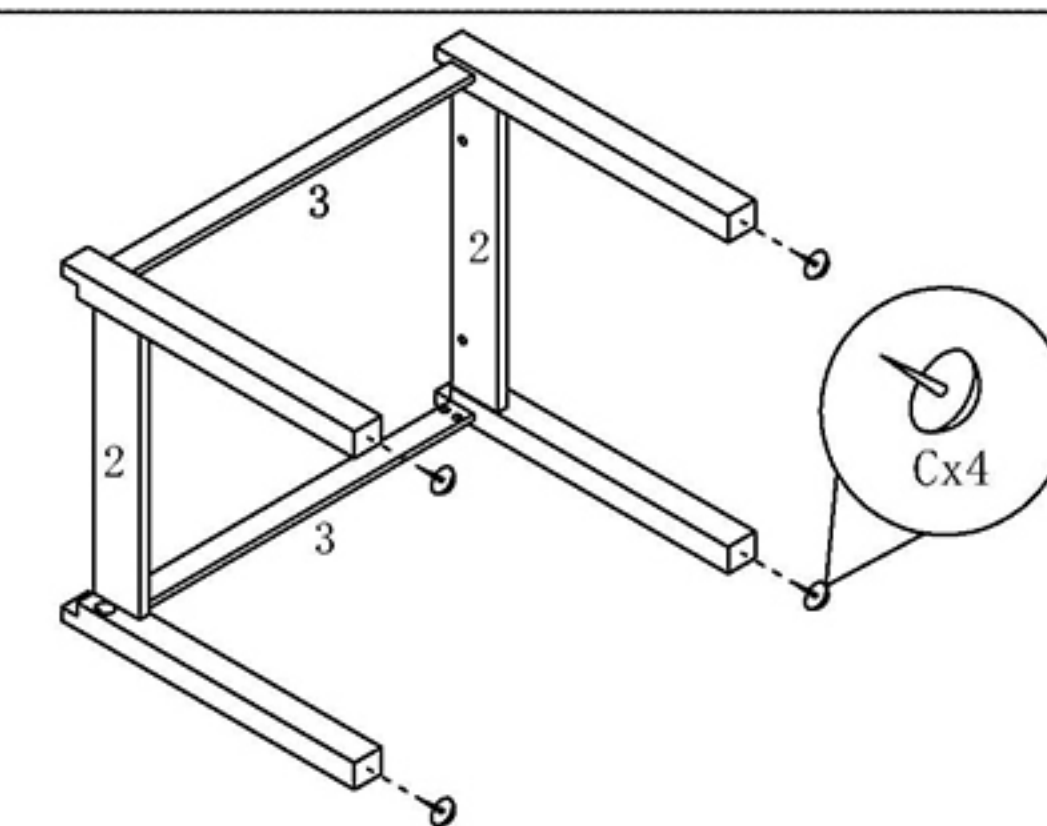
## ASSEMBLY INSTRUCTION



### STEP2

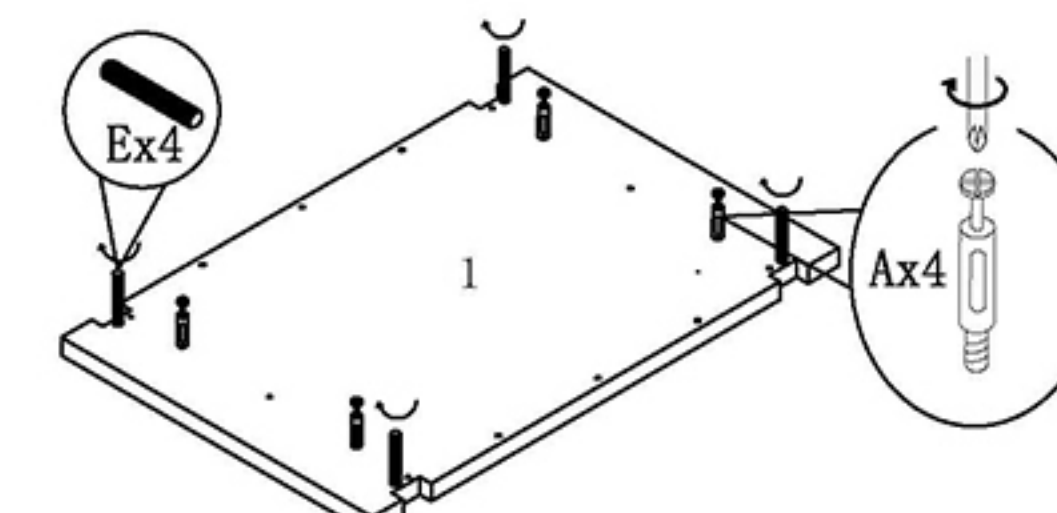


### STEP3



## ASSEMBLY INSTRUCTION

### STEP4



### STEP5

