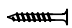

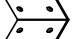
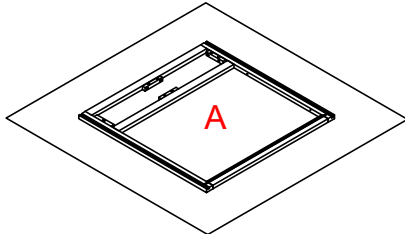


Base Cabinet Assembly Instruction

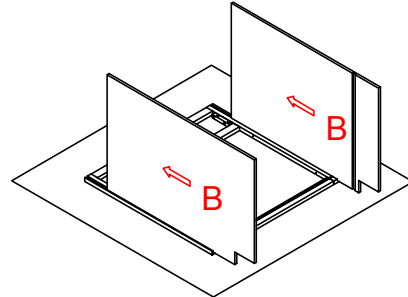
Hard Ware List	1 3PCS $\varnothing 4 \times 25\text{mm}$	5 56PCS $\varnothing 4 \times 12\text{mm}$	6 14PCS
	Flat head screw	Flat head screw	Corner brackets
			

Cabinet Parts List	A	Frame	B	Side panels(2)	C	Bottom panel	D	Back panel	E	Toe kick	G	Door(2)
	H	Drawer front										

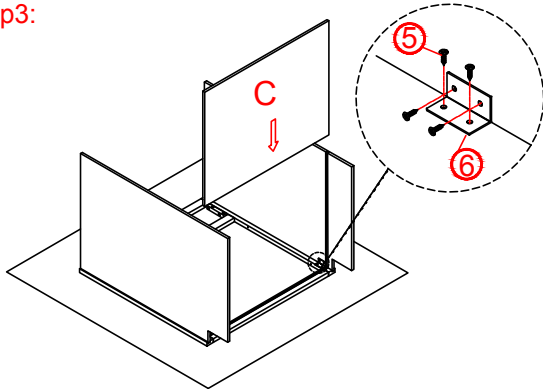
Step1:



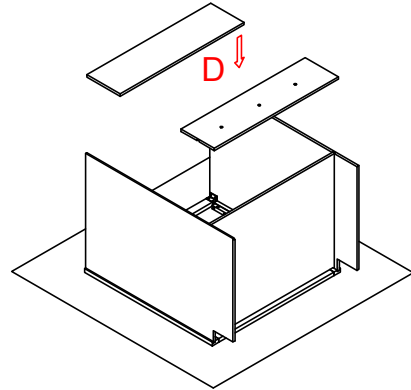
Step2:



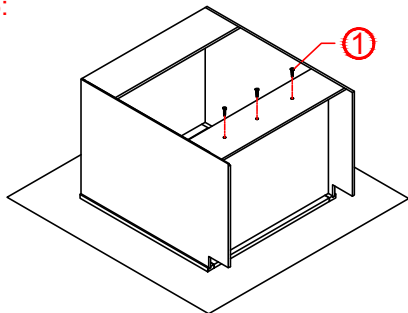
Step3:



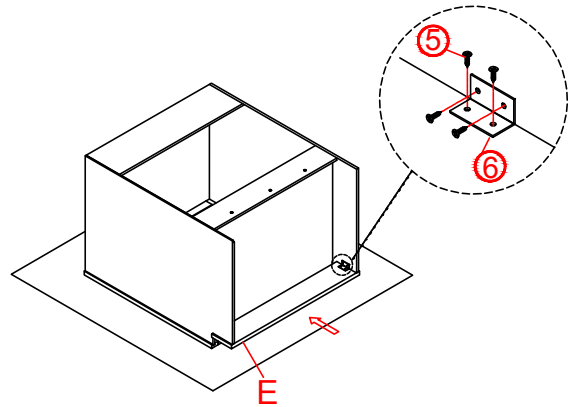
Step4:



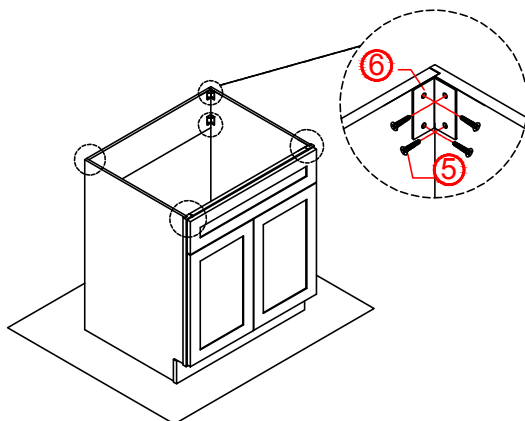
Step5:



Step6:



Step7:



Step8:

