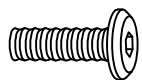


Assembly Instructions

1060040
1060041

Hardware



Ⓐ M6X20X4



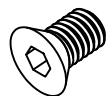
Ⓑ Ø17XØ6X1.5X4



Ⓒ M4X1

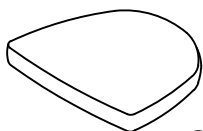


Ⓓ M3X1

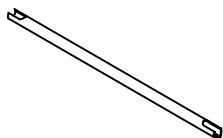


Ⓔ M5X10X4

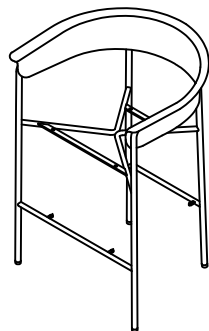
Parts



① X 1

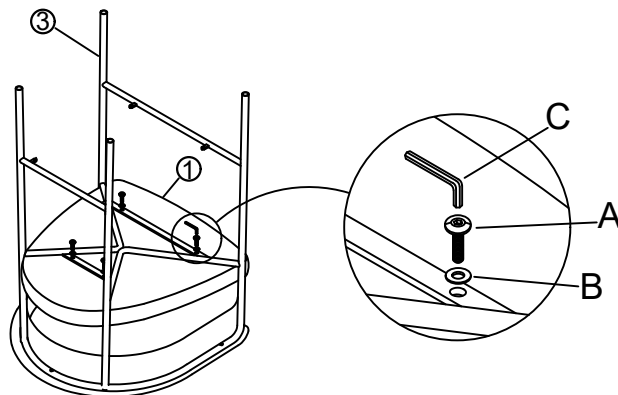


② X 2

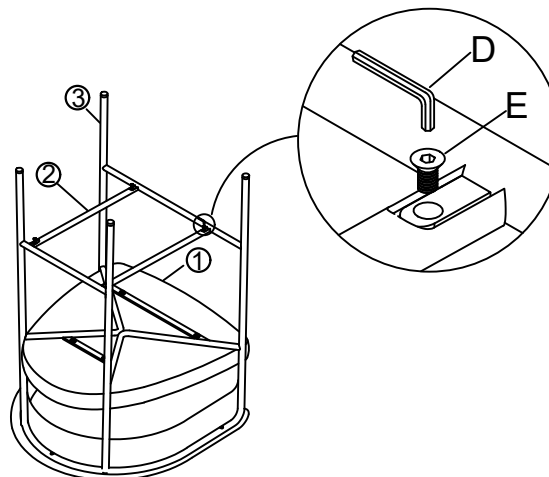


③ X 1

1



2



3

