

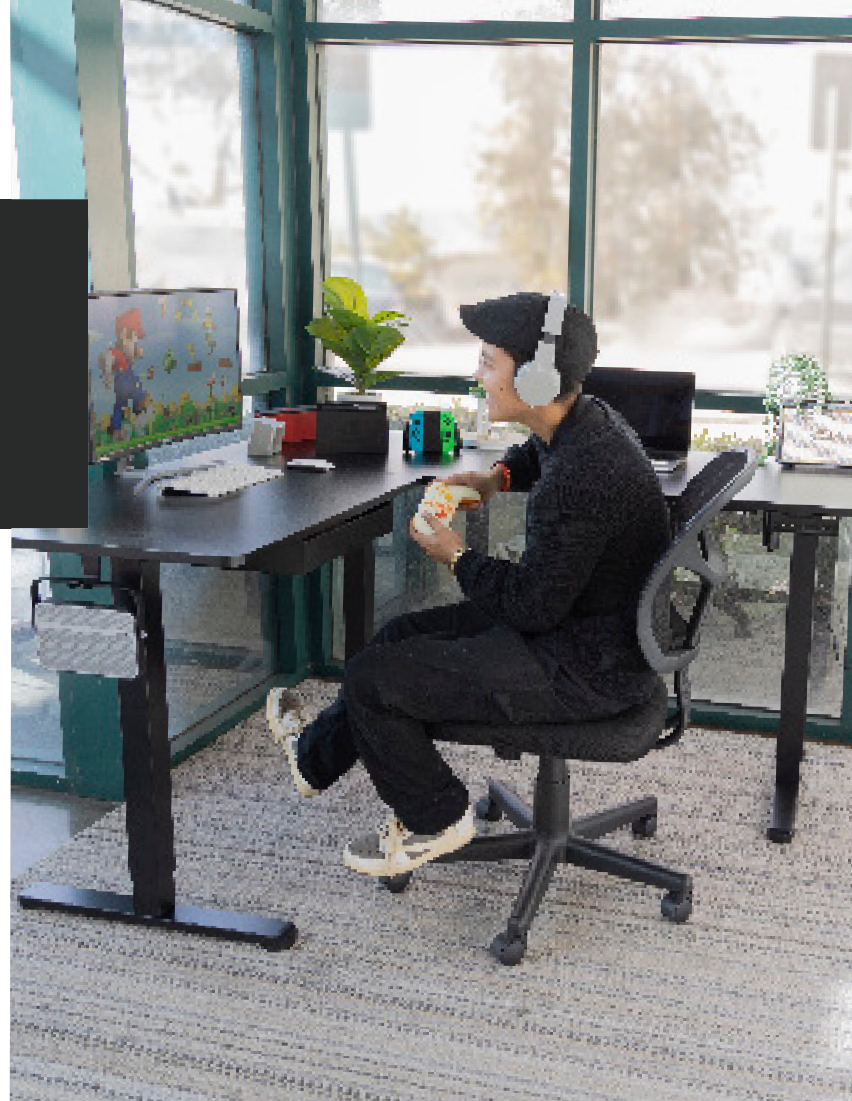
MOUNT-IT!

MI-15001 / MI-15010

XL Corner Electric Standing Desk

This standing desk has an easy-to-use touchscreen display with three customizable height presets. The desk starts at a minimum height of 28.3 inches, and can be raised up to 46.5 inches to suit various heights. The frame is constructed with steel, and has a load capacity of 176 pounds. Move from sitting to a standing position in a matter of seconds thanks to the quiet, powerful electric motor.

- Height adjustable up to 48.2" to suit any height
- Elevate your monitor or laptop to a comfortable height
- Improve posture with a standing desk configuration
- Dual motor design for smooth and quiet height adjustment
- L-shape provides maximum workspace



Features Video



Installation Video

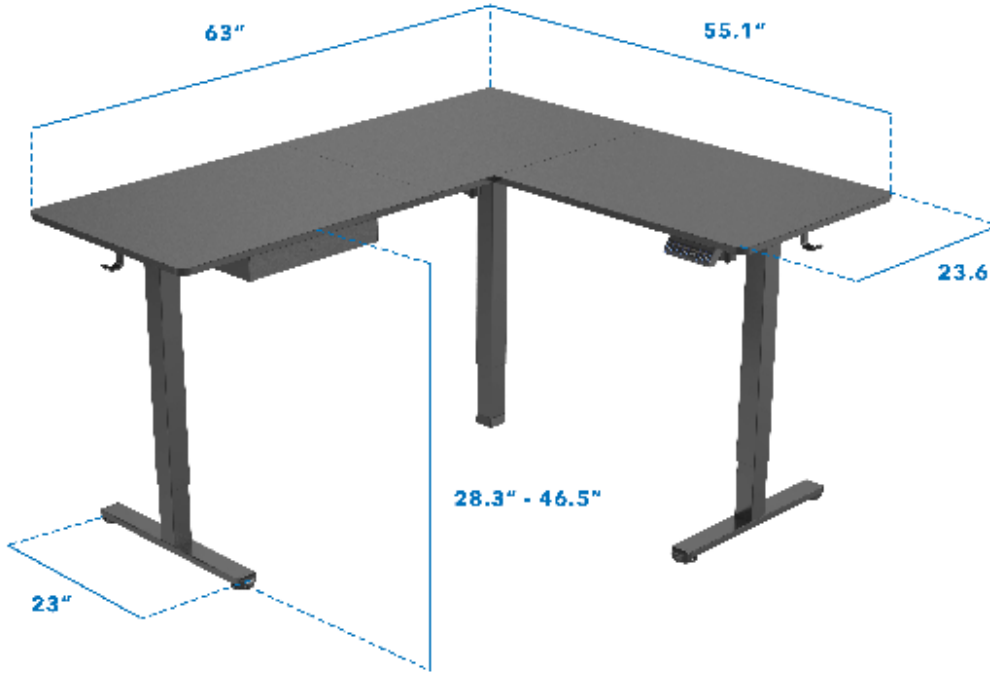


User Manual

MI-15001 / MI-15010 XL Corner Electric Standing Desk

Available in black and rustic brown

MI-15001 (black)



MI-15010 (rustic brown)



SPECIFICATIONS

Height Adjustment:	18.2"
Lift Mechanism:	Electric Control Panel
Weight Capacity:	176lbs
Materials:	Steel, Wood
Available Colors:	Black, Rustic Brown

MOUNT-IT!



Digital Control Panel



Accessory Hooks (2)



Accessory Drawer



Flexible Configuration