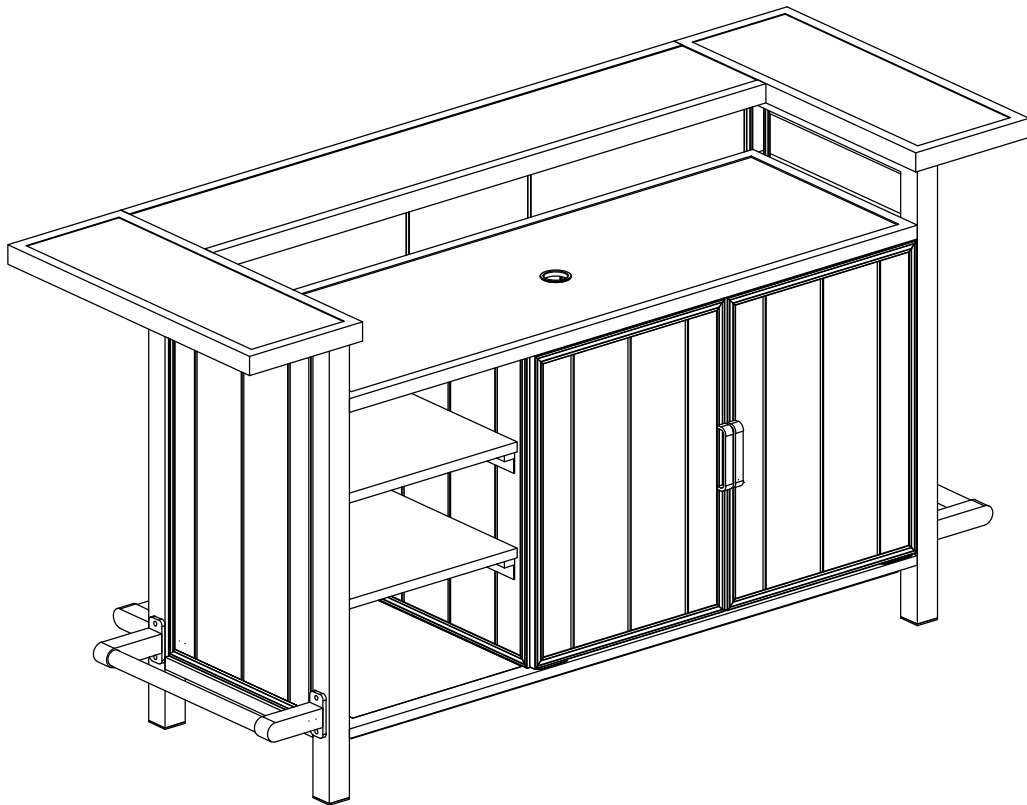




Outdoor Bar Table

ASSEMBLY MANUAL



MODEL#: LTFA5546

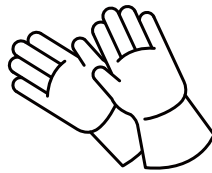
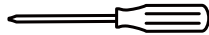
Missing part? Damaged? Contact us via email at

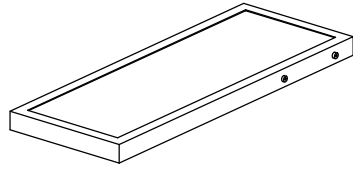
service@domioutdoorliving.com

www.domioutdoorliving.com

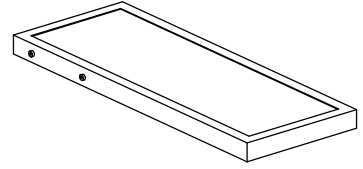
BEFORE STARTING ASSEMBLY

- ① Some parts have metal edges. Please be careful when handling components. Always wear work gloves.
- ② Please check all parts and components to ensure that there are no damages or missing items BEFORE starting the assembly of the product.
- ③ Please do not fully tighten the bolts prior to complete assembly.
- ④ Retain for future reference. Read carefully. For domestic use.

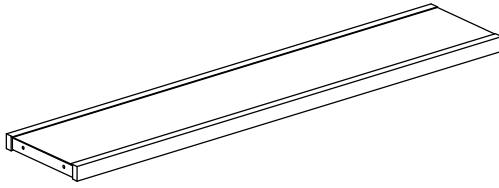




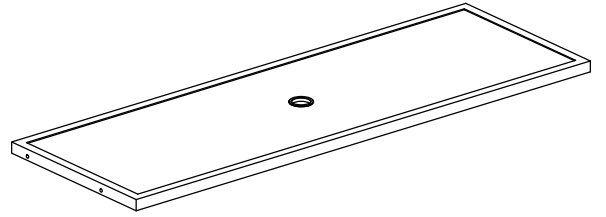
A 1X



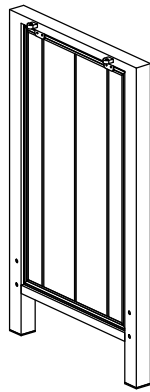
B 1X



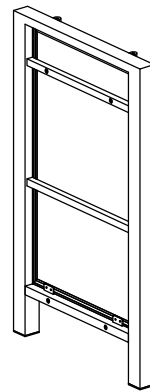
C 1X



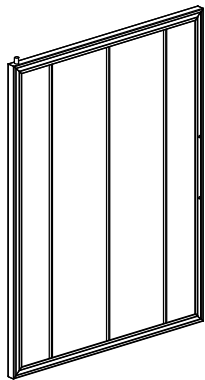
D 1X



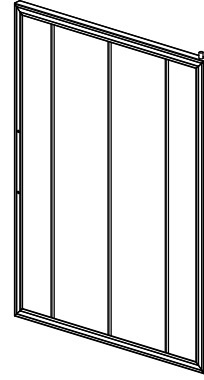
E 1X



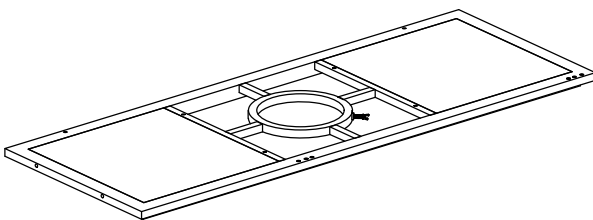
F 1X



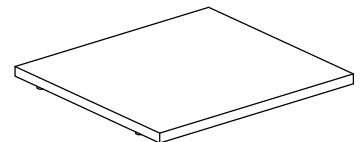
G 1X



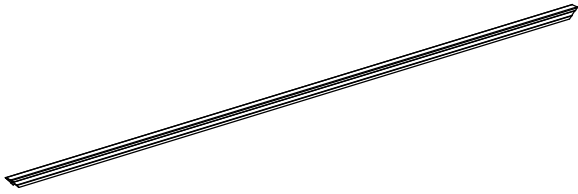
H 1X



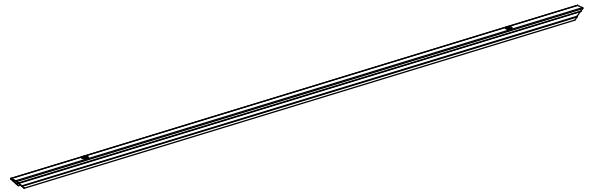
I 1X



J 3X



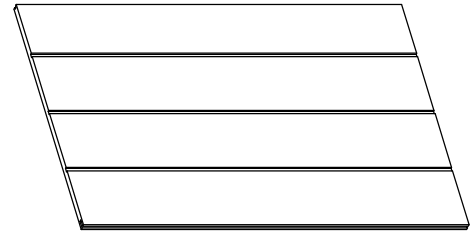
K 1X



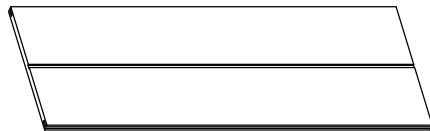
L 1X



M 2X



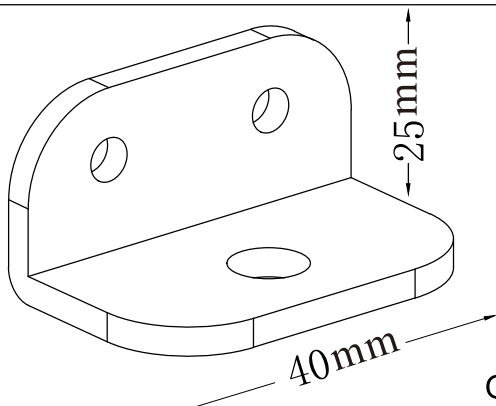
N 2X



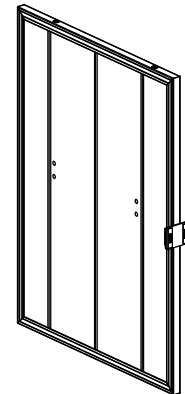
O 1X



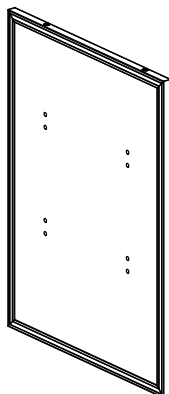
P 2X



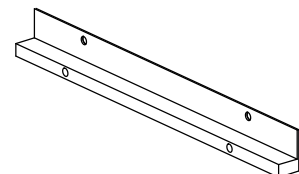
Q 2X



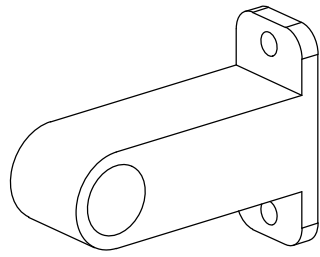
R 1X



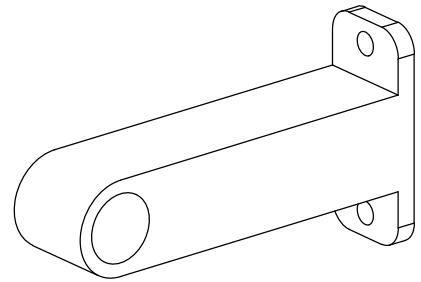
S 1X



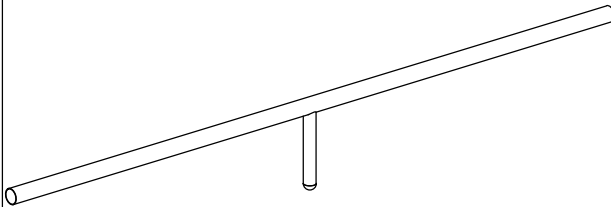
T 3X



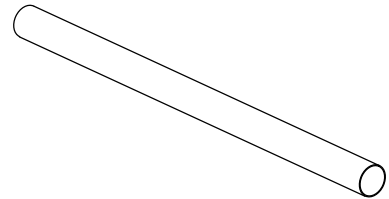
U 2X



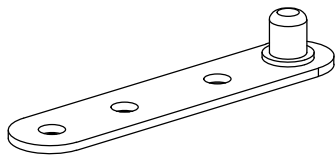
V 4X



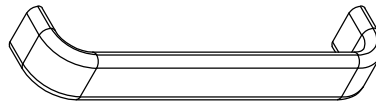
W 1X



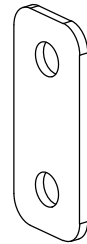
X 2X



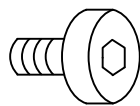
Y 2X



Z 2X

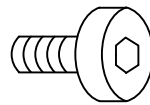


s 6X



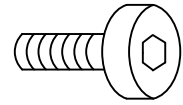
M6*10

a 6X



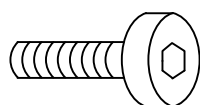
M6X18

b 2X



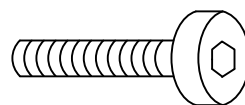
M6X28

c 10X



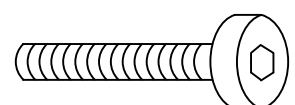
M6X35

d 14X



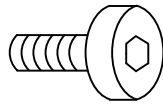
M6X50

e 6X



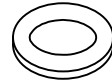
M6X55

f 4X



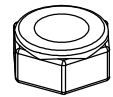
M8X22

g 12X



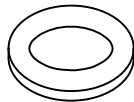
D6

h 36X



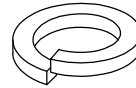
M6

i 12X



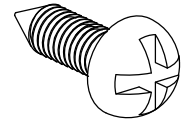
D8

j 12X



D8

k 12X



st4. 2*15

l 22X



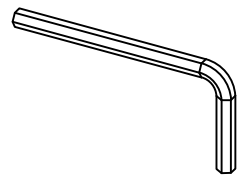
M4*12

m 6X



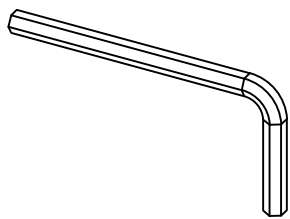
M4*28

n 4X



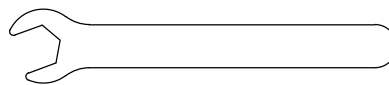
S4

o 1X

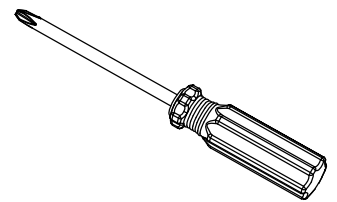


S5

p 1X



q 1X

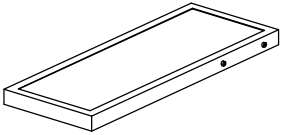
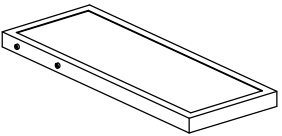
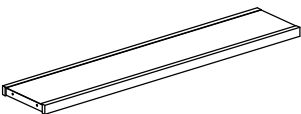
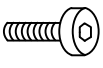



r 1X

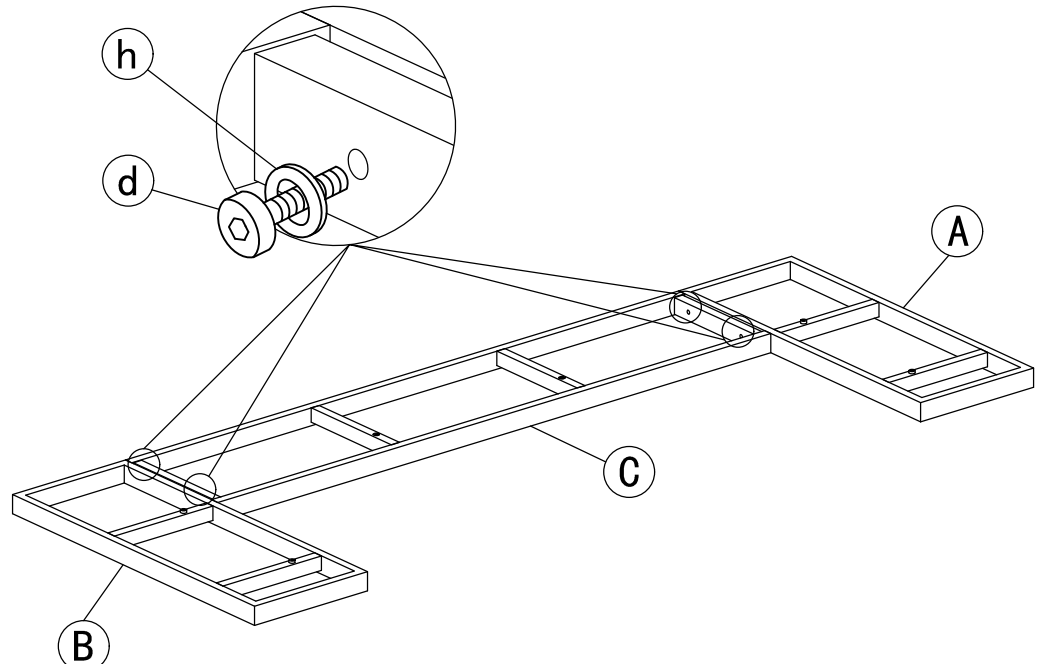


READ & SAVE BELOW INSTRUCTIONS BEFORE ASSEMBLY

1. PLEASE SEPARATE AND IDENTIFY ALL PARTS, MAKING SURE THAT YOU HAVE ALL OF THE PARTS LISTED.
2. TO AVOID ANY SCRATCH DURING ASSEMBLY, PLEASE ASSEMBLE ON A SOFT MAT OR SIMILAR.
3. PLEASE ASSEMBLE STEP BY STEP AND FOLLOW THE INSTRUCTIONS.
4. WASHERS MUST BE USED.
5. WHILE EACH SCREW AND NUT IS PROPERLY FASTENED, DO NOT OVER FASTEN IT.
6. DO NOT COMPLETELY FASTEN EACH SCREW AND NUT UNTIL ALL THE SCREWS ARE PROPERLY FIXED.

	A	1X
	B	1X
	C	1X
 M6X35	d	4X
 D6	h	4X

Tabletop Assembly



Step1

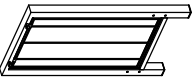

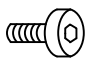


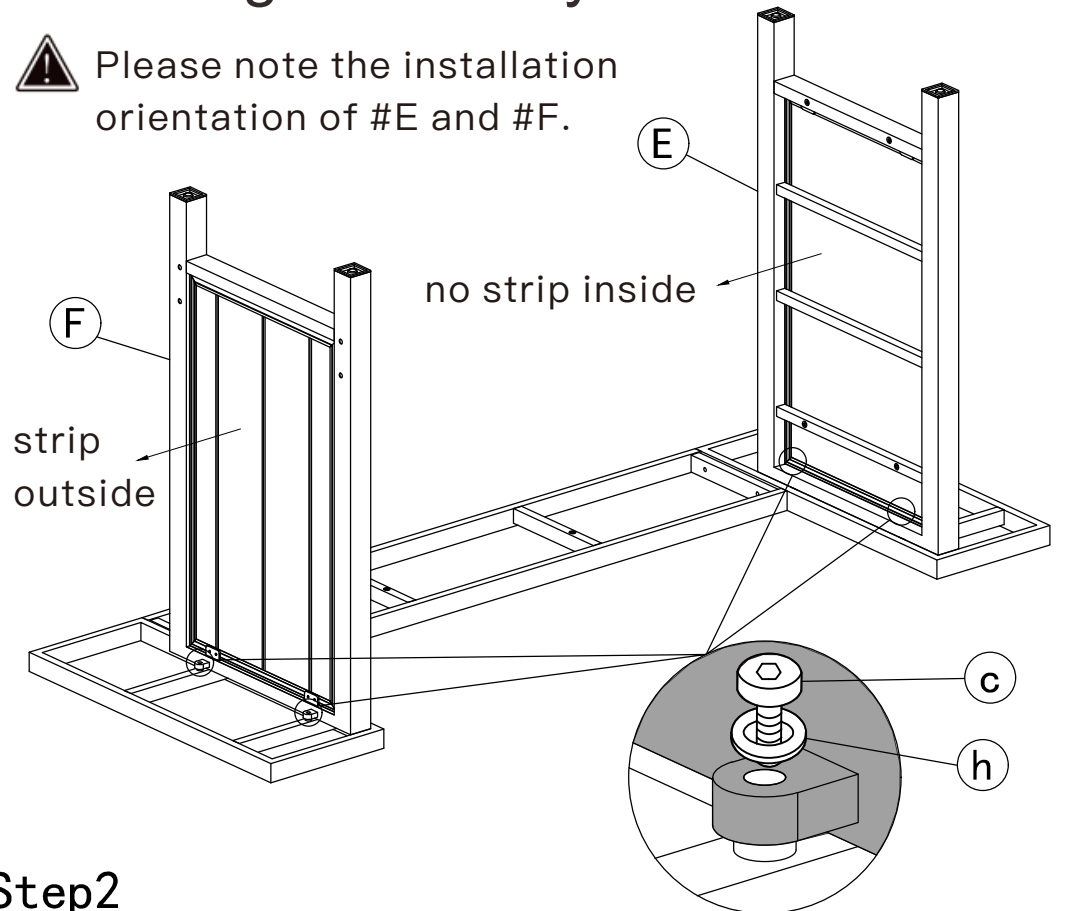



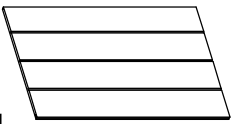
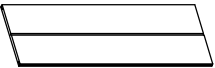

	E	1X
	F	1X
 M6X28	c	4X
 D6	h	4X
5		

Table Leg Assembly

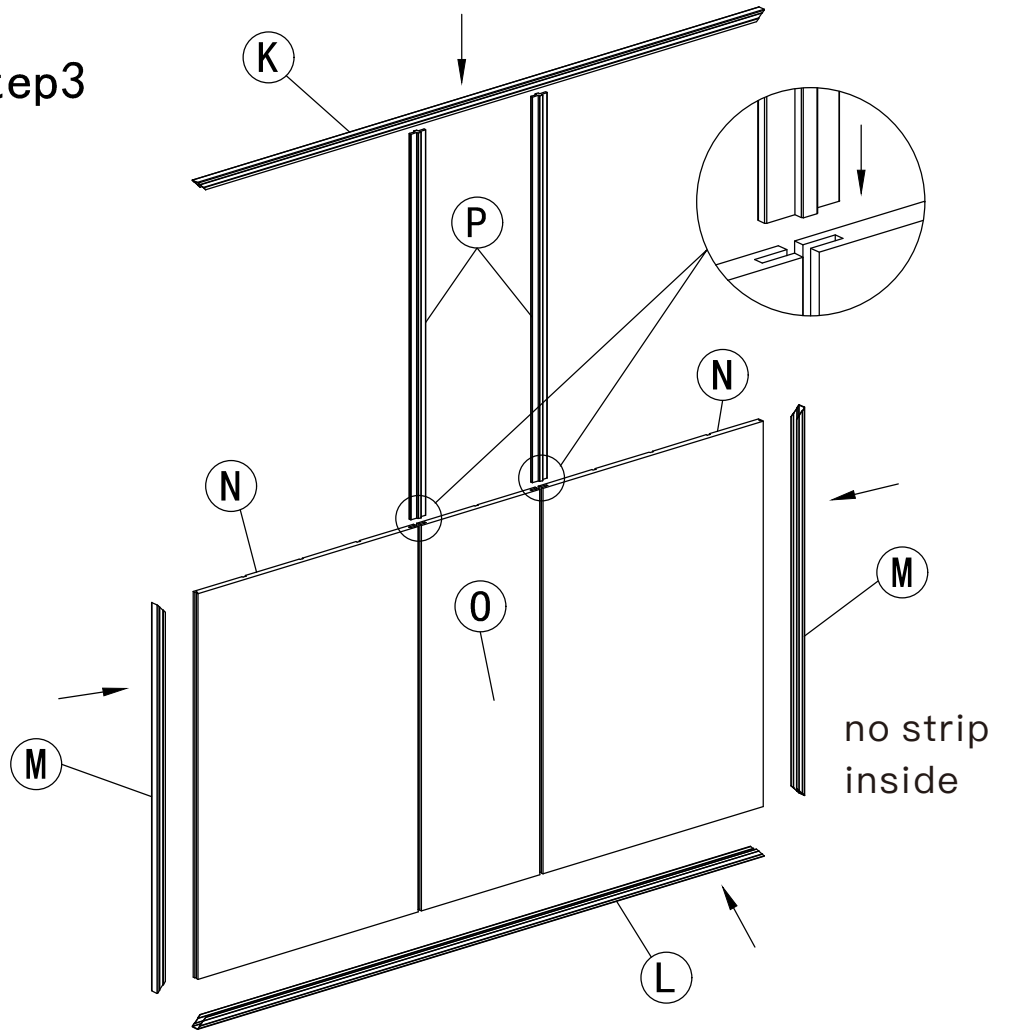
 Please note the installation orientation of #E and #F.

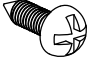


Step2

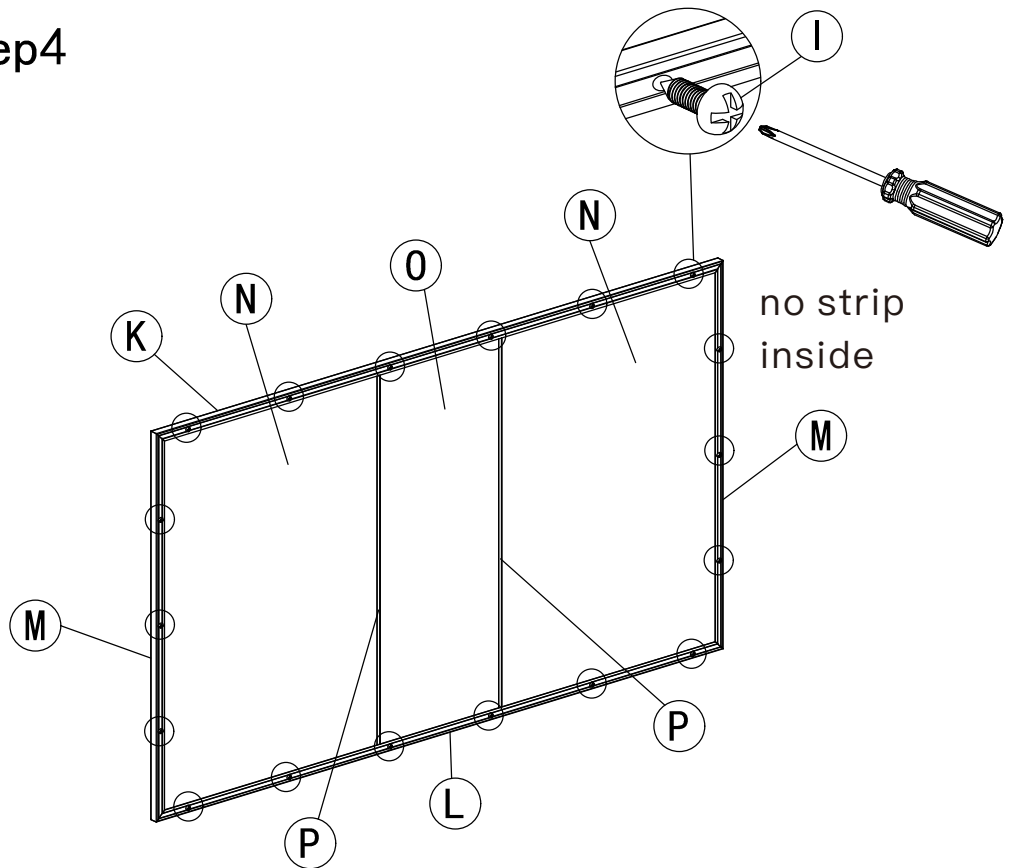
K		1X
L		1X
M		2X
N		2X
O		1X
P		2X

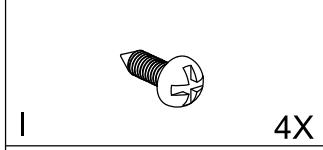
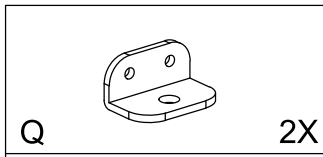
Step3



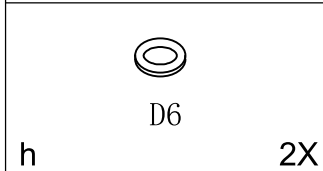
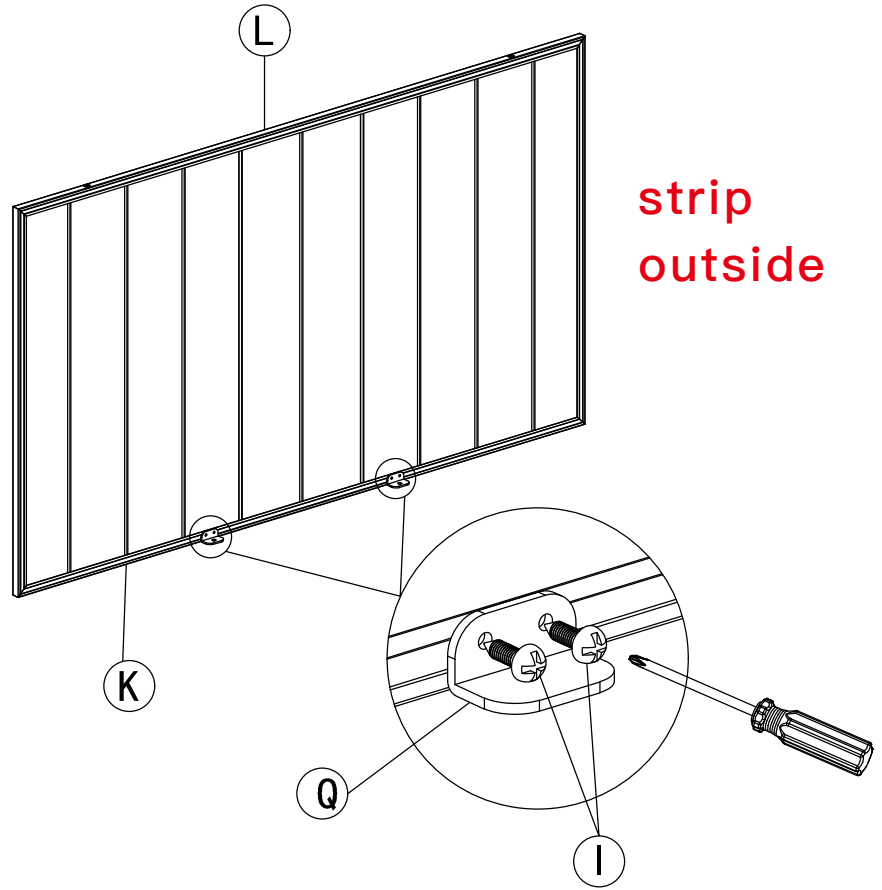
I		18X
---	---	-----

Step4

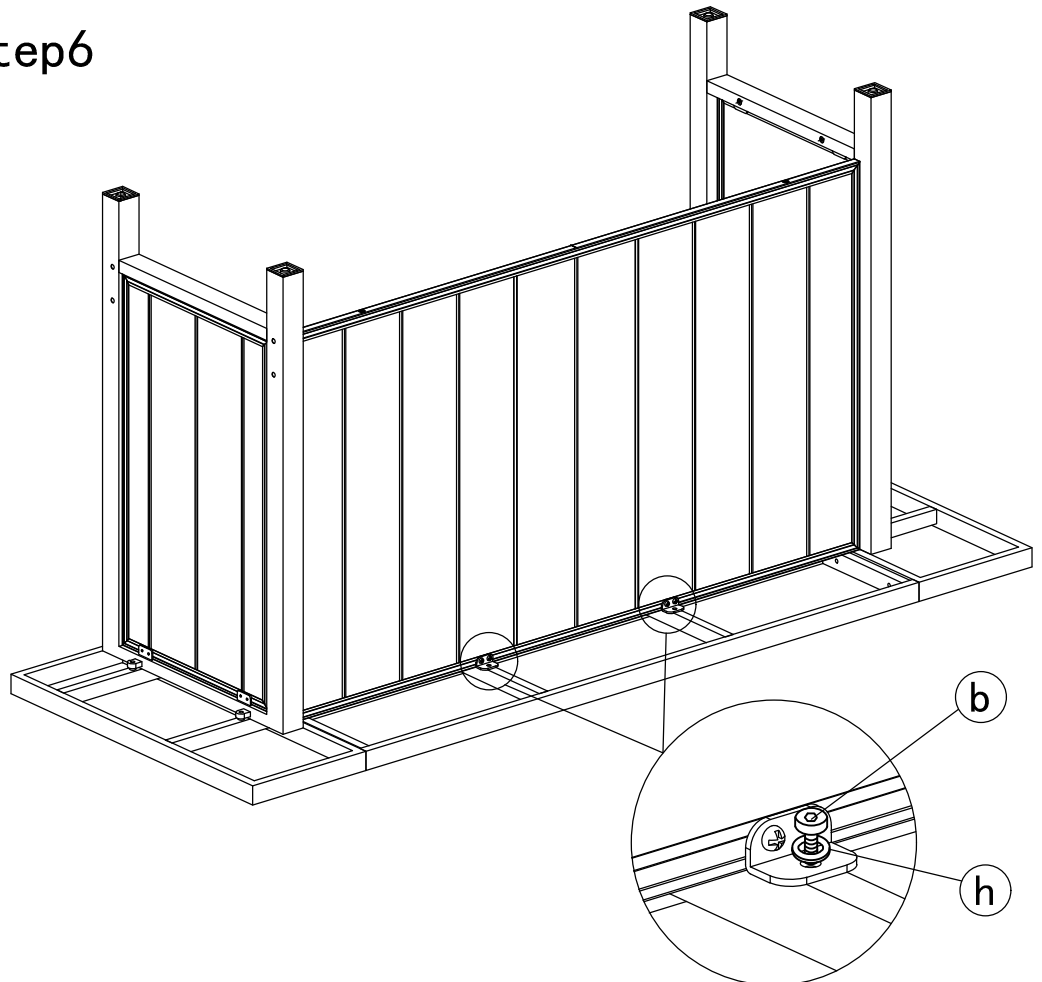


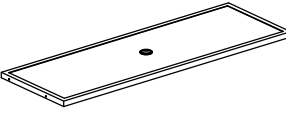
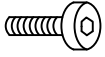



Step5

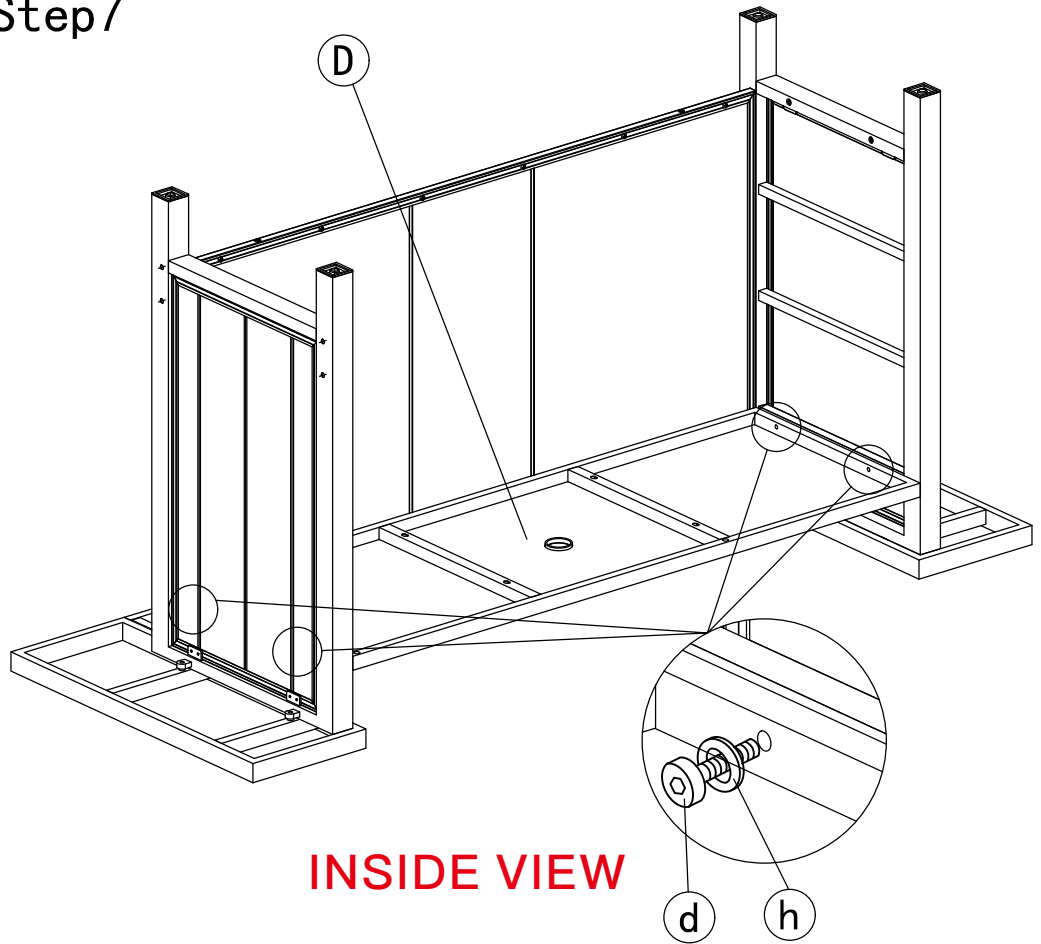


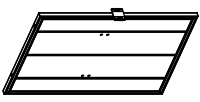

Step6



	1X
 <p>M6X35</p>	4X
 <p>D6</p>	4X

Step7

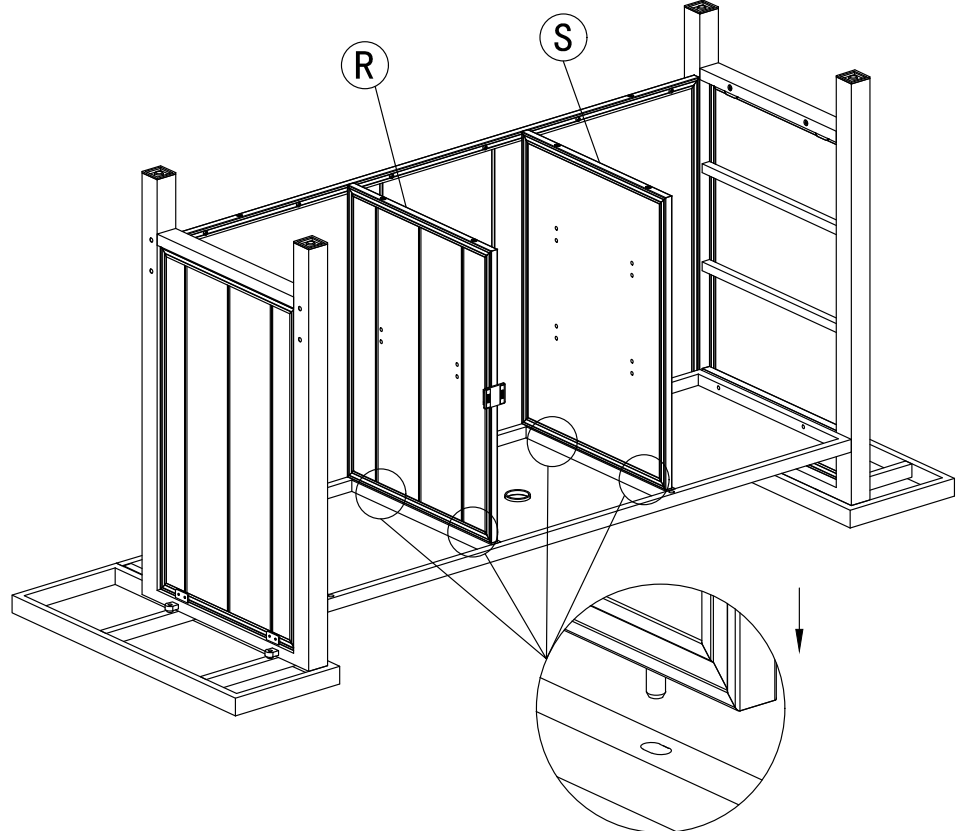


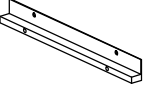

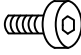

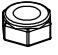
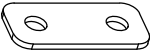
	1X
	1X

Step8



Please note the difference between #R and #S.
 ① different screw hole counts; ② #R has a door assembly (e.g., door stopper). Do not mix up their installation positions/orientations.

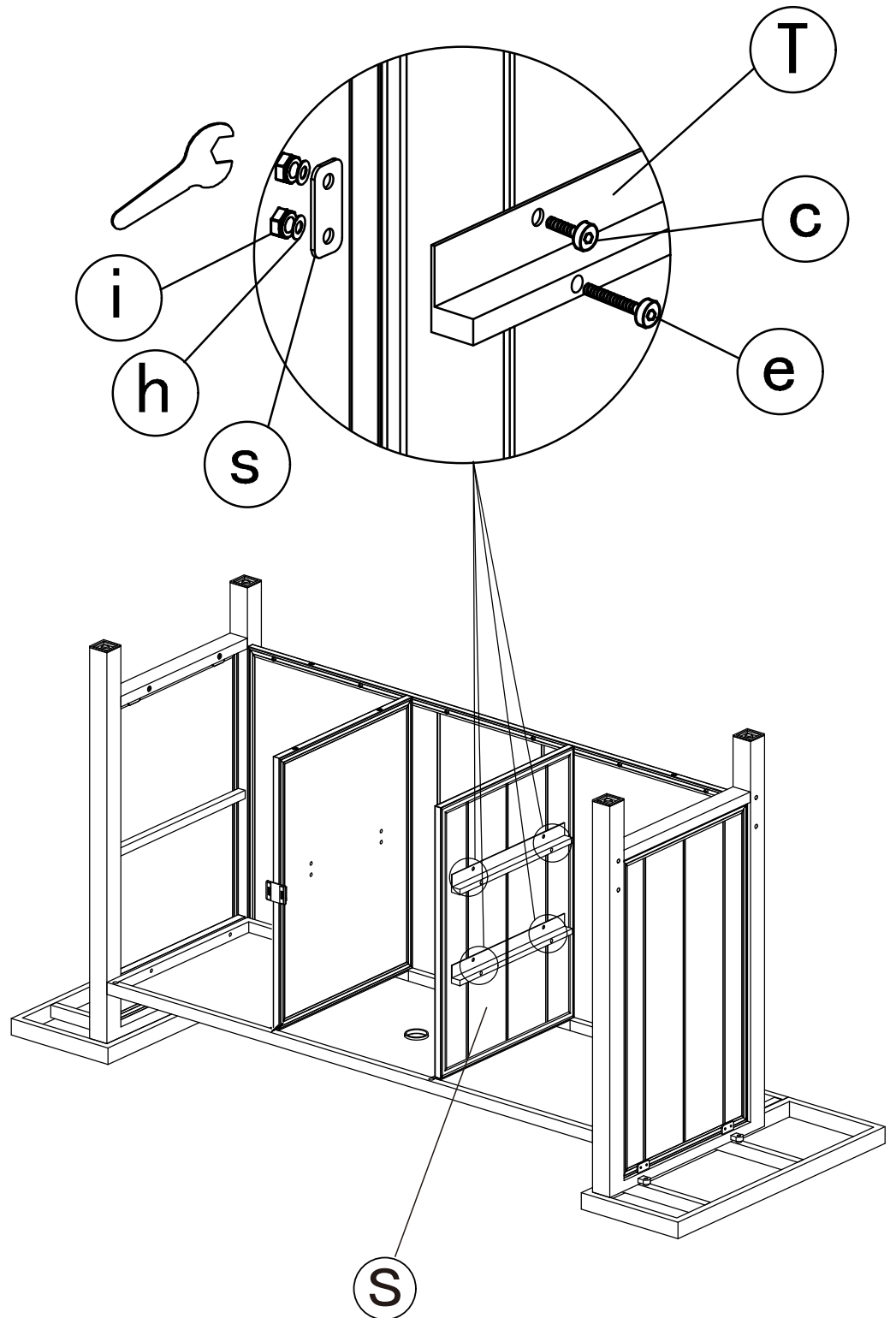


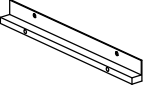
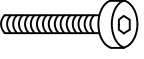
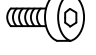


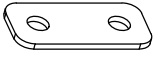
T		2X
e	 M6X50	4X
c	 M6X28	4X
h	 D6	8X
i	 M6	8X
s		4X

Step9



Place part #T on part #S, ensuring the correct position and orientation of part #T.

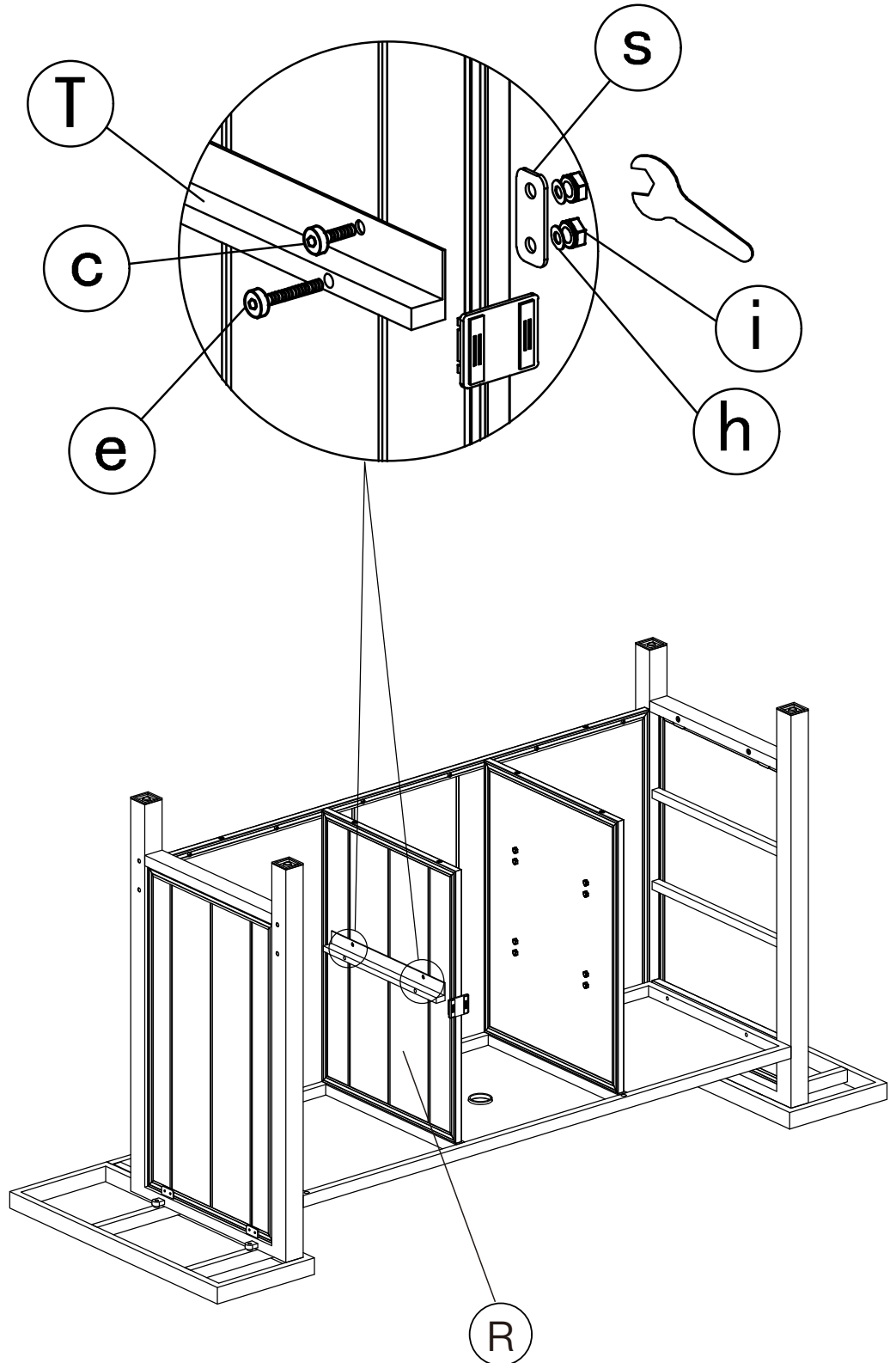


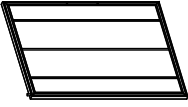
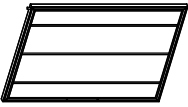


T		1X
e	 M6X50	2X
c	 M6X28	2X
h	 D6	4X
i	 M6	4X
s		2X

Step10



Place part #T on part #R, ensuring the correct position and orientation of part #T.

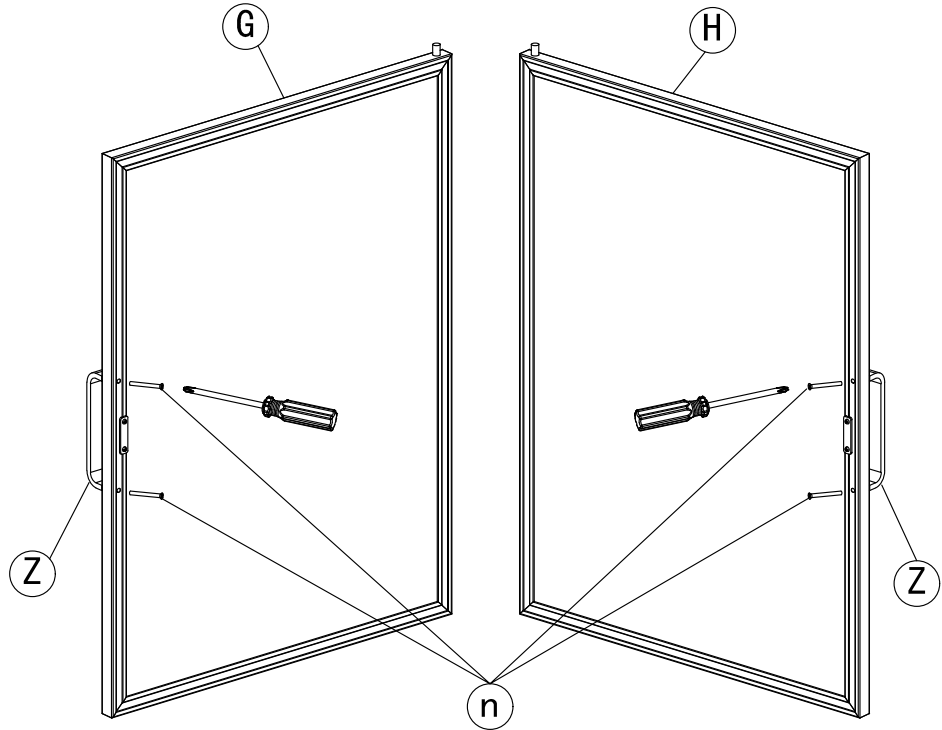


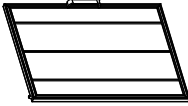
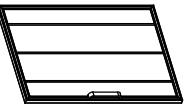
G		1X
H		1X
Z		2X
n	 M4*28	4X

Step11



Align one Z handle with the mounting holes on the side of part G, and the other Z handle with the mounting holes on the side of part H. Secure each Z handle to its corresponding part using 2 M4*28 screws (part n) — 4 screws total. Ensure the handles are firmly attached.

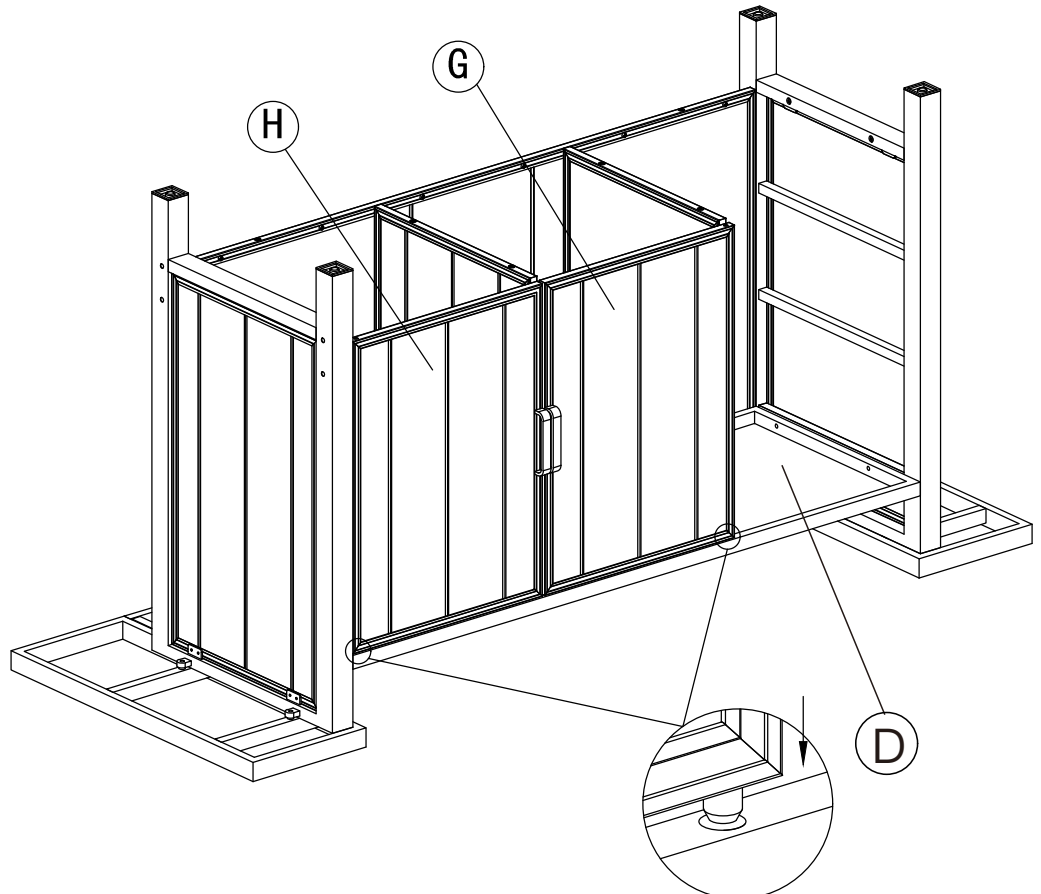


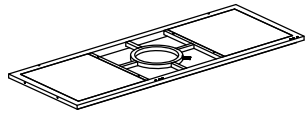
G		1X
H		1X

Step12

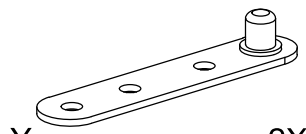


Please align the rotating door tenons on part #G and part #H with the pre-drilled holes on part #D.

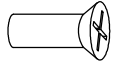




I 1X



Y 2X

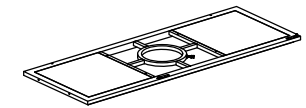
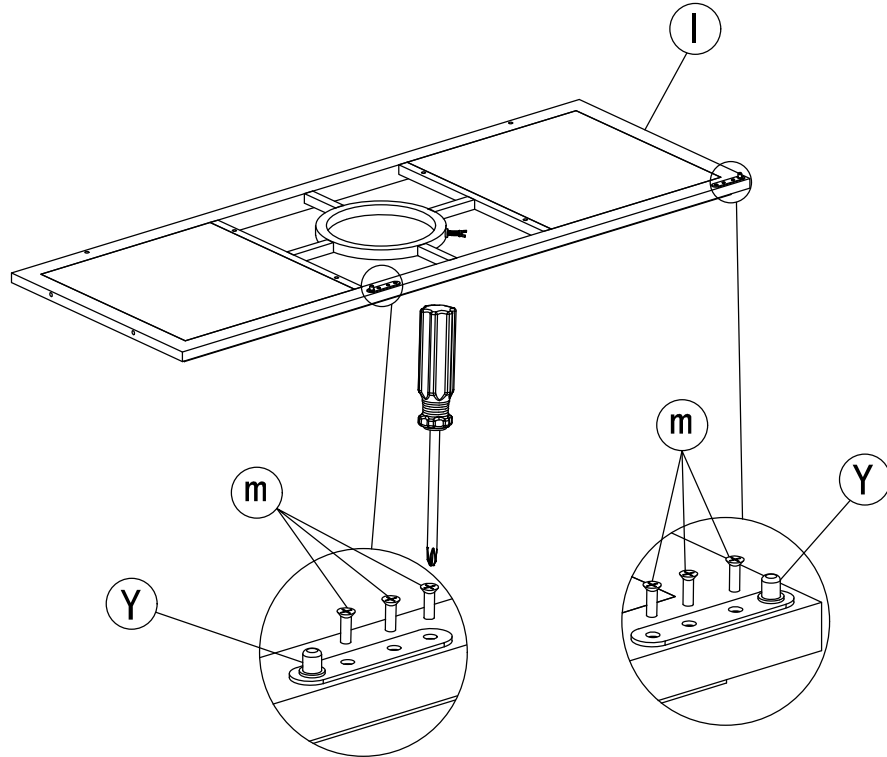


M4*12

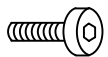
m 6X

Step13

Please align part #Y with the screw holes on part #I, paying attention to the installation position and orientation of part #Y. Secure it with six Phillips screws #m.

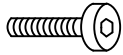


I 1X



M6X35

d 6X



M6X55

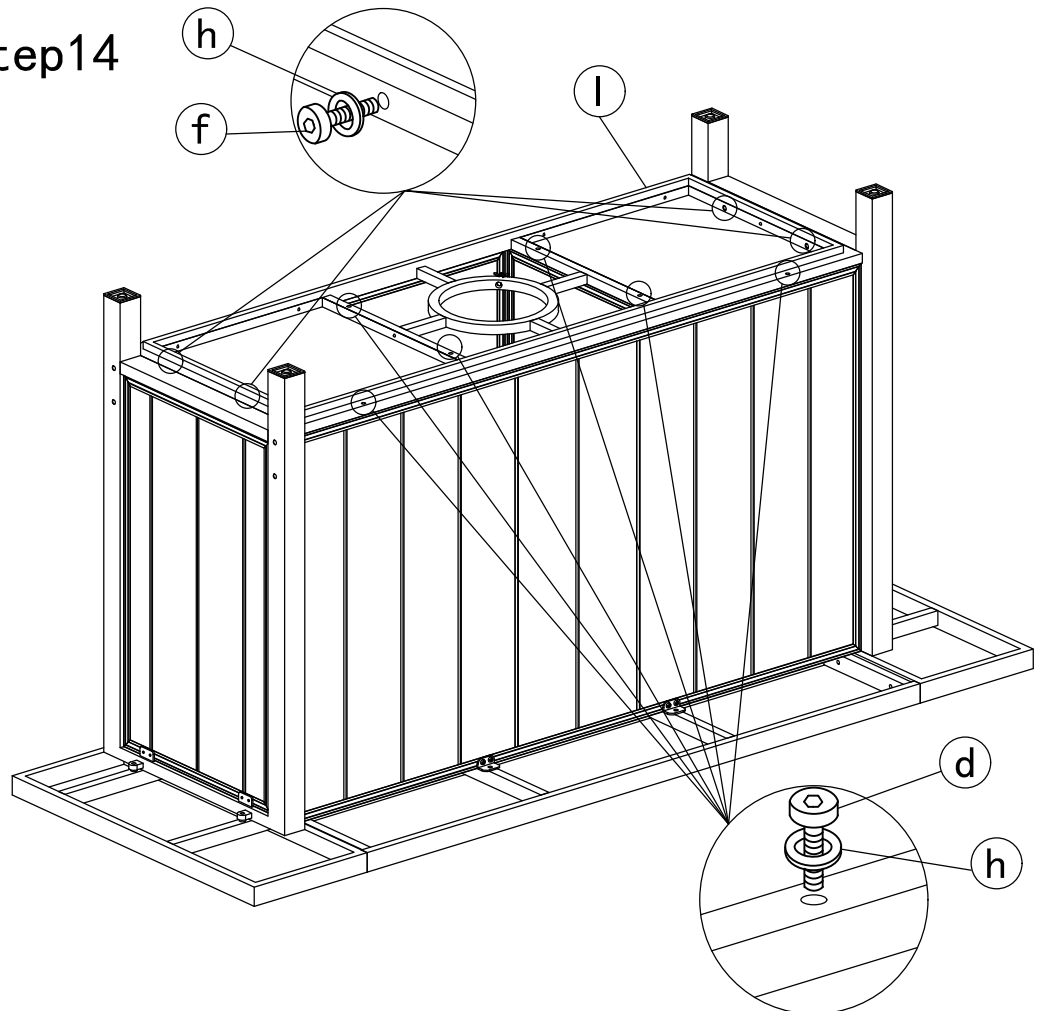
f 4X

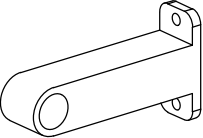
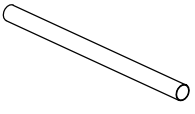
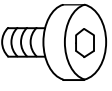


D6

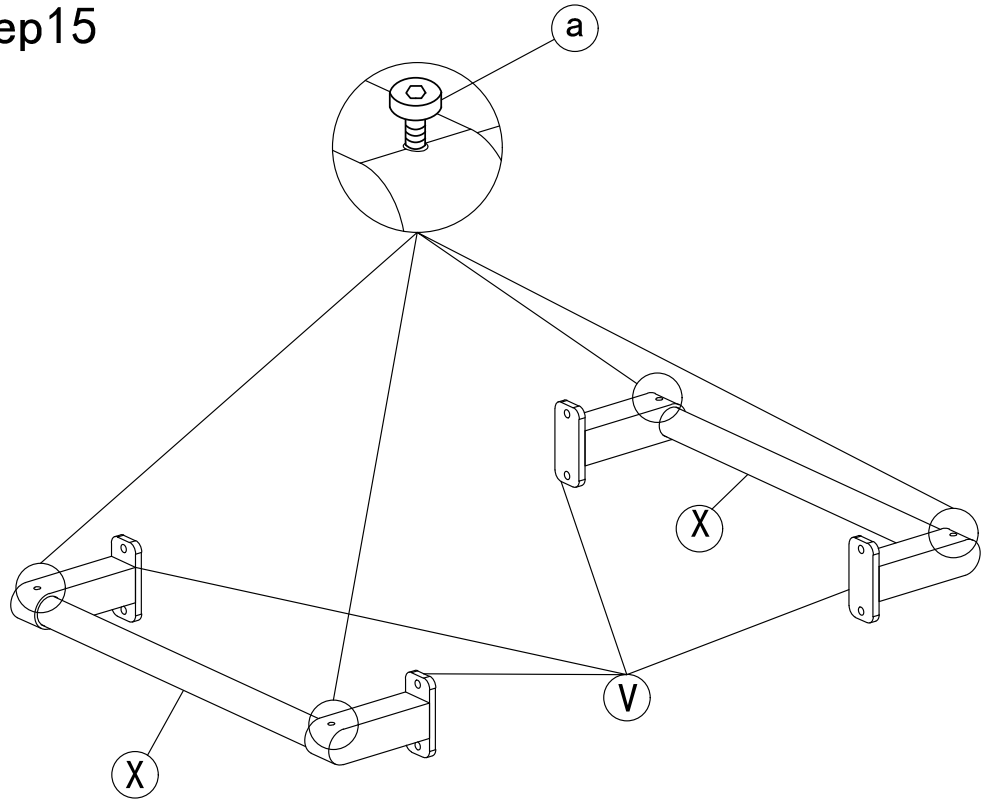
h 10X

Step14

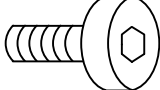




v		4X
x		2X
a	 M6*10	4X

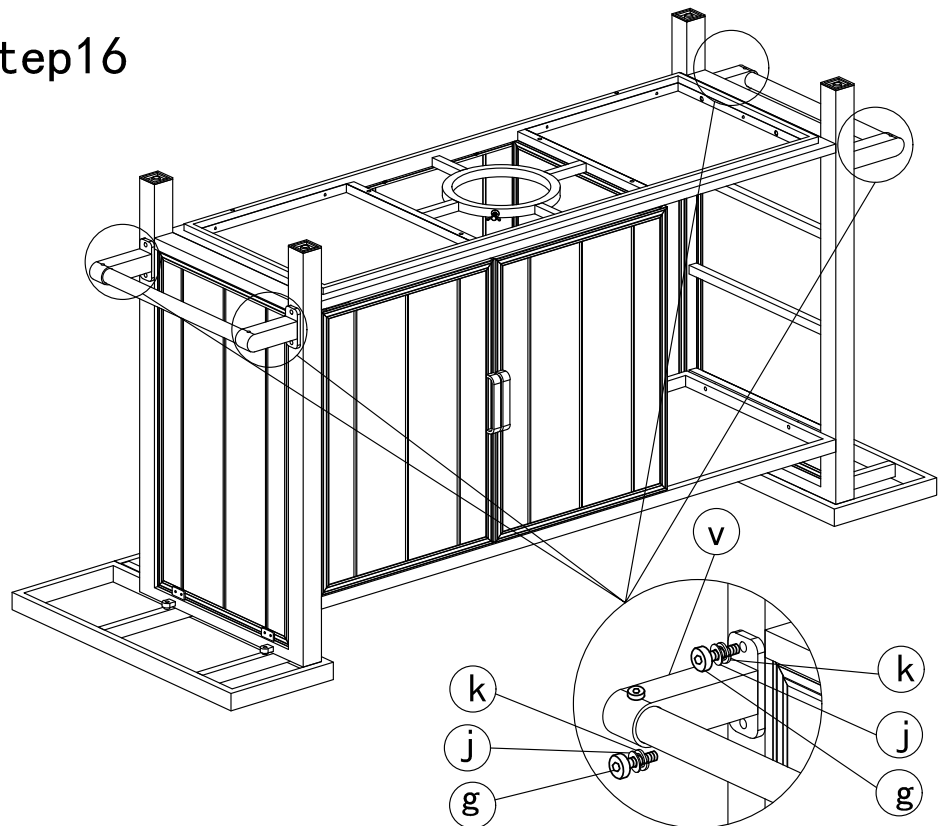
Step15



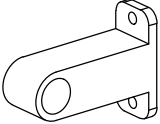
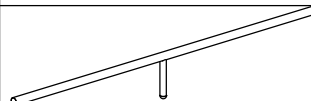
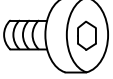
(1) Securely fasten part #X and part #V together using screw #a;
 (2) Attach the assembly completed to the main frame. To ensure a neat appearance, install it with the end containing screw #a facing the ground.

g	 M8*22	8X
j	 D8	8X
k	 D8	8X

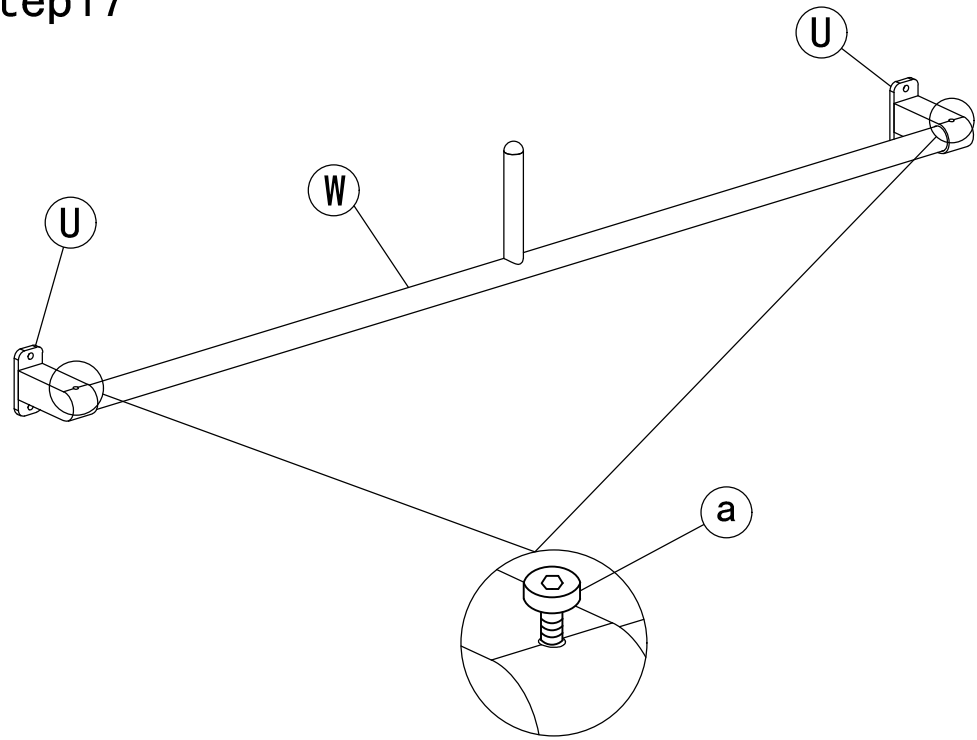
Step16



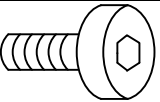


Assemble each hardware set by putting screw #g, flat washer #j, and spring washer #k in that order. Make 8 such sets total. Attach the handle to the post structure, and make sure all screws are fully tightened.

U		2X
W		1X
a	 M6*10	2X

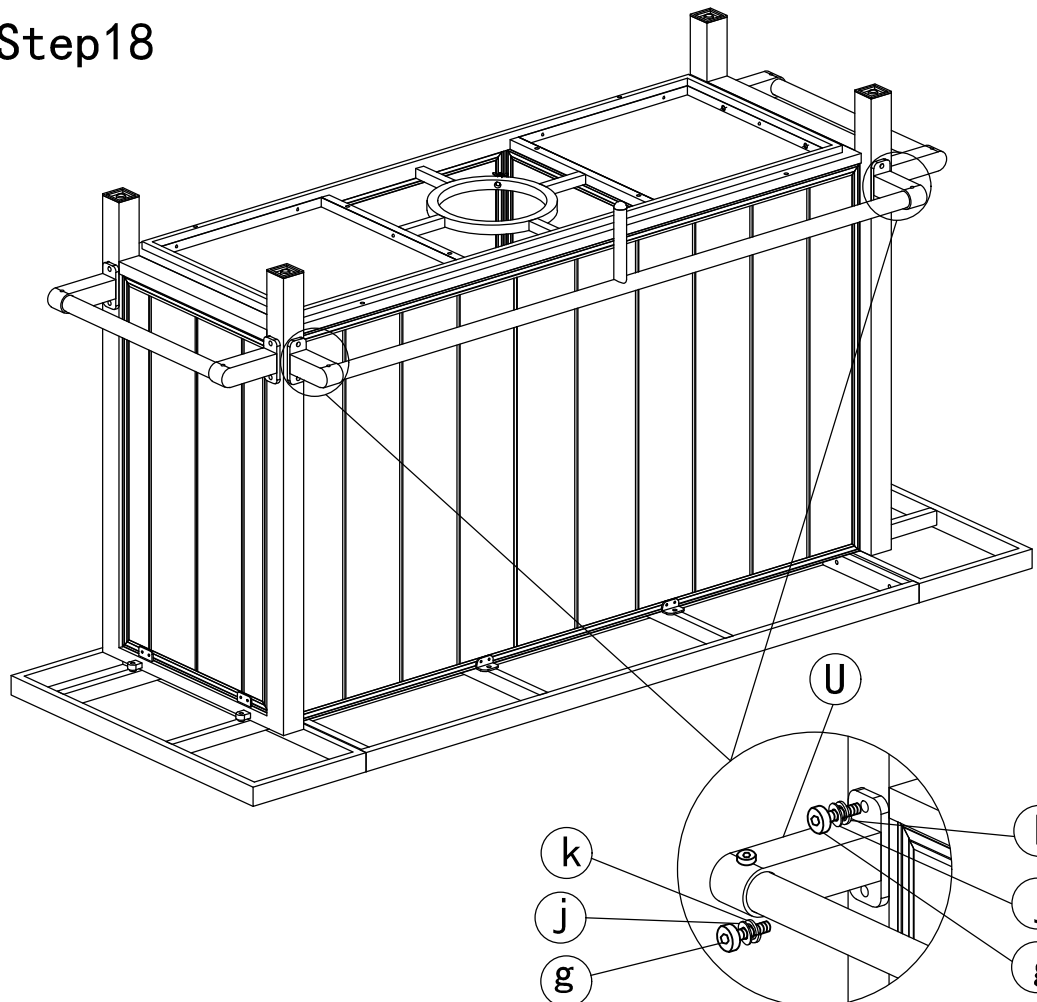
Step17

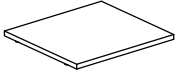


- (1) Securely fasten part #U and part #W together using screw #a;
- (2) Attach the assembly completed to the main frame. To ensure a neat appearance, install it with the end containing screw #a facing the ground.

g	 M8*22	4X
j	 D8	4X
k	 D8	4X

Step18

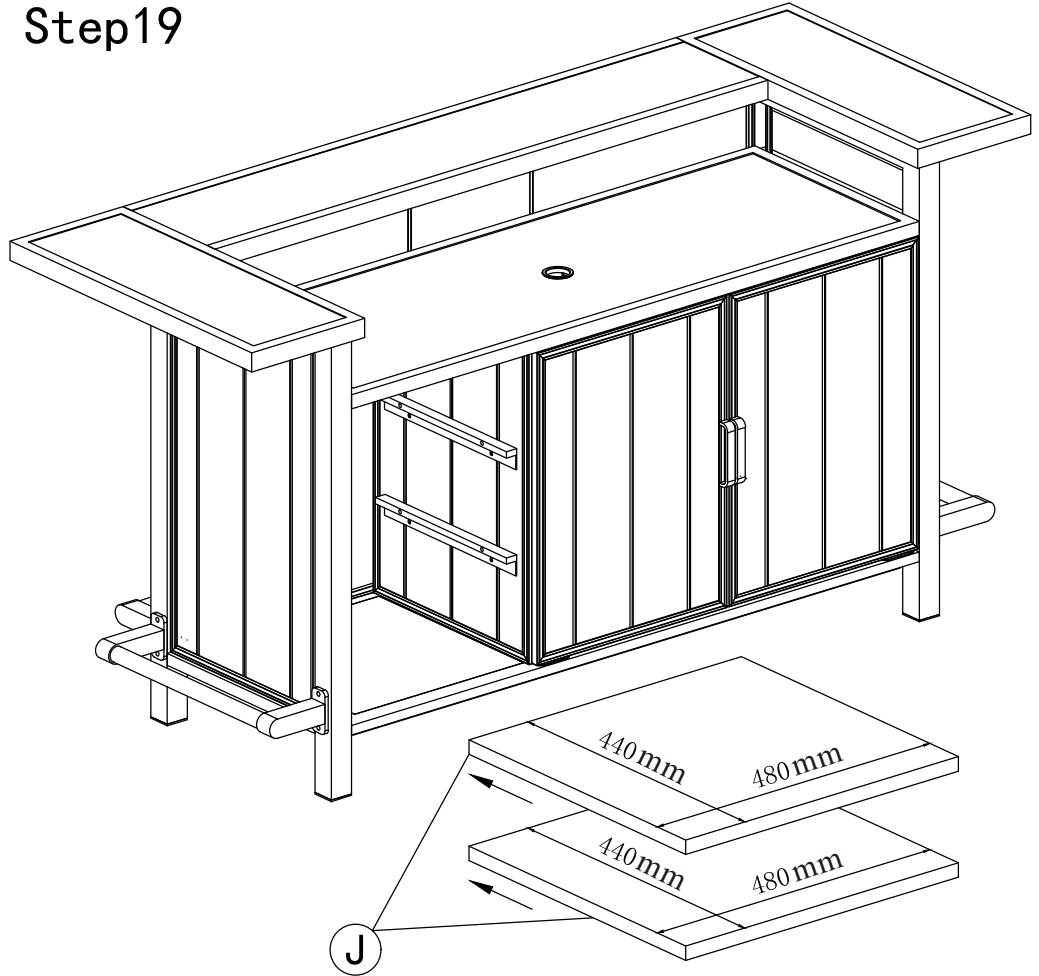




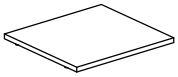
J

2X

Step19



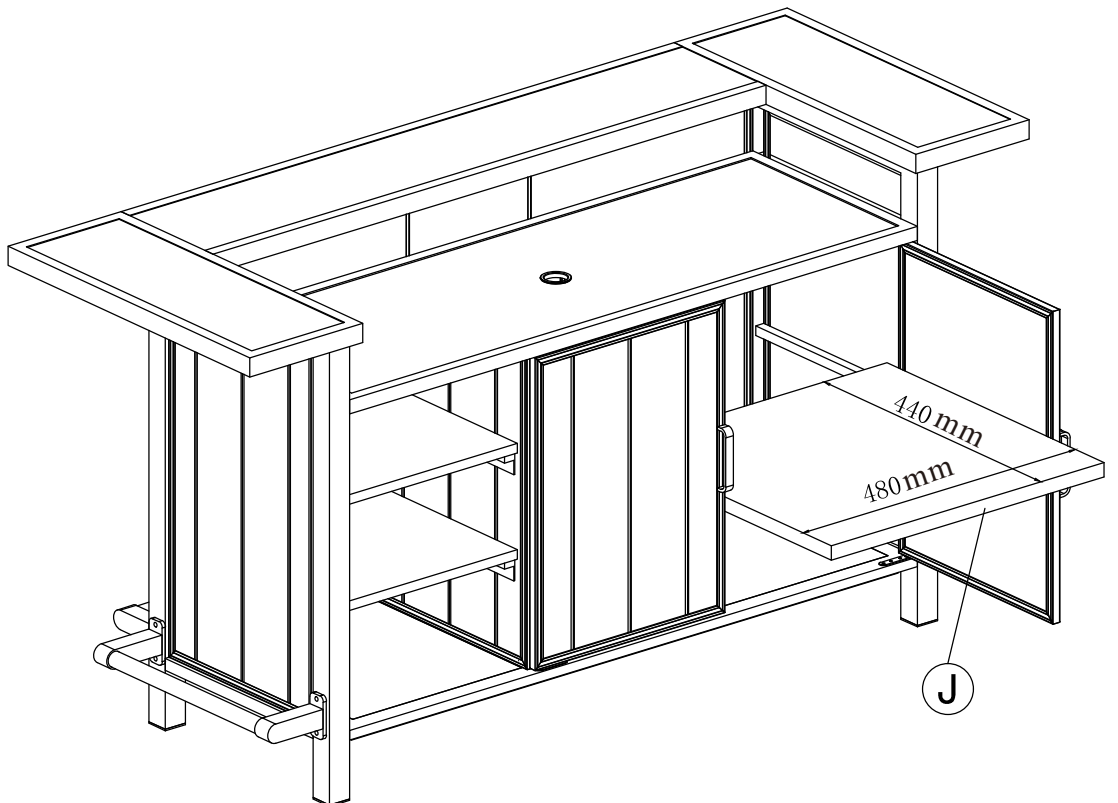
J



J

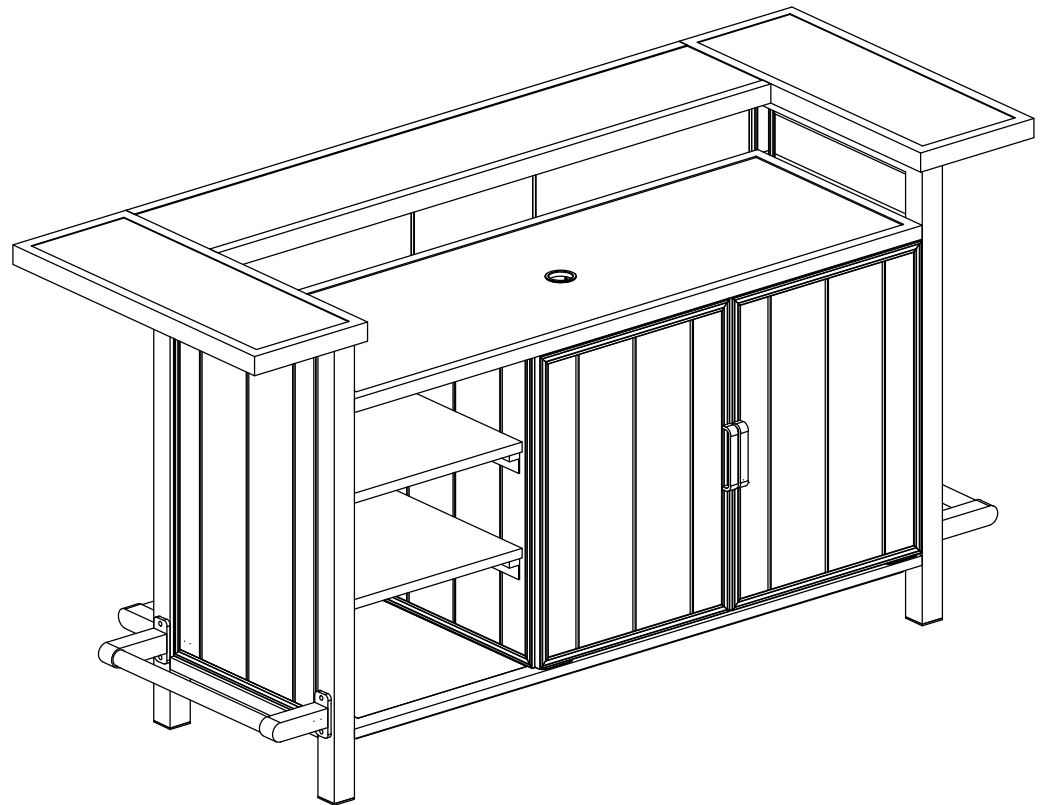
1X

Step20



J

Step21





CARE & SAFETY

It is of utmost importance to assemble all of the parts according to the directions. Do not skip any step.

Wear safety goggles and always follow the manufacturer's instructions when using power tools.

Hot items such as recently used grills, blowtorches, etc., must not be stored in the box.

Not designed for carrying items.

Do not stand on lid.

To prevent risk of suffocation, do not allow children to play inside the box.

IF THERE ARE MISSING OR BROKEN PARTS, PLEASE DO NOT RETURN THE PRODUCT DIRECTLY.

Please log onto our website, or contact Customer Service.



USA & Canada:
1-833-807-3550



Thanks for your purchase.

At domi outdoor living, we believe in our products.

That's why we provide a 12-month warranty and friendly, easy-to-reach after-sales service. So, if you have any questions about our product or assembly, please feel free to contact us. We are here for you.

Support:  

After-sales contact email:

service@domioutdoorliving.com

Business cooperation contact email:

marketing@domioutdoorliving.com

Please have your order ID available if you reach out for support.

If you have damaged parts or product, please send us photos for an immediate response.