

ASSEMBLY INSTRUCTIONS



Fine Furniture for every stage of life

Dining Side Chair

REVISION 0 : 04/30/2018
REVISION 1 : 10/31/2018
REVISION 2 : 04/22/2019
REVISION 3 : 05/23/2019

ASSEMBLY INSTRUCTIONS

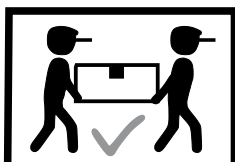
ASSEMBLY TIPS :

1. Remove hardware from box and sort by size.
2. Please check to see that all hardware and parts are present prior to start of assembly.
3. Please follow attached instructions in the same sequence as numbered to assure fast & easy assembly.



WARNING!

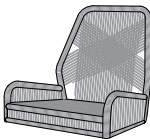





1. Don't attempt to repair or modify parts that are broken or defective. Please contact the store immediately.
2. This product is for home use only and not intended for commercial establishments.






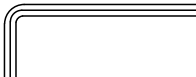
ASSEMBLY TIME

10 MINUTES

PARTS IDENTIFICATION

A	SEAT AND BACK		1PC
B	RIGHT FRONT LEG		1PC
C	LEFT FRONT LEG		1PC
D	RIGHT BACK LEG		1PC
E	LEFT BACK LEG		1PC
F	LOOSE SEAT CUSHION		1PC

HARDWARE IDENTIFICATION

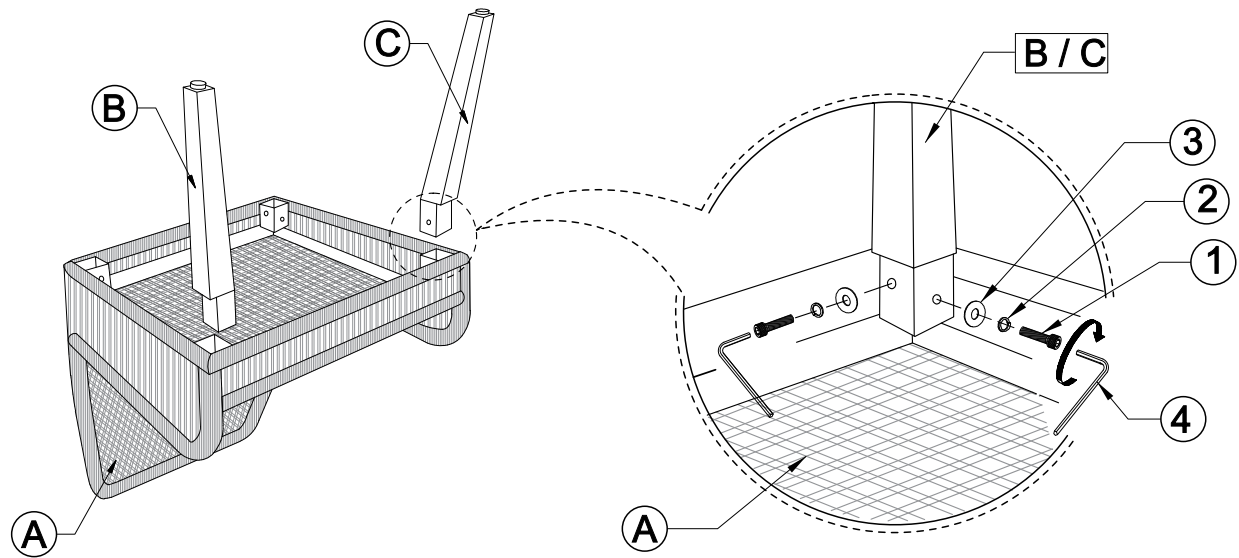
1	BOLT (Ø5/16" x 1-3/16" - BLK)		8PCS
2	LOCK WASHER (Ø5/16" - RBW)		8PCS
3	FLAT WASHER (Ø5/16" - RBW)		8PCS
4	ALLEN WRENCH (6MM - BLK)		1PC

NOTE:

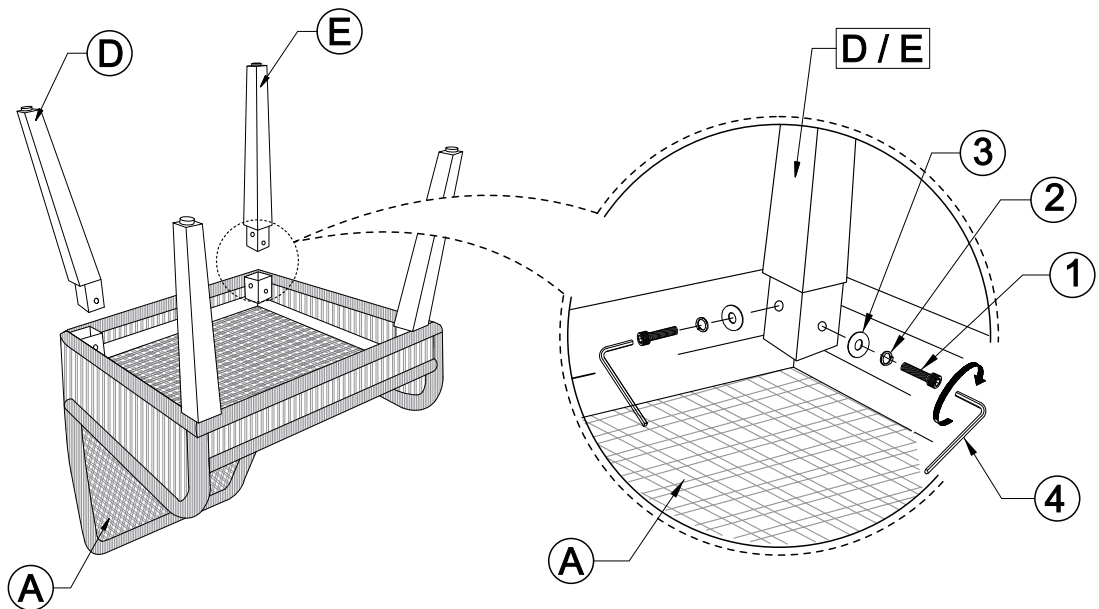
Quantities shown are for one chair.

ASSEMBLY INSTRUCTIONS

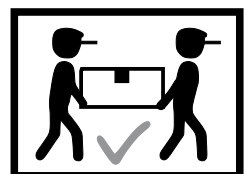
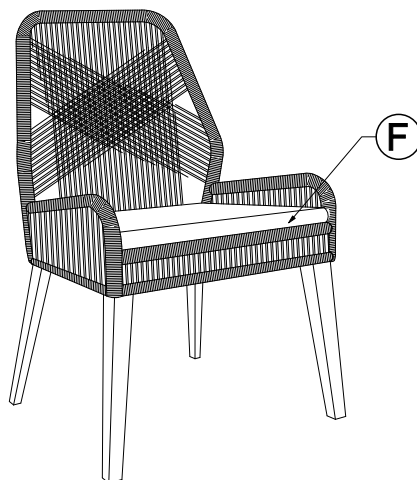
STEP 1

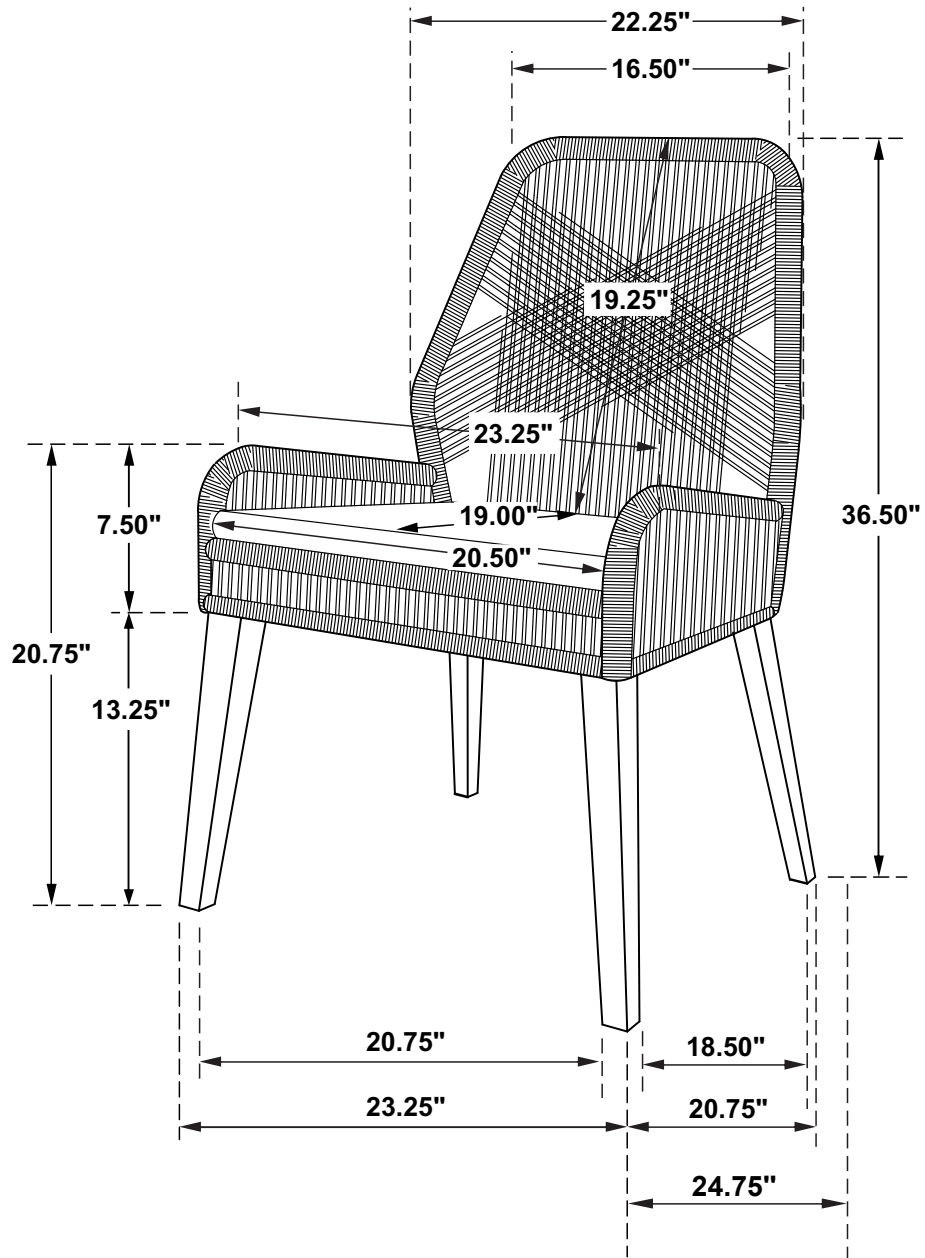


STEP 2



STEP 3 COMPLETE





Note : Dimension tolerance $\pm 5\%$