

ASSEMBLY INSTRUCTIONS

Read all instructions before assembling crib.

Save instructions for future use.

Adult assembly required.

Small parts may present choking hazard prior to assembly.

Enclosed please find simple step-by-step instructions to help you quickly assemble your products. Before you begin we recommend that you following the steps below:

1. Please read the instructions thoroughly.

2. Identify all parts and hardwares

3. You will need the following tools:

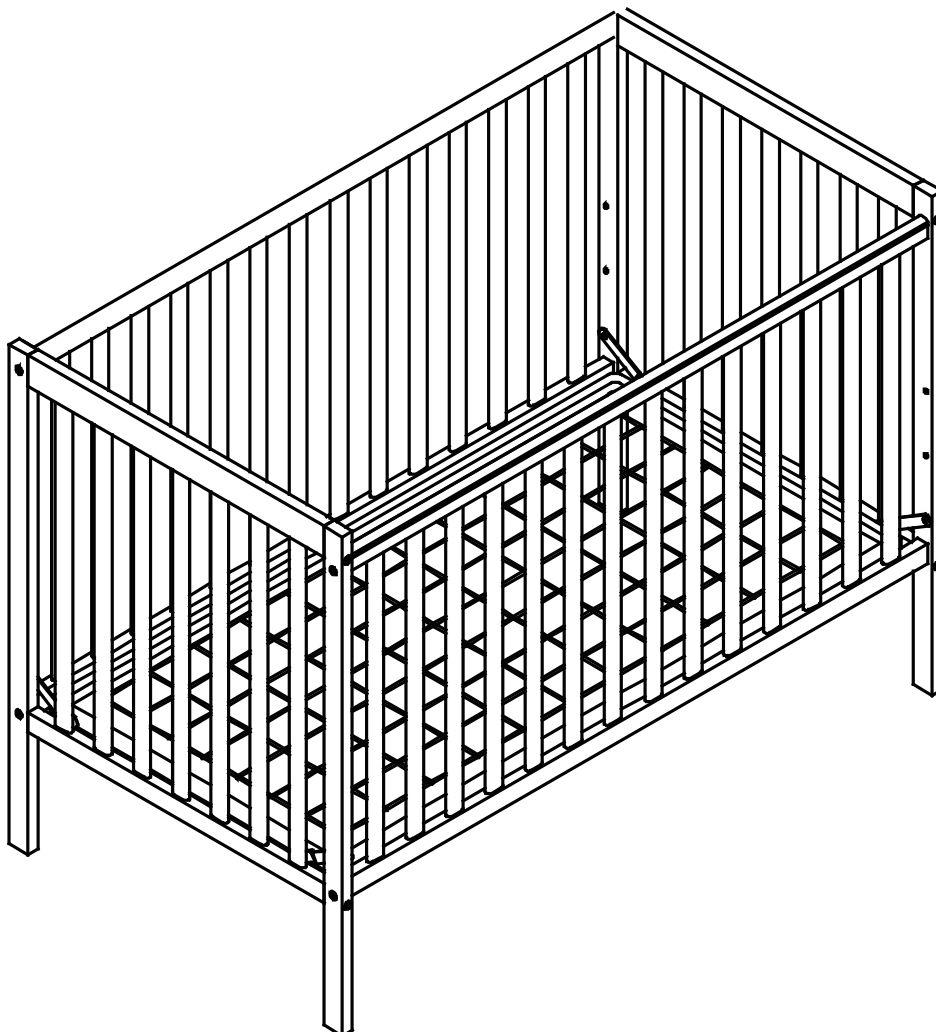
Philips head screw driver

Flat head screw driver Hammer

Do Not Use Power Drills or Drivers

To protect your parts during assembly please place them on a soft surface.

To clean surface use only water on a damp cloth. Do not use window cleaners or cleaning abrasives as it will scratch the surface and could damage the protective coating.





WARNING !

- Failure to follow these warnings and the instructions could result in serious injury or death.
- Read all instructions before assembling crib, keep instructions for future use.
- Upon completion of assembly be sure all screws, bolts and fastening devices have been securely tightened. A frequent check should be made.
- Never use this product if there are any loose or missing fasteners, loose joints, broken parts, or torn mesh/fabric. Check before assembly and periodically during use. Contact distributor for replacement parts and instructional literature if needed
- Never substitute parts, the product including side rails, must be fully erected prior to use.
- Discontinue use of the product when child is able to climb out or reaches the height of 35in(890mm).
- Never place product near window where cords from blinds or drapes can strangle a child.

Strangulation Hazard:

- When child is able to pull to standing position, set mattress/base to lowest adjustment position and remove bumper pads, large toys, and other objects that could serve as steps for climbing out.
- Never use plastic shipping bag or other plastic film as mattress covers not sold and intended for that purpose, they can cause suffocation.
- Infants can suffocate in gaps between crib sides and a mattress that is too small.
- CAUTION: Any mattress used in this crib must be at least 27-1/4inches(690mm) by 51-5/8 inches(1310mm), with a thickness not exceeding 6 inches(150mm), the dimensions of the mattress shall be taken from seam to seam or edge to edge where appropriate.
- Never use a water mattress with this product.
- Strings can cause strangulation! Never place items with a string around a child's neck, such as hood strings or pacifier cords. Never suspend strings over product or attach strings to toys.

Fall Hazard:

- When child is able to pull to a standing position, set mattress to lowest position and remove bumper pads, large toys and other objects that could serve as steps for climbing out.

- Stop using crib when child begins to climb out or reaches the height of 35 in. (89 cm).
- After raising side, make sure latches are secure (omit for stationary side cribs).
- DO NOT leave child in crib with side lowered. Be sure side is in raised and locked position whenever child is in crib (omit for stationary side cribs).

To help prevent strangulation tighten all fasteners. A child can trap parts of the body or clothing on loose fasteners.

DO NOT place crib near window where cords from blinds or drapes may strangle a child. Infants can suffocate in gaps between a mattress too small or too thick and product sides on soft bedding never add a mattress, pillow, comforter or padding.

To reduce the risk of SIDS, pediatricians recommend healthy infants be placed on their back to sleep, unless otherwise advised by your physician.

If refinishing, use a non-toxic finish specified for children's products.

Infants can suffocate on soft bedding.

Never add a pillow or comforter.

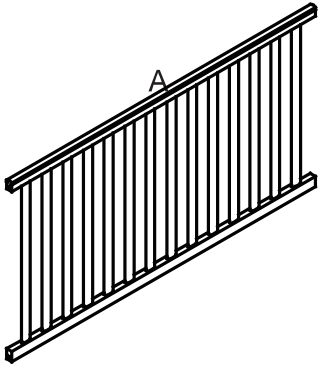
Never place additional padding under an infant

To help prevent strangulation tighten all fasteners.

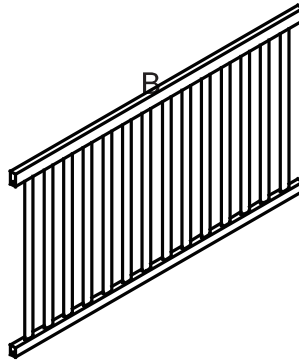
A child can trap parts of the body or clothing on loose fasteners.

Follow warnings on all products in a crib .

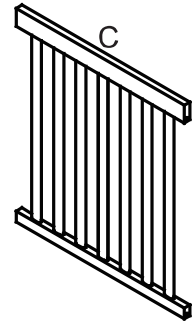
CRIB COMPONENTS COMPOSANTES DU LIT



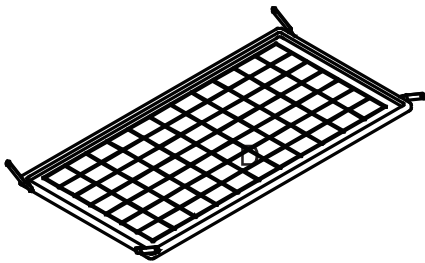
A: Front rail (1pc)



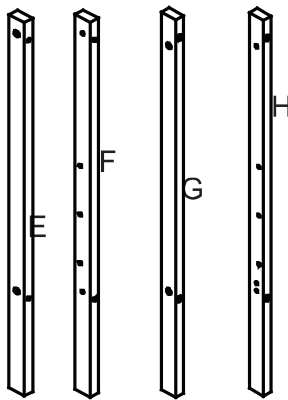
B: Back rail (1pc)



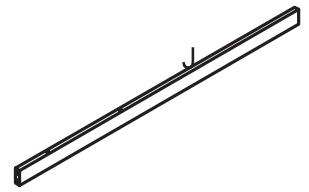
C: Side rails (2pcs)



D: Mattress support (1pc)

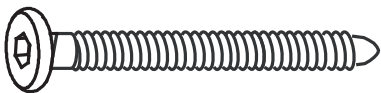


E: Left back leg (1pc)
F: Right back leg (1pc)
G: Left front leg (1pc)
H: Right front leg (1pc)

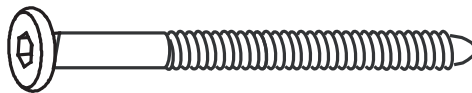


J: The bottom bar (1pc)

CONNECTION HARDWARE QUINCAILLERIE DE CONNEXION



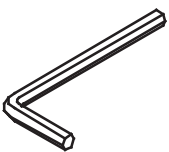
a : 2-1/5" Allen head bolts (8pcs)



b : 3" Allen head bolts (8pcs)



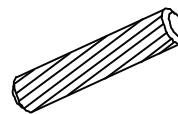
c: Barrel nuts (16pcs)



d: Allen wrench (1pc)

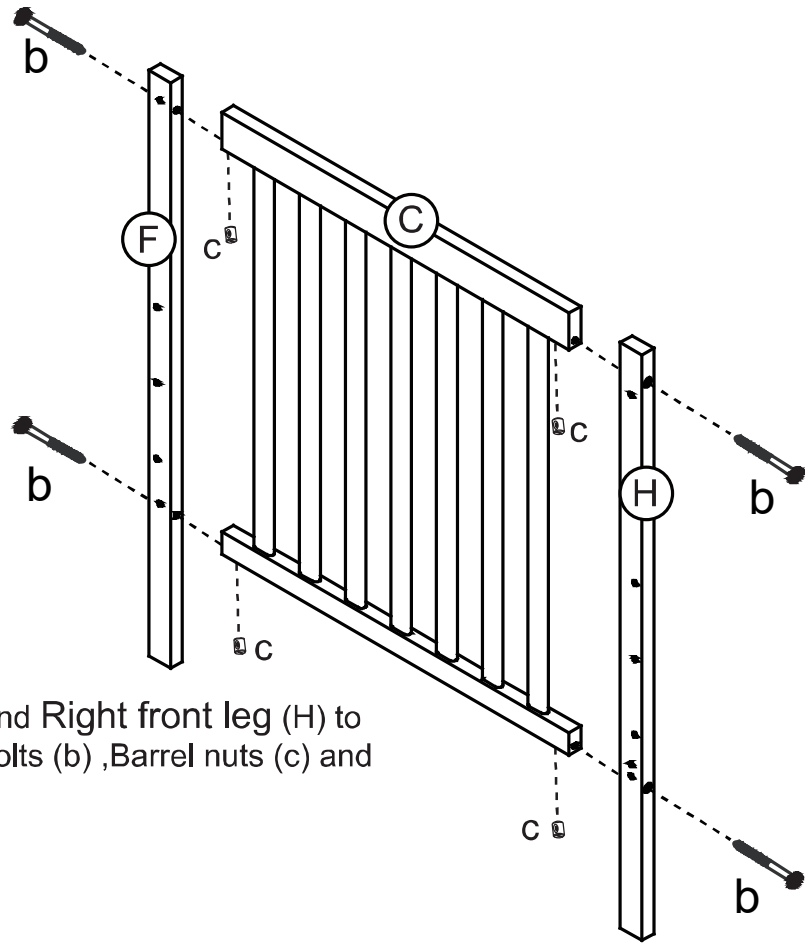


e: 3/5" Allen head bolts (4pcs)



f: 1-3/5" Wood dowel (2pcs)

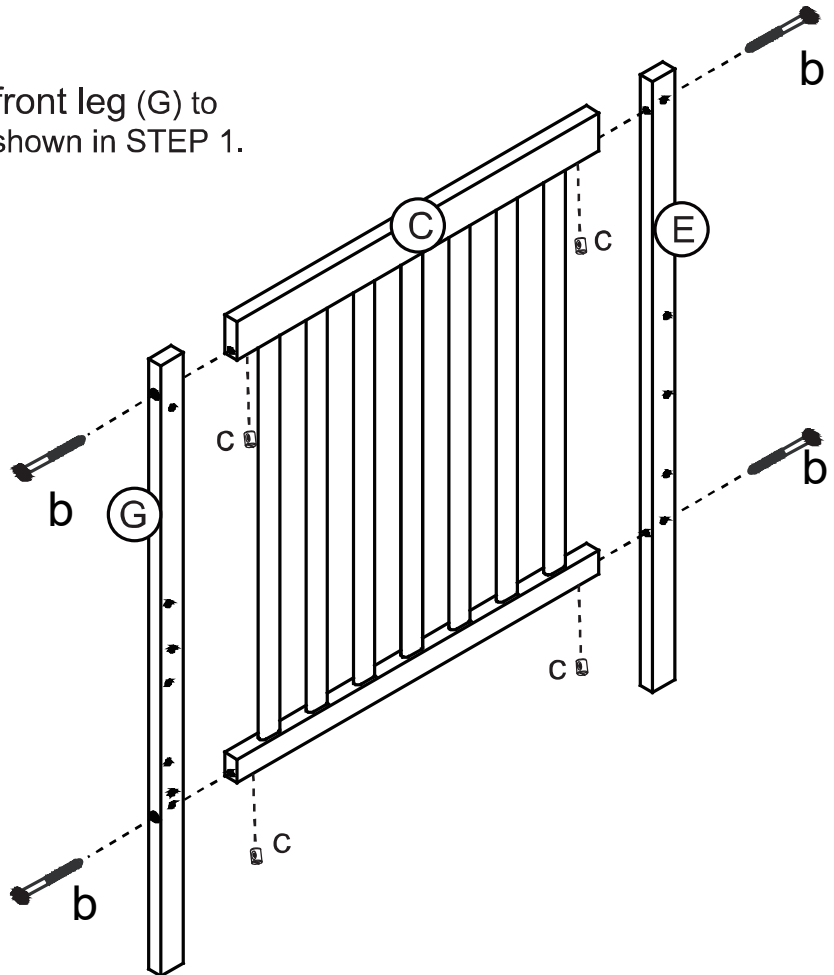
STEP1



Connect Right back leg (F) and Right front leg (H) to Side rails(C) by Allen head bolts (b) ,Barrel nuts (c) and Allen wrench (d).

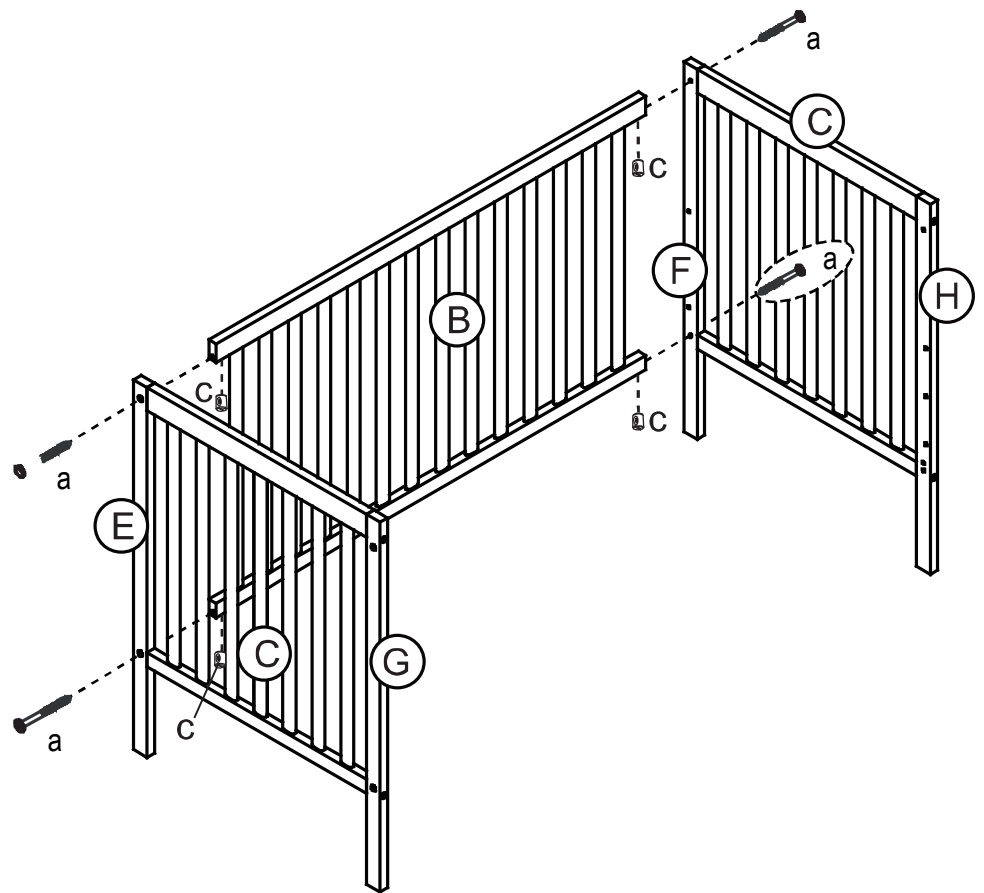
STEP2

Connect Left back leg (E) and Left front leg (G) to Side rails(C) use the same way as shown in STEP 1.



STEP3

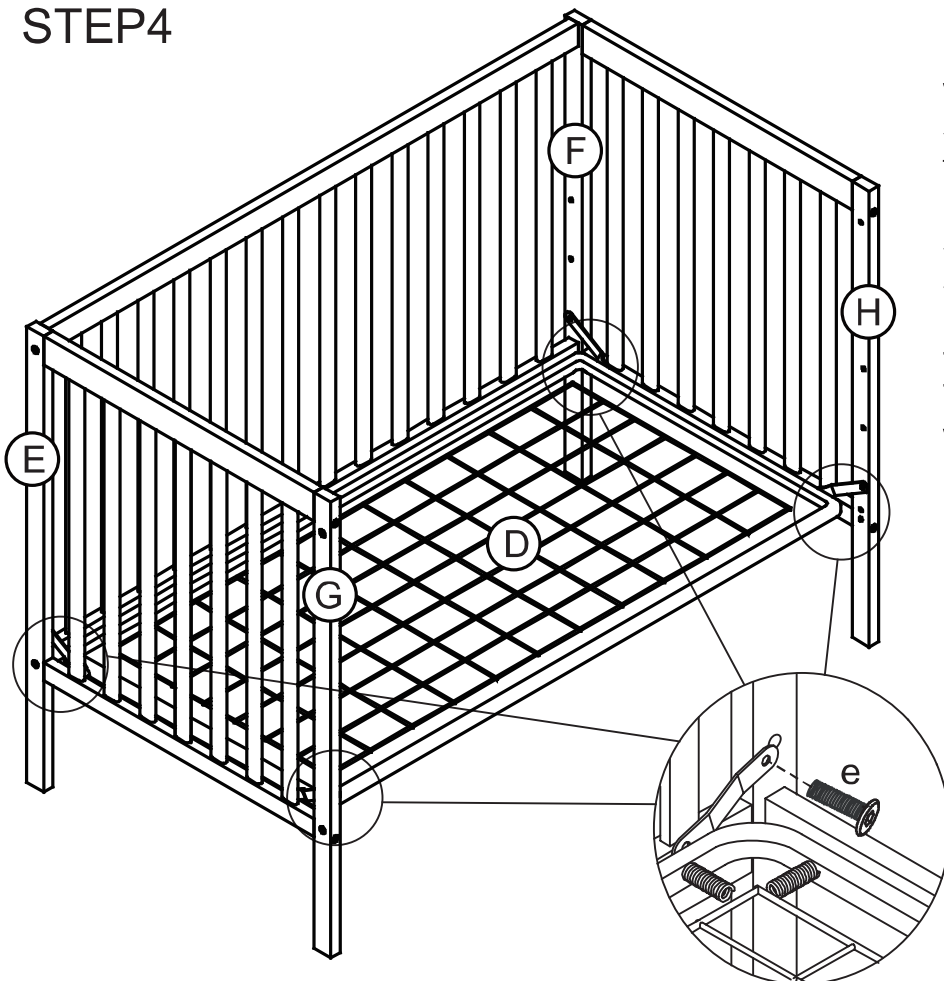
Connect Back rail (B) to Left & Right back legs (E&F) by Allen head bolts (a), Barrel nuts (c) and Allen wrench (d).



STEP4

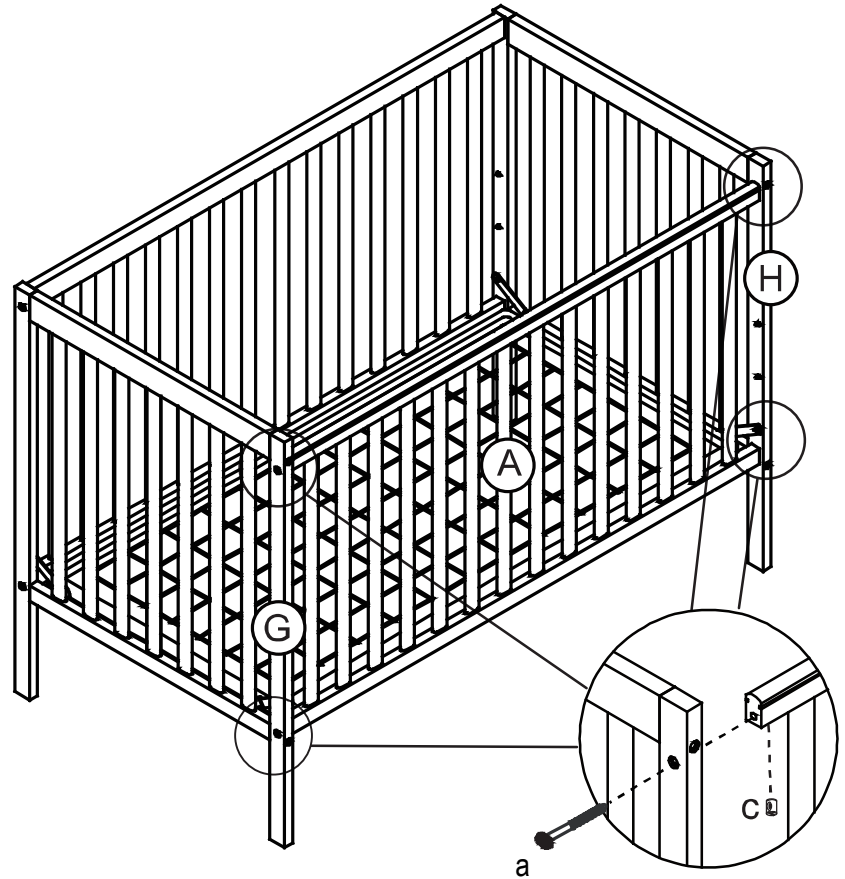
Locate the Mattress support (D) with tabs. Be sure the smooth side of the Mattress support is faced upward.

Position the tabs of the Mattress support (D) to mount to the selected position onto the legs. Insert the bolts (e) through the tabs and into thread inserts. Then tighten securely with Allen wrench (d).



STEP5

Connect Front rail (A) to the Left&Right front leg (G&H) by Allen head board (a) , Barrel nuts (c) and Allen wrench (d) .
TIGHTEN ALL THE BOLTS .

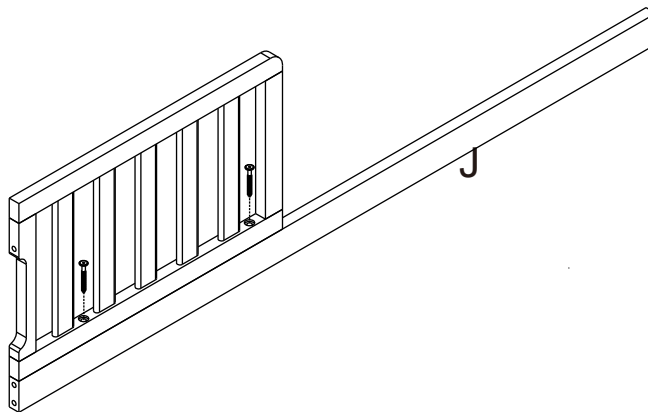


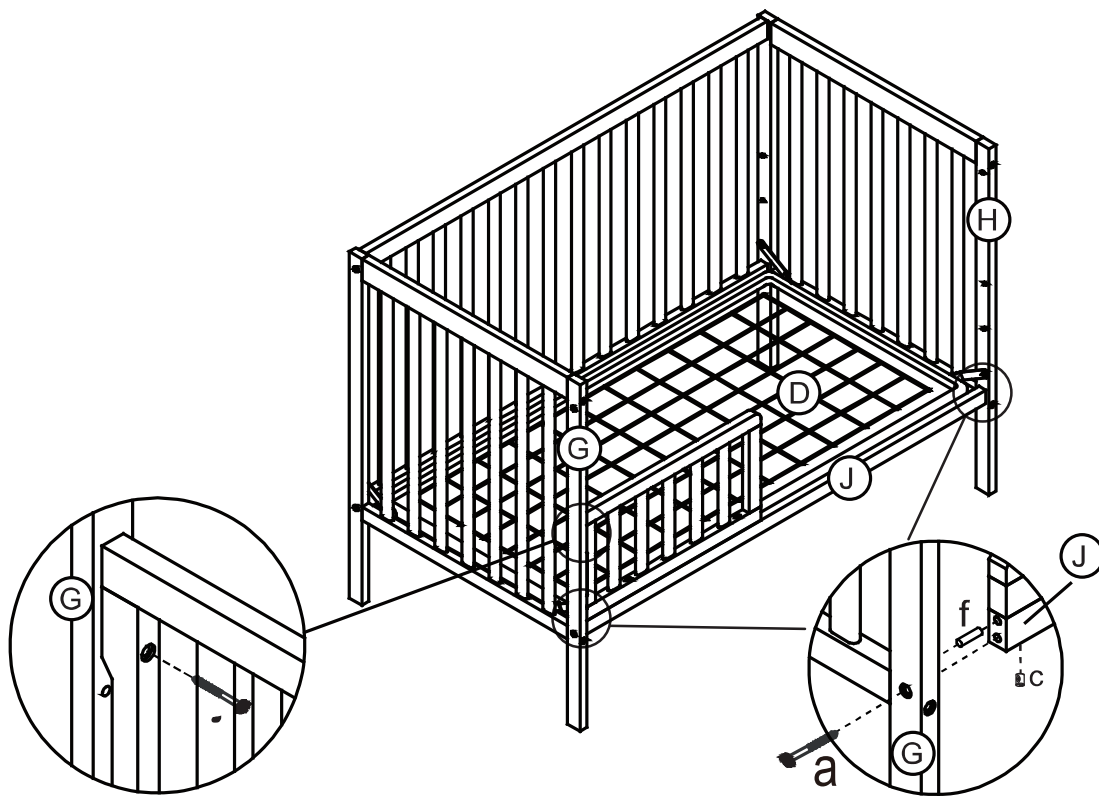
Converting crib to a toddler bed .

(toddler rail and converting bolts are sold separately)

Please note that the warning sticker is placed on the cribs to keep parents and caregivers informed it is a requirement by law under CPSC And ASTM.

We do apologize for any inconvenience this may cause you.





WARNING FOR TODDLER BED USE

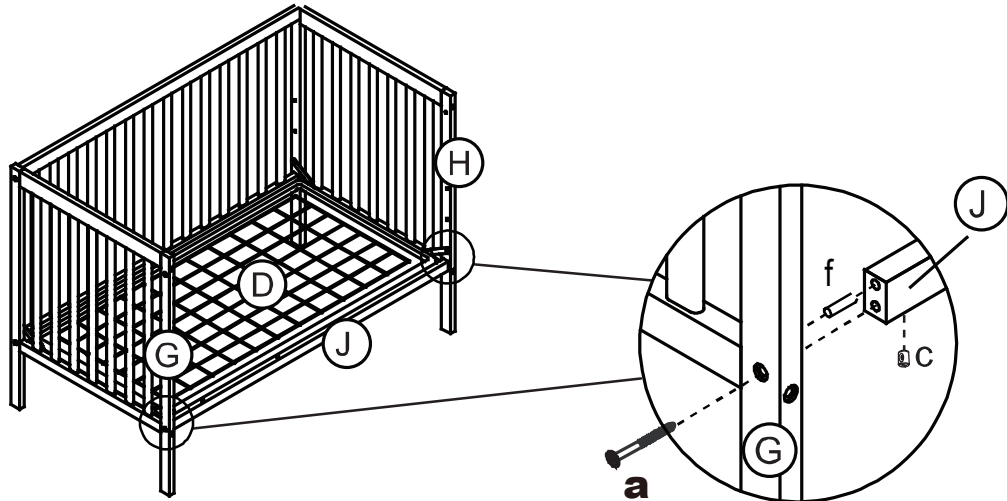
Failure to follow these warning and the assembly instructions could result in serious injury or death from entrapment or strangulation. DO NOT place bed near windows where cords from blinds or drapes may strangle a child. DO NOT place items with a string, cord, or ribbon around a child's neck, such as a hood, strings or pacifier cords. DO NOT suspend strings over a toddler bed for any reason.

The mattress intended for use on the bed shall be a full-size crib mattress having the dimensions of 51-5/8" (1310 mm) in length and 27-1/4" (690mm) in width and thickness of 4" (100mm) or a greater thickness as specified by the manufacture. The minimum age of the intended user shall not be less than 15 months and the maximum weight shall not be greater than 50lbs(22.7kgs).

Converting crib to a day bed

You have the option to convert crib to a day bed .

- 1.Remove the Front rail (A),keep the screws for use of next step.
- 2.Assemble the bottom bar (J) to the Left&Right front leg (G&H) by Allen head bolts (a) Barrel nuts (c) ,Wood dowel (f) and Allen wrench (d).
- 3.Install the Mattress Support (D) in its lowest position .

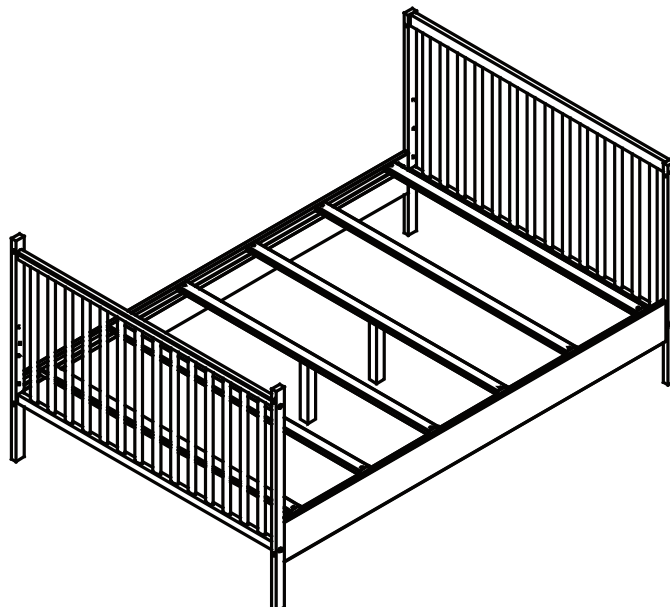


Converting crib to a full size bed I (Hollywood bed frame sold separately)

Conversion kit is sold separately

You have the option to convert crib to a full size bed.

- 1:Remove the metal spring support platform (D),side rails(C).
- 2:Use the back rail (B) & the left back leg (E) & the right back leg (F) as the headboard of full size bed.
- 3:Use the front rail (A) & the right front leg (G) & the right back leg (H) as the footboard of full size bed.
- 4:Connect the footboard and headboard of full size bed to the kits (legs, long rails,and hardware) which are not included and sold separately.



Converting crib to a full size bed II

(Hollywood bed frame sold separately)

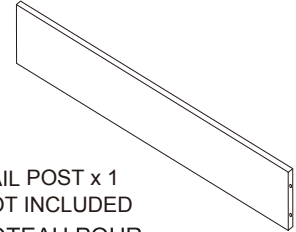
PARTS REQUIRED TO COMPLETE STEP
PIÈCES REQUISES POUR COMPLÉTER L'ÉTAPE



LEFT FOOT PLATFORM
POST x 1
NOT INCLUDED
POTEAU POUR LA
PLATEFORME PIED
GAUCHE x 1
NON FOURNI



RIGHT FOOT PLATFORM
POST x 1
NOT INCLUDED
POTEAU POUR LA
PLATEFORME PIED
DROIT x 1
NON FOURNI



RAIL POST x 1
NOT INCLUDED
POTEAU POUR
BALUSTRADE X 1
NON FOURNI

Conversion kit is sold separately

You have the option to convert crib to a full size bed II

1: Remove the metal spring support platform (D), side rails (C).

2: Use the back rail (B) & the left back leg (E) & the right back leg (F) as the headboard of full size bed.

3: Connect the left foot platform and the right foot platform to the rail which are not included and sold separately.

4: Connect the assembled parts and headboard of full size bed to the kits (legs, long rails, and hardware) which are not included and sold separately.

