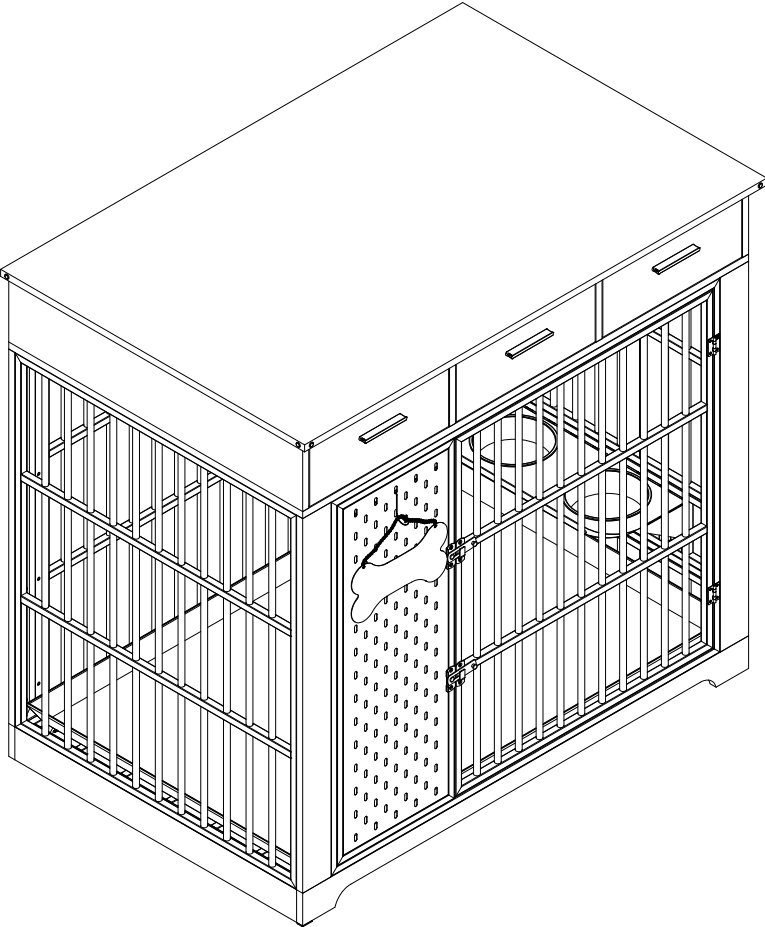


HOTAMO Dog Crate Furniture User Manual



NOTICE

Dear Customer,

All of our products have got strict quality inspection, but we can't guarantee that each set got no issues. When you get troubles with installation or found any product issues, such as wood breakage, lacquer scratch, toolkit missing etc, we hope that you can contact our mailbox: niexift234528@163.com before you give feedback or review, we will solve your problem until you are satisfied, thank you!

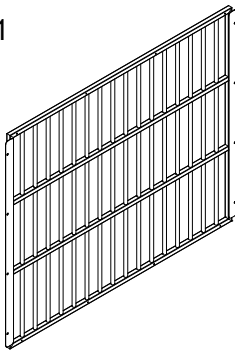
HOTAMO

Please check the installation videos on our YouTube channel named:

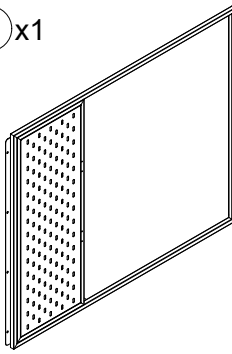
**HOTAMO Dog Crate
Furniture Installation Video**



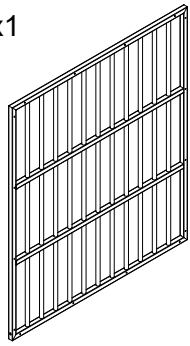
1 x1



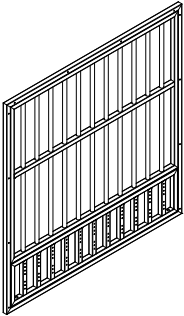
2 x1



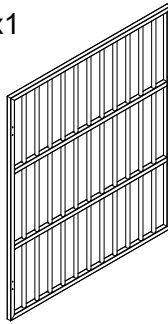
3 x1



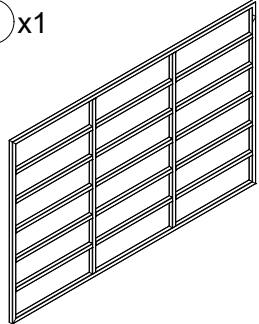
4 x1



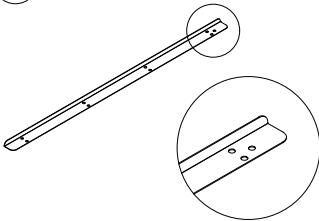
5 x1



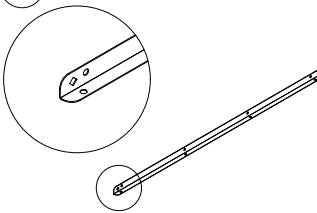
6 x1



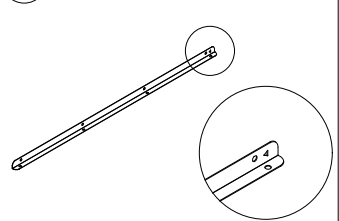
7 x1



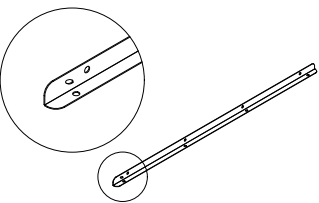
8 x2



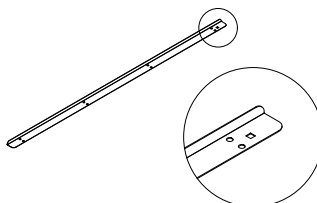
9 x2



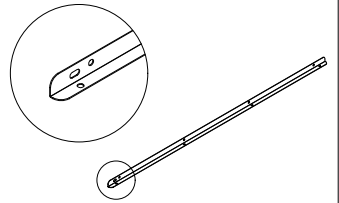
10 x2



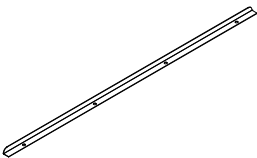
11 x2



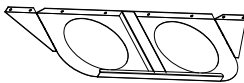
12 x2



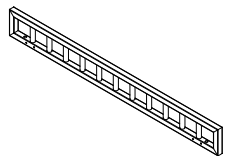
13 x1



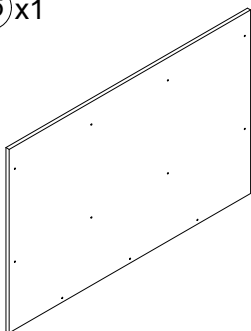
14 x1



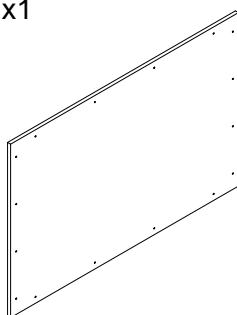
15 x1



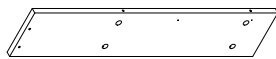
16)x1



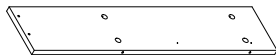
17)x1



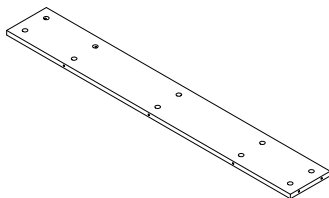
18)x1



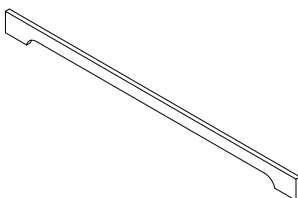
19)x1



20)x1



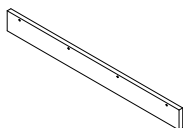
21)x2



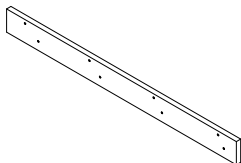
22)x2



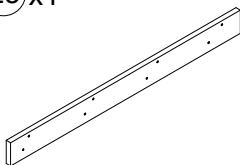
23)x2



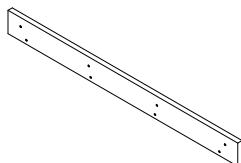
24)x1



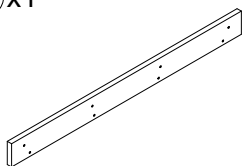
25)x1



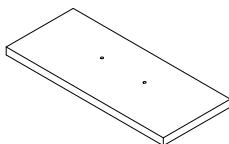
26)x1



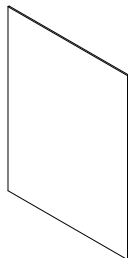
27)x1



28)x3



29)x3



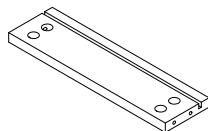
30)x3

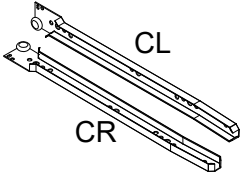
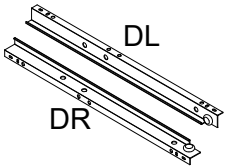
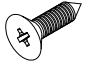
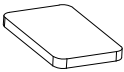


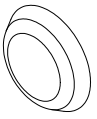

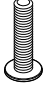
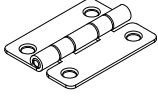
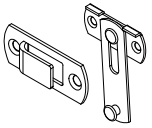
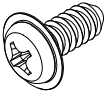
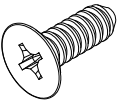
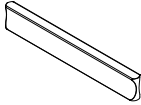
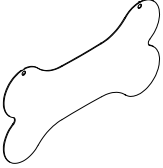
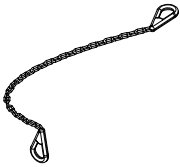
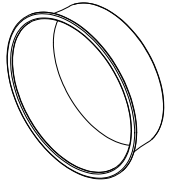
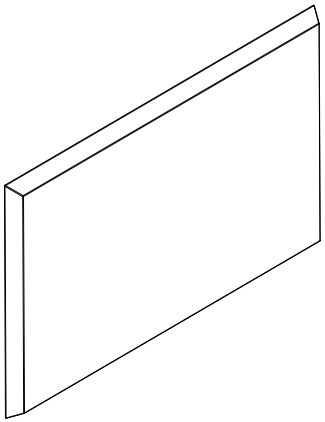


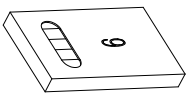


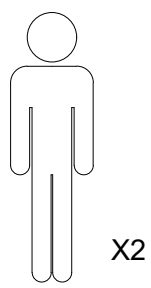
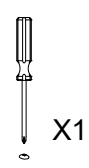
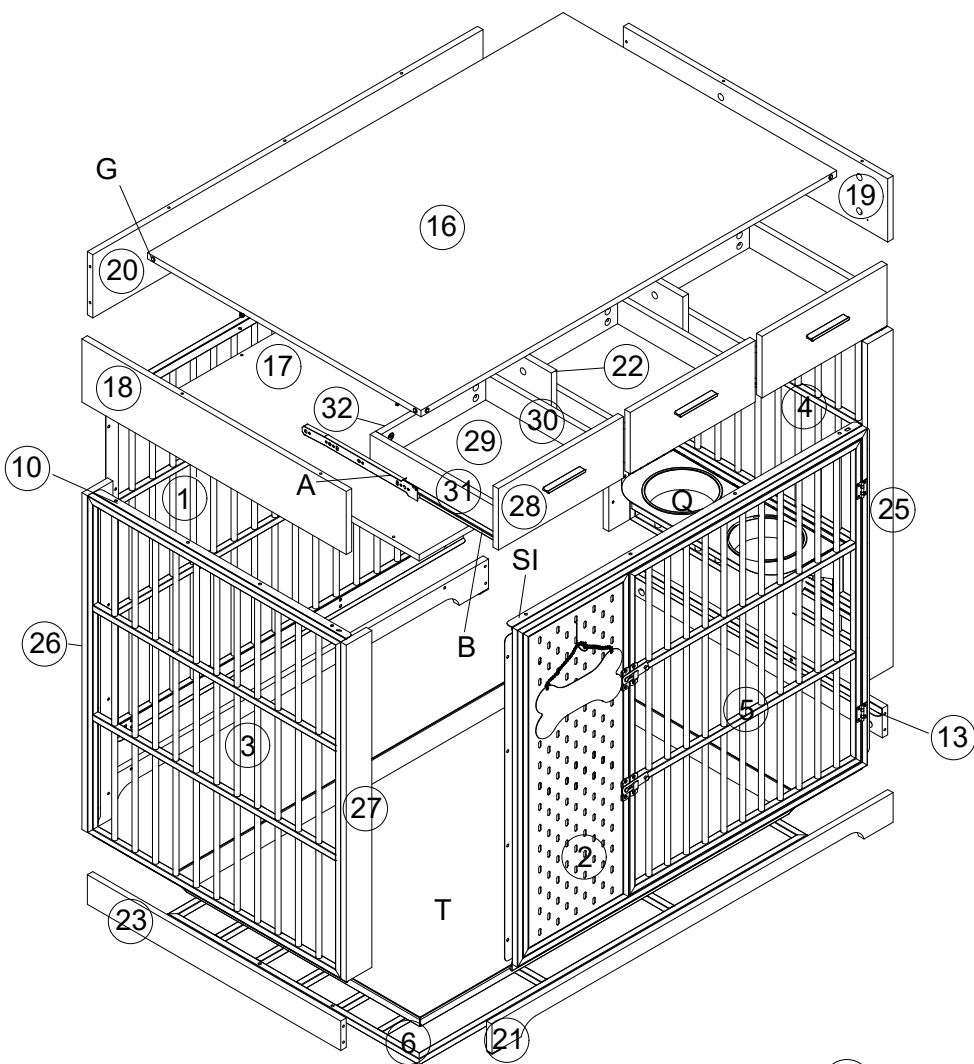
31)x3



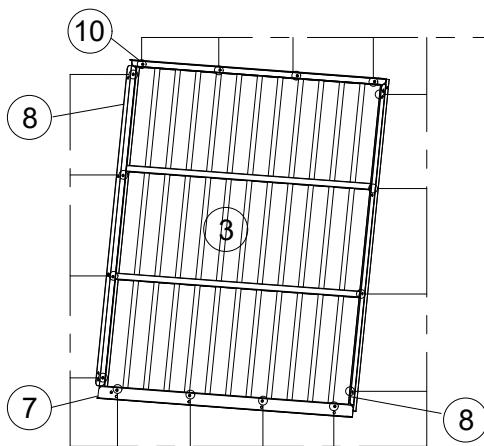
32)x3



<p>Ax3</p> 	<p>Bx3</p> 	<p>Cx94</p> 	
<p>Dx4</p> 	<p>Ex58</p> 	<p>Fx58</p> 	<p>Gx8</p> 
<p>Hx10</p> 	<p>Ix6</p> 	<p>Jx4</p> 	<p>Kx2</p> 
<p>Lx68</p> 	<p>Mx8</p> 	<p>Nx3</p> 	<p>Ox1</p> 
<p>Px1</p> 	<p>Qx2</p> 	<p>Ux1</p> 	
<p>Rx1</p> 	<p>Sx3</p> 	<p>Tx1</p> 	

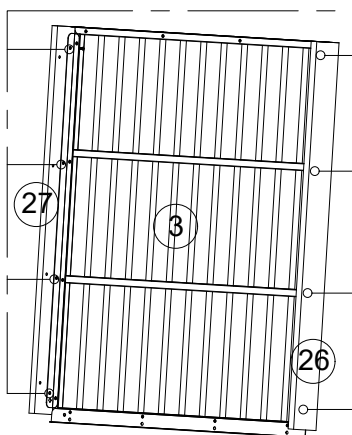


Step 1



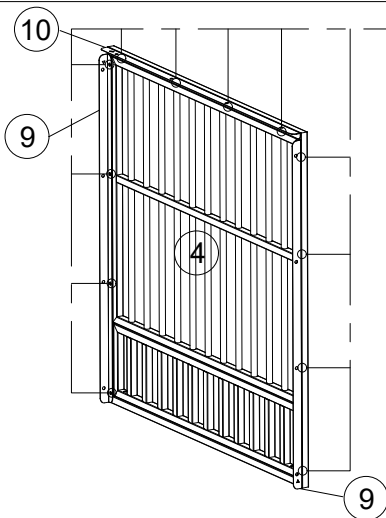
Lx16

Step 2



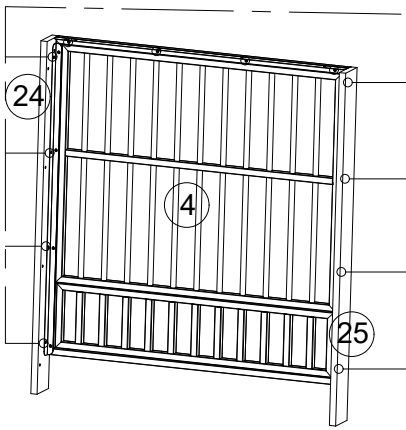
Cx8

Step 3



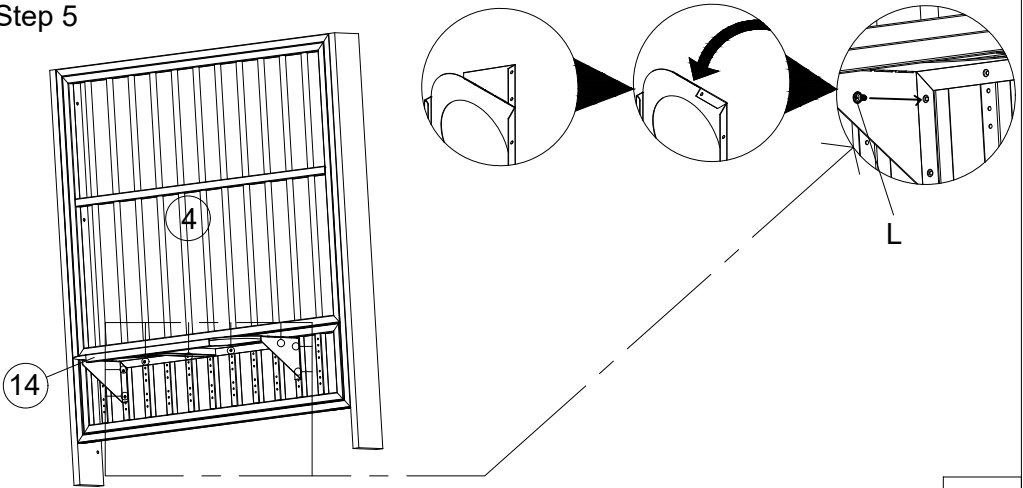
Lx12

Step 4



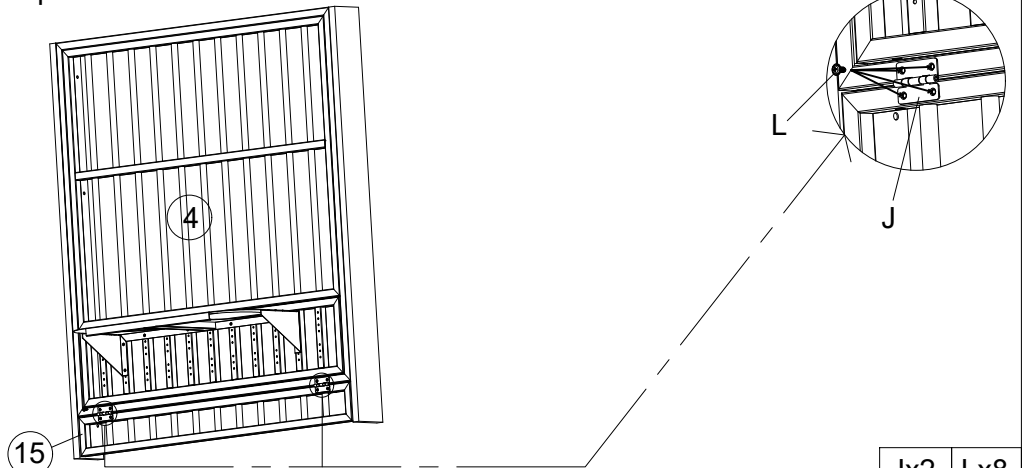
Cx8

Step 5



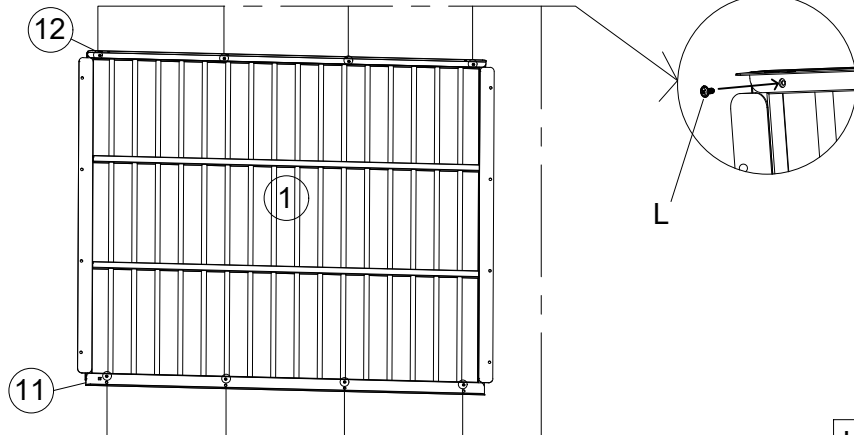
Lx8

Step 6



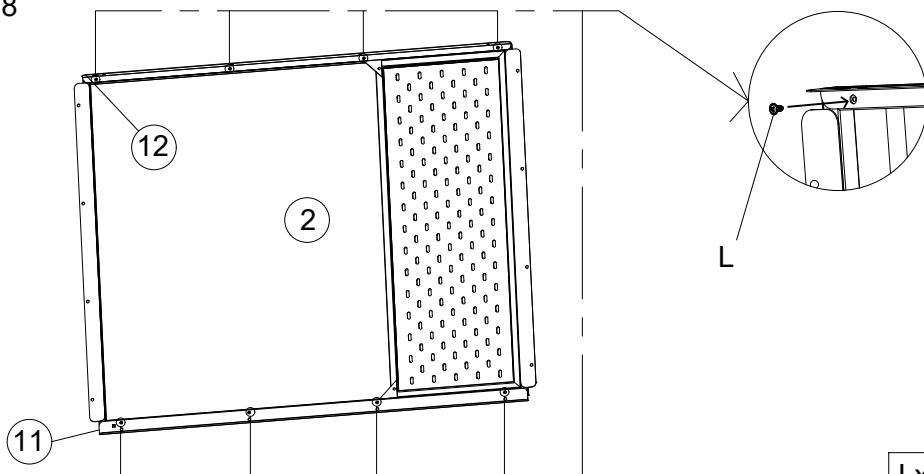
Jx2 Lx8

Step 7



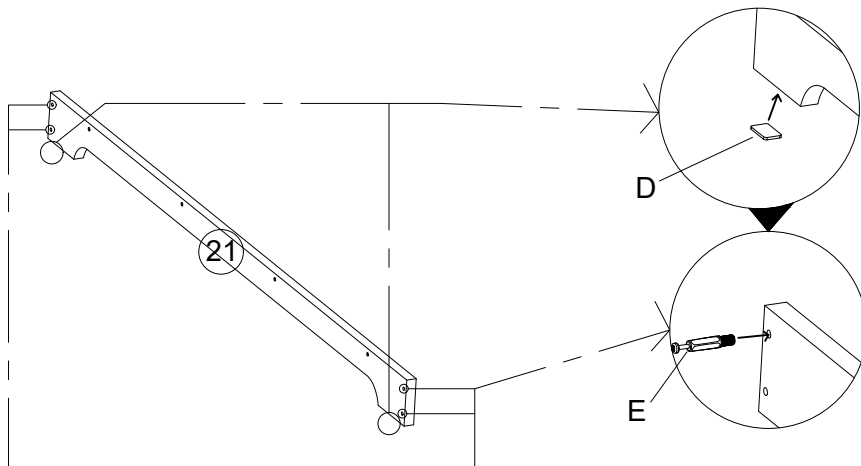
Lx8

Step 8



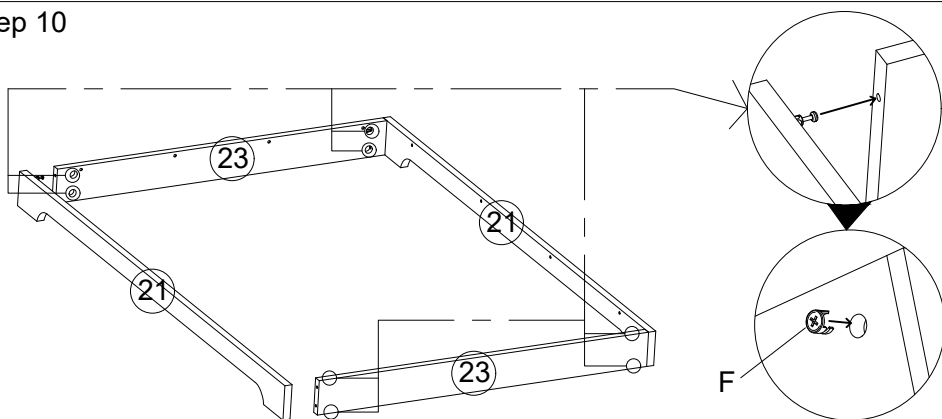
Lx8

Step 9



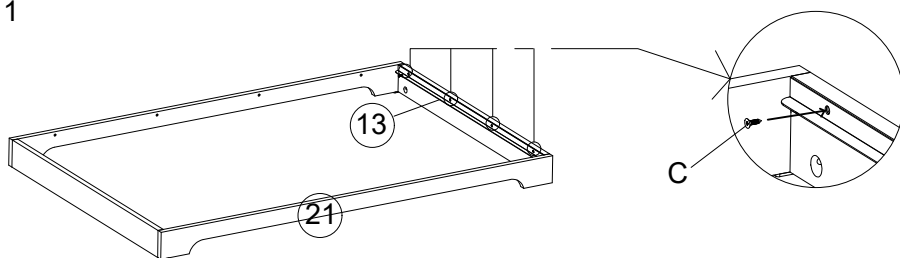
Dx2 Ex4

Step 10



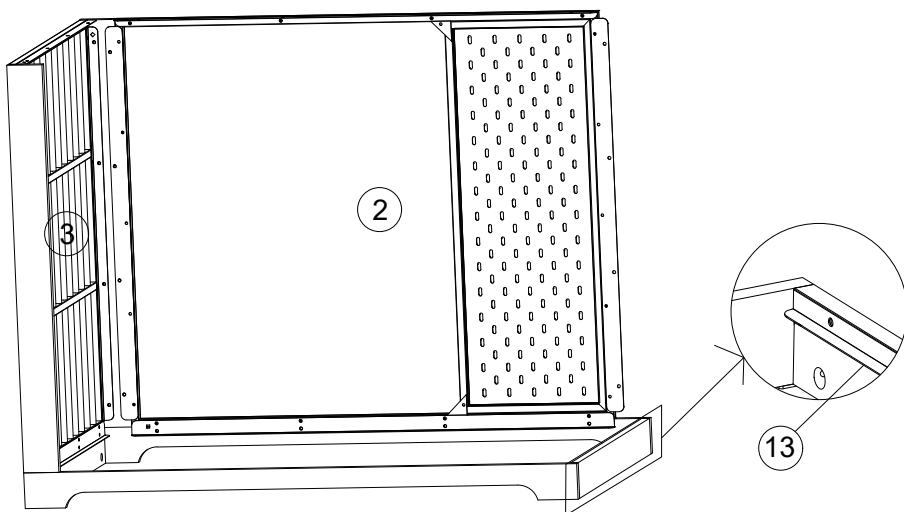
Fx8

Step 11

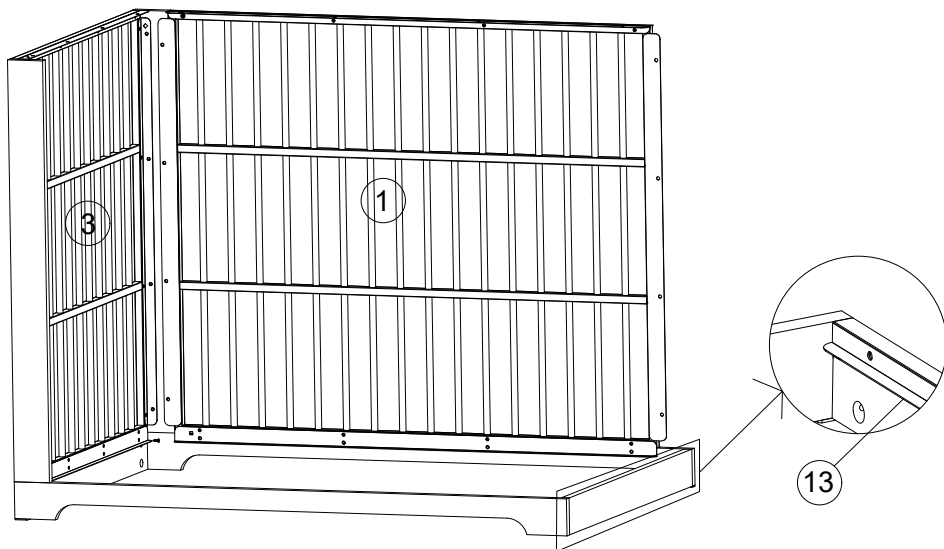


Cx4

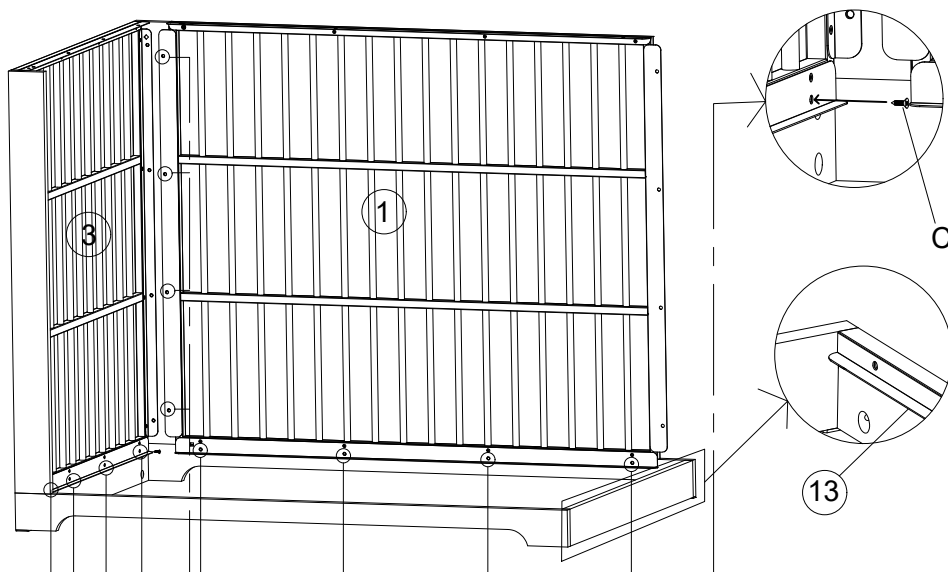
If you want to make the dog bowl on the left, please place the board 1# and 2# like the picture



If you want to make the dog bowl on the right, please place the board 1# and 2# like the picture

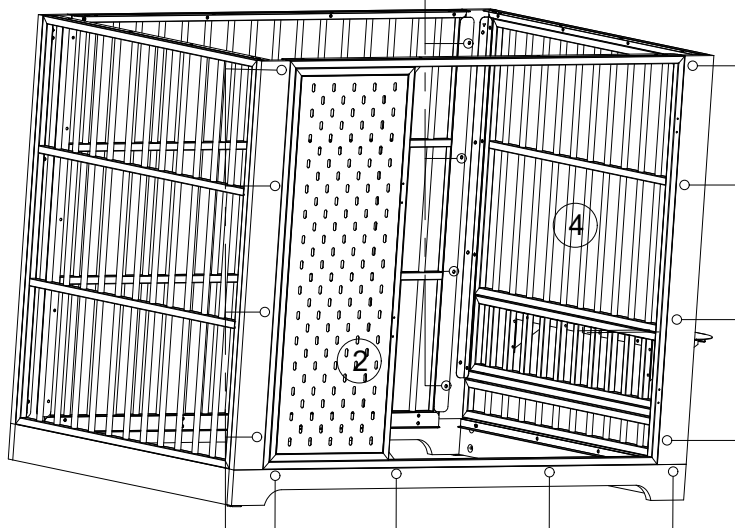


Step 12



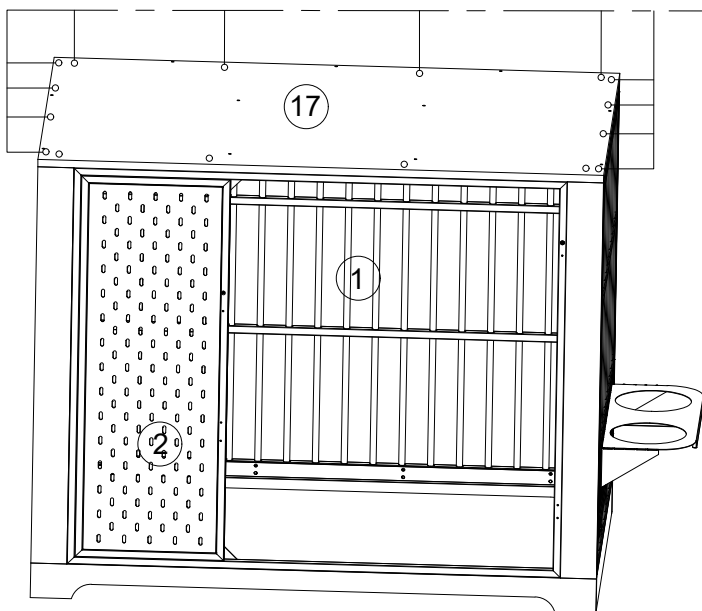
Cx12

Step 13



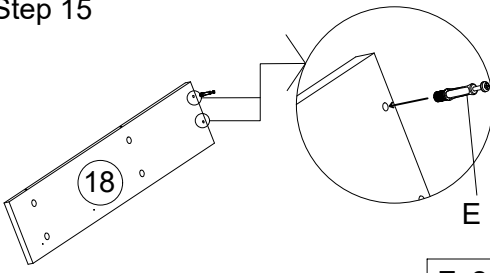
Cx16

Step 14



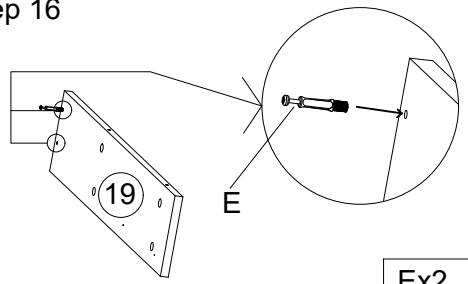
Cx16

Step 15



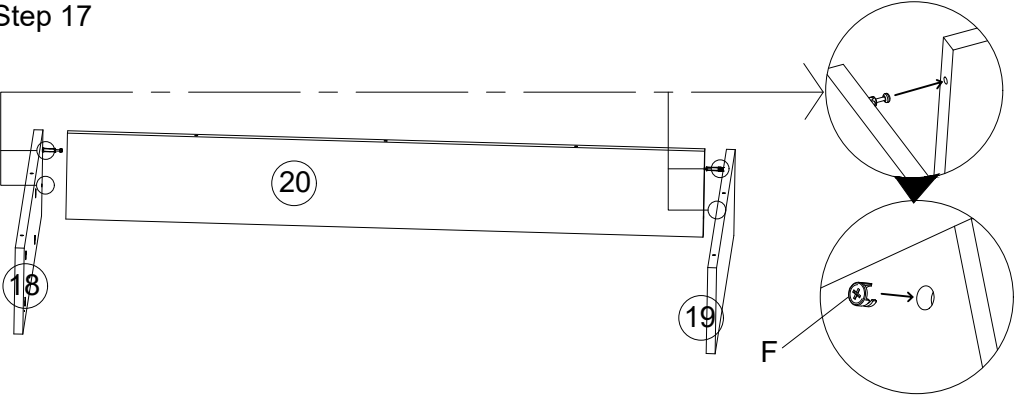
Ex2

Step 16



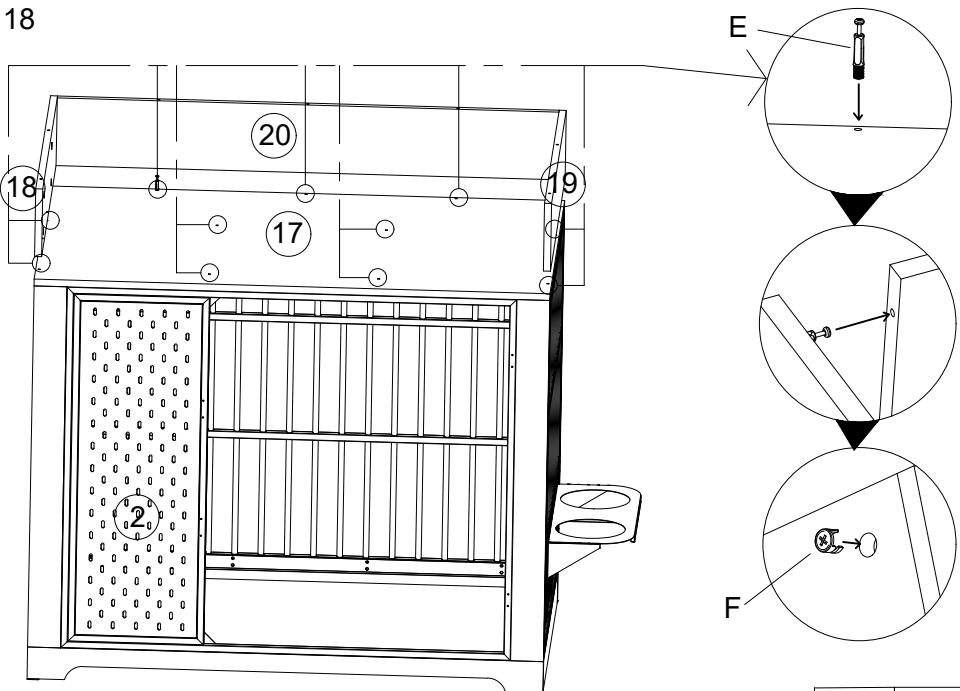
Ex2

Step 17



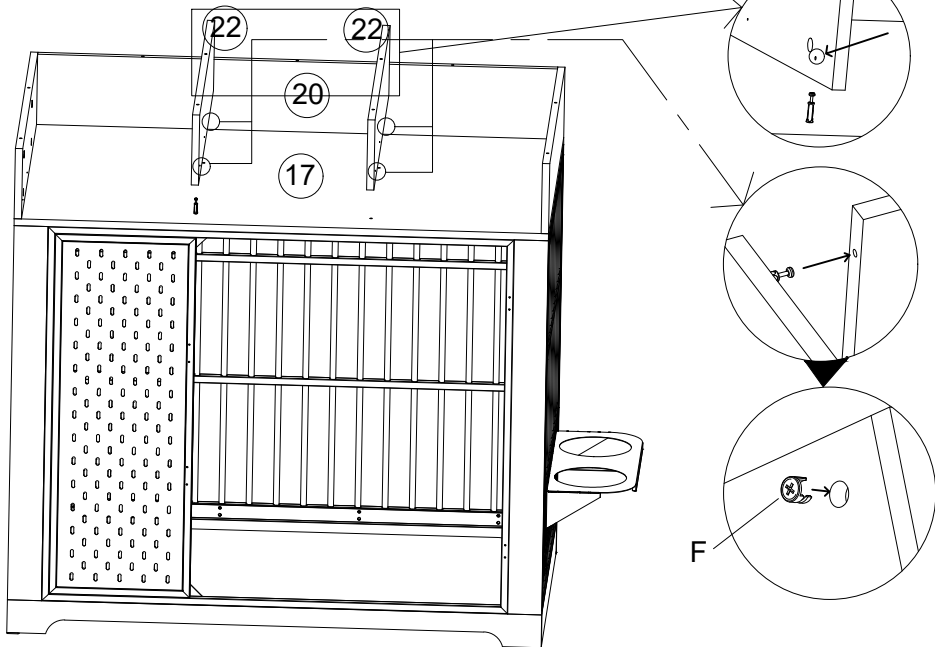
Fx4

Step 18



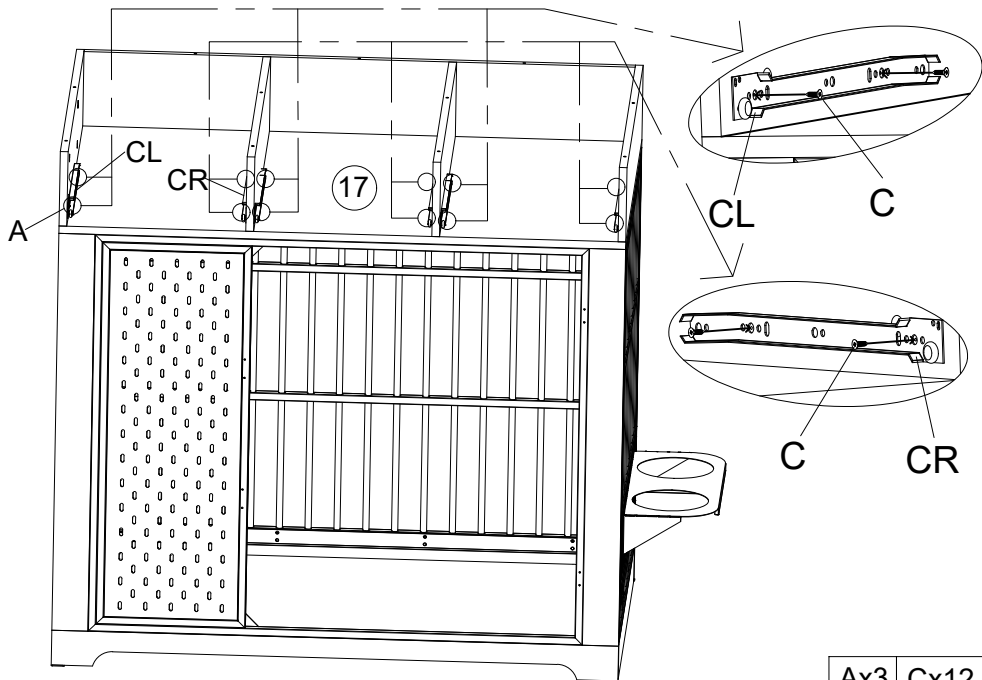
Ex11 Fx7

Step 19



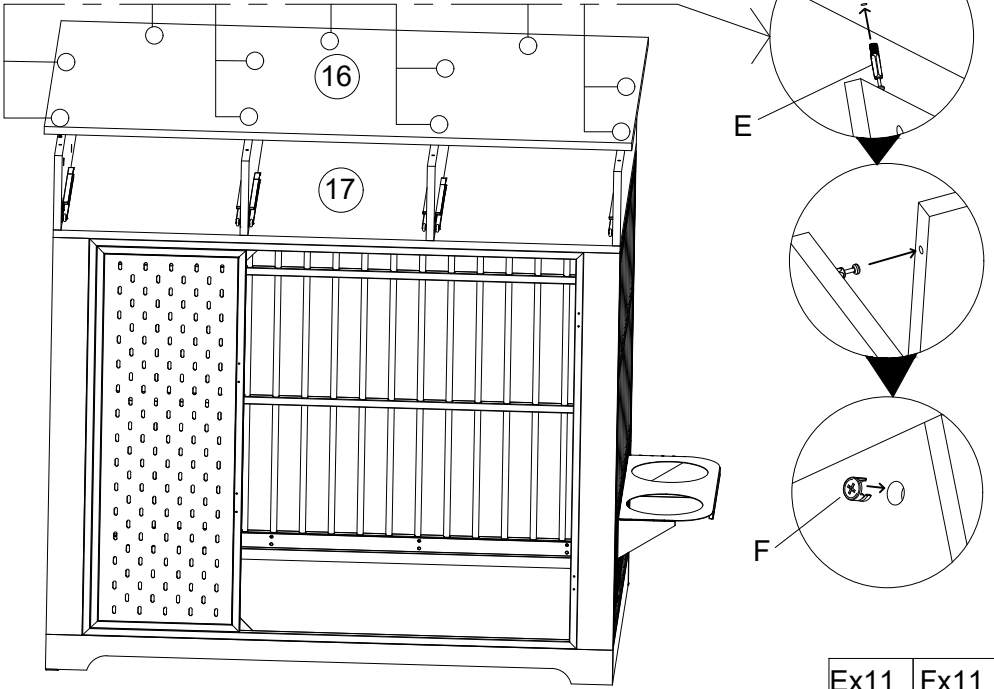
Fx4

Step 20

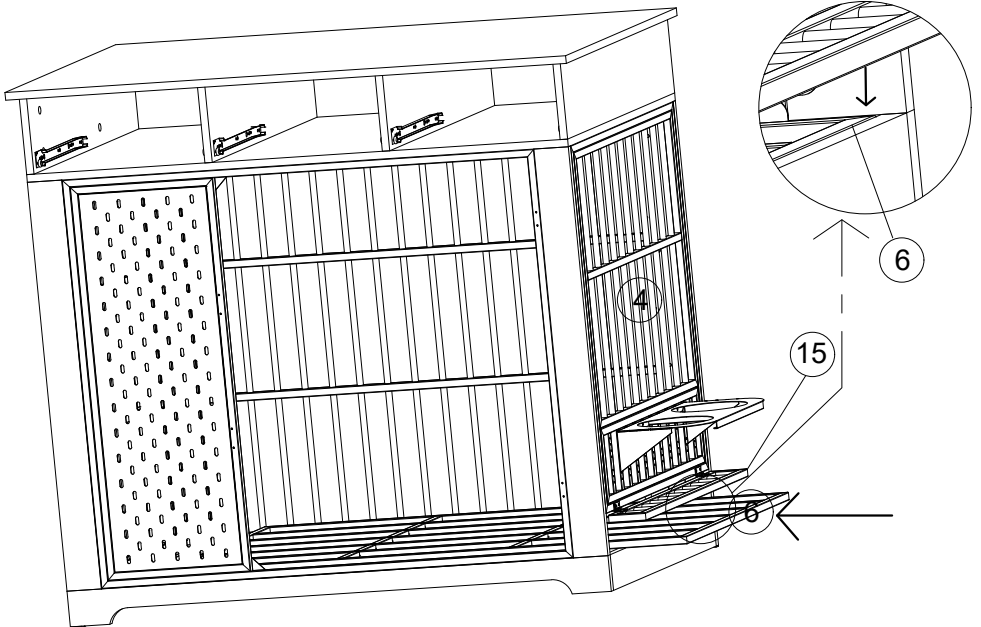


Ax3 Cx12

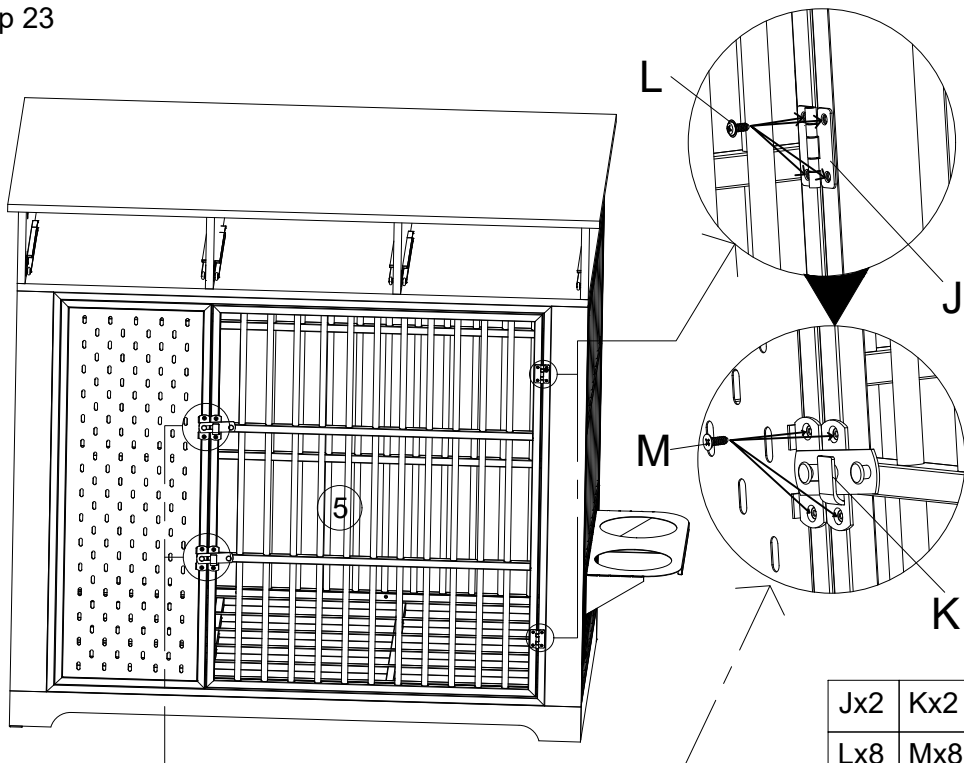
Step 21



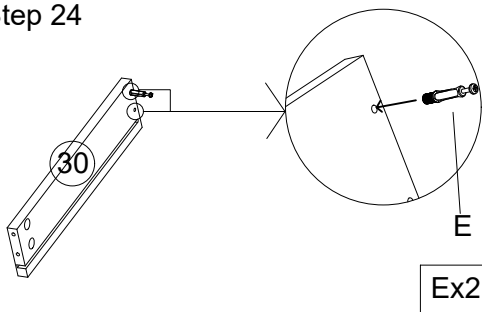
Step 22



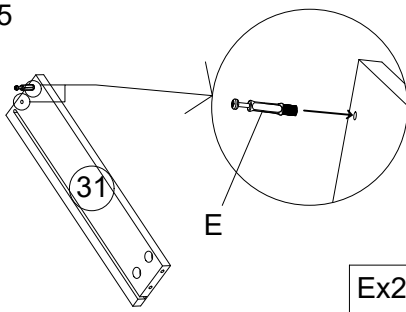
Step 23



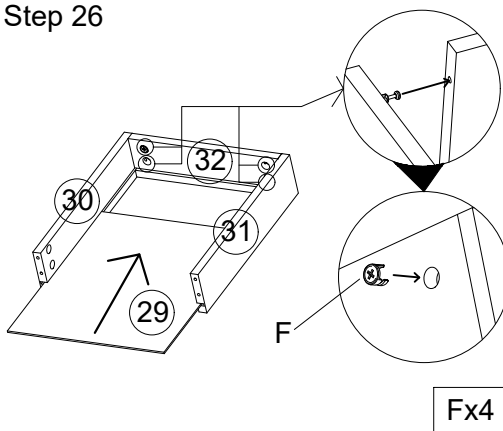
Step 24



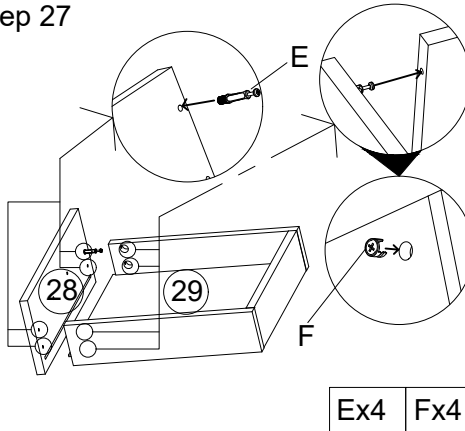
Step 25



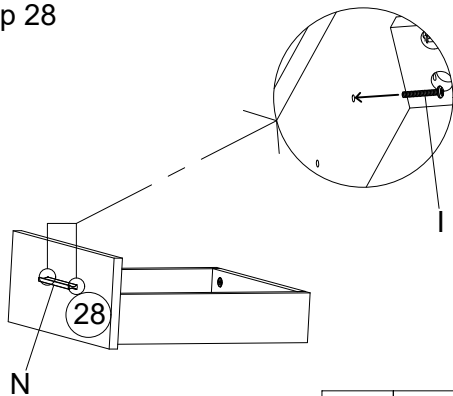
Step 26



Step 27

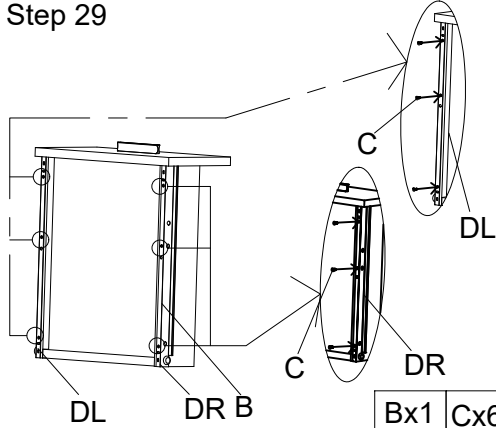


Step 28



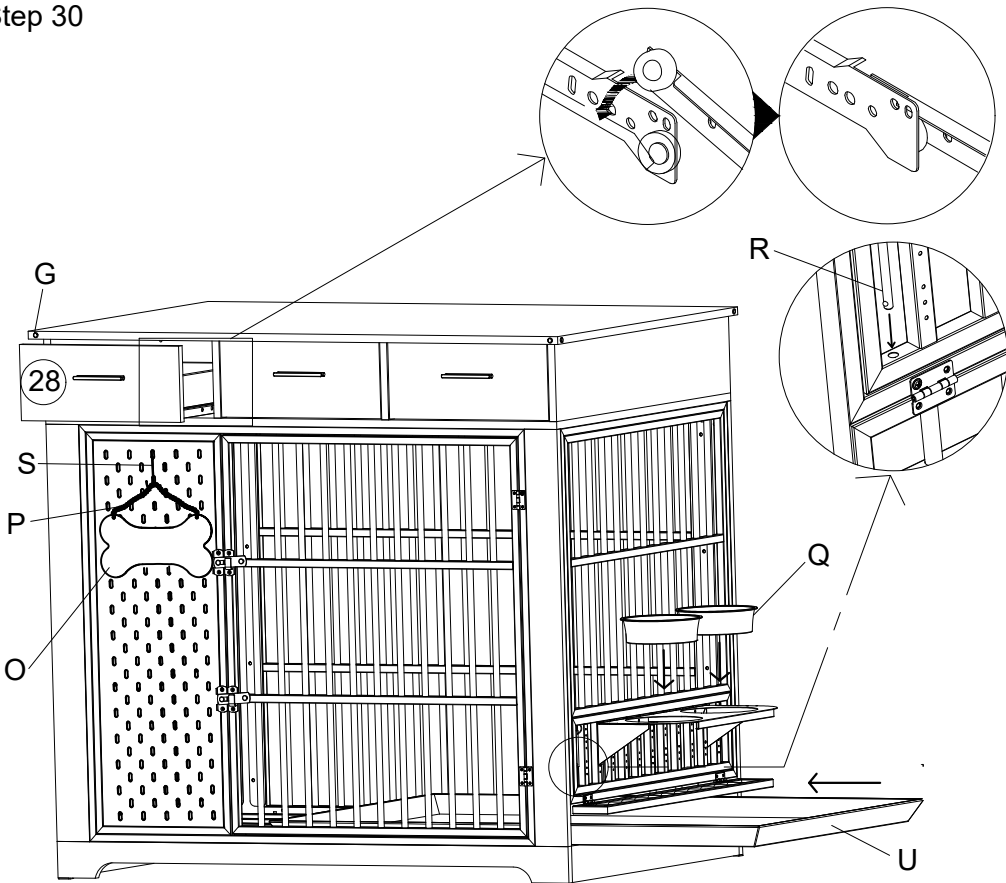
Nx1 lx2

Step 29



Bx1 Cx6

Step 30



Gx8	Sx3	Px1
Qx2	Rx1	Ux1