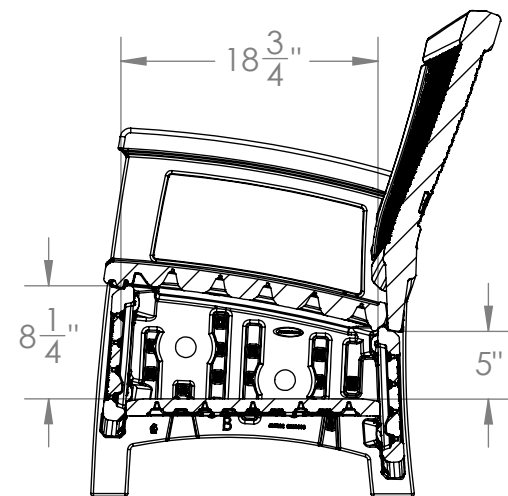
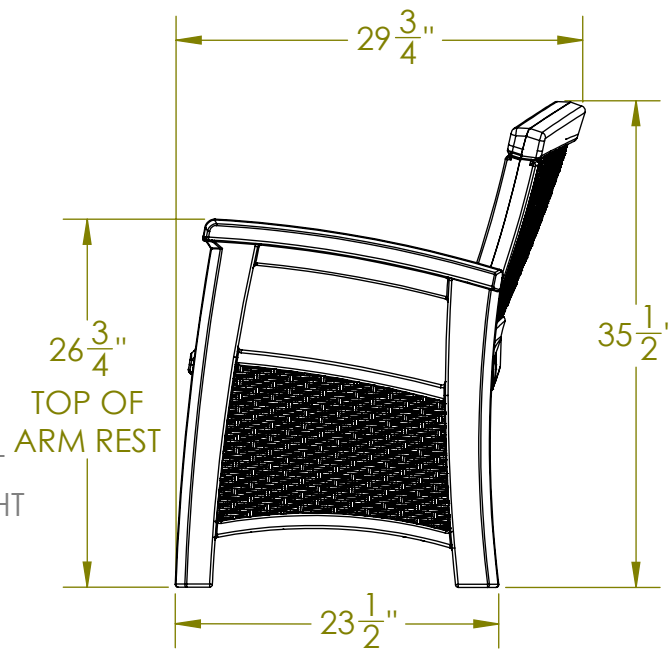
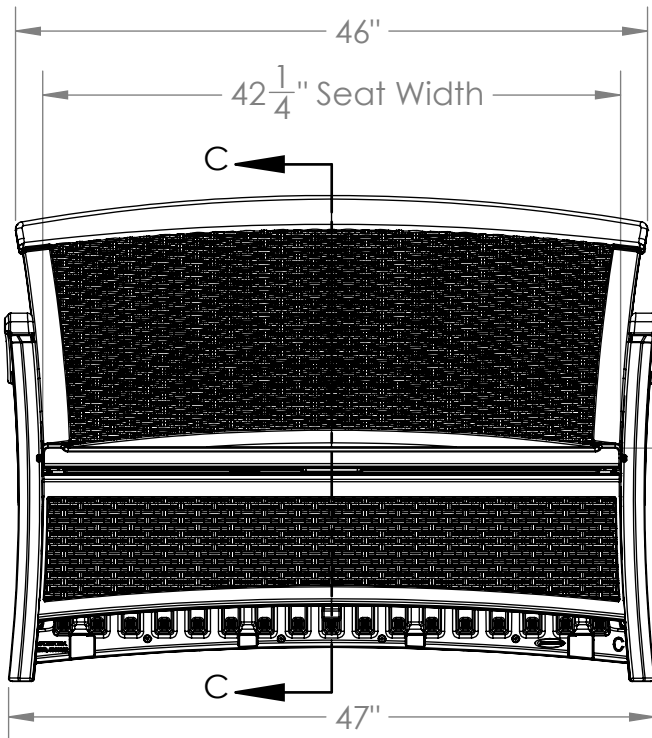


SECTION B-B



Storage Height & Depth
SECTION C-C