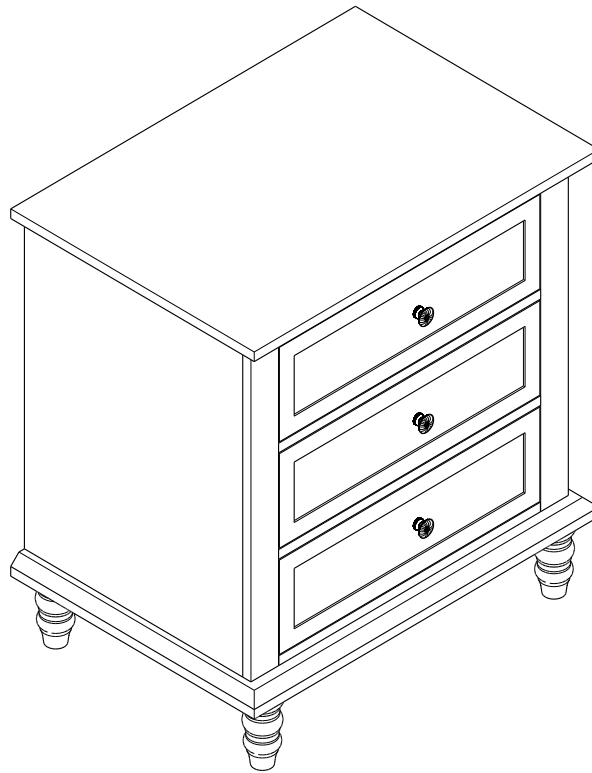


ASSEMBLY TIPS



! WARNING:

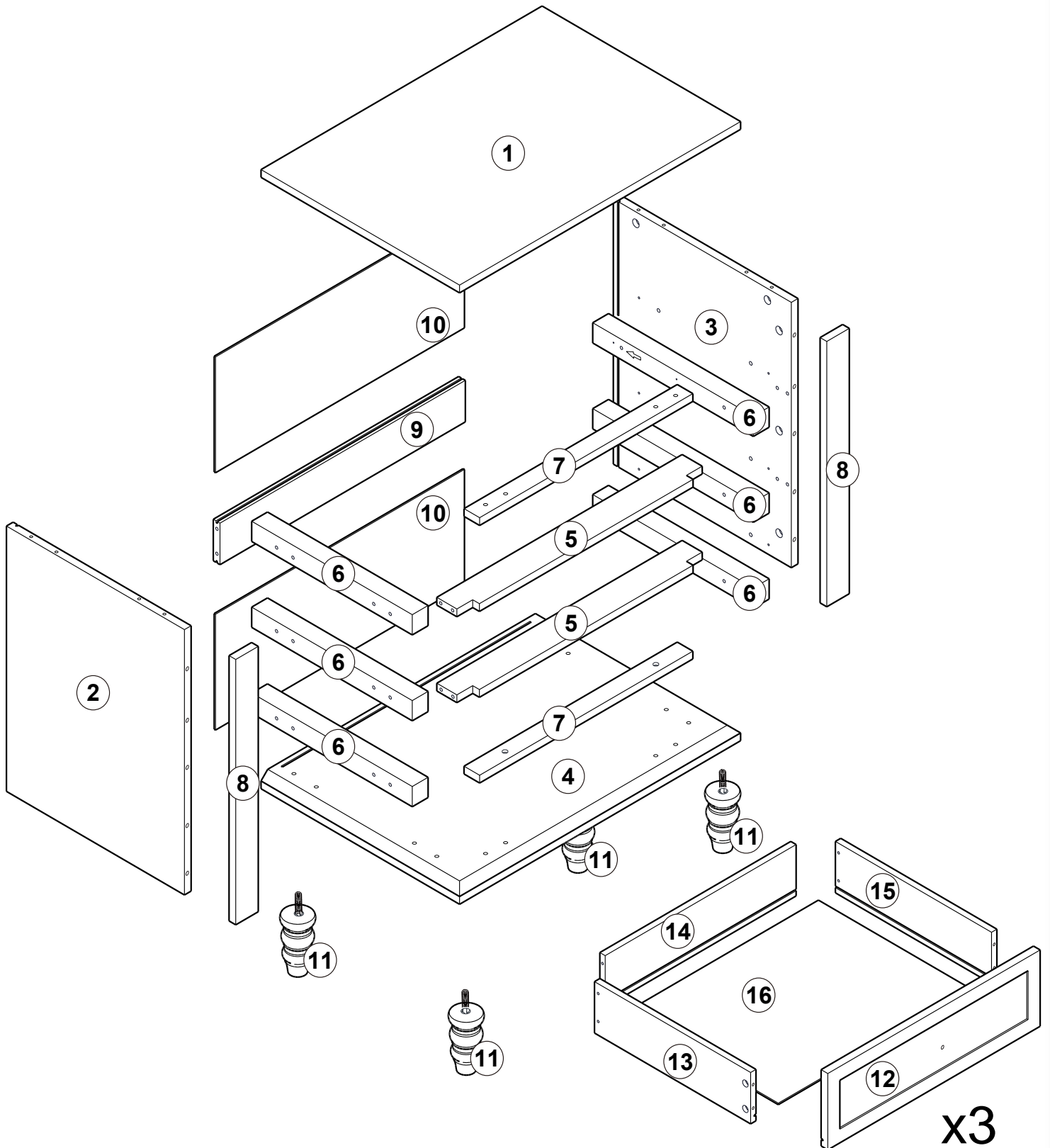
- Do not allow children to climb on unit
- Serious or fatal crushing injuries can occur from furniture tip-over. To prevent this furniture from tipping over, it must be permanently fixed to the wall. Fixing devices for the wall are not included since different wall materials require different types of fixing devices. Use fixing devices suitable for the walls in your home. For advice on suitable fixing systems, contact your local specialized dealer
- Avoid sharp objects or corrosive chemicals to prevent damage to the product
- During assembly, keep parts and packaging materials away from children and pets as there could be potential injury and choking hazards

Caution:

1. This product is designed for home use and not intended for commercial use.
2. This product contains small components. Please ensure that they are kept away from small children.
3. Be careful when using power tools to assemble your furniture. Power tools may strip or damage the parts.

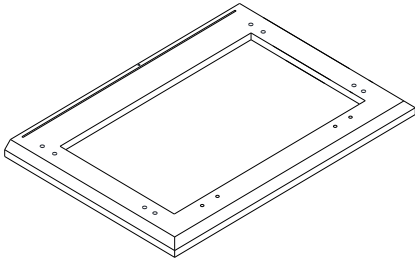
IDENTIFY PARTS

One unit per box



COMPONENTS

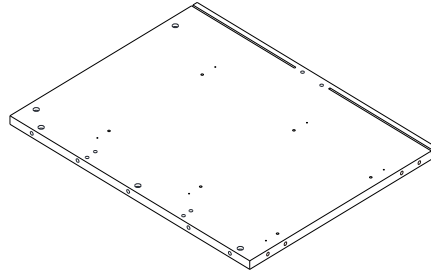
1



630x445x30mm

Top Panel x1

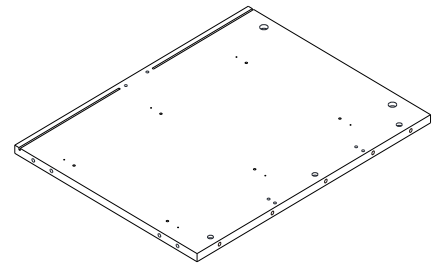
2



511x399x15mm

Left Side Panel x1

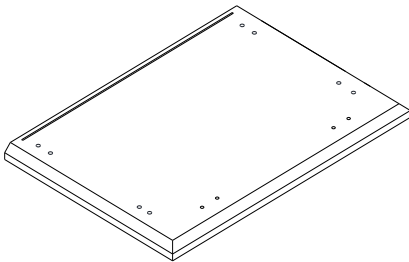
3



511x399x15mm

Right Side Panel x1

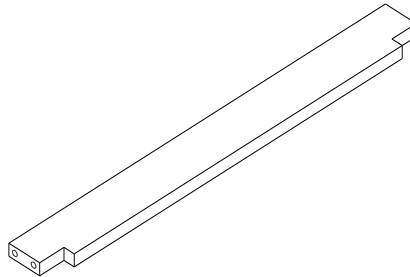
4



630x445x30mm

Bottom Panel x1

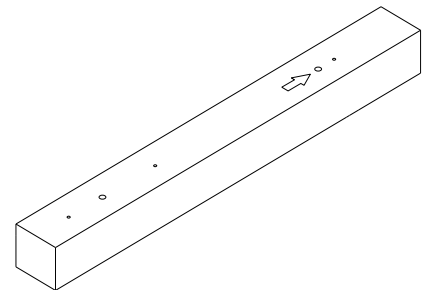
5



550x60x15mm

Connecting Panel x2

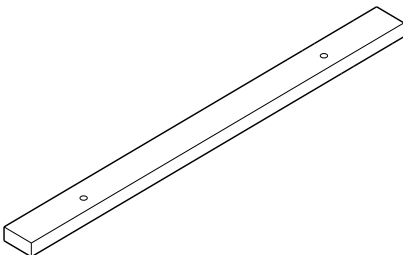
6



360x39x36mm

Slide strips Panel x6

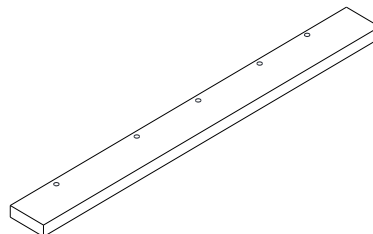
7



478x35x15mm

Connecting Panel x2

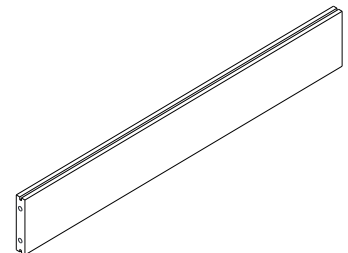
8



511x50x15mm

Front vertical bar Panel x2

9

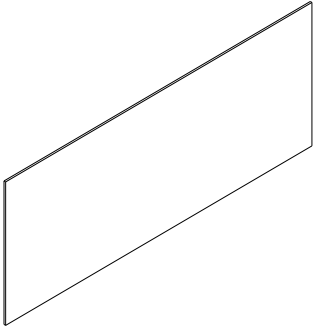


550x80x15mm

Wood Strip x1

COMPONENTS

10



558x223x3mm

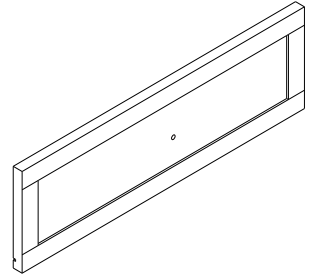
Back Panel x2

11



Leg x4

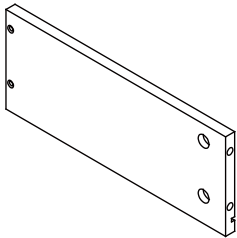
12



473x144x15mm

Drawer Left Side Panel x3

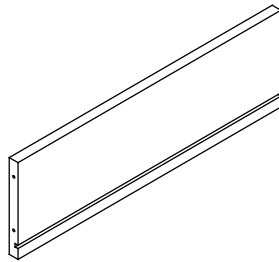
13



350x99x12mm

Drawer Left Side Panel x3

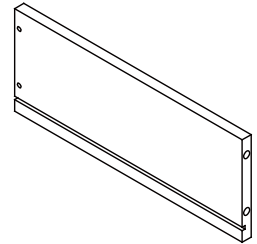
14



428x99x12mm

Drawer Back Panel x3

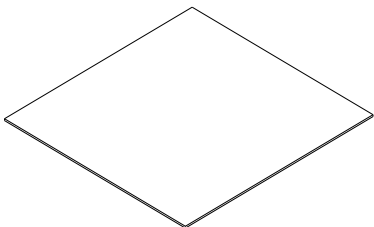
15



350x99x12mm

Drawer Right Side Panel x3

16



436x346x5mm

Drawer Bottom Panel x3

COMPONENTS

A



+1(spare)

M6x35mm

Cam Bolt x30

B

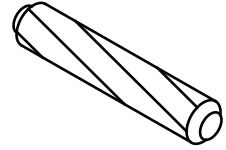


+1(spare)

M15x10mm

Cam Lock x30

C

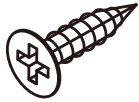


+1(spare)

M6x30mm

Wood Dowel x32

D

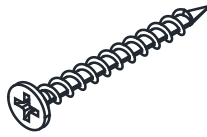


+1(spare)

M3x12mm

Screw x30

E

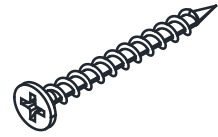


+1(spare)

M4x30mm

Screw x28

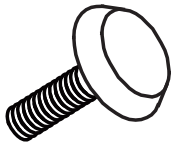
F



M4x40mm

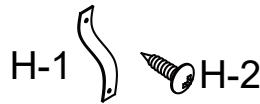
Screw x4

G



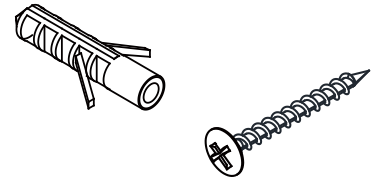
Adjustable Footpad x4

H



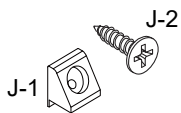
Anti-tipping Belt & Screw x1

I



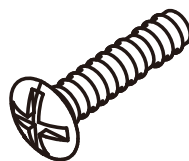
Plastic Anchor & Screw x1

J



Mending Wedge & Screw x8

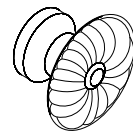
K



M4x22mm

Knob Screw x3

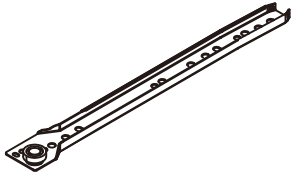
L



Knob x3

COMPONENTS

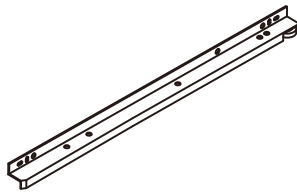
CL



M350

Cabinet left Slide x3

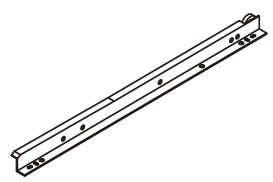
DR



M350

Drawer Right slide x3

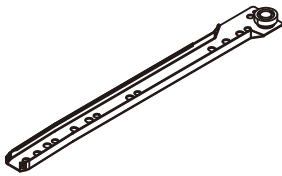
DL



M350

Drawer Left slide x3

CR



M350

Cabinet Right Slide x3

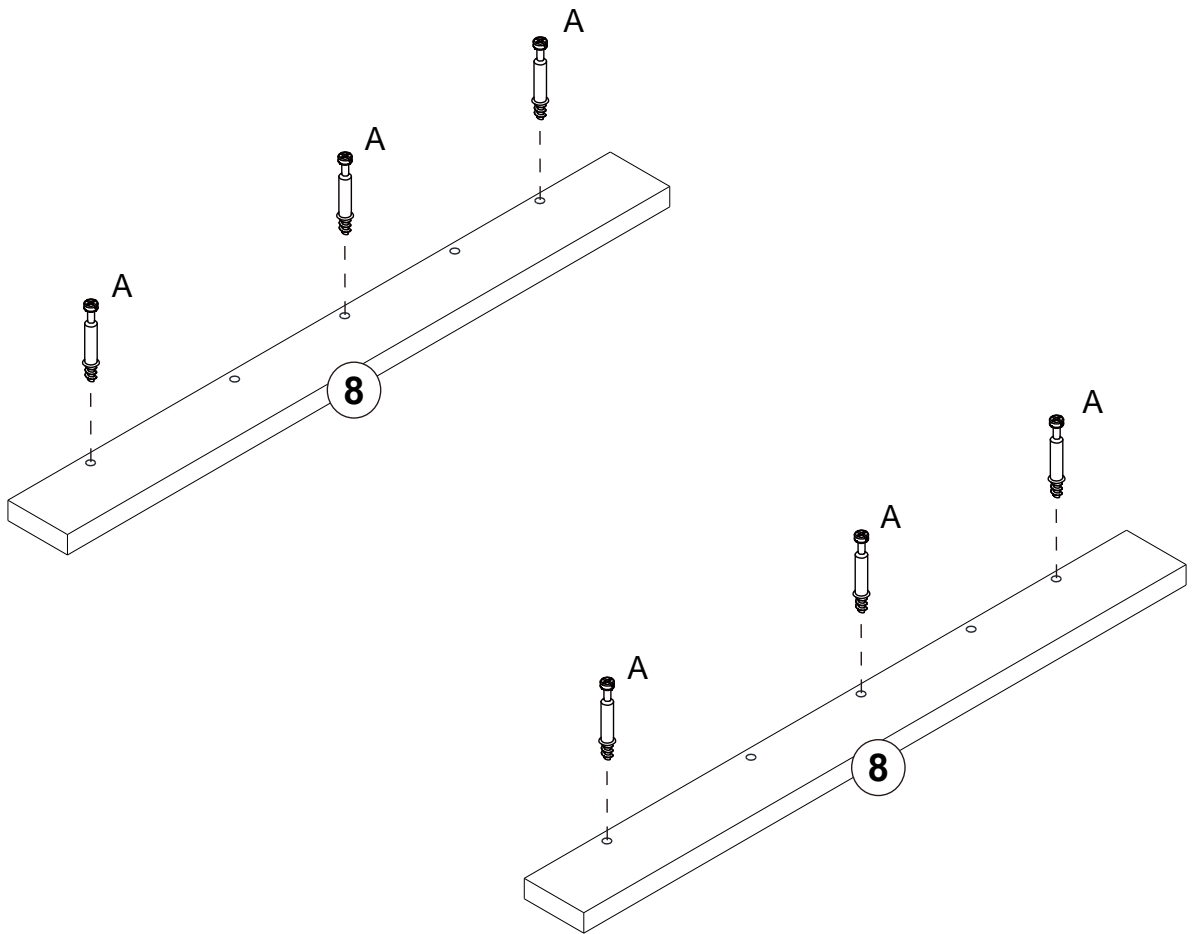
ASSEMBLY STEPS

A x 6



STEP 1

Screw the Cam Bolt (A) into the Panel (8).

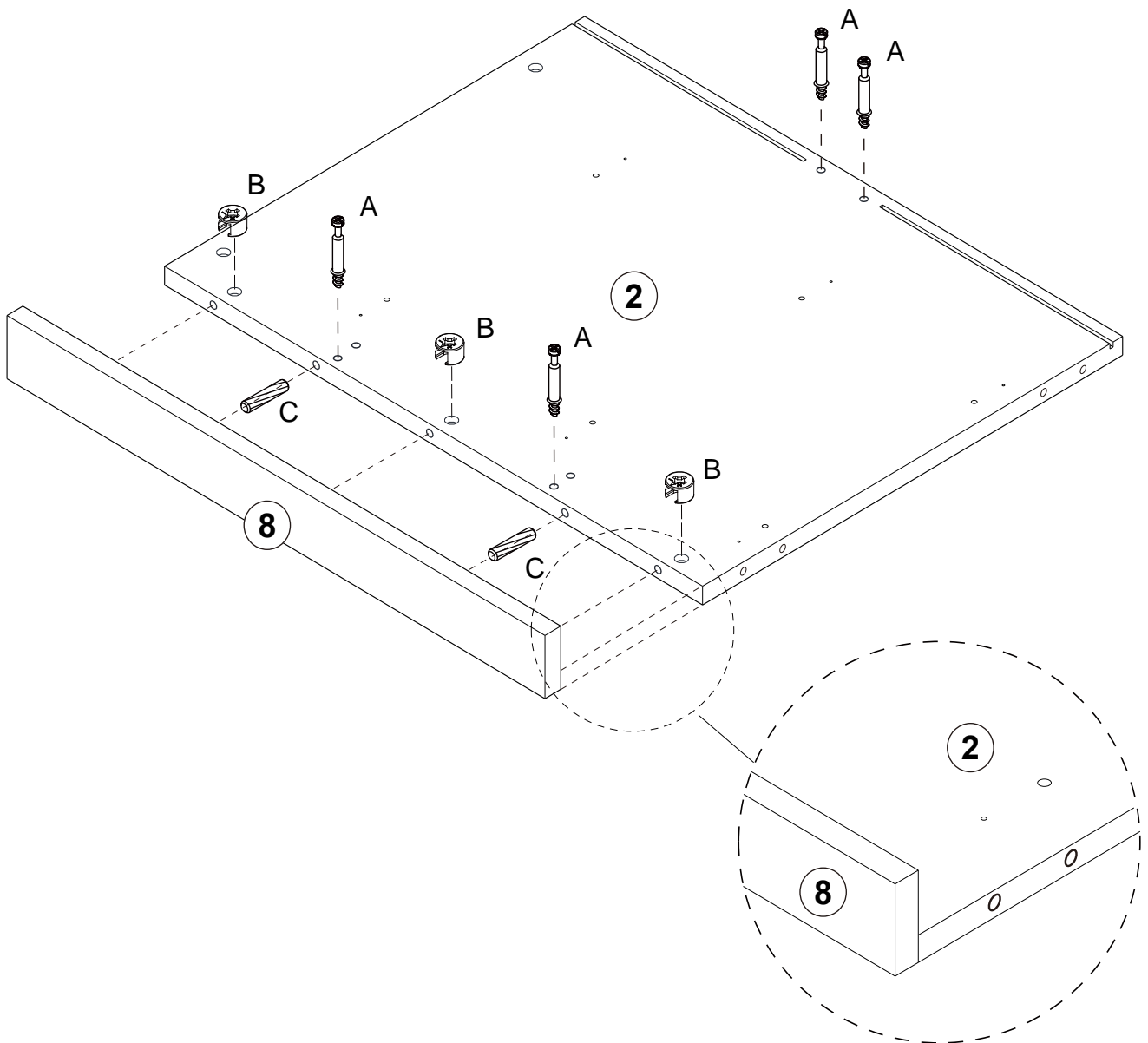


ASSEMBLY STEPS

A x 4		B x 3		C x 2	
-------	---	-------	---	-------	--

STEP 2

1. Screw the Cam Bolt (A) into the assembled Panel (2).
2. Use Wood Dowel (C) to secure Panel (2) to Panel (8), and then tighten with Cam Lock (B).



ASSEMBLY STEPS

E x 6

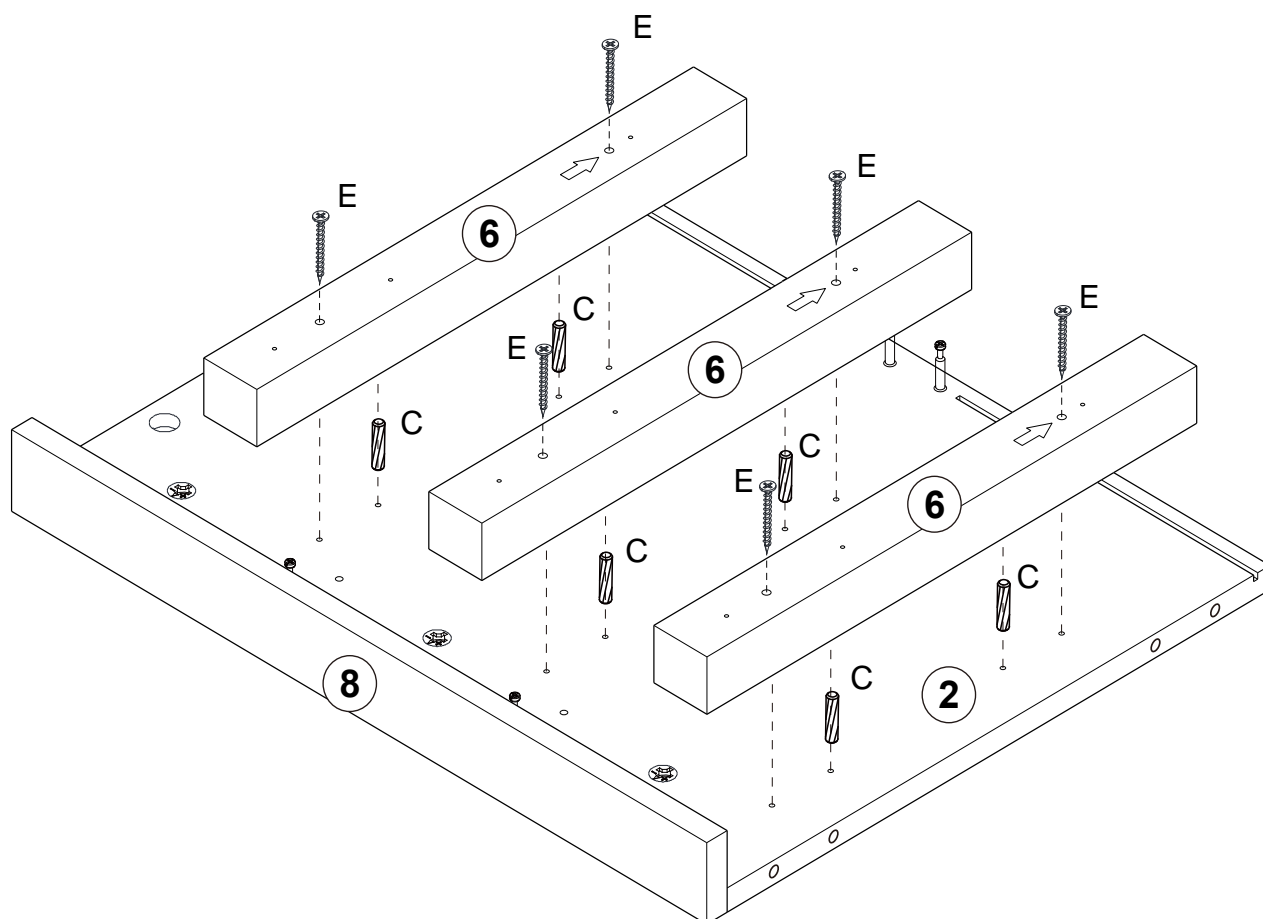


C x 6



STEP 3

Install the Panel (2) with Wood Dowel (C) and Connect the Panels (2,6) with Screw (E).



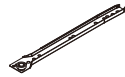
ASSEMBLY STEPS

D x 9



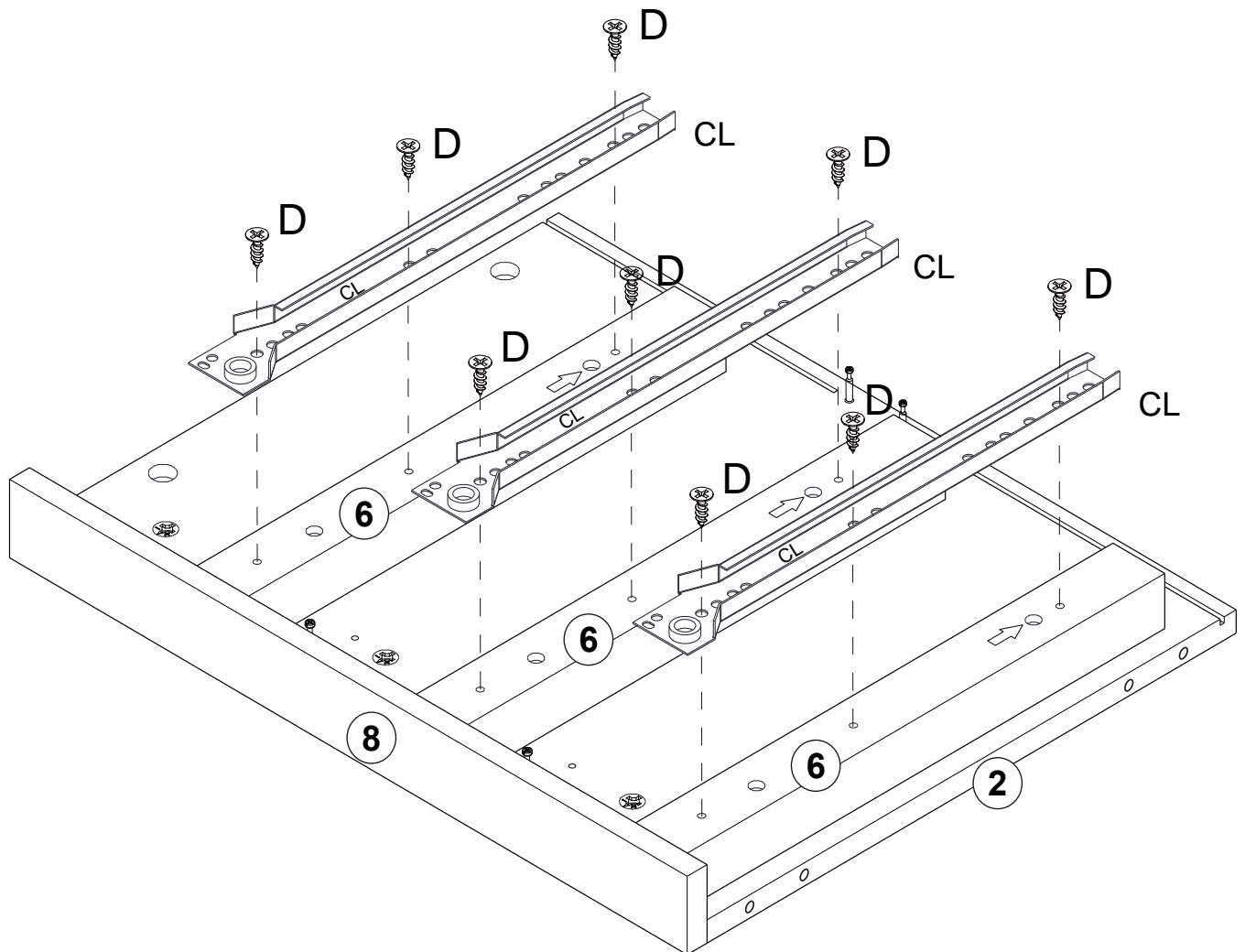
M3x12

CL x 3



STEP 4

Align the holes on the drawer Slide (CL) with the holes on the assembled Panel (6), and then fix the drawer slide on Panel (6) with Screw (D).

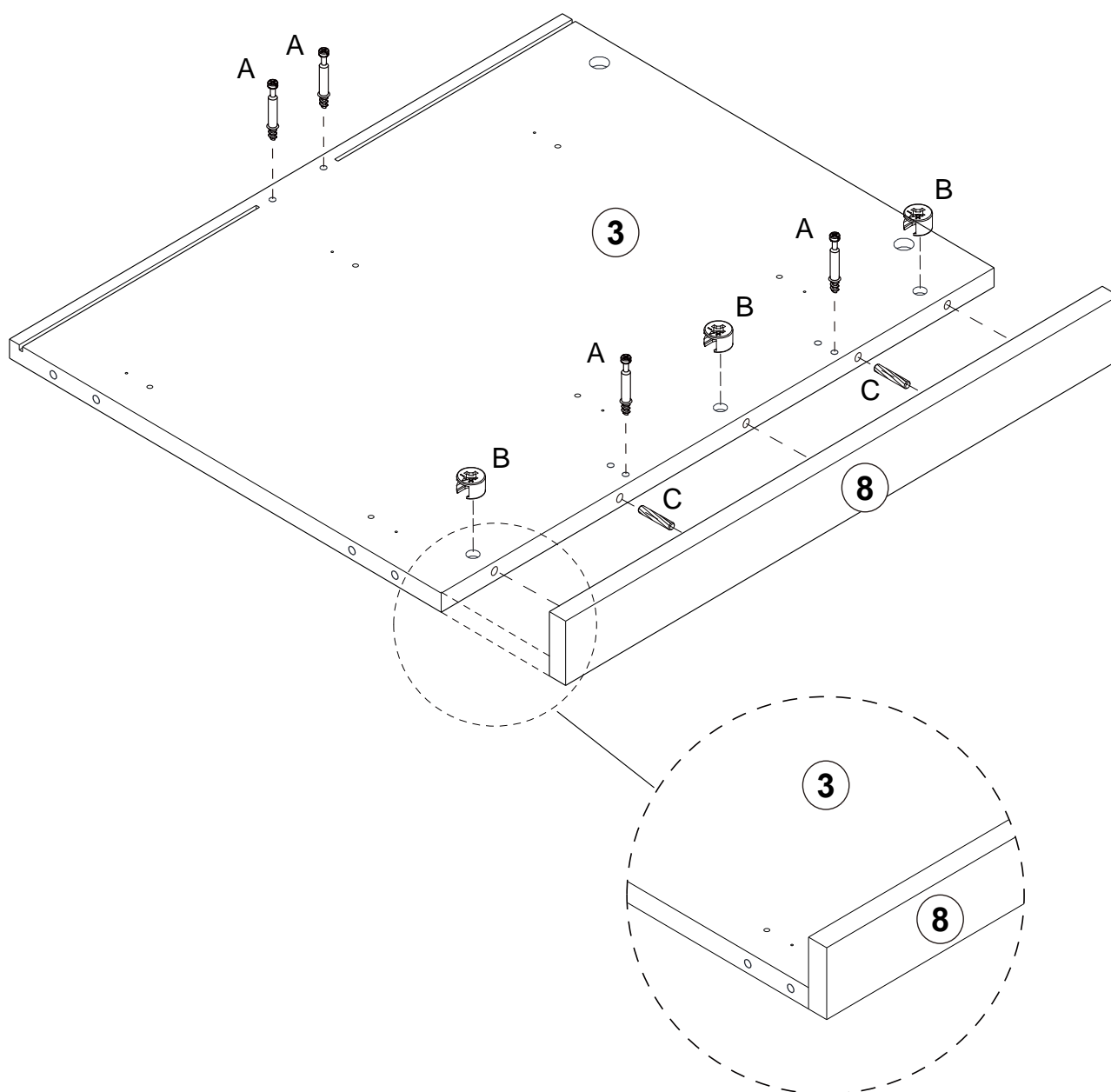


ASSEMBLY STEPS

A x 4		B x 3		C x 2	
-------	---	-------	---	-------	--

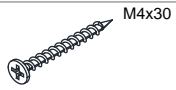
STEP 5

1. Screw the Cam Bolt (A) into the assembled Panel (3).
2. Use Wood Dowel (C) to secure Panel (3) to Panel (8), and then tighten with Cam Lock (B).

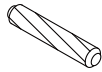


ASSEMBLY STEPS

E x 6

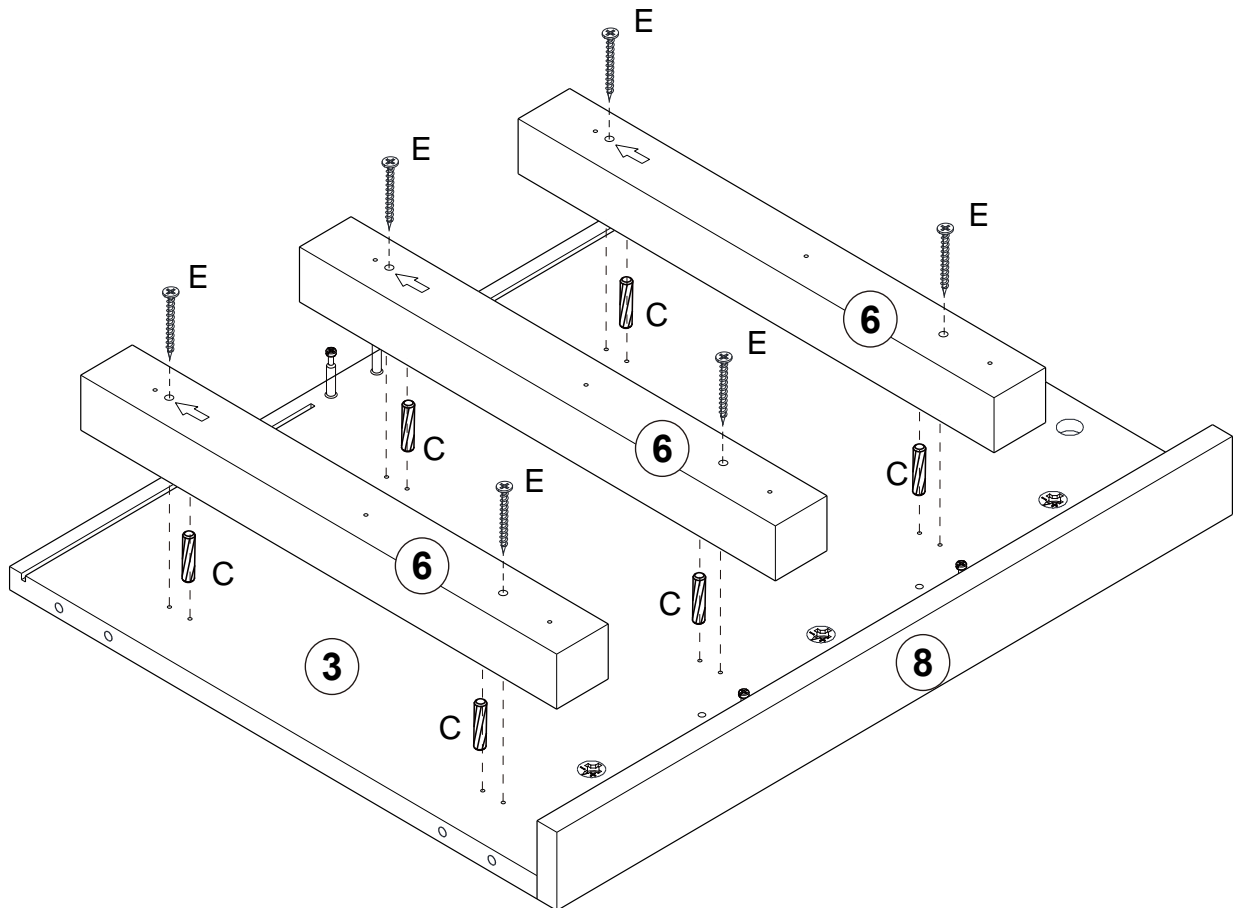


C x 6



STEP 6

Install the Panel (3) with Wood Dowel (C) and Connect the Panels (3,6) with Screw (E).



ASSEMBLY STEPS

D x 9



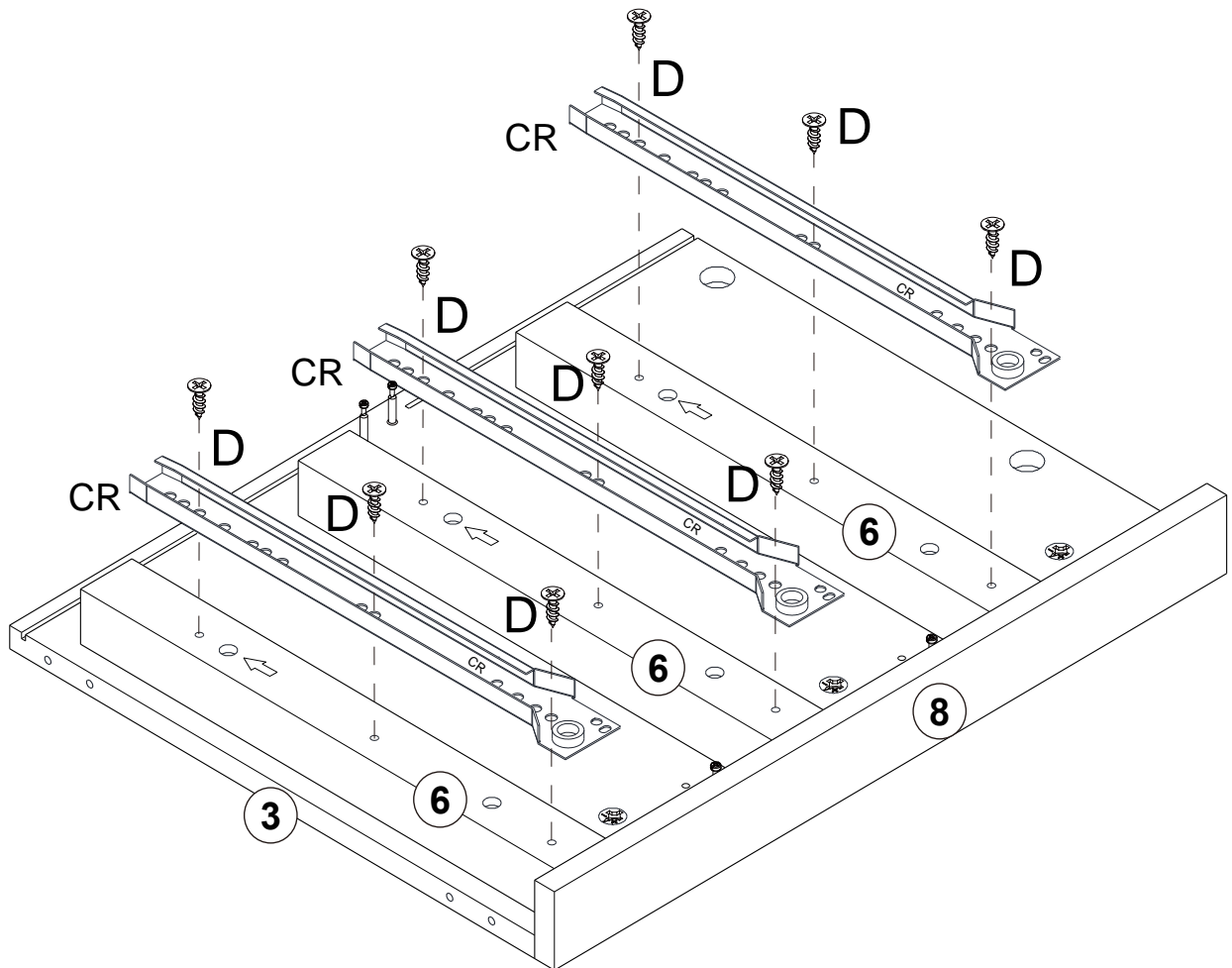
M3x12

CR x 3



STEP 7

Align the holes on the drawer Slide (CR) with the holes on the assembled Panel (6), and then fix the drawer slide on Panel (6) with Screw (D).



ASSEMBLY STEPS

B x 4

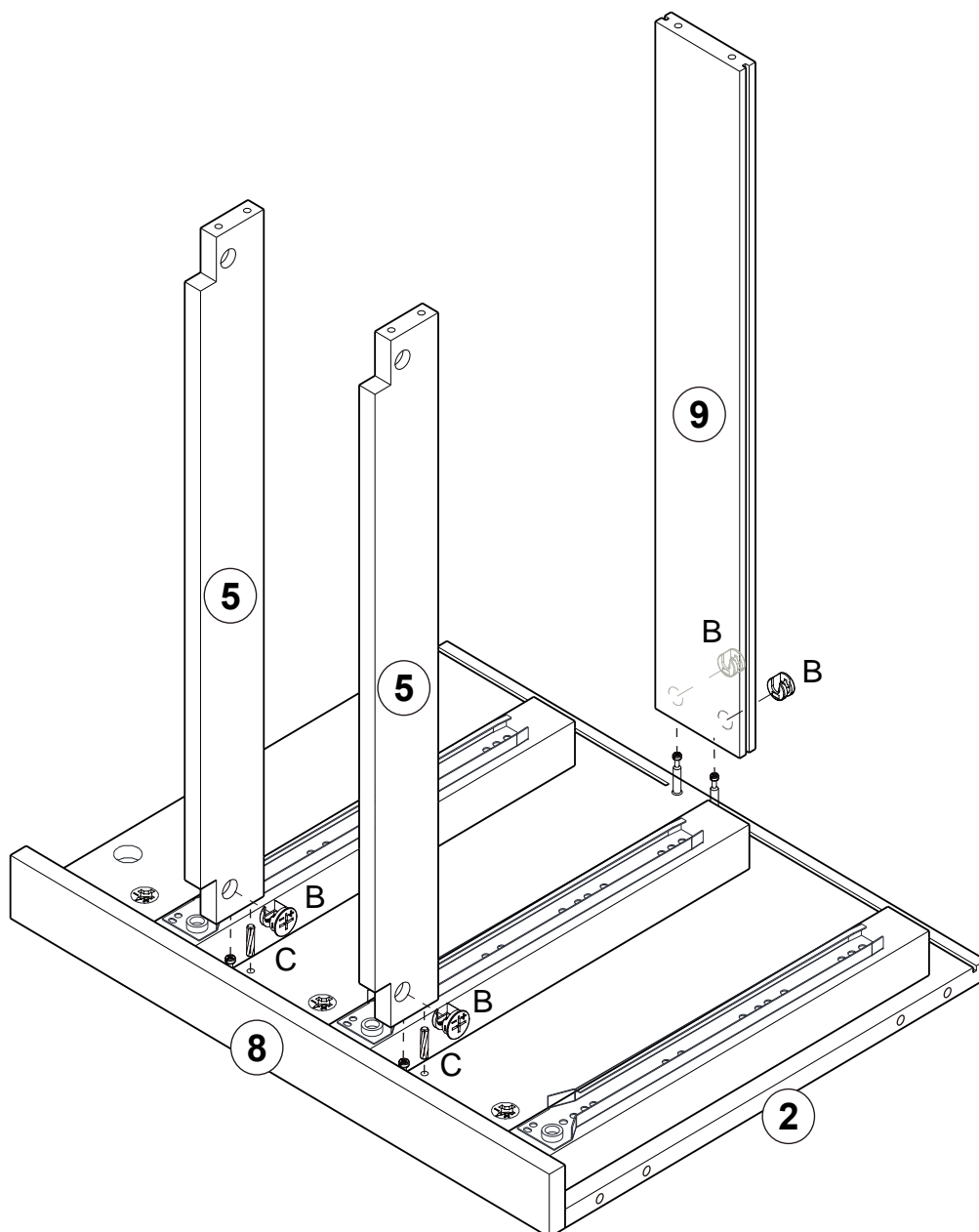


C x 2



STEP 8

Use Wood Dowel (C) to secure Panel (2) Panel (5) and connect the Panels (5,9) with Cam Lock (B).



ASSEMBLY STEPS

B x 4

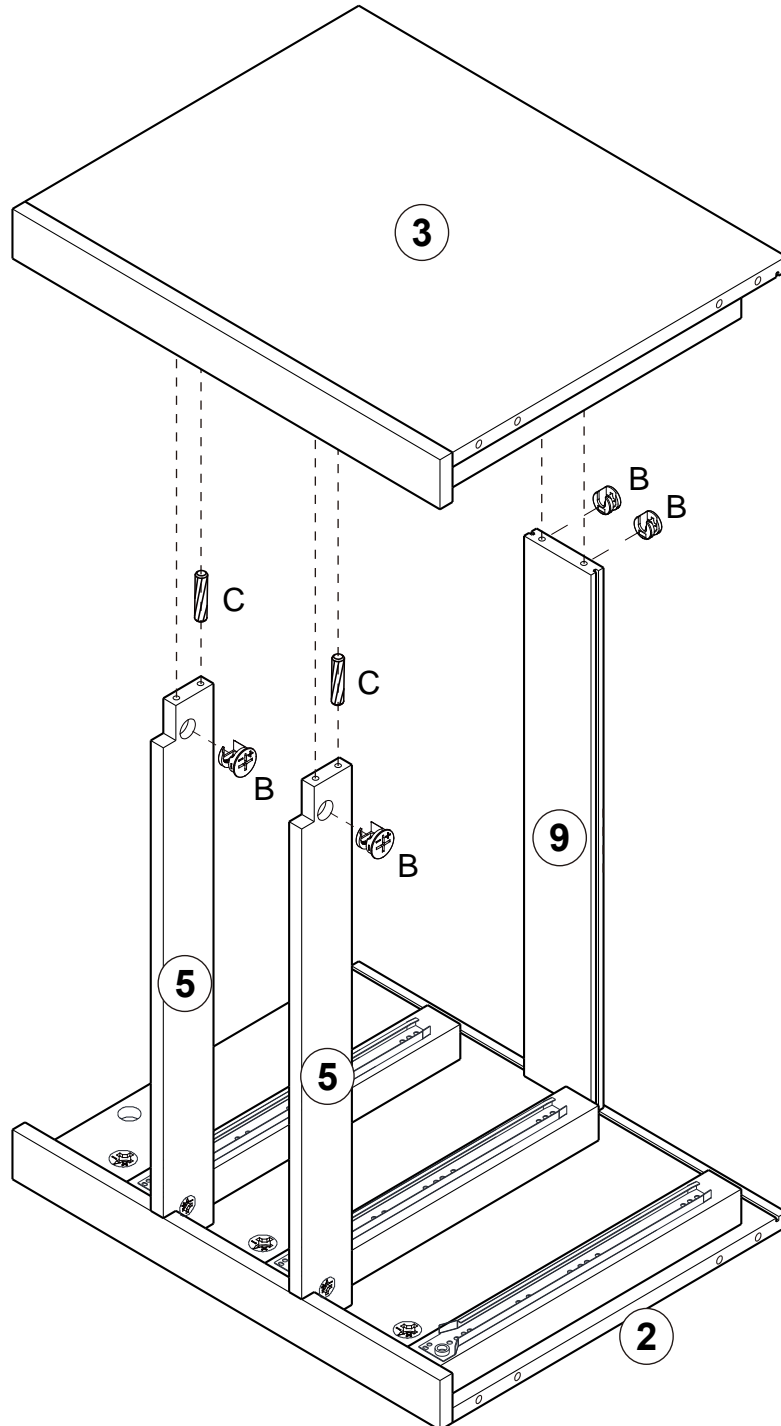


C x 2



STEP 9

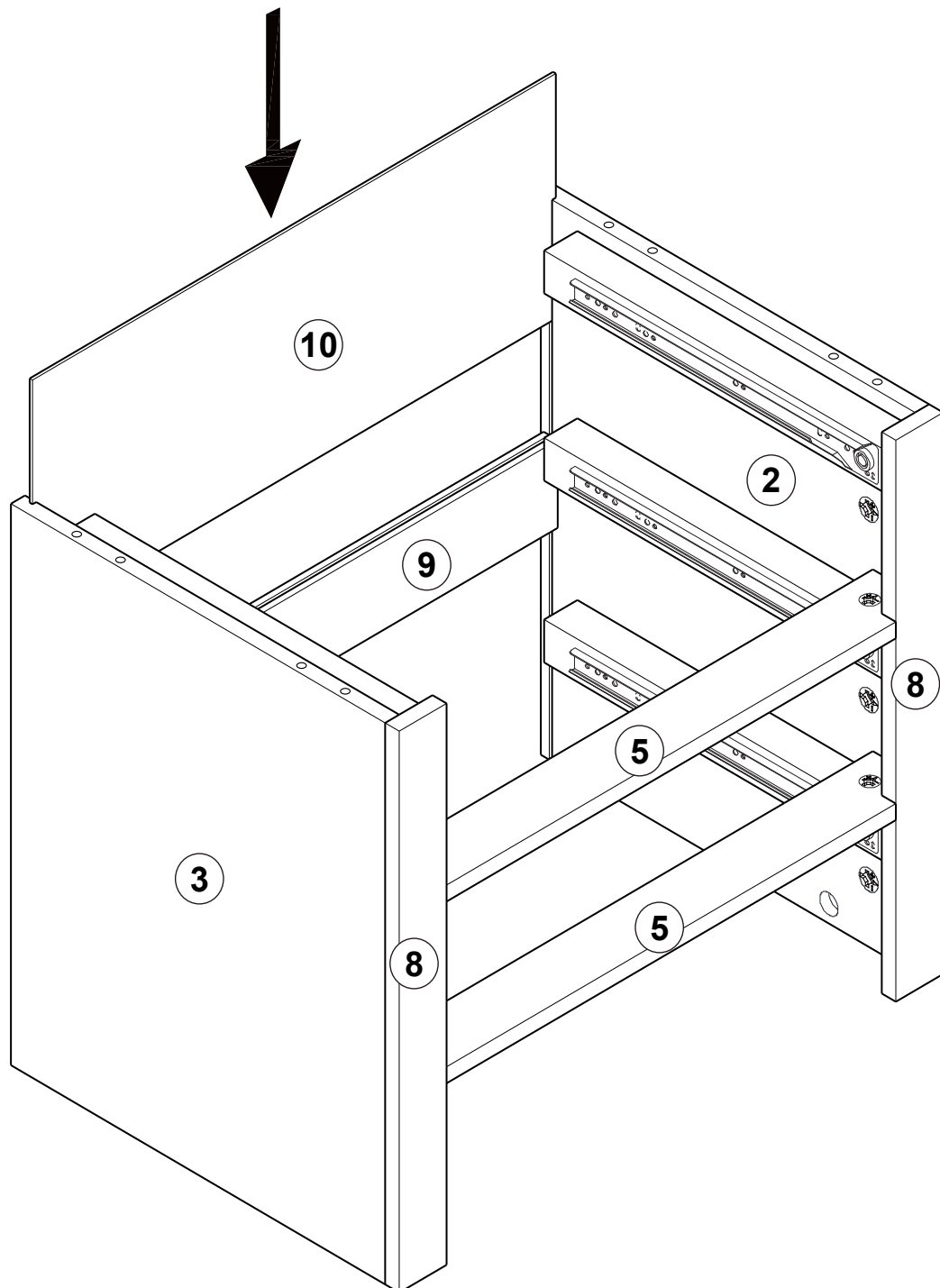
Use Wood Dowel (C) to secure Panel (3) Panel (5) and connect the Panels (5,9) with Cam Lock (B).



ASSEMBLY STEPS

STEP 10

Insert the Panel (10) along the groove.



ASSEMBLY STEPS

A x 4



C x 4

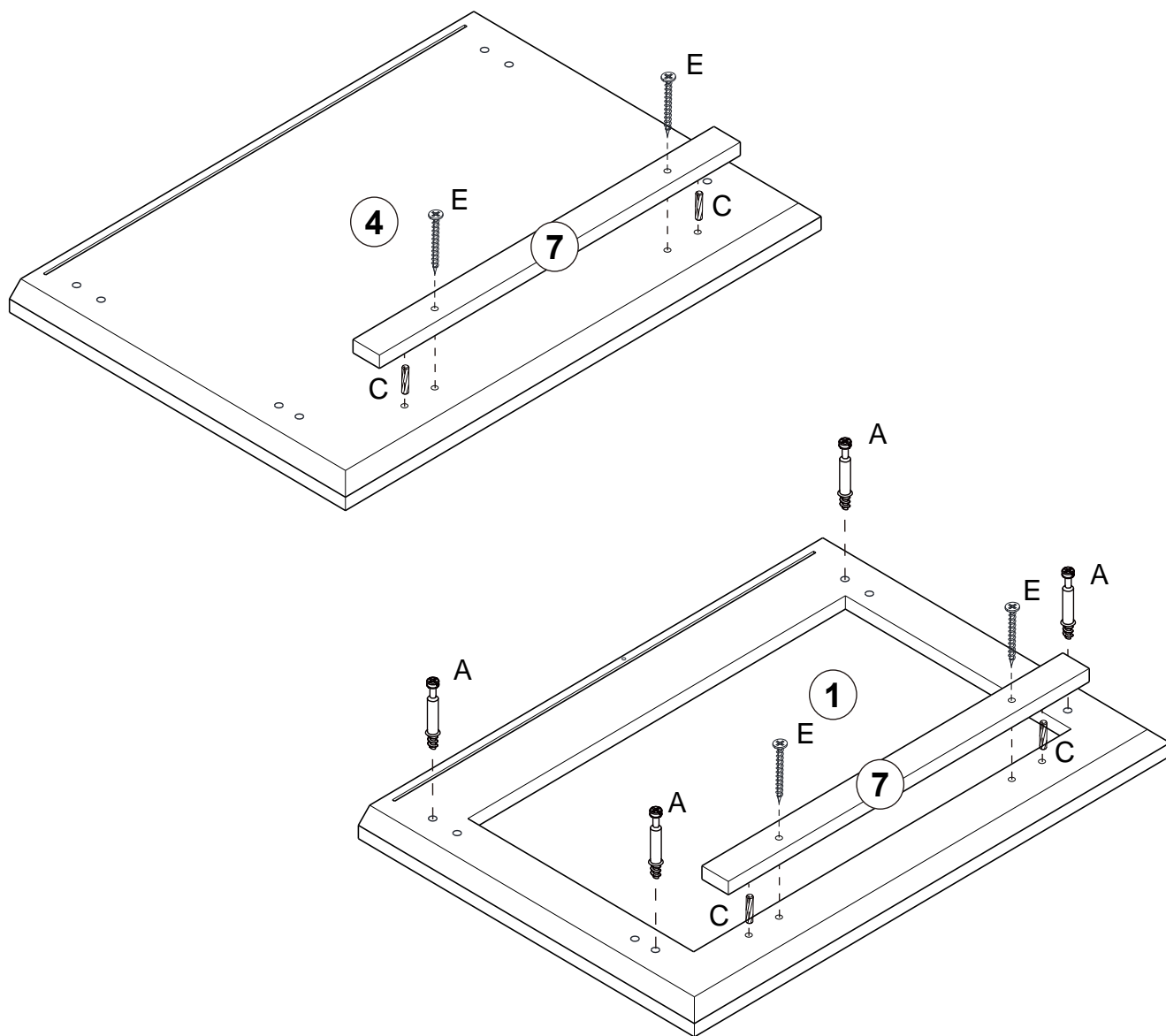


E x 4



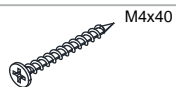
STEP 11

1. Screw the Cam Bolt (A) into the Panel (1).
2. Install the Panel (4,1) with Wood Dowel (C) and Connect the Panels (7) with Screw (E).

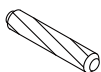


ASSEMBLY STEPS

F x 4

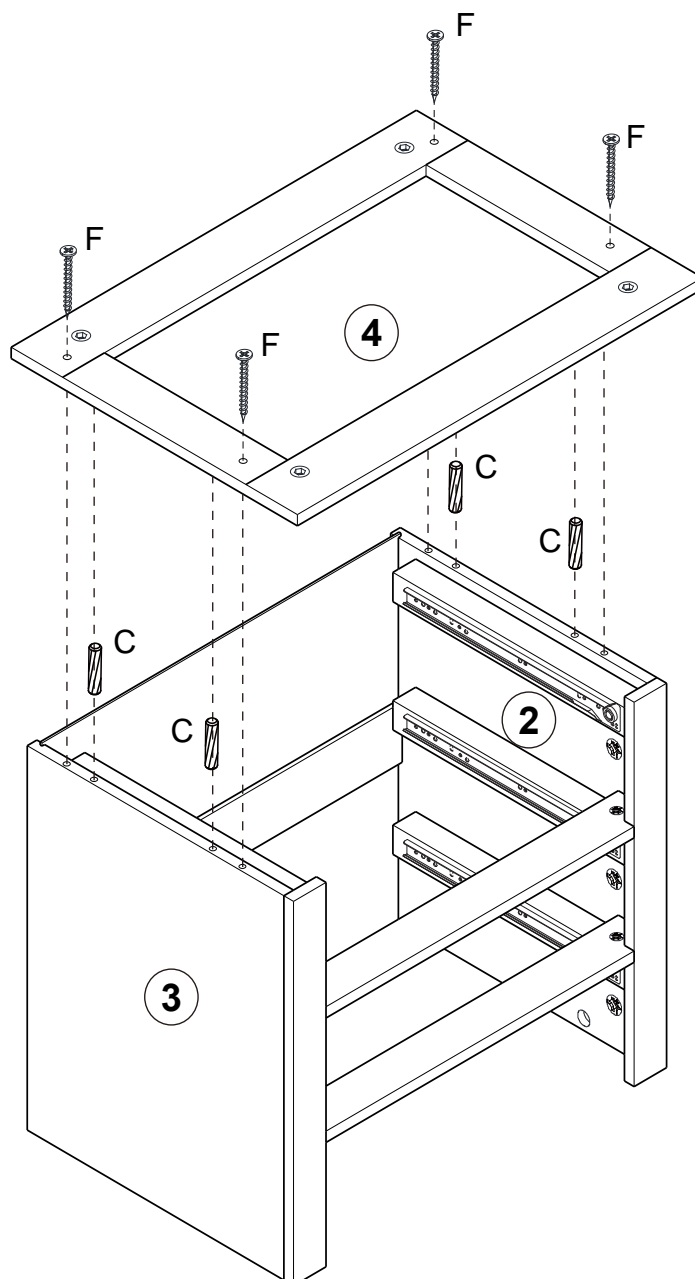


C x 4



STEP 12

Install the Panel (4) with Wood Dowel (C) and Connect the Panels (2,3) with Screw (E).



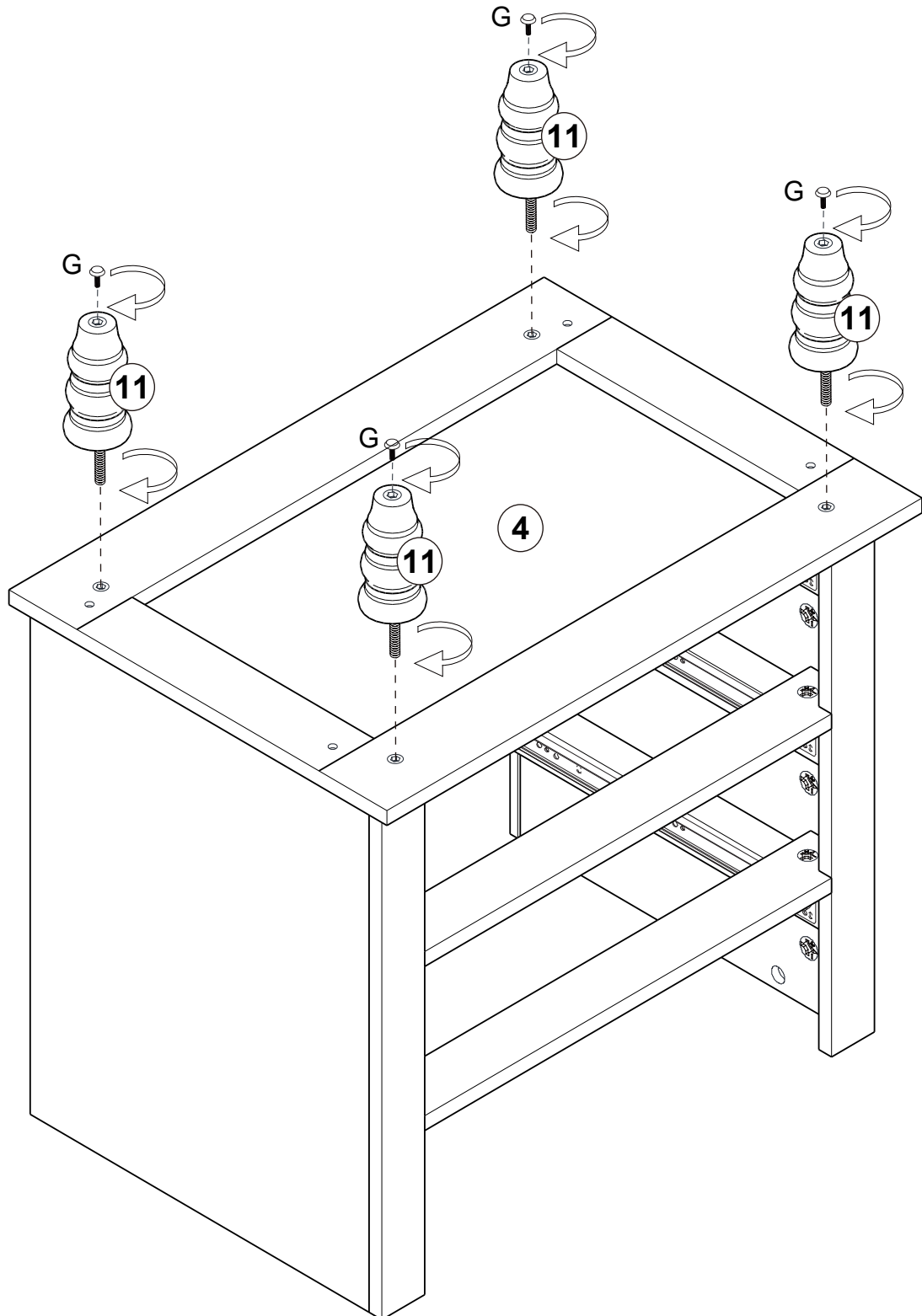
ASSEMBLY STEPS

G x 4



STEP 13

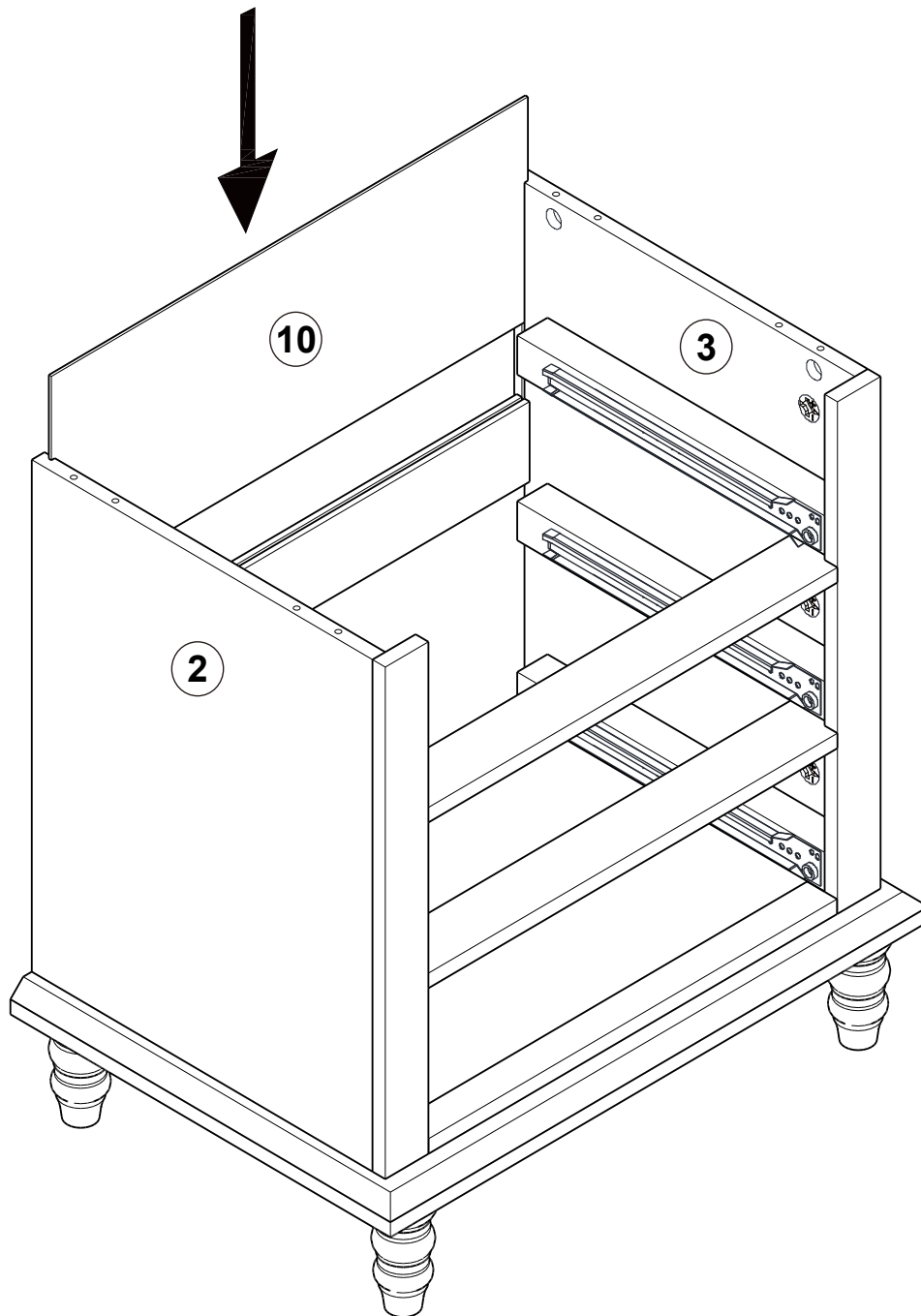
Secure the Adjustable Foot Pad (G) to Leg 11, Finally screw Panel 11 to the Panel 4.



ASSEMBLY STEPS

STEP 14

Insert the Panel (10) along the groove.



ASSEMBLY STEPS

B x 4

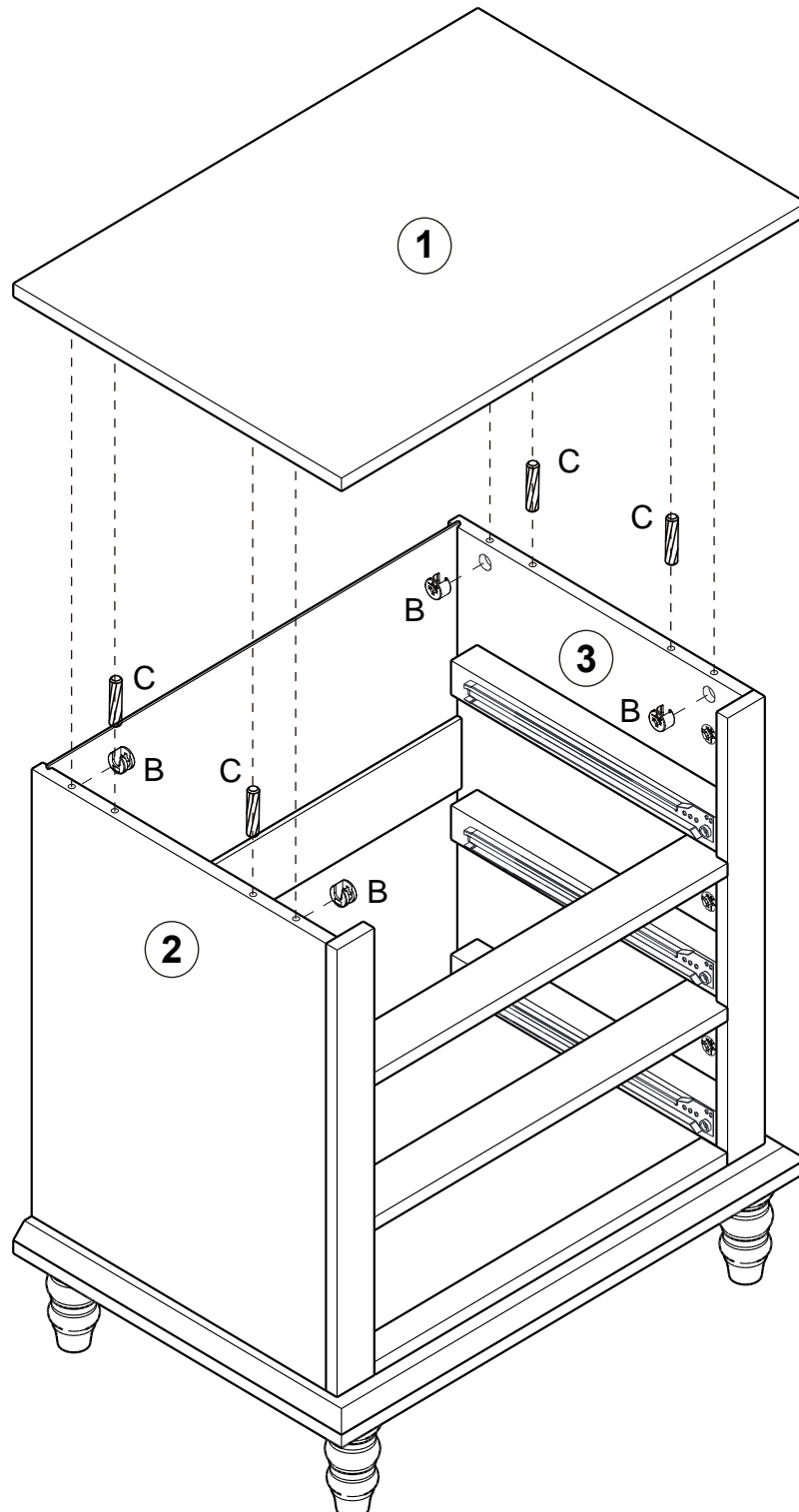


C x 4



STEP 15

Install the Panel (1) with Wood Dowel (C) and Cam Lock (B).



ASSEMBLY STEPS

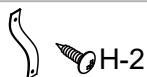
J x 8

J-1



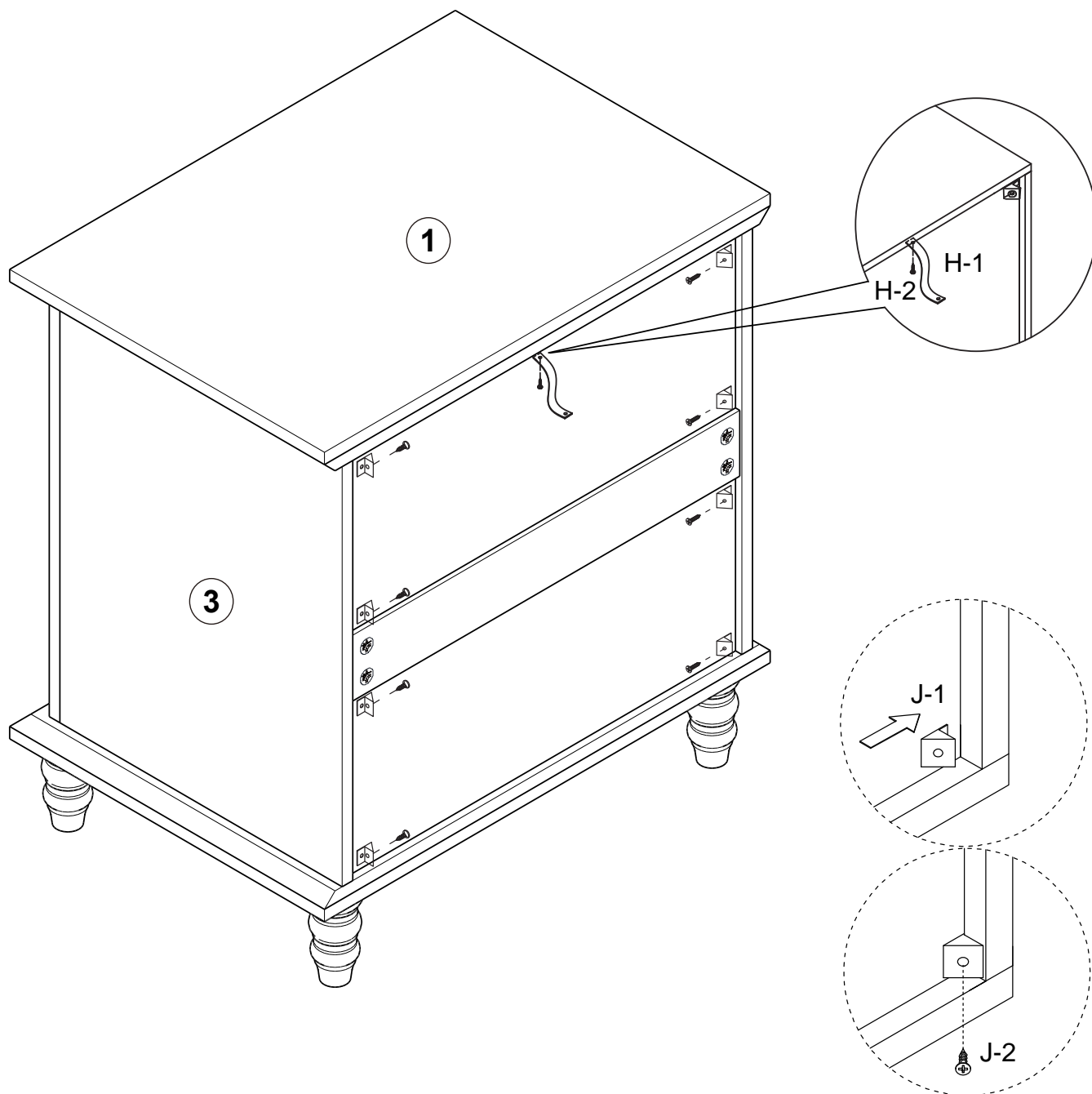
H x 1

H-1



STEP 16

1. Insert the Mending Wedge (J-1) into the gap in the back Panel and fix it with Screw (J-2).
2. Use Screw (H-2) to secure the Anti-Tipping Tape (H-1) to Panel (1).



ASSEMBLY STEPS

A x12

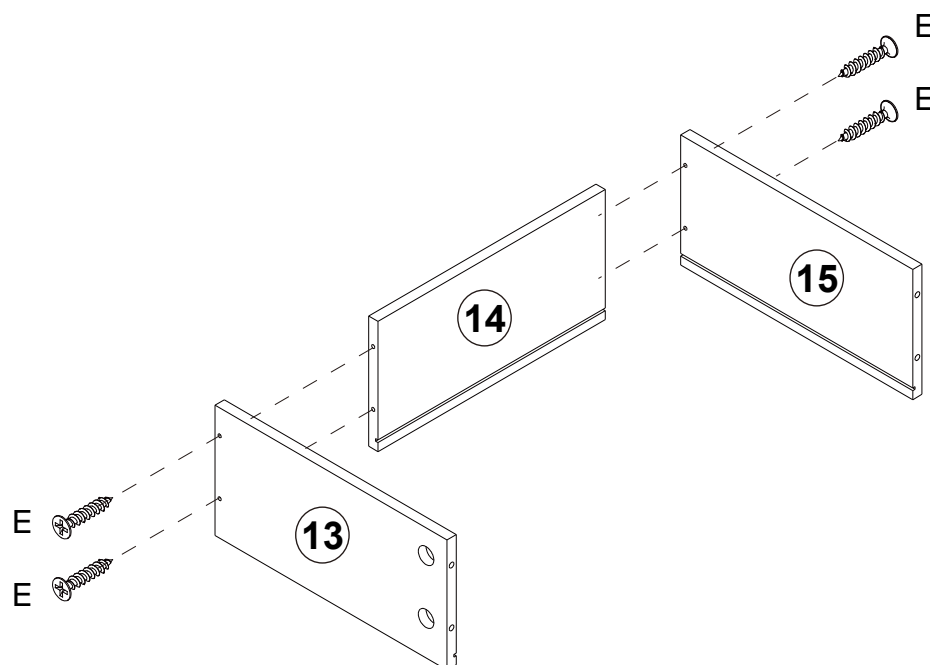
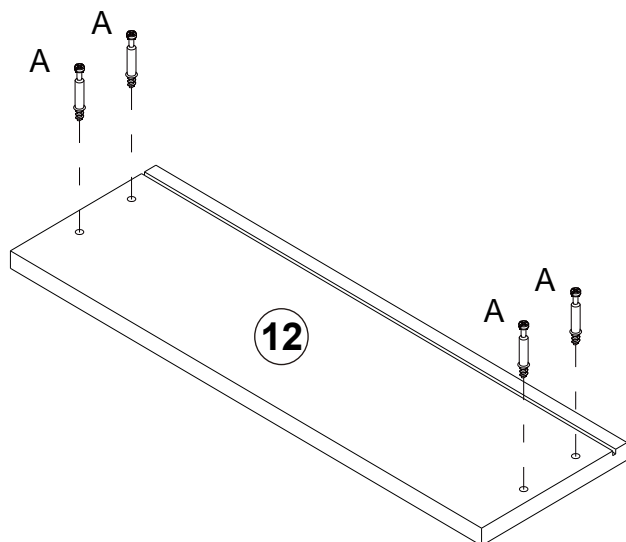


E x12



STEP 17

1. Screw the Cam Bolt (A) into the Panel (12).
2. Connect the Panels (13,14,15) with Screw (E).



x3

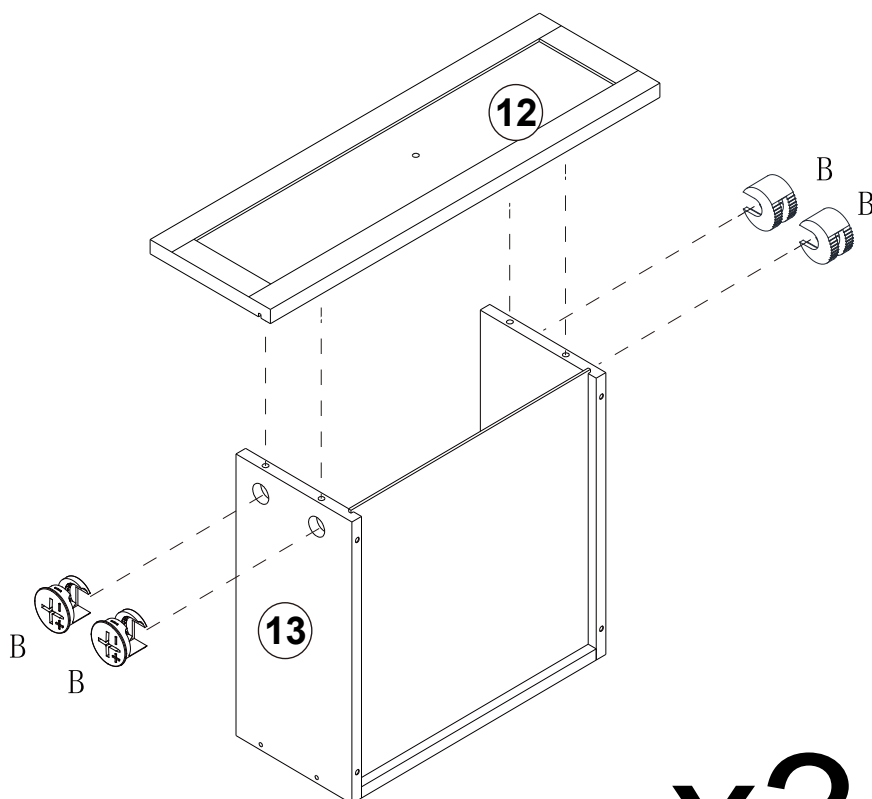
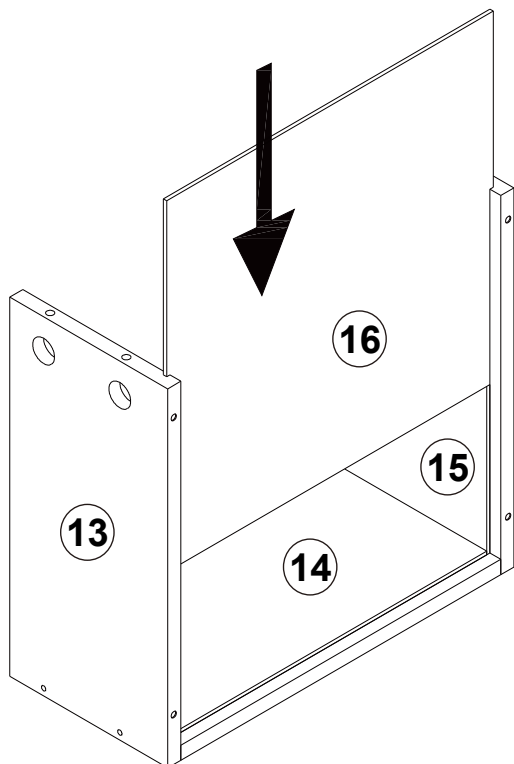
ASSEMBLY STEPS

B x12



STEP 18

1. Insert the Panel (16) along the groove.
2. Install the Panel (12) with Cam Lock (B).



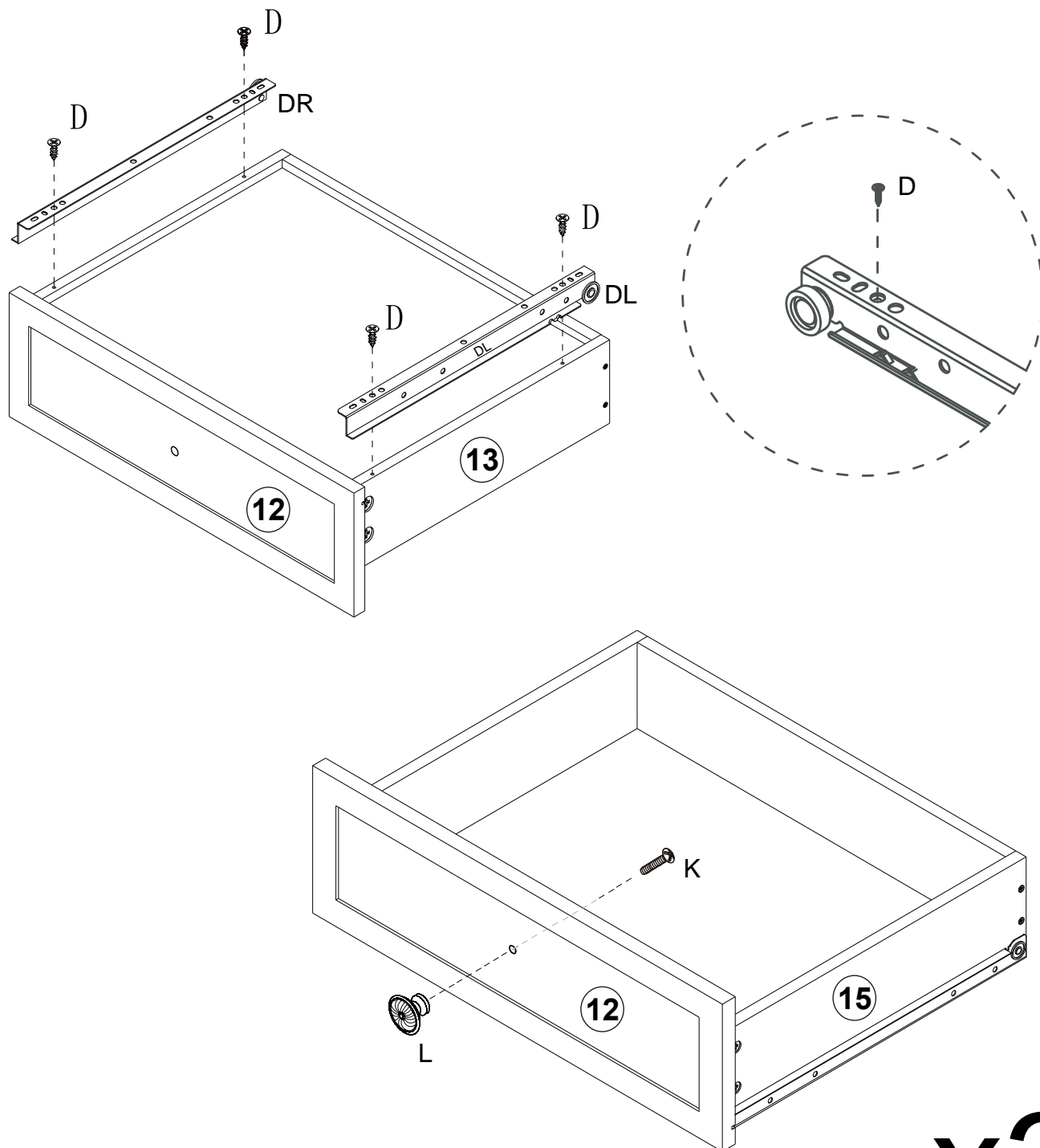
x3

ASSEMBLY STEPS

DL x 3		DR x 3		D x 12		M3x12	L x 3		K x 3		M4x22
--------	---	--------	---	--------	---	-------	-------	---	-------	---	-------

STEP 19

1. Align Slide Rail (DR) with Panel (15) and Rail (DL) with Panel (13), then secure with Screw (D).
2. Attach the Handle (L) to the Panel (12) with handle Screw (K).

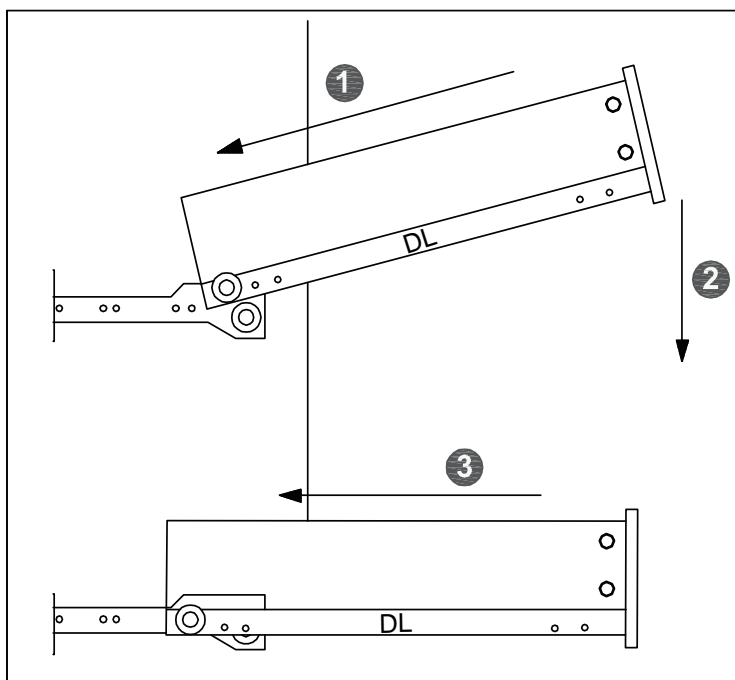
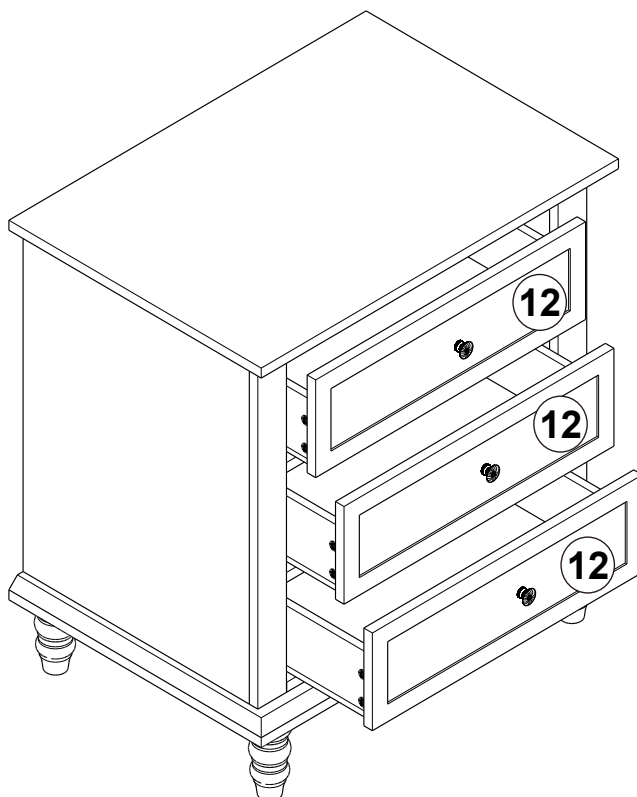


x3

ASSEMBLY STEPS

STEP 20

Align the slides on the drawer and cabinet, then push the drawer into the cabinet.



ASSEMBLY STEPS

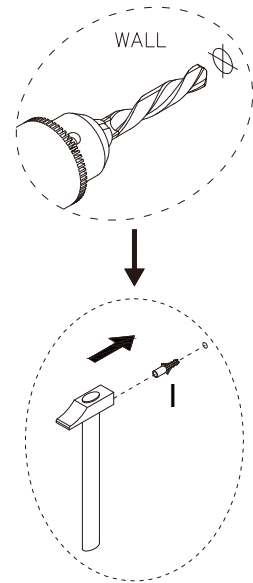
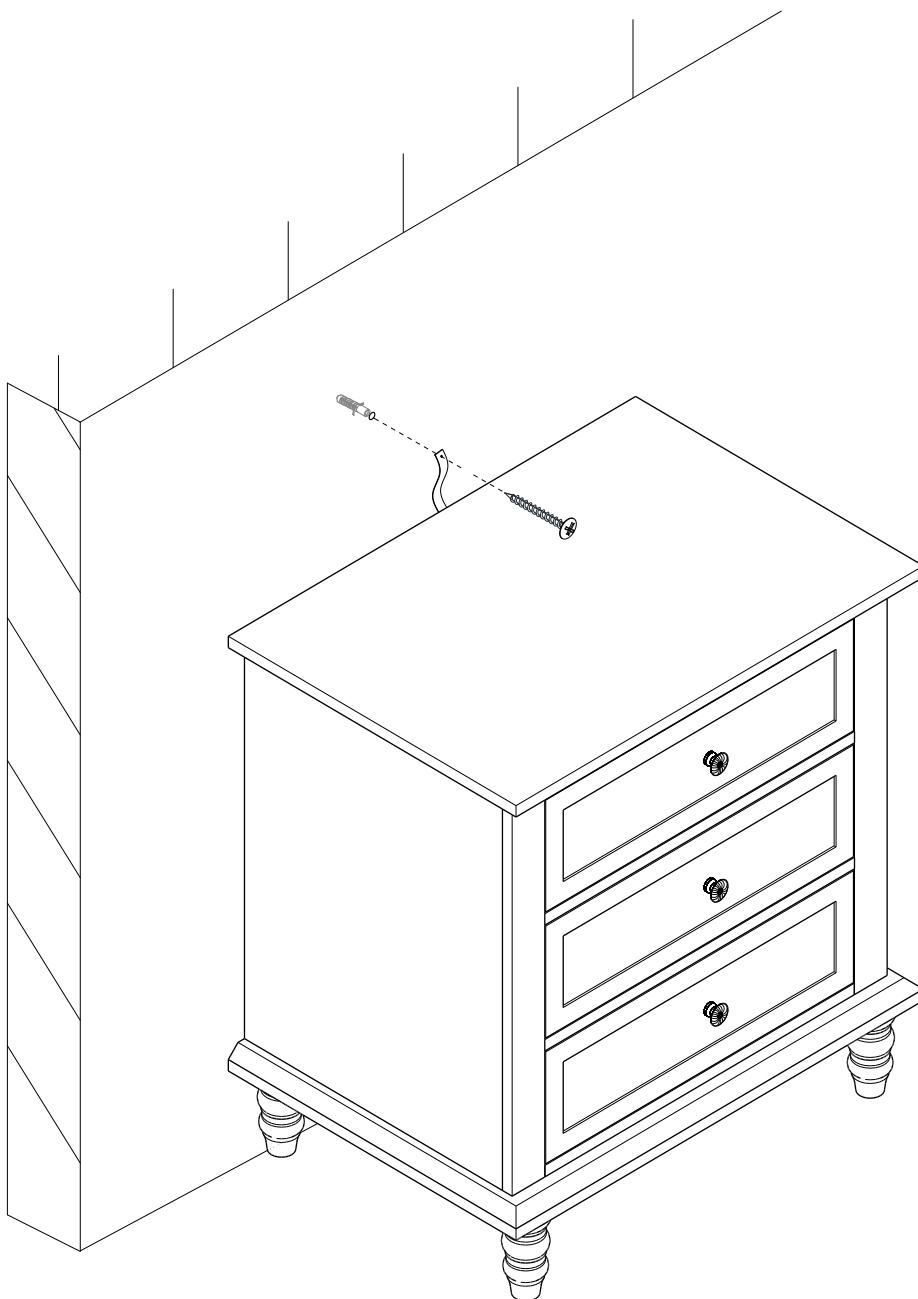
I x 1



M4x40

STEP 21

1. Drill two holes in the wall and insert the plastic anchor (I) into the holes.
2. Use the Screw (I) to pass through the Anti-Tipping Tape (N-1) and lock the cabinet onto the wall.



Supplementary Instructions for Safe Use

English

WARNING



Children have died from furniture tipover. To reduce the risk of furniture tipover:

- ALWAYS install tipover restraint provided.
- NEVER put a TV on this product.
- NEVER allow children to stand, climb or hang on drawers, doors, or shelves.
- NEVER open more than one drawer at a time.
- Place heaviest items in the lowest drawers.
- Do not defeat or remove the drawer interlock system.

This is a permanent label.

Do not remove!

French

ATTENTION



Des enfants sont morts du basculement des meubles. Pour réduire le risque de basculement des meubles:

- TOUJOURS installer la retenue de basculement fournie.
- NE JAMAIS mettre de téléviseur sur ce produit.
- NE JAMAIS permettre aux enfants de se tenir debout, de grimper, ou de s'accrocher à des tiroirs, des portes ou des étagères.
- N'ouvrez JAMAIS plus d'un tiroir à la fois.
- Placez les objets les plus lourds dans les tiroirs les plus bas.
- Ne désactivez pas et ne retirez pas le système de verrouillage du tiroir.

Ceci est une étiquette permanente.

Ne pas enlever!

German

WARNUNG



Kinder sind an einem Möbelkipp gestorben. So verringern Sie das Risiko eines Umkippen von Möbeln:

- Installieren Sie **IMMER** die mitgelieferte Kipprückhaltevorrichtung.
- Stellen Sie **NIEMALS** einen Fernseher an dieses Produkt.
- Lassen Sie Kinder **NIEMALS** an Schubladen, Türen oder Regalen stehen klettern oder hängen.
- Öffnen Sie **NIEMALS** mehr als eine Schublade gleichzeitig.
- Legen Sie schwerste Gegenstände in die untersten Schubladen.
- Besiegen oder entfernen Sie das Schubladenverriegelungssystem nicht.

Dies ist ein dauerhaftes Etikett.

Nicht entfernen!