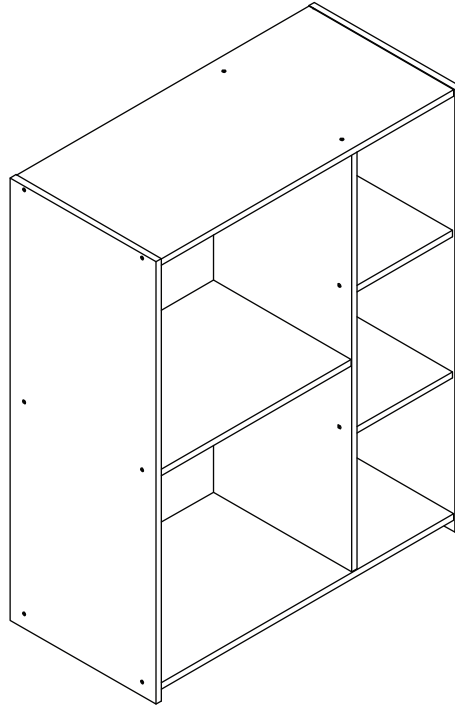


# ASSEMBLY INSTRUCTIONS

## BOOKCASE

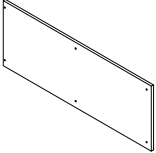
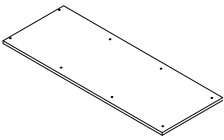
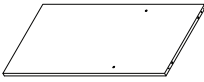

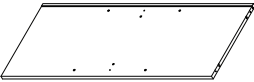
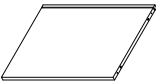
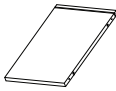
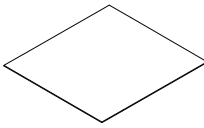
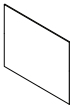



### NOTE TO CUSTOMERS:

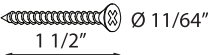
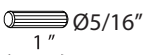
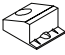
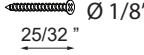


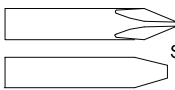

- For ease and speed of assembly we recommend that before you commence each step of the assembly that you identify all the parts required to complete that step.
- We recommend that where possible you allow sufficient space to assemble the item as close as possible to the place where it will be once assembled.
- For the protection of your furniture we recommend that the product is placed on a dry, soft, smooth and clean surfaces during assembly to prevent any damage. Avoid damp and direct sunlight.
- During assembly do not over tighten the screws or bolts, as this may damage the product.
- Please ensure you retain all the product packaging until the item is completely assembled.
- Periodically check all fitting and re-tighten as necessary.
- Never allow any liquids to remain on your furniture as absorption can cause the wood to warp or finish to de-laminate.
- It is recommended that this item should be assembled by two adults.

# ASSEMBLY INSTRUCTIONS

## PARTS IDENTIFICATION

<p>P1 Quantity: 1</p>  <p>Side Panel Left</p>	<p>P2 Quantity: 1</p>  <p>Side Panel Right</p>	<p>P3 Quantity: 1</p>  <p>Top Panel</p>	<p>P4 Quantity: 1</p>  <p>Base Panel</p>	<p>P5 Quantity: 1</p>  <p>Divider Panel</p>
<p>P6 Quantity: 1</p>  <p>Large Shelf</p>	<p>P7 Quantity: 2</p>  <p>Small Shelf</p>	<p>P8 Quantity: 2</p>  <p>Back Panel Large</p>	<p>P9 Quantity: 3</p>  <p>Back Panel Small</p>	<p>P10 Quantity: 1</p>  <p>Base Support Bar</p>

## HARDWARE LIST

<p>H1 Screw #9 x 1 1/2"</p>  <p>Quantity: 24 pcs</p>	<p>H2 Wooden Dowel M8 x 25</p>  <p>Quantity: 27 pcs</p>	<p>H3 Corner Wedge</p>  <p>Quantity: 8 pcs</p>	<p>H4 Screw m3 x 20mm</p>  <p>Quantity: 8 pcs</p>	<p>H5 Leg Stud</p>  <p>Quantity: 5 pcs</p>
<p>H6 Sticker</p>  <p>Quantity: 22 pcs</p>	<p><b>TOOLS REQUIRED</b></p>  <p>SCREW DRIVER</p>  <p>MALLET</p>		<p><b>STEP 5</b></p> 