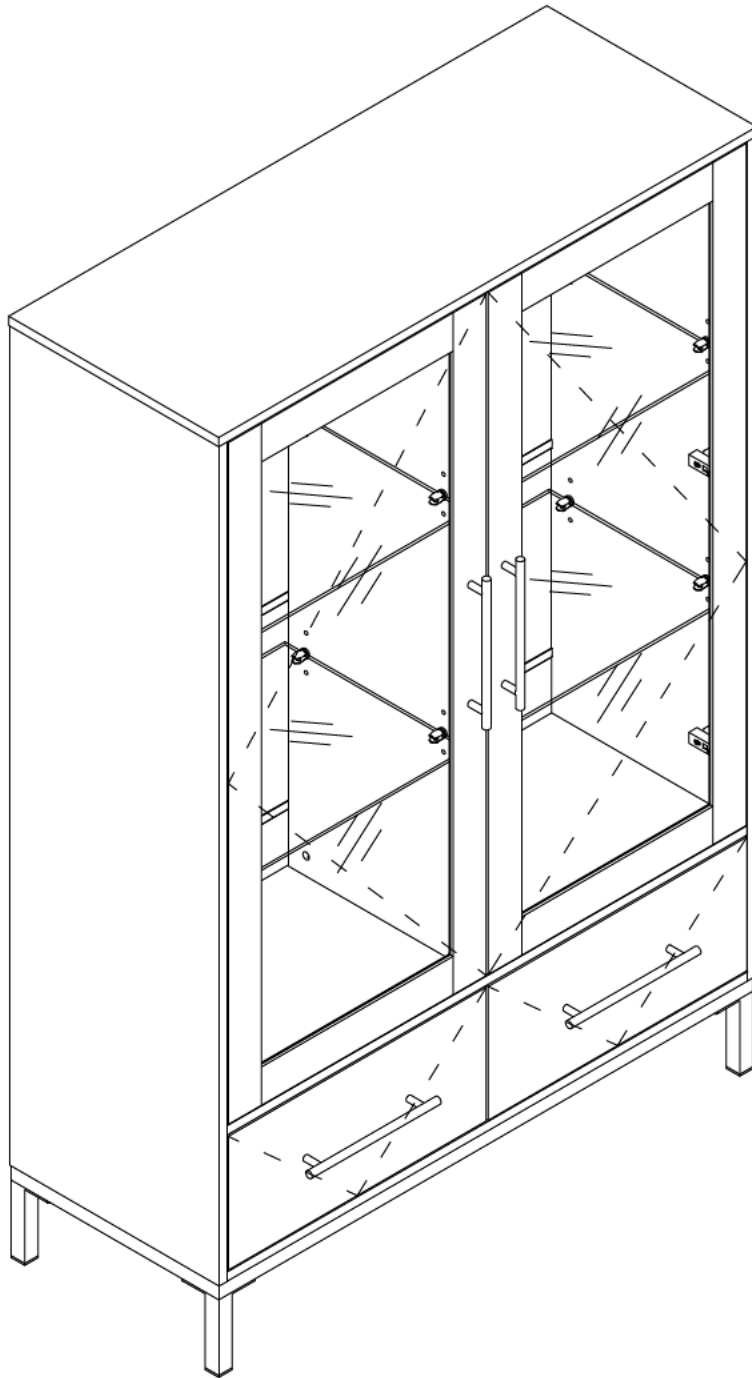


ASSEMBLY INSTRUCTION



1. Thank you for choosing *our products*.

2. Return Policy








DO NOT RETURN TO THE STORE! Skip the process of returning your product and contact us directly for a replacement

If you find that parts of your order are missing or damaged, we will gladly ship any needed replacement parts free of charge.

If your product's quality does not meet your expectations or you have found any sort of defect, please contact our customer service department and let us know the details of your order and any issues encountered, we will try our best to provide you with a solution. Feel free to also directly contact our manufacturer concerning needed replacement parts and they will be happy to help provide you with a solution or answer any questions you may have.

Recommendations Before Beginning Assembly

-  • Read instructions, cover to cover
-  • Have 2-4 adults on hand for assembly depending on product size
-  • Do not assemble directly on flooring or carpet
-  • Assemble on a clean non-marring surface (example: packing foam)
-  • Save all packaging until finished

3. Assembly Notice:

- If you encounter any problems during assembly and find that you cannot continue, rest assured we will help you solve the situation as soon as possible. Simply keep all of the parts of the product stored in a safe place and contact us immediately so we may assist you further.
- Once you have opened your package, remove all inner hardware packages and take the parts out. One by one, Place the parts out neatly in front of you, then refer to the instructions to ensure no parts are missing. If any pieces are found missing, please carefully look in the box first, as the hardware packaging might have torn making the hardware spill in the box.
- Some key parts of your product may be stored and hidden inside of other parts. Please open any zippered or hook & loop storage compartments to remove all parts. (example: cushions and legs being stored in the underside of a sofa)
- **IMPORTANT:** When setting up your product, **DO NOT INSTALL THE SCREWS ALL THE WAY IN THE BEGINNING.** Place each screw into their proper hole and use your hand to twist the screw halfway. Twist all the screws in halfway to ensure the holes will match up properly and the product is level on the ground. When everything seems fitted, then tighten the screws.

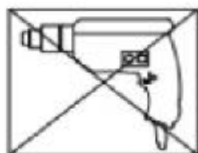
- When you have completed assembly, we suggest you have more than one person to assist you with lifting and placing the product.

Care & Maintenance

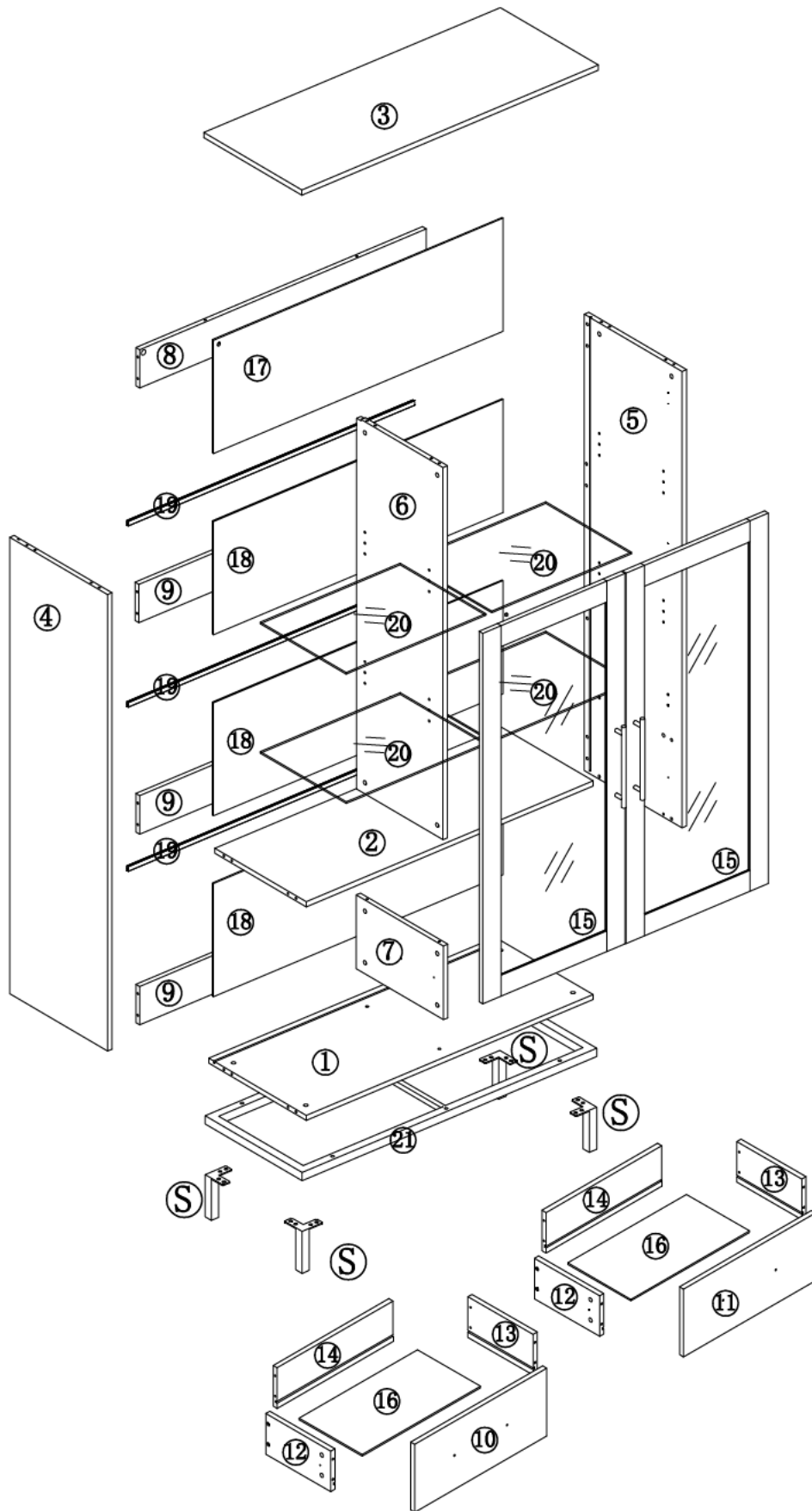
- 🚫 🔥 • Do not put hot items directly on furniture surface
- 🚫 🧴 • Do not clean furniture with harsh cleansers or polish
- 🚫 ☀️ • Do not place furniture under direct sunlight
- 🚫 🏠 • Do not place furniture near heating or cooling vents
- 🚫 ✍️ • Do not write on furniture without a padded barrier to protect the surface
- 🚫 ☁️ • Do not place furniture outside. For indoor use only
- 🚫 🏢 • Not for commercial use. For residential use only
- 🚫 🧴 • Stains may be removed with mild soap solution and damp cloth
- 🚫 🧒 • Children should not climb or jump on the furniture
- ✓ 🧻 • Dust and pick-up spills using a clean, non-colored, lint-free cloth


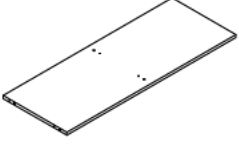
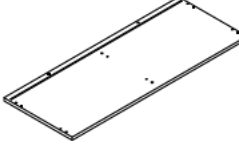
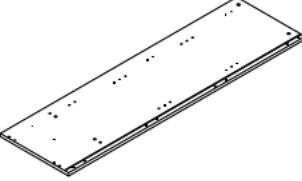
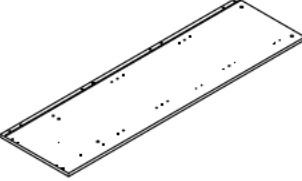
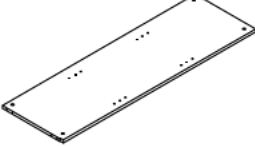

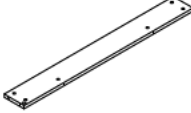

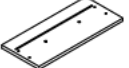
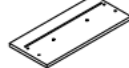





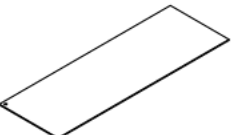
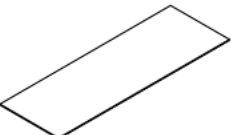

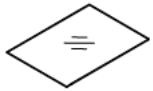
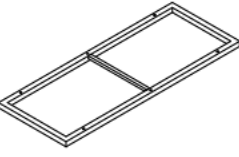
Caution

- This product contains small components. Please ensure that they are kept away from small children.

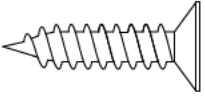
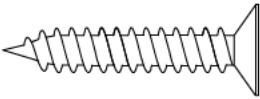
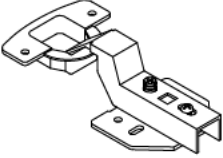


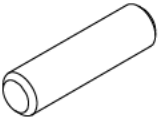

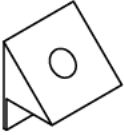
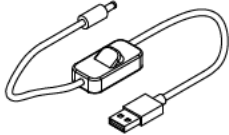
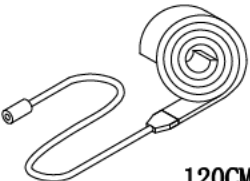
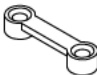
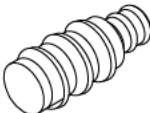

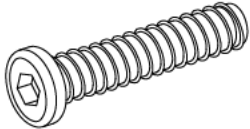
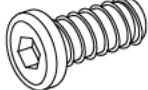

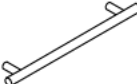

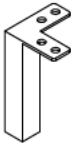



Part List



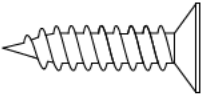
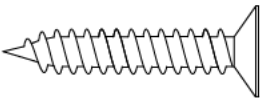
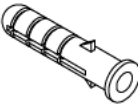
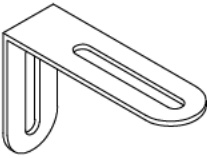
			
① x1pc	② x1pc	③ x1pc	④ x1pc
			
⑤ x1pc	⑥ x1pc	⑦ x1pc	⑧ x1pc
			
⑨ x3pcs	⑩ x1pc	⑪ x1pc	⑫ x2pcs
			
⑬ x2pcs	⑭ x2pcs	⑮ x2pcs	⑯ x2pcs
			
⑰ x1pc	⑱ x3pcs	⑲ x3pcs	⑳ x4pcs
			
㉑ x1pc			

Hardware List for

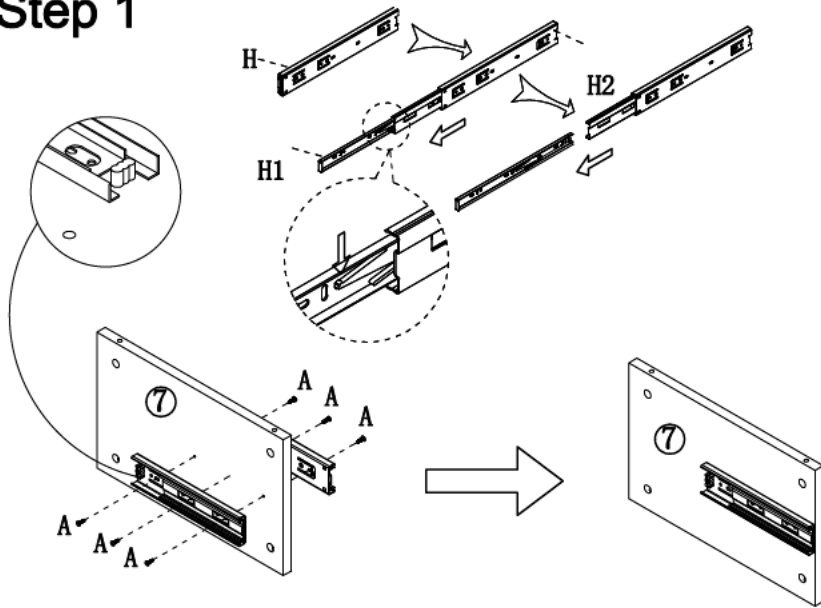
 M3.5*14mm	 M4*40mm		 M6*40mm	 Φ12*12mm
Ⓐ x80pcs	Ⓒ x8pcs	Ⓓ x6pcs	Ⓔ x46pcs	Ⓕ x46pcs
 Φ6*30mm	 8in		 150CM	 120CM
Ⓖ x16pcs	Ⓗ x2pcs	Ⓘ x16pcs	Ⓙ x1pc	Ⓚ x1pc
			 M6*35mm	 M6*10mm
Ⓛ x4pcs	Ⓜ x16pcs	Ⓝ x1pc	Ⓟ x6pcs	Ⓠ x16pcs
 M4		 M4*16	 H125mm	
Ⓟ x1pc	Ⓡ x4pcs	Ⓢ x8pcs	Ⓣ x4pcs	Ⓤ x54pcs

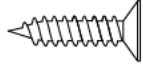

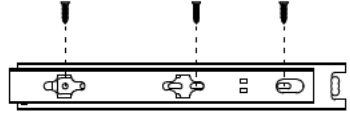
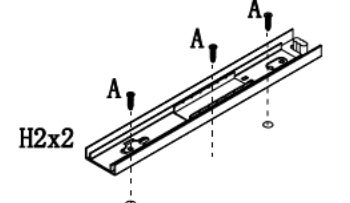
Note: One 5V 2A USB Type A charger required to power the LED light strip.(Not Included)

N845P261801

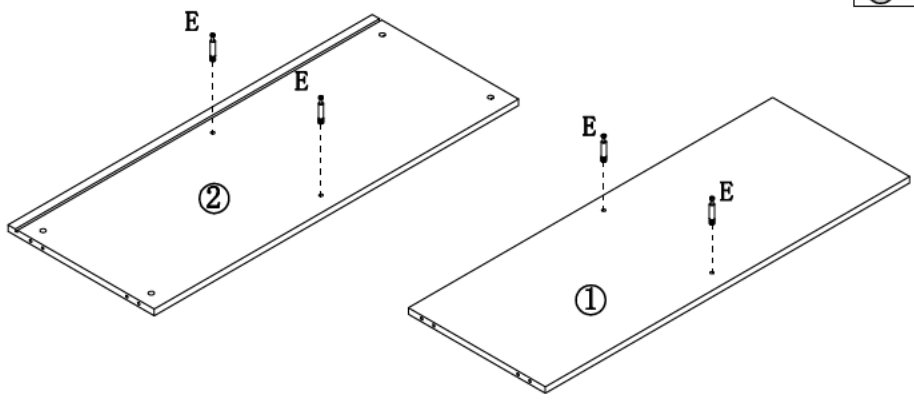
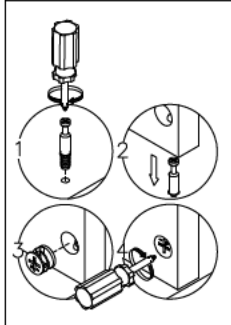
 M3.5*14mm	 M4*30mm	 30mm	
Ⓐ x2pcs	Ⓑ x2pcs	Ⓤ x2pcs	Ⓟ x2pcs


Step 1



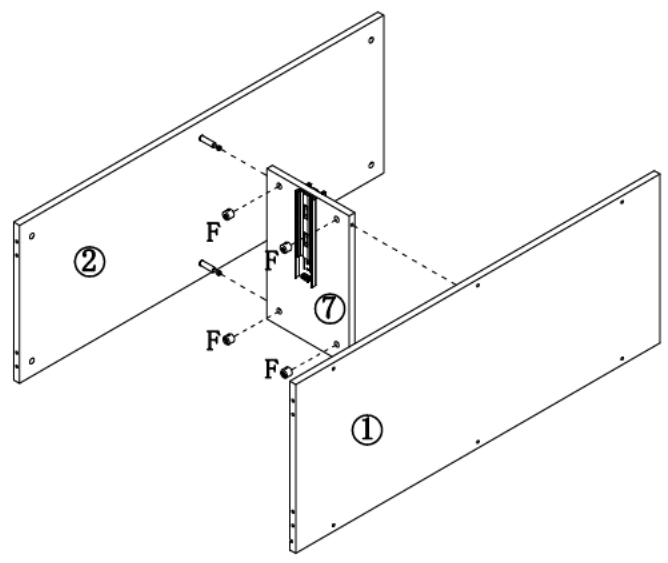
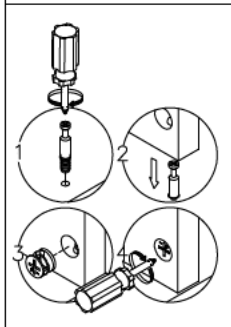
 M3.5*14mm	 8in
Ⓐ x6pcs	Ⓗ
	
	


Step 2





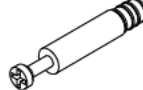

 M6*40mm
Ⓔ x4pcs

Step 3

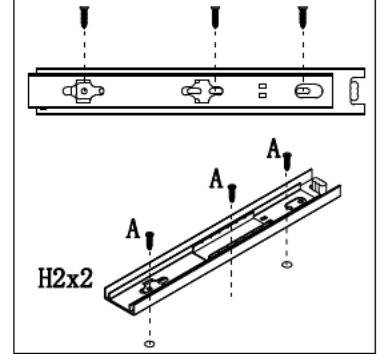
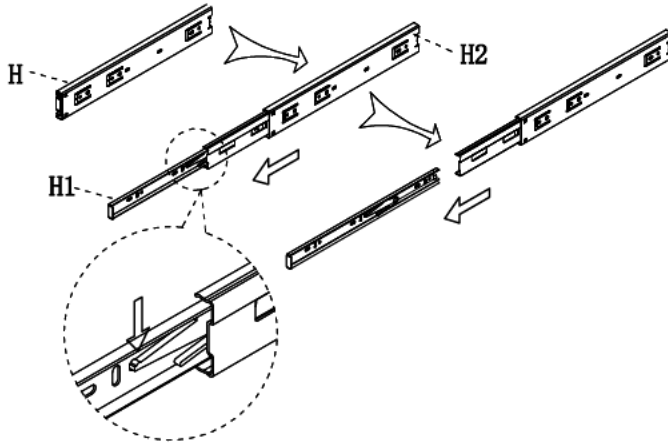


 Ø12*12mm
Ⓕ x4pcs

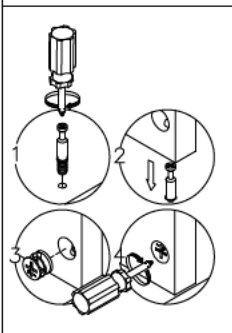
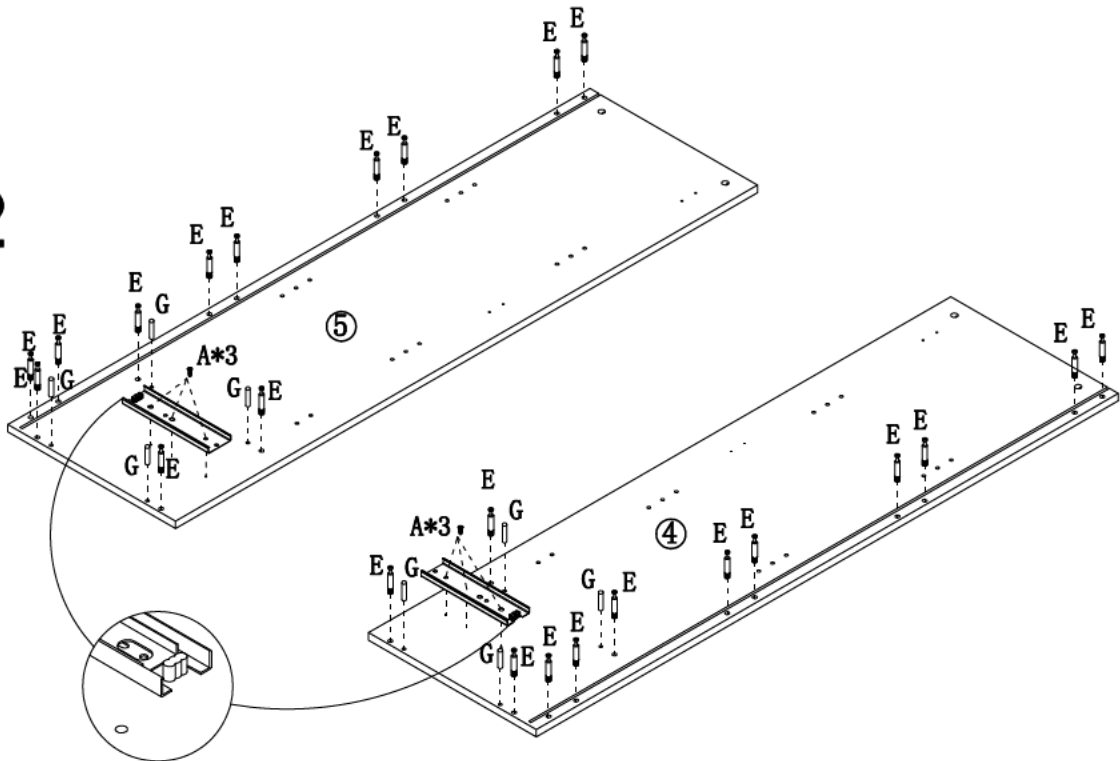
Step 4

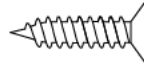
			
M3.5*14mm	8in	M6*40mm	φ6*30mm
Ⓐ x6pcs	Ⓗ	Ⓔ x24pcs	Ⓖ x8pcs

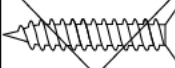
1

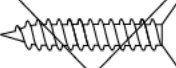


2




M3.5*14mm
Ⓐ x80pcs


M4*30mm
Ⓑ x2pcs

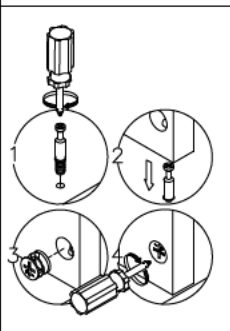
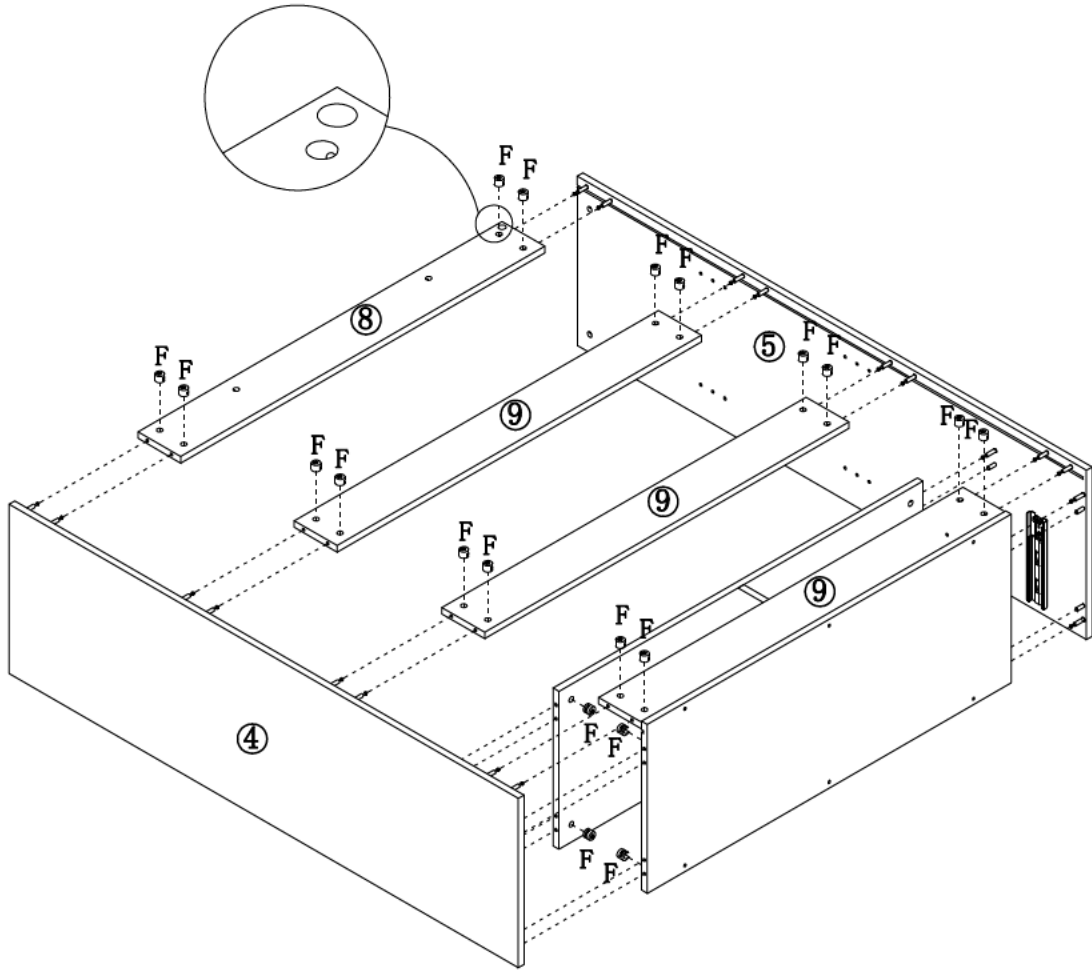

M4*40mm
Ⓒ x8pcs

Step 5



Ø12*12mm

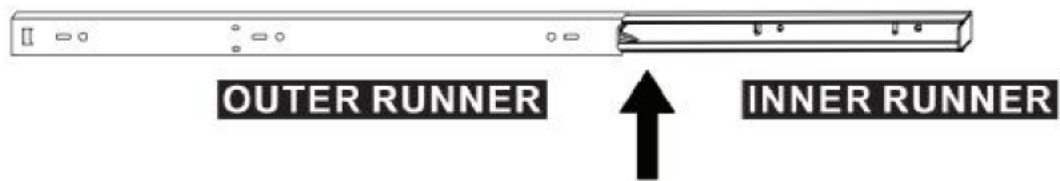
Ⓢ x24pcs



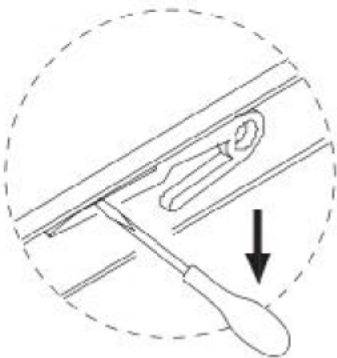
NOTE-1: Pull inner and outer drawer runners apart before fixing them to panels.



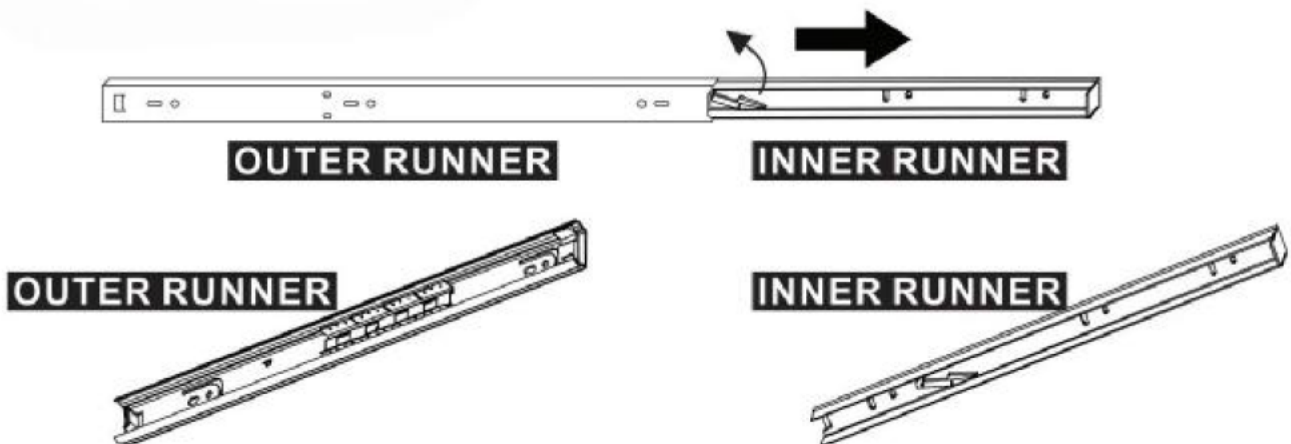
NOTE-2: Slide drawer runners apart until the drawer lock can be seen, as shown.



NOTE-3 Press and hold the drawer runner lock and then continue to slide drawer runners apart, as shown.

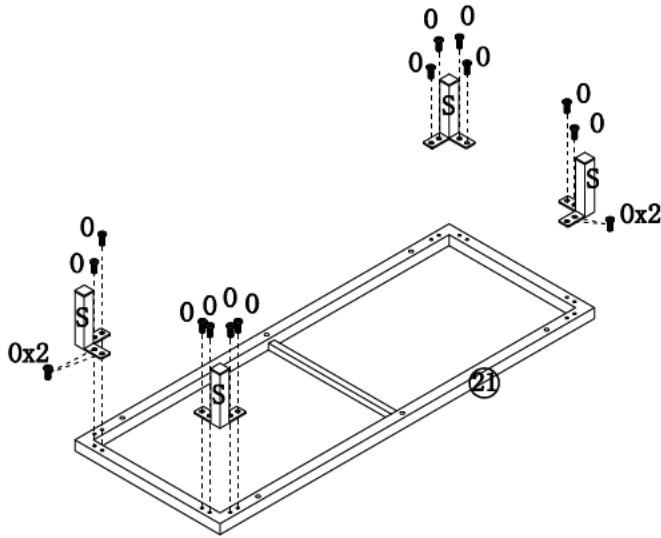


NOTE-4: Your inner and outer drawer runners are ready to be fixed to panels.



Step 6

1



M6*35mm

Ⓝ x6pcs



M6*10mm

Ⓞ x16pcs



M4

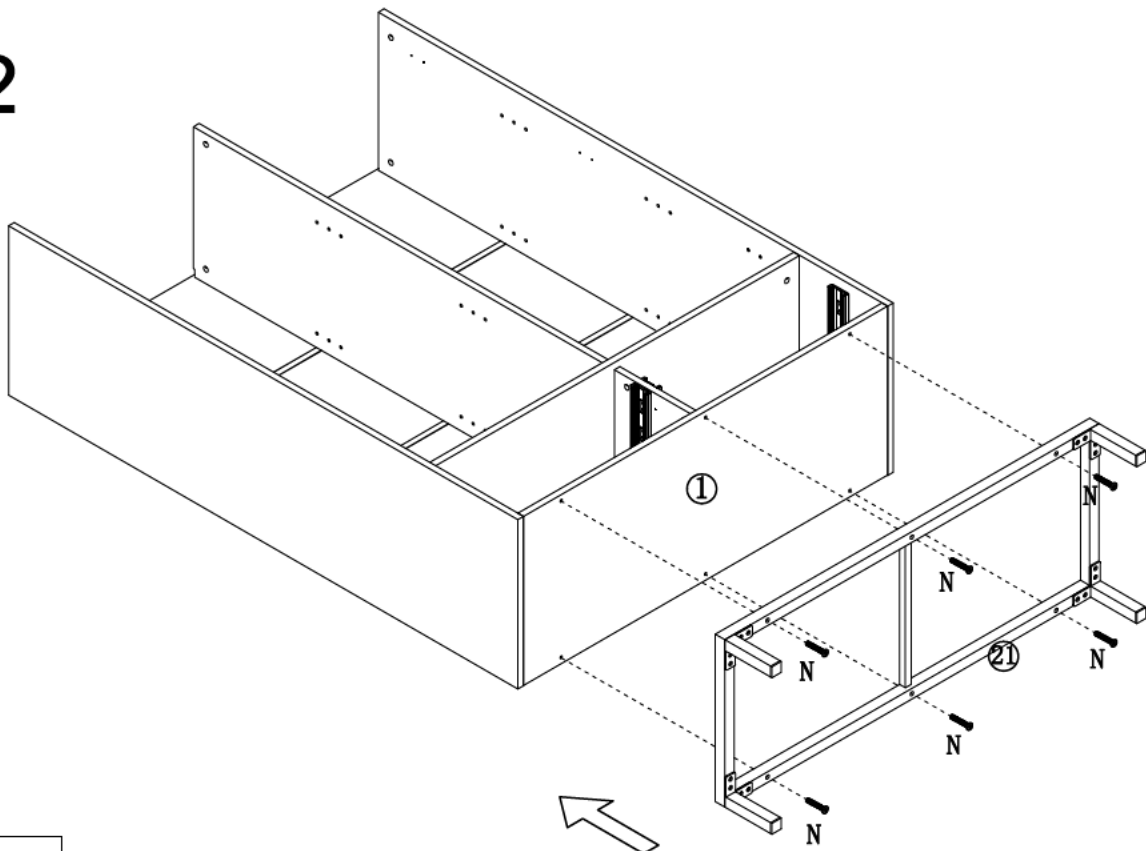
Ⓟ x1pc



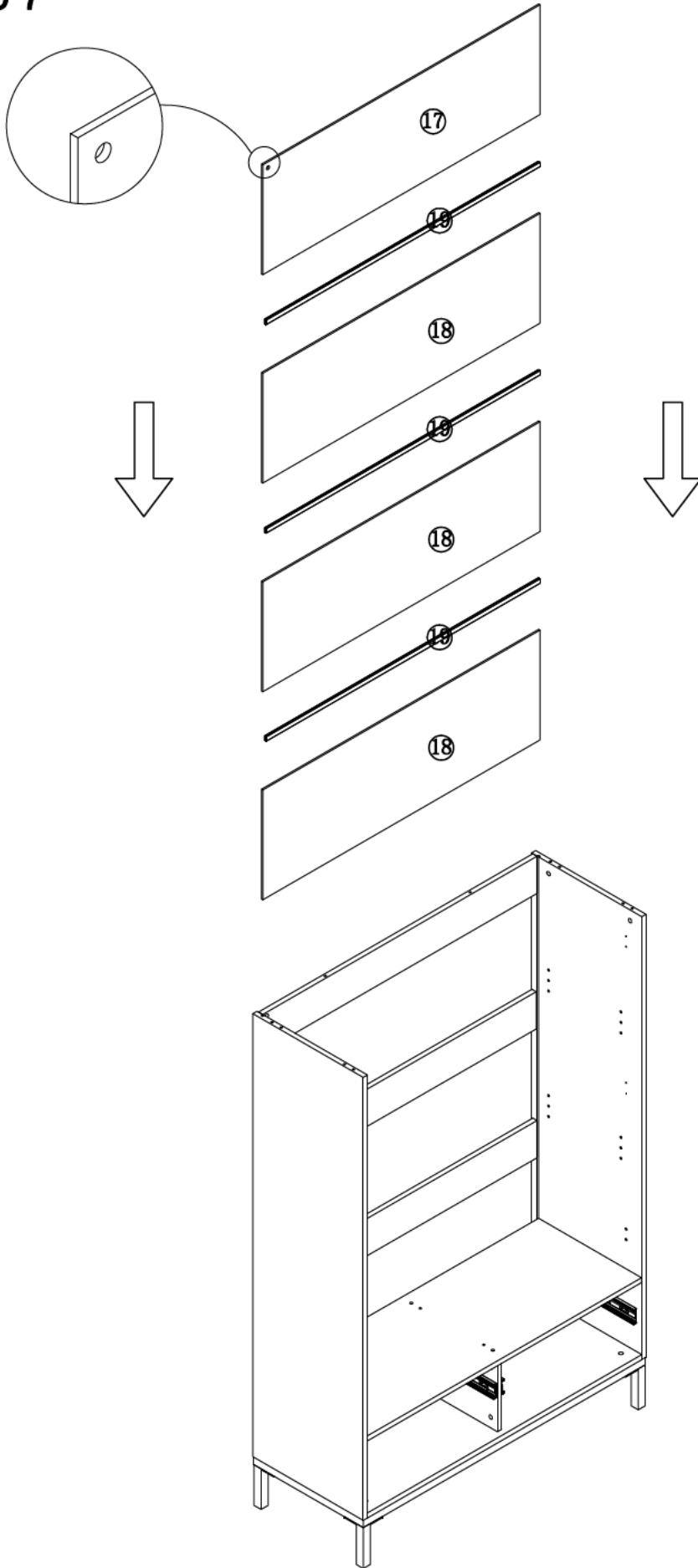
H125mm

Ⓢ x4pcs

2

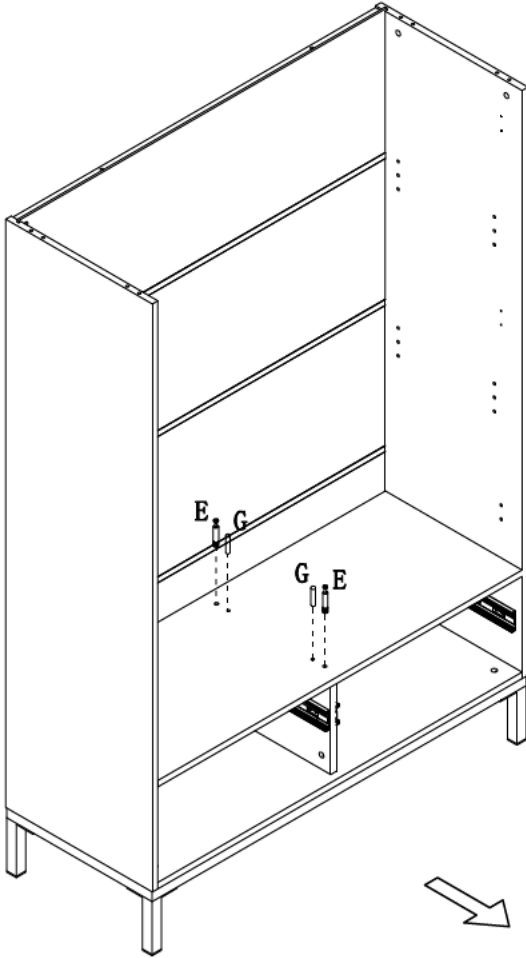


Step 7



Step 8

1



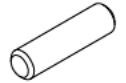
M6*40mm

Ⓔ x2pcs



∅12*12mm

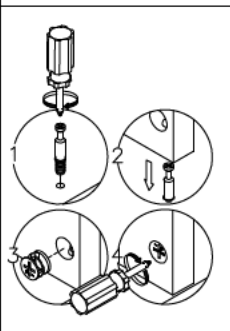
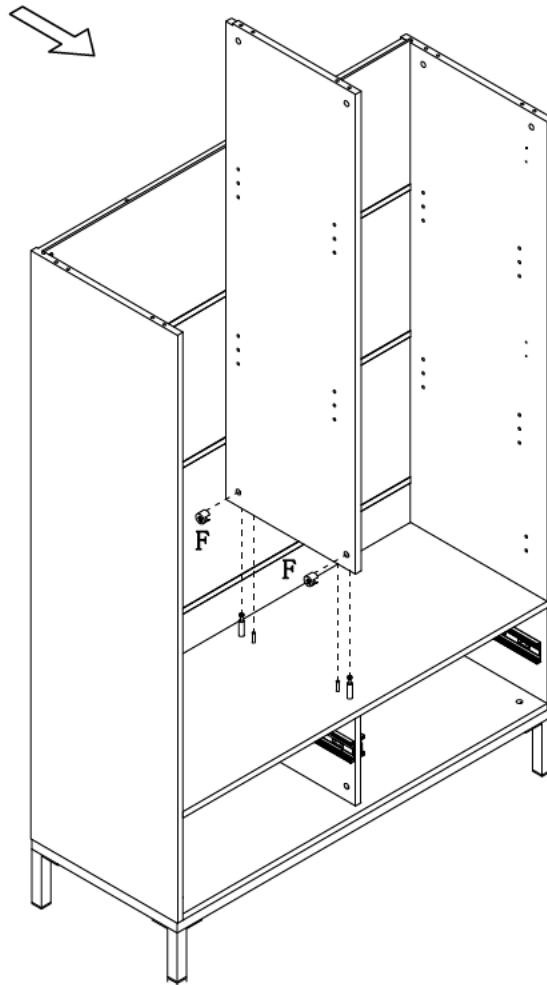
Ⓕ x2pcs



∅6*30mm

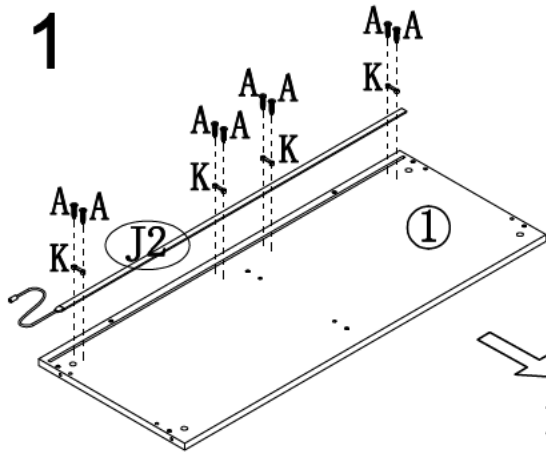
Ⓖ x2pcs





2

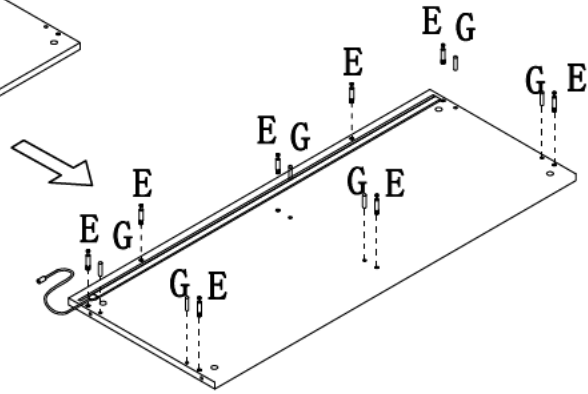


Step 9

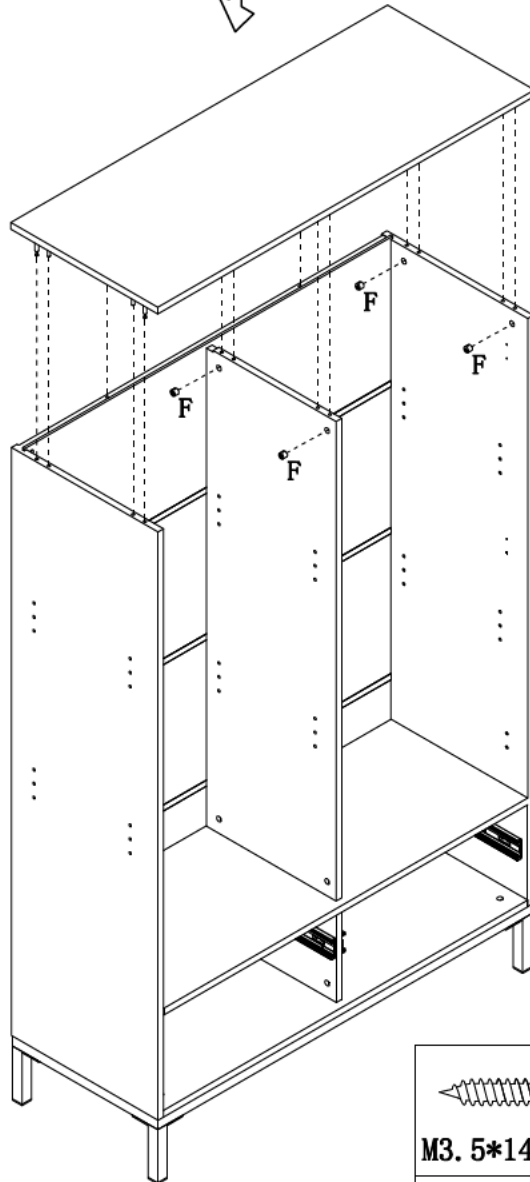
1





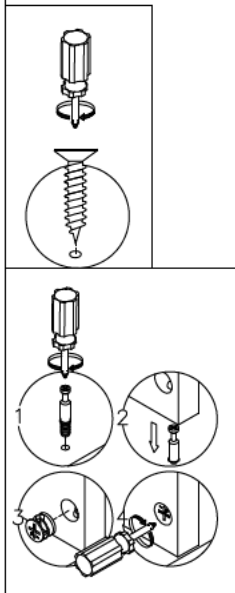
			
M3.5*14mm	M6*40mm	φ6*30mm	1.2米
Ⓐ x8pcs	Ⓔ x8pcs	Ⓒ x6pcs	Ⓜ x1pc

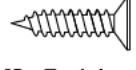




2

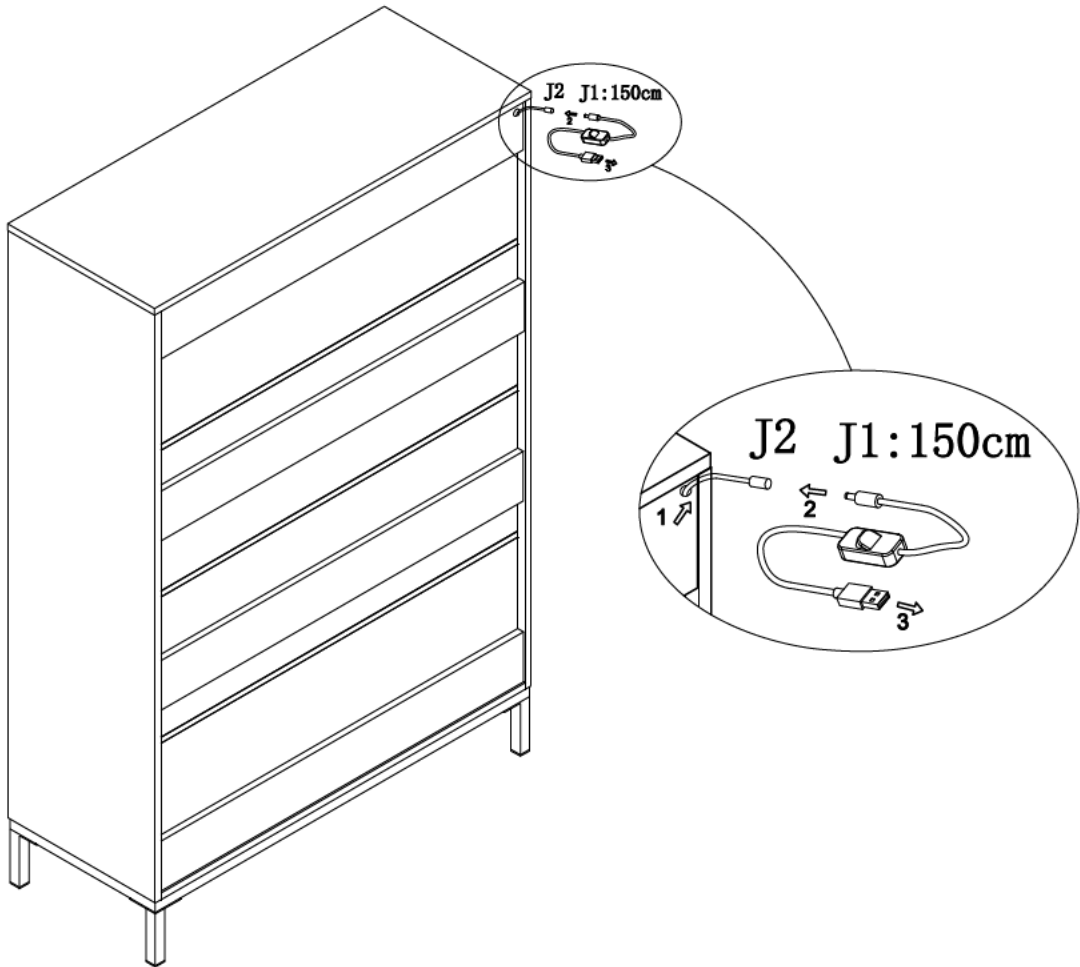
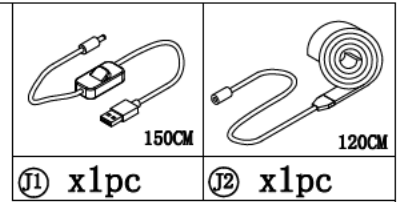



Ⓚ x4pcs

φ12*12mm
ⓕ x8pcs



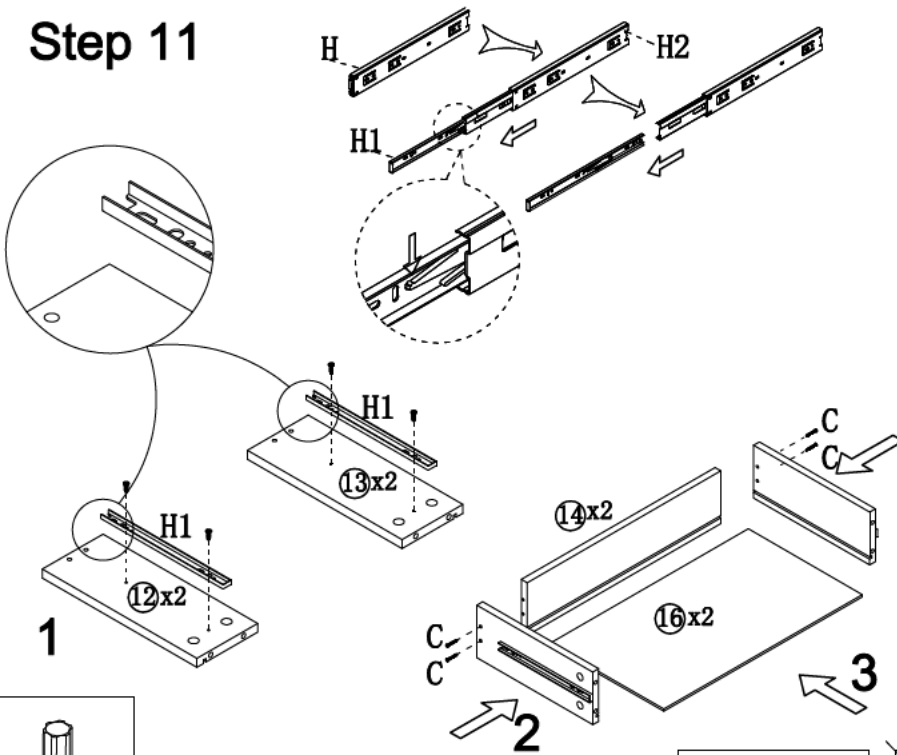
		
M3.5*14mm	M4*30mm	M4*40mm
Ⓐ x80pcs	Ⓑ x2pcs	Ⓒ x8pcs

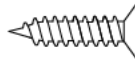


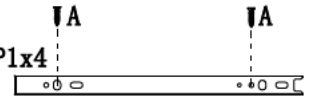
Step 10

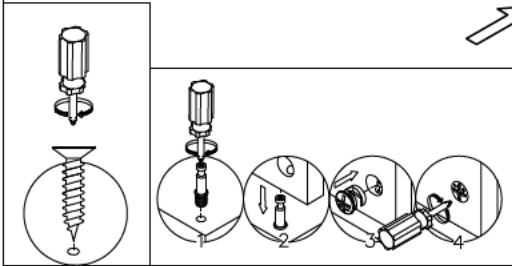


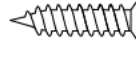
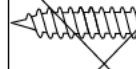
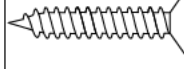
Note: One 5V 2A USB Type A charger required to power the LED light strip.(Not Included)

Step 11

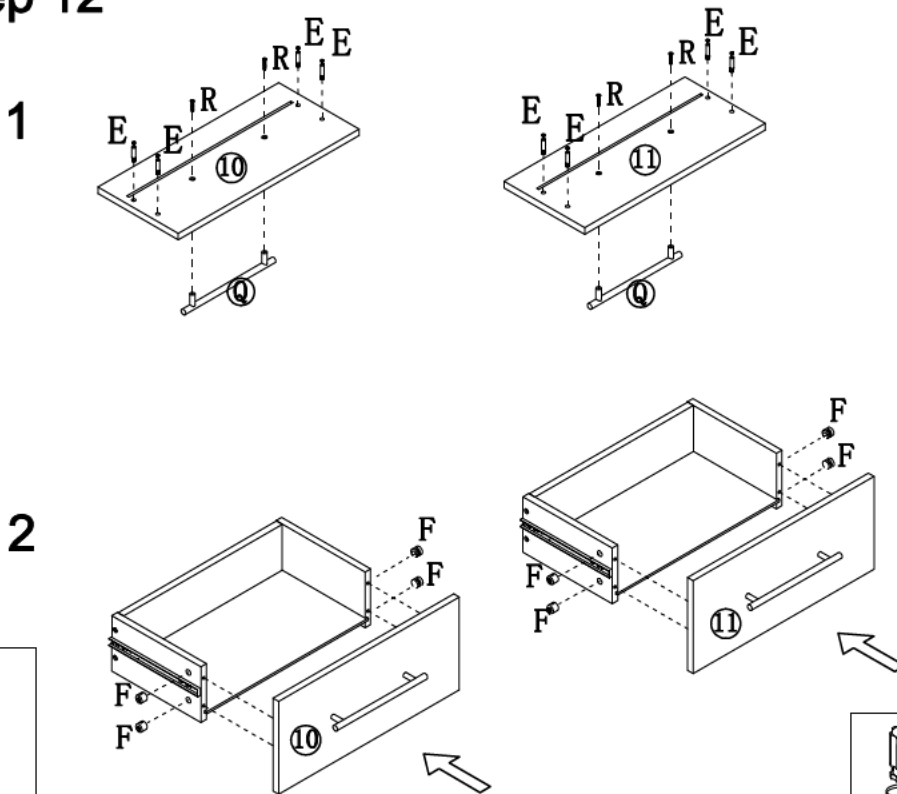



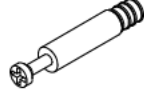

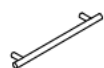
 M3.5*14mm Ⓐ x8pcs	 8in Ⓗ
 M3.5*40mm Ⓒ x8pcs	
 P1x4	

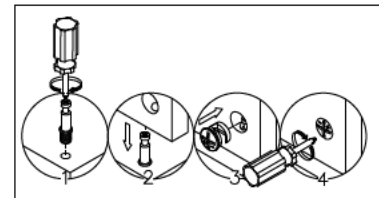
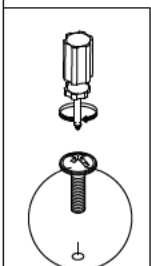


 M3.5*14mm Ⓐ x80pcs	 M4*30mm Ⓑ x2pcs	 M4*40mm Ⓒ x8pcs
---	---	--

Step 12

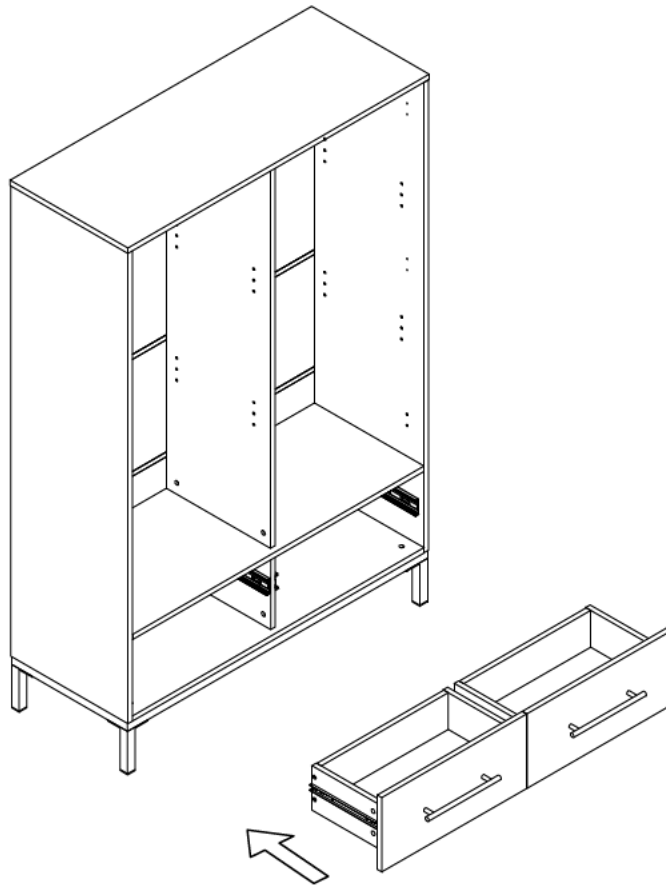


 Ø12*12mm Ⓕ x8pcs
 M6*40mm Ⓔ x8pcs
 M4*16 Ⓖ x4pcs
 Ⓚ x2pcs

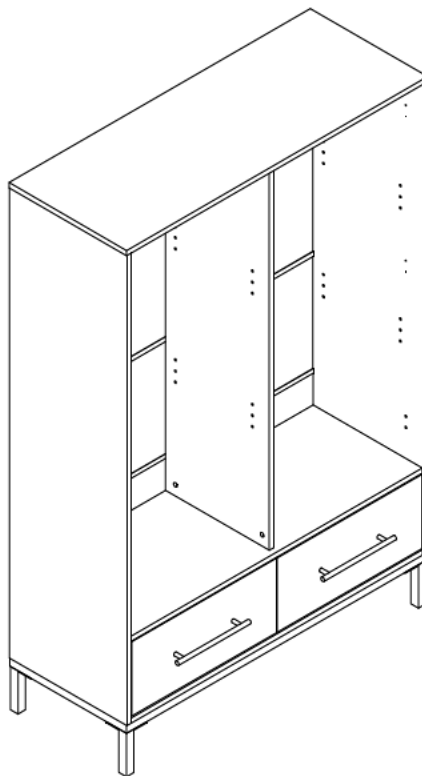


Step 13

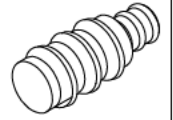
1



2

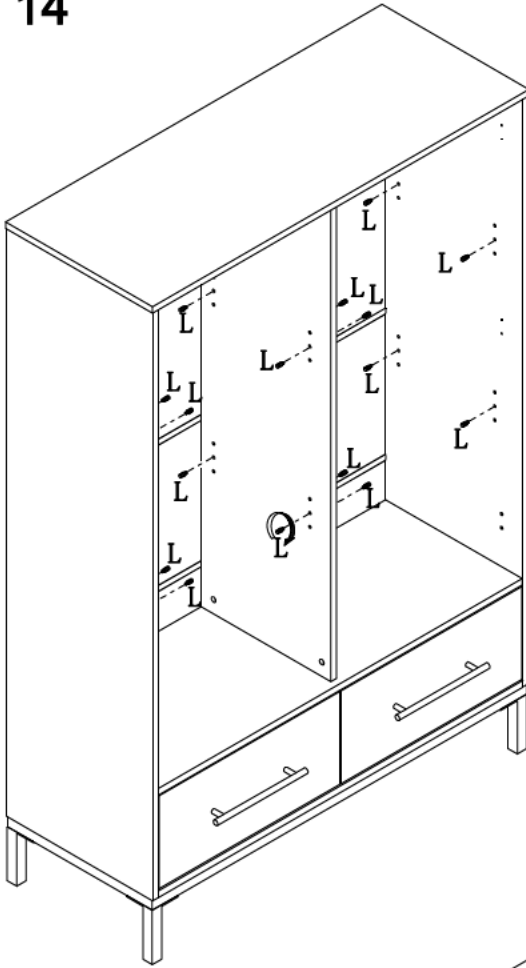


Step 14

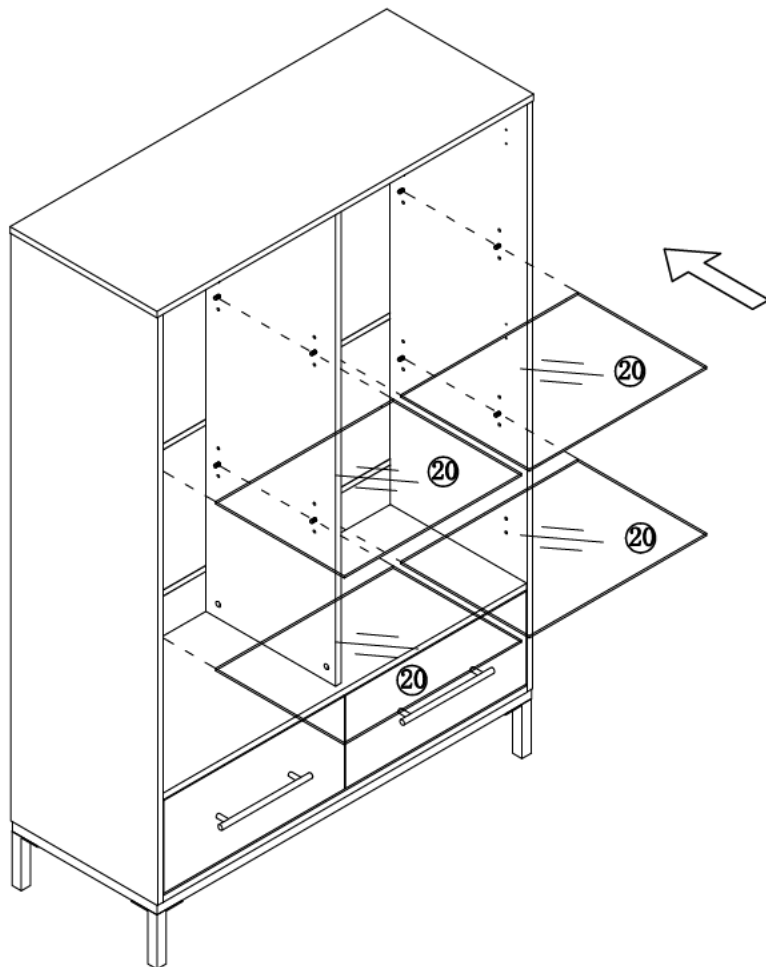


Ⓛ x16pcs


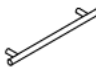
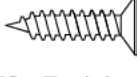
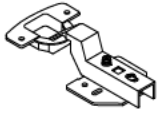
1

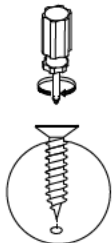
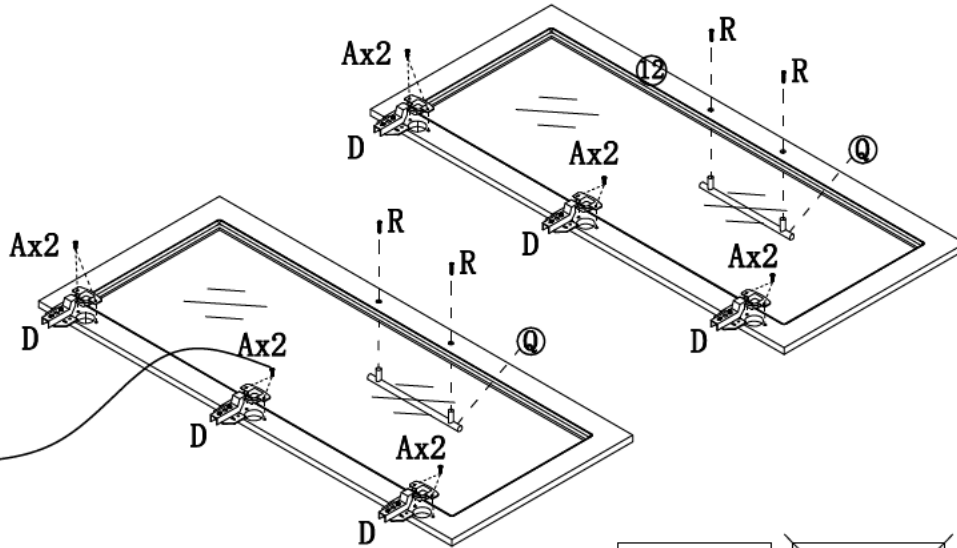





2



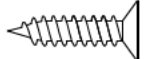
Step 15

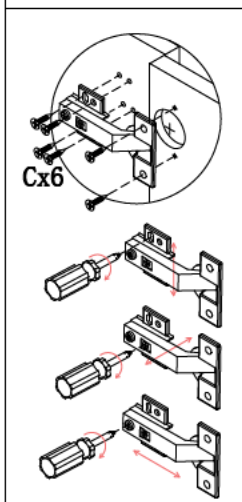
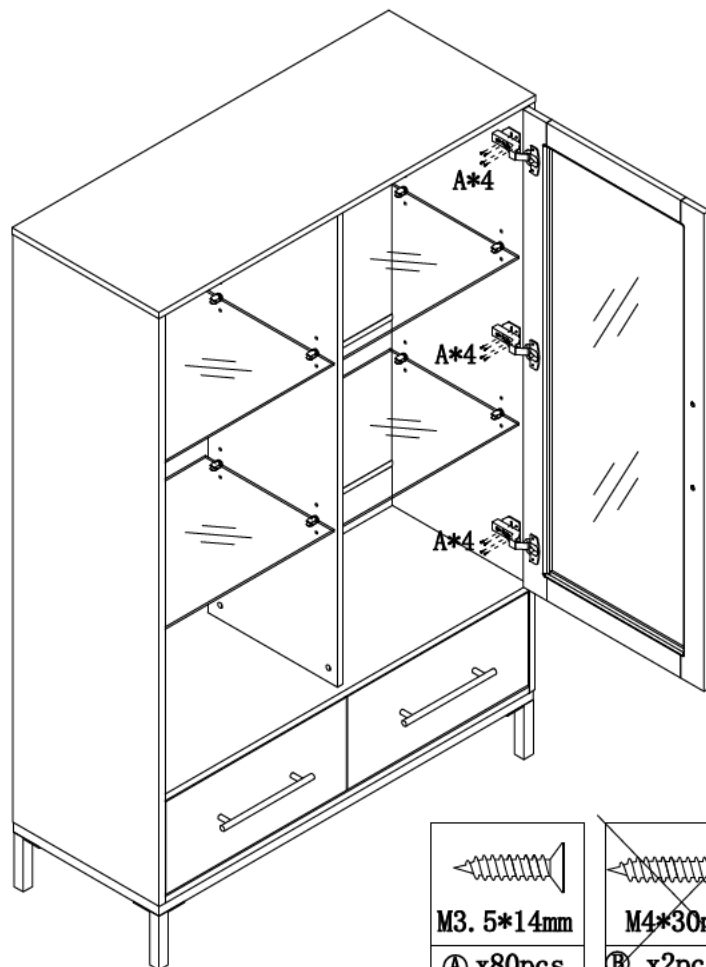
			
M4*16		M3.5*14mm	
Ⓡx4pcs	Ⓚ x2pcs	ⓐ x12pcs	ⓓ x6pcs






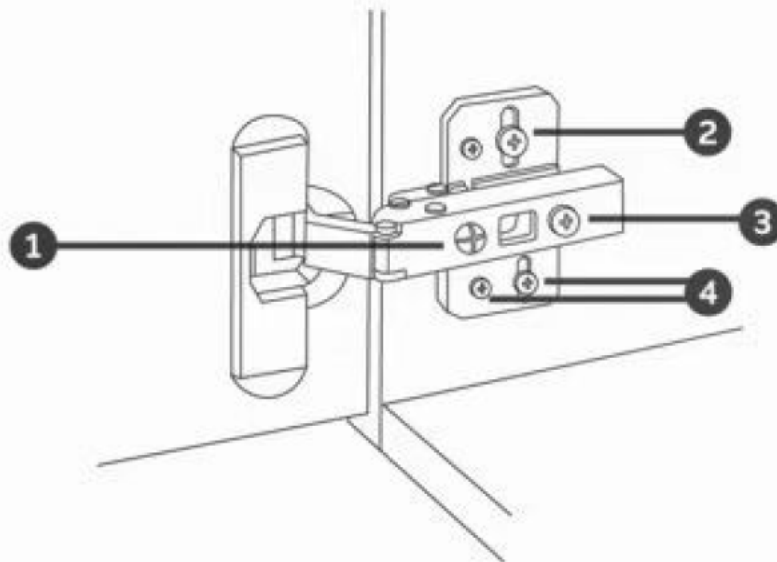
		
M3.5*14mm	M4*30mm	M4*40mm
ⓐ x80pcs	ⓑ x2pcs	ⓒ x8pcs

Step 16


M3.5*14mm
ⓐ x24pcs

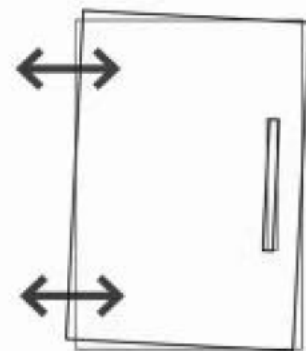


		
M3.5*14mm	M4*30mm	M4*40mm
ⓐ x80pcs	ⓑ x2pcs	ⓒ x8pcs



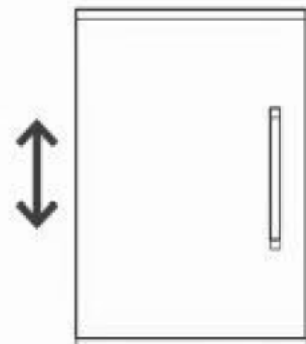
1 Sideways / Tilt adjustment

Turn the screw
clockwise to move the door further away from
 the side of the cabinet
anticlockwise to move the door closer to the
 side of the cabinet



2 4 Height adjustment

While supporting the weight of the door, turn the
 screws
clockwise to move the door up
anticlockwise to move the door down

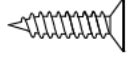



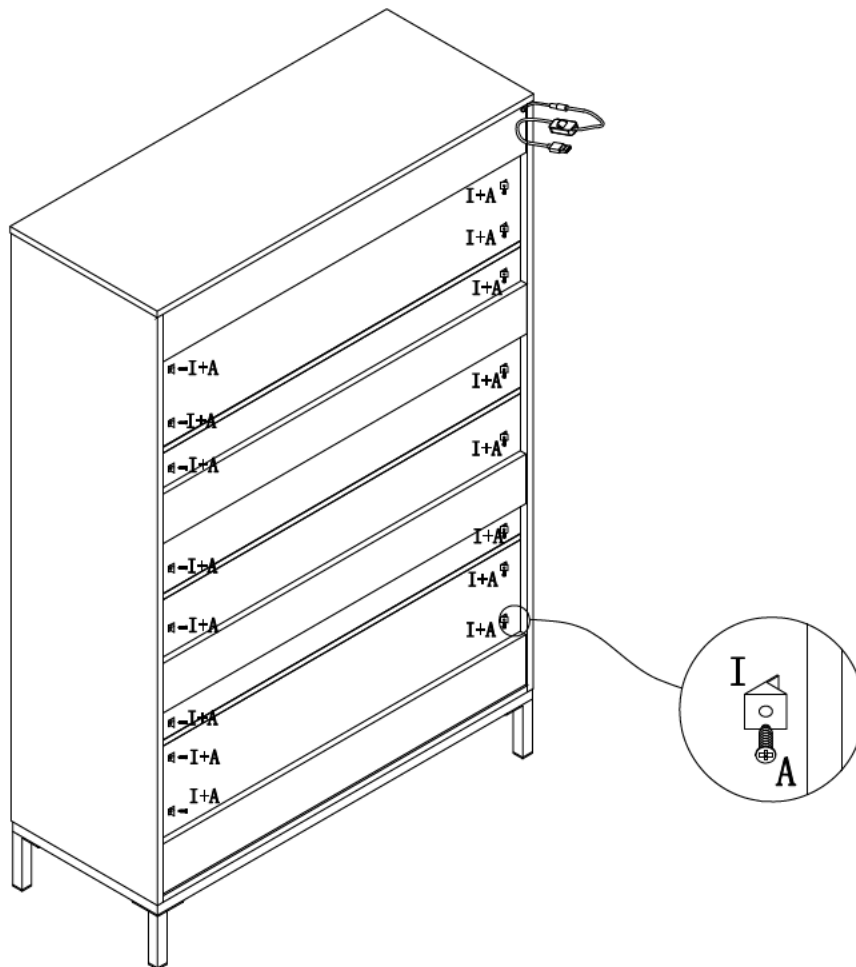
3 Forward and back adjustment

If the gap between the back of the door and the
 cabinet is too small, and the door may not close
 fully. Turn the screw
clockwise to decrease the gap between the
 door and the cabinet
anticlockwise to increase the gap between the
 door and the cabinet


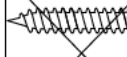



Step 17

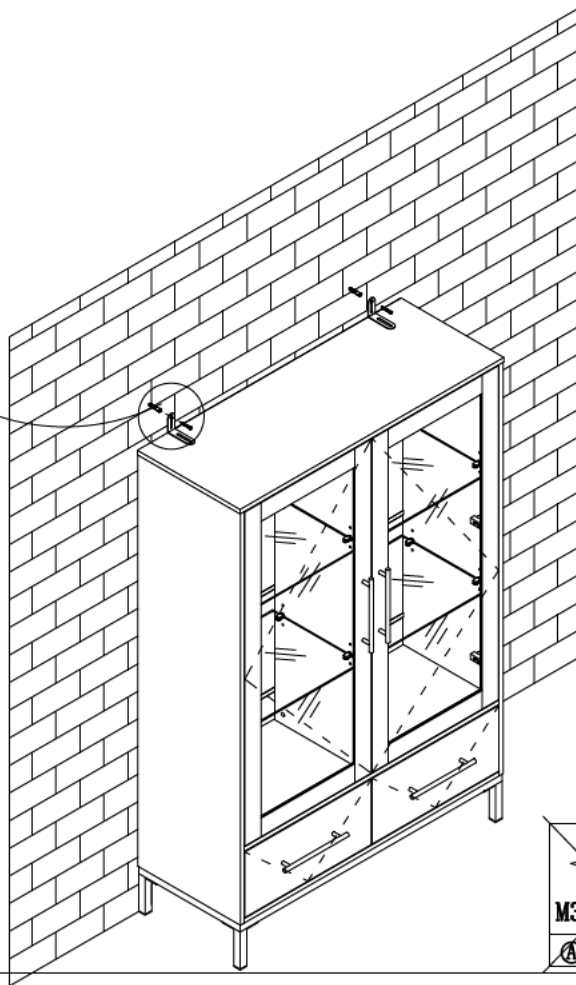
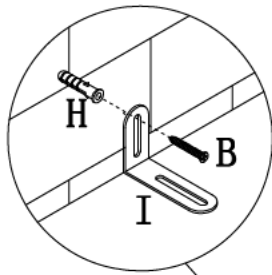
 M3. 5*14mm	
Ⓐ x16pcs	Ⓛ x16pcs


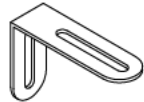
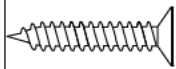


Note: One 5V 2A USB Type A charger required to power the LED light strip.(Not Included)

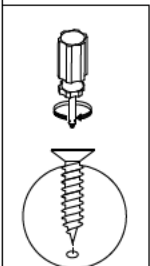
 M3. 5*14mm	 M4*30mm	 M4*40mm
Ⓐ x80pcs	Ⓑ x2pcs	Ⓒ x8pcs




Step 18



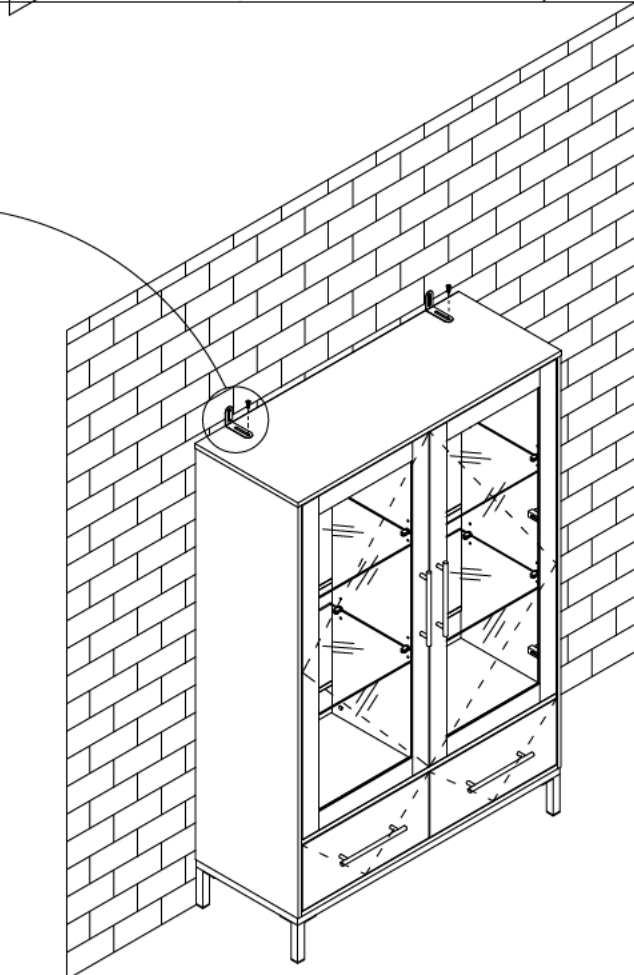
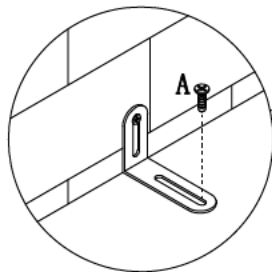
	
30mm	
Ⓜ x2pcs	Ⓜ x2pcs
	
	M4*30mm
	Ⓜ x2pcs

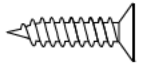
Attention: For safety and stability, we suggest securing the anti-tip accessories to the wall to prevent tipping, injury, and property damage.

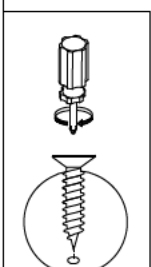





		
M3.5*14mm	M4*30mm	M4*40mm
Ⓜ x80pcs	Ⓜ x2pcs	Ⓜ x8pcs

Step 19




M3.5*14mm
Ⓜ x2pcs

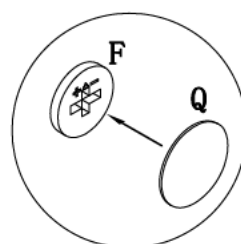
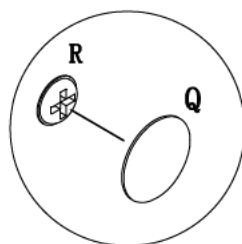
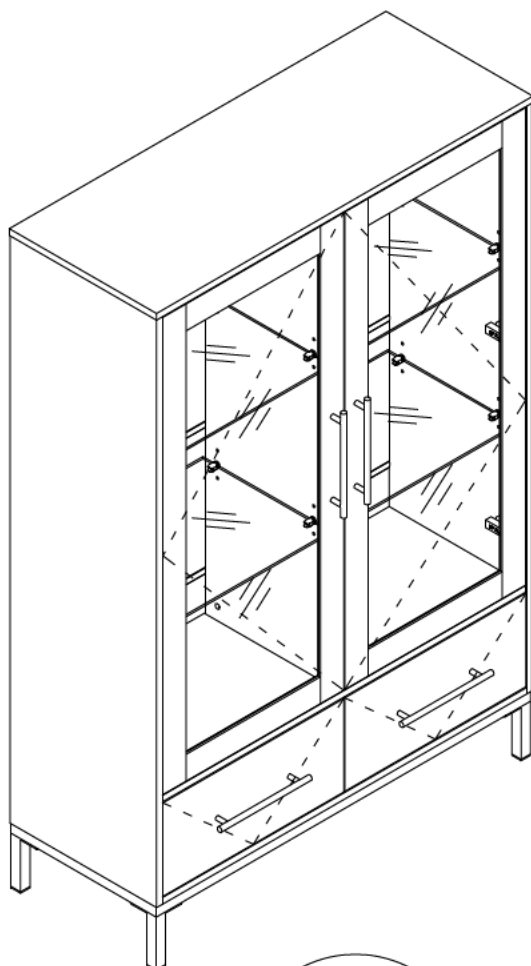


		
M3.5*14mm	M4*30mm	M4*40mm
Ⓜ x80pcs	Ⓜ x2pcs	Ⓜ x8pcs

Step 20



Q x54pcs



After installing the product, stick the number Q on the perforated position

Certificate of Conformity

Certificate No. : HTT202311076E
Applicant : Shenzhen Jiangyong Lighting Co., Ltd.
Applicant Address : Room 207, Building C, No. 168, Cenxia Roadm Fenghuang Community, Fuyong Street, Baoan District, Shenzhen.
Manufacturer : Shenzhen Jiangyong Lighting Co., Ltd.
Manufacturer Address : Room 207, Building C, No. 168, Cenxia Roadm Fenghuang Community, Fuyong Street, Baoan District, Shenzhen.
Product : LED light strip suit
Model No. : 2835
Trademark : N/A

The above products have been tested by us with listed standards and found in compliance with the council EMC 2014/30/EU. It is possible to use CE marking to demonstrate the compliance with the EMC directive.

Test standards:	Report(s) Number	Issued By	Issued Date
EN IEC 55015: 2019+A11:2020 EN IEC 61547:2023 EN IEC 61000-3-2: 2019 +A1:2021 EN 61000-3-3:2013+A2:2021+AC:2022	HTT202311076ER	HTT	Nov.08,2023

This certificate of conformity is not transferable and based on an evaluation of a sample of the above mentioned product.



Authorised Signatory:

Kevin Yang

Kevin Yang/Senior Manager



Date: Nov.08,2023

Shenzhen HTT Technology Co.,Ltd. Web: www.httprc.com

TEL: 0755-23595200 FAX: 0755-23595201 Hotline: 400-6655-351 Mail: info@httprc.com
1F, B Building, Huafeng International Robotics Industrial Park, Gushu, Xixiang Street, Bao'an District, Shenzhen, China



Thank you for giving UL the opportunity to partner with you.

Please note, Follow-Up Procedure Revisions or Report Revisions do not include Authorization Pages, Indices, Section General, and/or Appendices unless revisions were required or requested.

Should you have any questions, after reviewing the material, or need to report any inaccuracies, please reach out to your UL representative or find UL contact details for your local Customer Service Department at

<https://www.ul.com/about/locations>.

Please find attached the related material

For your convenience, the below describes the related updates:

Resend coc

E510694-20191031-CertificateofCompliance

This material is provided on behalf of UL LLC (UL) or any authorized licensee of UL.

Times change, Trust Remains™

CERTIFICATE OF COMPLIANCE

Certificate Number UL-CA-L510694-41-13019102-0
Report Reference E510694-20191031
Date 17-Jan-2022

Issued to: Shenzhen Quanzhengtong Technology Co Ltd
402.NO.102, Zhangbei Avenue, Zhangbei Community
Longcheng Street, Longgang District Shenzhen,
Guangdong 518112
China

This is to certify that representative samples of FKSZ7 - Light-emitting-diode Drivers Certified for Canada
See Addendum Page for Product Designation(s).

Have been investigated by UL in accordance with the Standard(s) indicated on this Certificate.

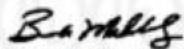
Standard(s) for Safety: CAN/CSA C22.2 No. 250.13-17, Edition, 3dr, Revision Date 2017-10-01

Additional Information: See the UL Online Certifications Directory at <https://iq.ulprospector.com> for additional information

This Certificate of Compliance does not provide authorization to apply the UL Mark. Only the UL Follow-Up Services Procedure provides authorization to apply the UL Mark.

Only those products bearing the UL Mark should be considered as being UL Certified and covered under UL's Follow-Up Services.

Look for the UL Certification Mark on the product.



Bruce Mahrenholz, Director North American Certification Program

UL LLC

Any information and documentation involving UL Mark services are provided on behalf of UL LLC (UL) or any authorized licensee of UL. For questions, please contact a local UL Customer Service Representative at <http://ul.com/about/locations>

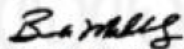


CERTIFICATE OF COMPLIANCE

Certificate Number UL-CA-L510694-41-13019102-0
Report Reference E510694-20191031
Date 17-Jan-2022

This is to certify that representative samples of the product as specified on this certificate were tested according to the current UL requirements

Model	Category Description
<p>QZT-XXXXYYY, XXX are 3 digit number, in the step of 1, represents output voltage which does not exceed max. voltage, for example, 240 represents 24V.</p> <p>YYYY are 4 digit number, in the step of 1, represents output current which does not exceed max. current, for example, 2000 represents 2A,</p>	LED Drivers



Bruce Mahrenholz, Director North American Certification Program

UL LLC

Any information and documentation involving UL Mark services are provided on behalf of UL LLC (UL) or any authorized licensee of UL. For questions, please contact a local UL Customer Service Representative at <http://ul.com/about/locations>



CERTIFICATE OF COMPLIANCE

Certificate Number UL-US-L510694-11-13019102-0
Report Reference E510694-20191031
Date 17-Jan-2022

Issued to: Shenzhen Quanzhengtong Technology Co Ltd
402.NO.102, Zhangbei Avenue, Zhangbei Community
Longcheng Street, Longgang District Shenzhen,
Guangdong 518112
China

This is to certify that representative samples of FKSZ - Light-emitting-diode Drivers
See Addendum Page for Product Designation(s).

Have been investigated by UL in accordance with the Standard(s) indicated on this Certificate.

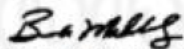
Standard(s) for Safety: UL 8750, Edition, 2nd Revision Date 2019-10-11

Additional Information: See the UL Online Certifications Directory at <https://iq.ulprospector.com> for additional information

This Certificate of Compliance does not provide authorization to apply the UL Mark. Only the UL Follow-Up Services Procedure provides authorization to apply the UL Mark.

Only those products bearing the UL Mark should be considered as being UL Certified and covered under UL's Follow-Up Services.

Look for the UL Certification Mark on the product.



Bruce Mahrenholz, Director North American Certification Program

UL LLC

Any information and documentation involving UL Mark services are provided on behalf of UL LLC (UL) or any authorized licensee of UL. For questions, please contact a local UL Customer Service Representative at <http://ul.com/about/locations>

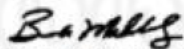


CERTIFICATE OF COMPLIANCE

Certificate Number UL-US-L510694-11-13019102-0
Report Reference E510694-20191031
Date 17-Jan-2022

This is to certify that representative samples of the product as specified on this certificate were tested according to the current UL requirements

Model	Category Description
<p>QZT-XXXXXXX, XXX are 3 digit number, in the step of 1, represents output voltage which does not exceed max. voltage, for example, 240 represents 24V.</p> <p>YYYY are 4 digit number, in the step of 1, represents output current which does not exceed max. current, for example, 2000 represents 2A,</p>	LED Drivers



Bruce Mahrenholz, Director North American Certification Program

UL LLC

Any information and documentation involving UL Mark services are provided on behalf of UL LLC (UL) or any authorized licensee of UL. For questions, please contact a local UL Customer Service Representative at <http://ul.com/about/locations>

