

Coffee table

SAFETY WARNINGS

- ★ **CHOKING HAZARD:** Keep all small parts and packaging materials (plastic bags, foam, film, etc.) away from children and pets during and after assembly. Swallowing or inhaling small components can be fatal.
- ★ **TIP-OVER HAZARD:** Furniture can tip over if misused, causing serious or fatal injury. Never allow children to climb, stand, or hang on this product.
- ★ **GENERAL SAFETY:** To prevent injury or damage, keep sharp objects and corrosive substances away from the product and children.

BEFORE YOU BEGIN

- ★ **Read First:** Carefully read through this entire manual before starting assembly.
- ★ **Inspect Parts:** Identify all parts using the illustrated list. If anything is missing or damaged, stop and contact us immediately. Do not proceed with assembly.
- ★ **Prepare Space:** Assemble on a clean, soft, and spacious surface (e.g., a carpet) to prevent scratches and damage to parts and your floor.
- ★ **Use Protection:** We recommend wearing the provided gloves during assembly to protect against sharp edges.

ASSEMBLY INSTRUCTIONS

- ★ **Match Parts:** Correctly match all parts and hardware using the numbered/lettered codes provided in the manual.
- ★ **Fitting Issues:** If a part does not fit, do not force it. Double-check the code and diagram to ensure you have the correct component.
- ★ **Screwing Technique:** For a stable build, first align and hand-tighten all screws into their pre-drilled holes. Once all screws are in place, use the tool to firmly tighten them one by one.
- ★ **Final Check:** After assembly, ensure all screws and connectors are secure.

USE & CARE

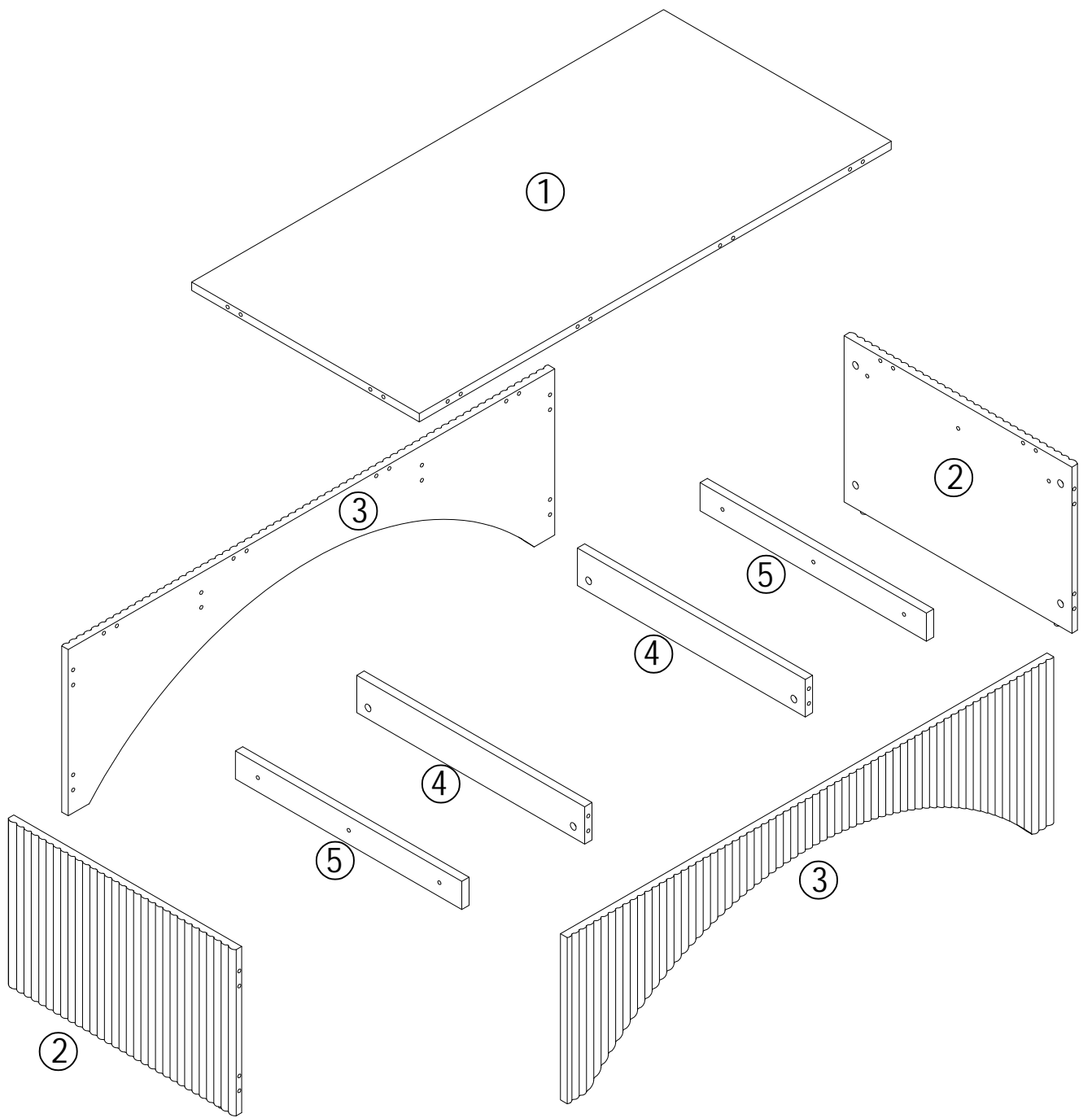
- ★ **Placement:** Always use the product on a level and solid ground.
- ★ **Stability Check:** Periodically (every few months) inspect and retighten screws and fittings to ensure long-term structural integrity.

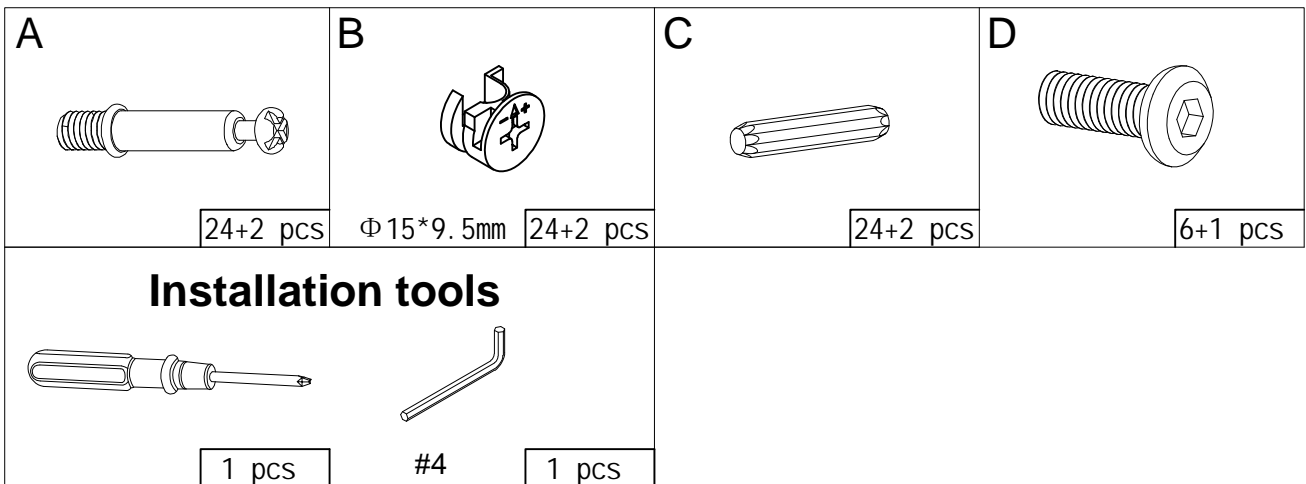
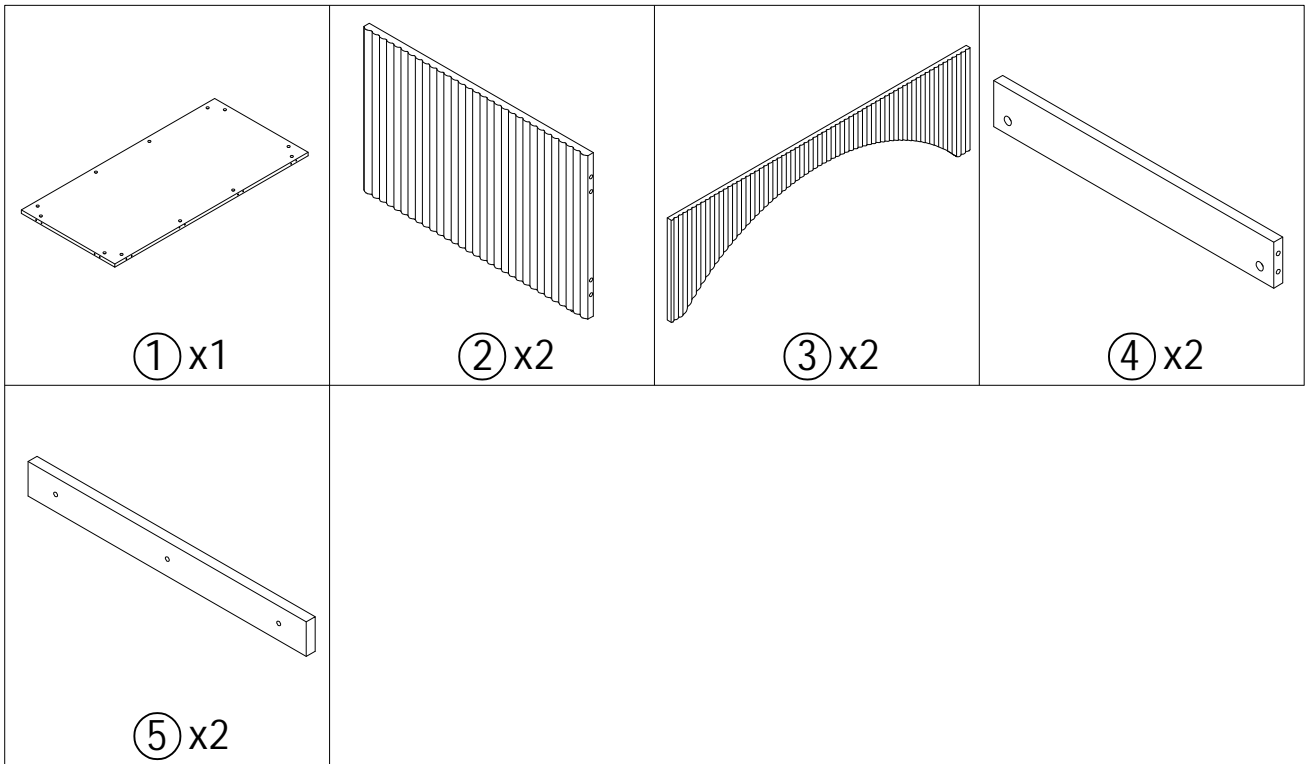
Surface Care:

- ★ **Wipe spills immediately** with a dry, soft cloth.
- ★ **Do not place hot objects** directly on the surface.
- ★ **Avoid long-term exposure** to direct sunlight, high temperatures, and humid environments to prevent fading, warping, or mildew.
- ★ **General Care:** Keep the product away from sharp objects and corrosive chemicals to avoid damage.

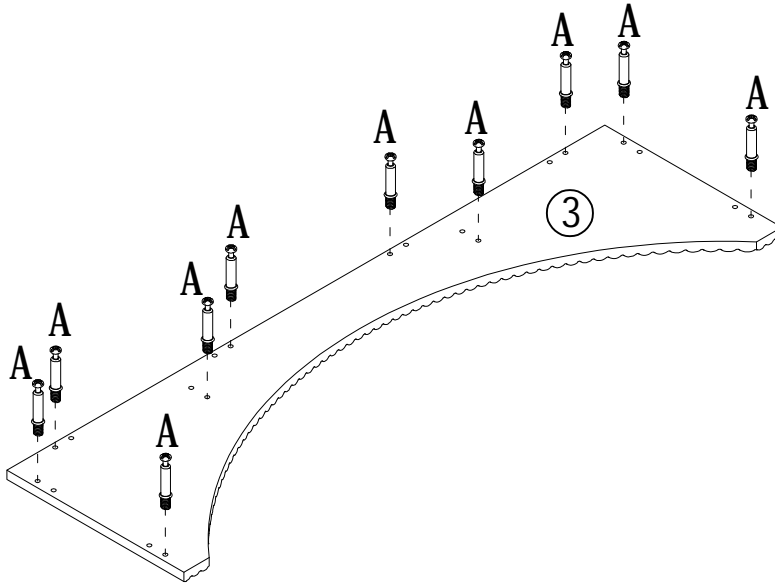
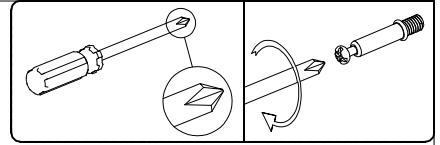
CONTACT US

- ★ **We are here to help!** For any questions, missing parts, or further assistance, please get in touch with us directly through your Amazon order page.



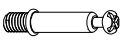


STEP:1

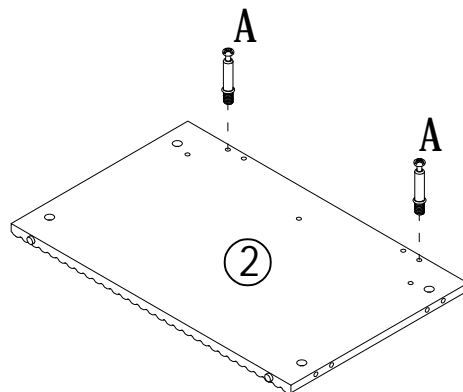
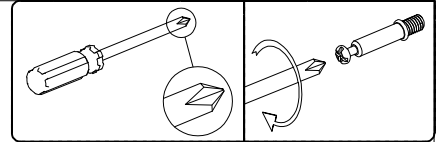


x2

Install using the holes shown—don't mix them up.
The other holes are for wooden dowels later.

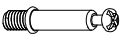
A  x20

STEP:2

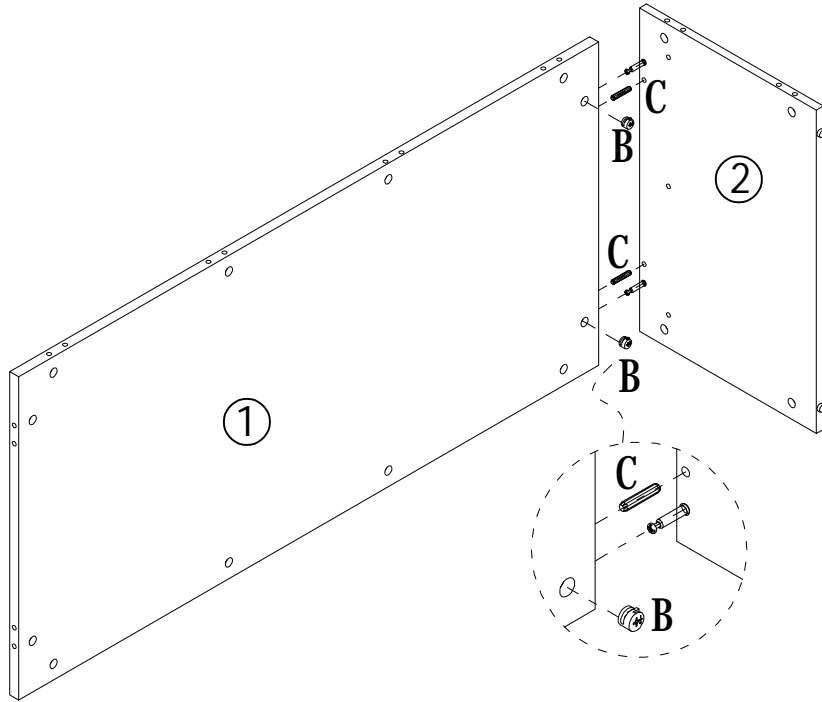




x2

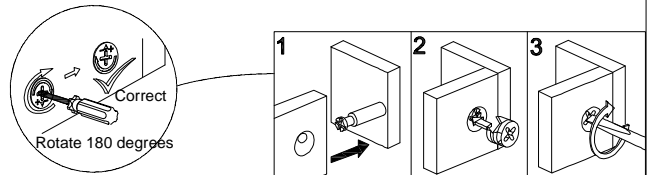
Install all pieces with Screw A in the outer
holes on the same side.

A  x4

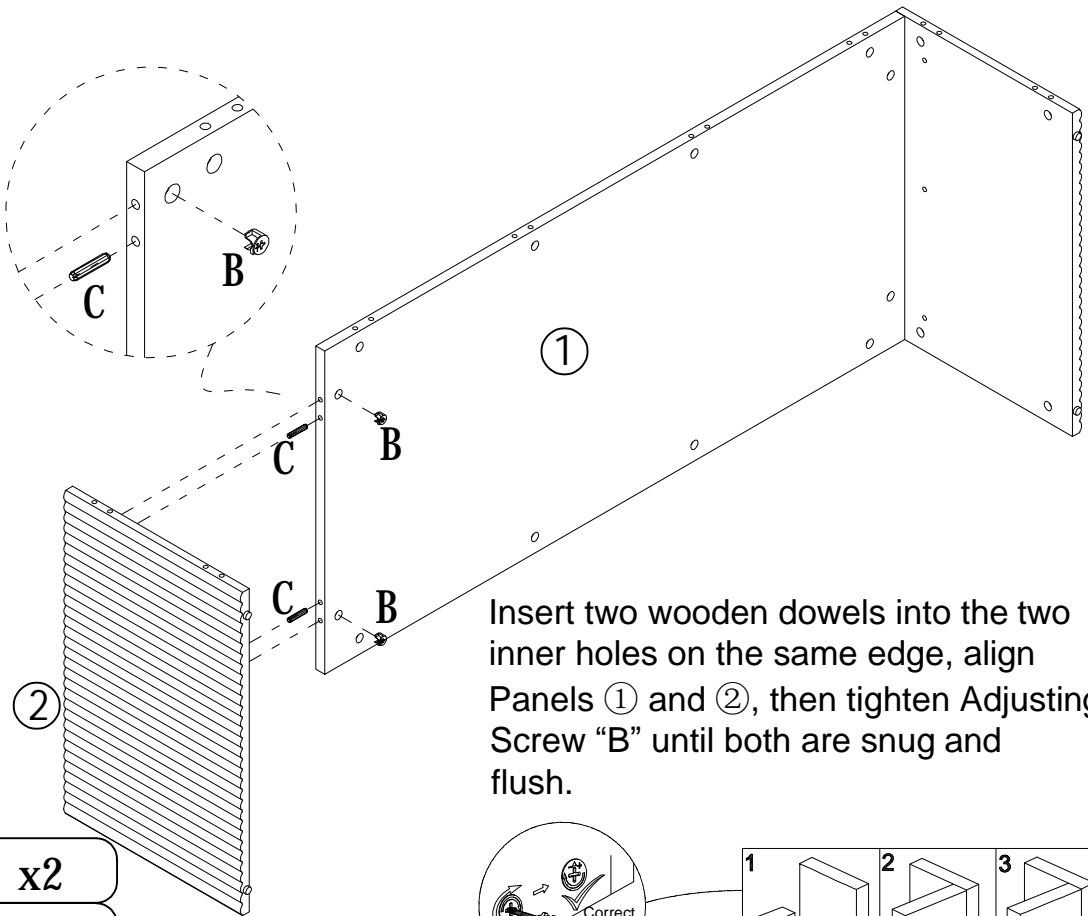
STEP:3





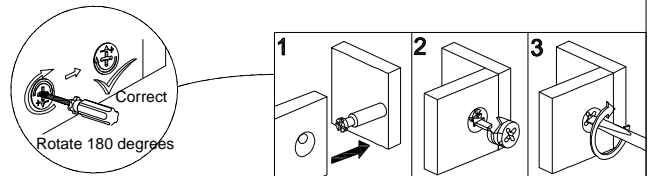
- B**  x2
- C**  x2



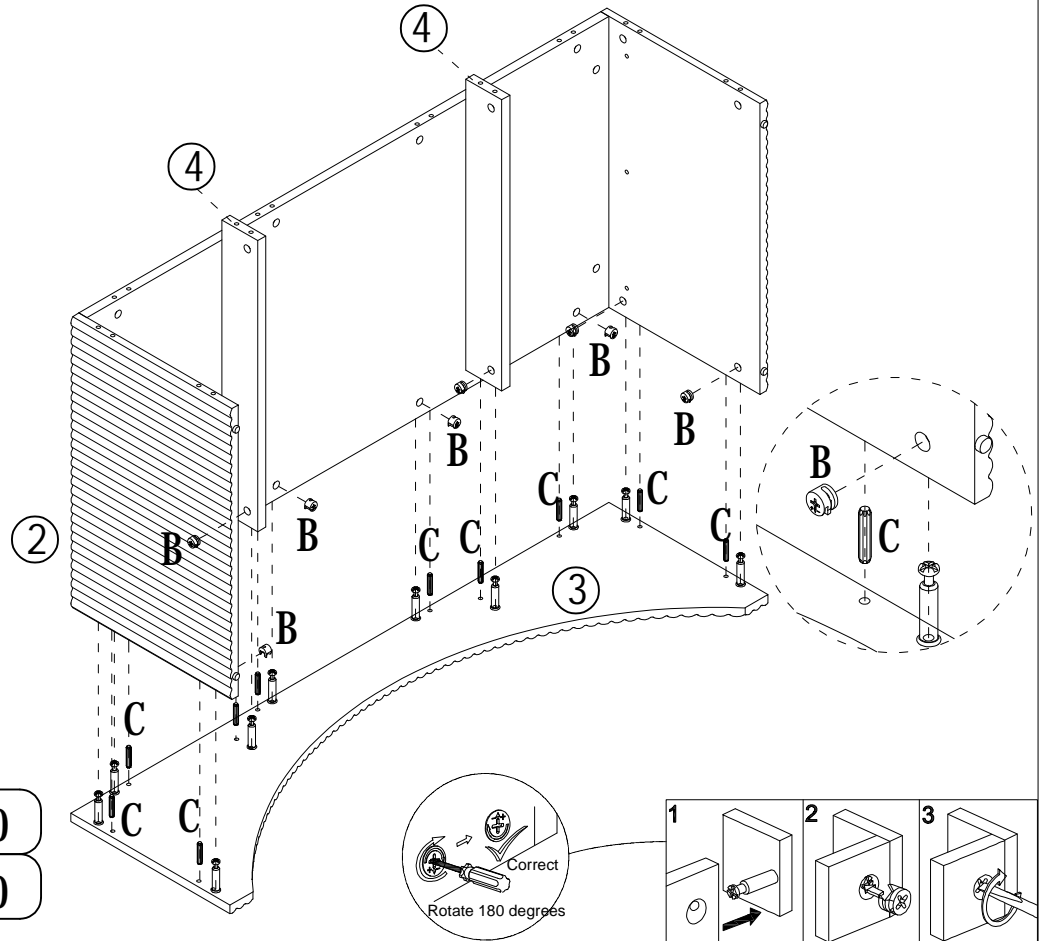
STEP:4



- B**  x2
- C**  x2

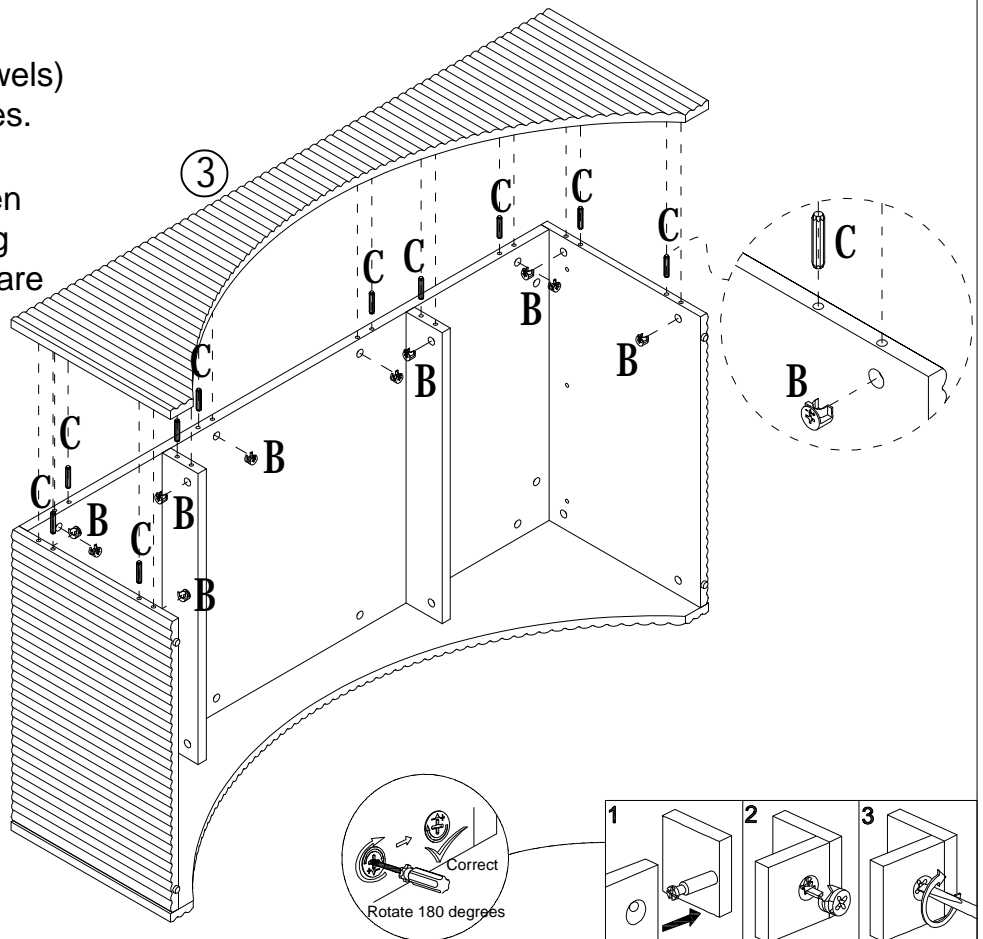


STEP:5

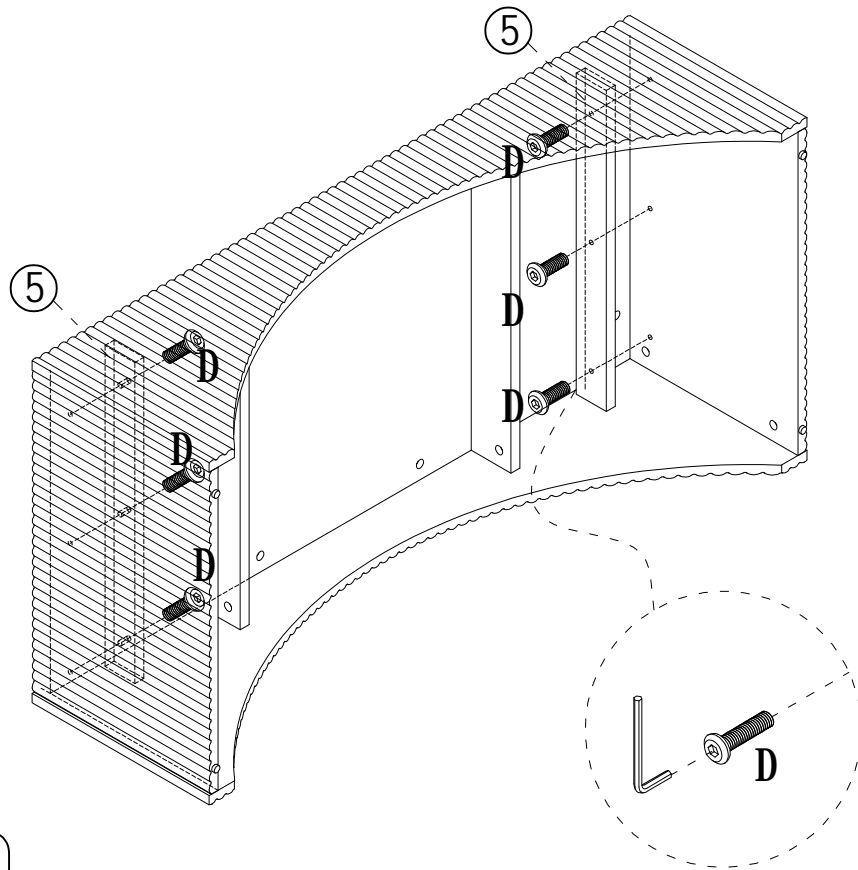


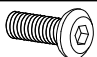
STEP:6

Insert wood plugs (dowels) into the remaining holes. Attach Panel ③ to the assembled panels, then tighten all "B" adjusting screws until the joints are snug and flush.



STEP:7



D  x6

STEP:8

Please carefully flip the product over

