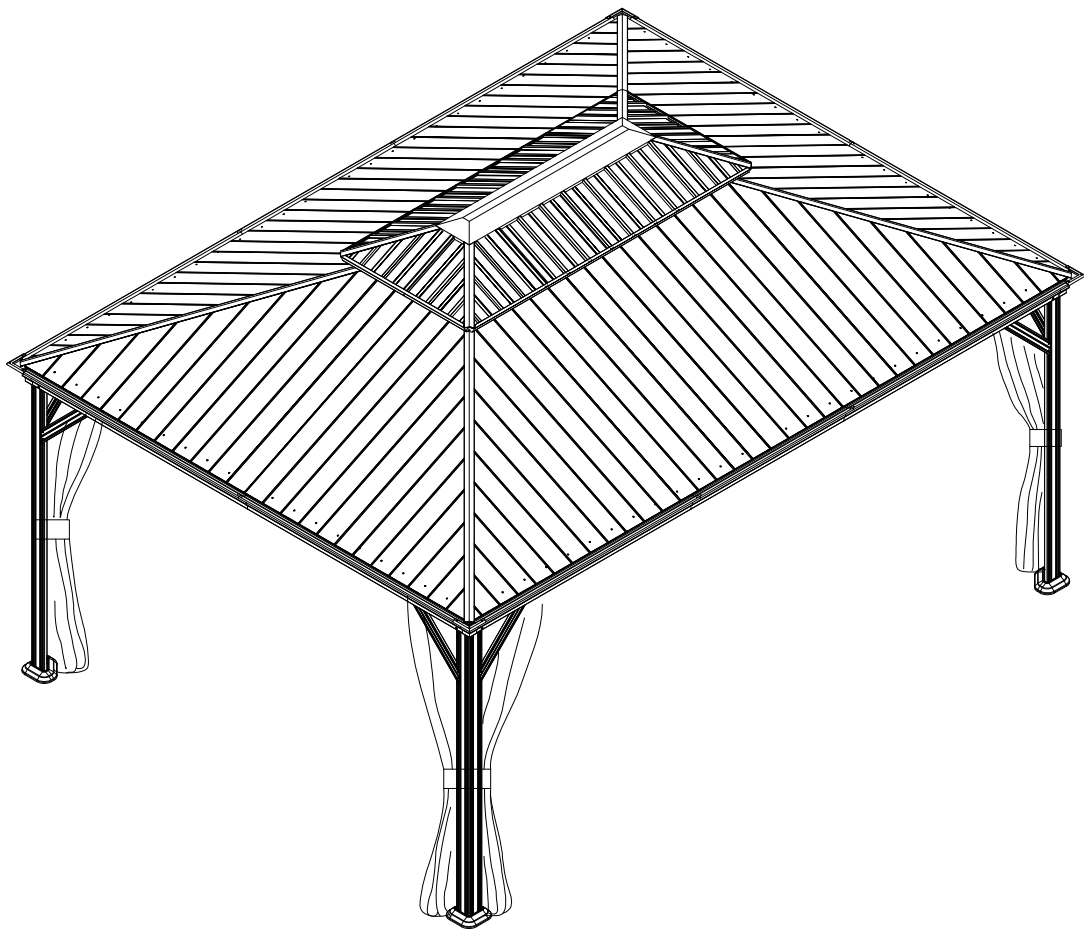




12'x16' Metal Patio Gazebo with Resin Roof **ASSEMBLY MANUAL**



MODEL#:LGMZ1719

Missing part? Damaged? Contact us via email at

service@domioutdoorliving.com

www.domioutdoorliving.com

Pre-assembly



1. Two or more people are required for assembly.



2. You will need one or more stepladders.



3. Wearing protective gloves is recommended.



4. You may need a safety hat.



5. Please use a Phillips screw driver.



6. For ease of construction, you may need a drill.



7. You may need a safety goggle.



8. Do not fully tighten screws prior to complete assembly.

Warning & Attention

-Try to assemble this product on the flat ground, otherwise it is difficult to carry out;

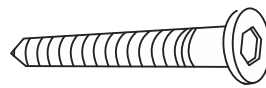
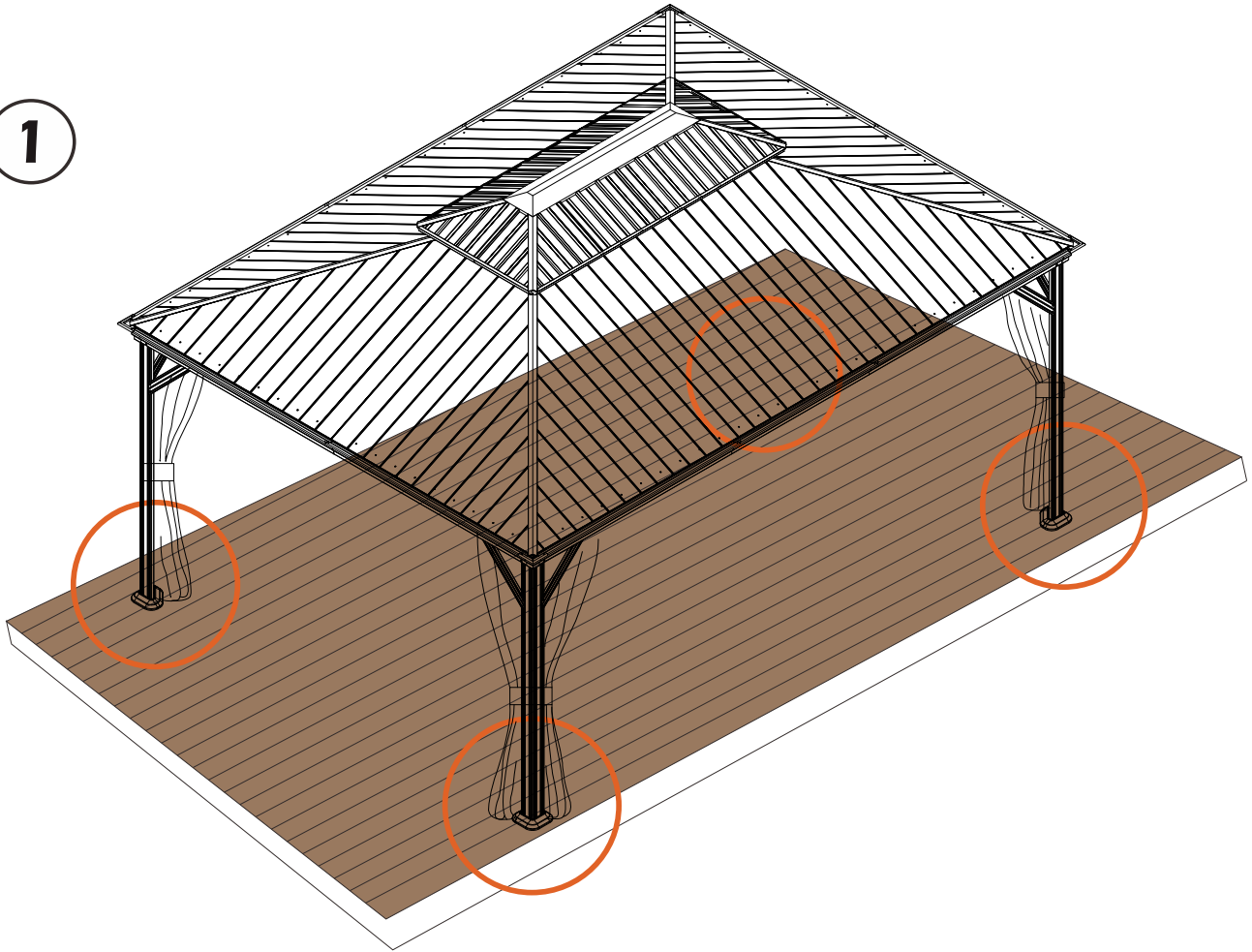
-It would be much easier to assemble the product with three or more people;

-After assembly, please check whether all screws are tightened, to prevent parts from falling apart.

▲ Use bolts to secure the frame to the ground to against the strong wind.

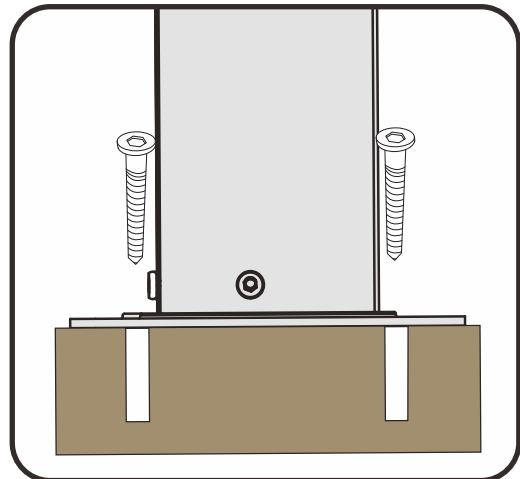
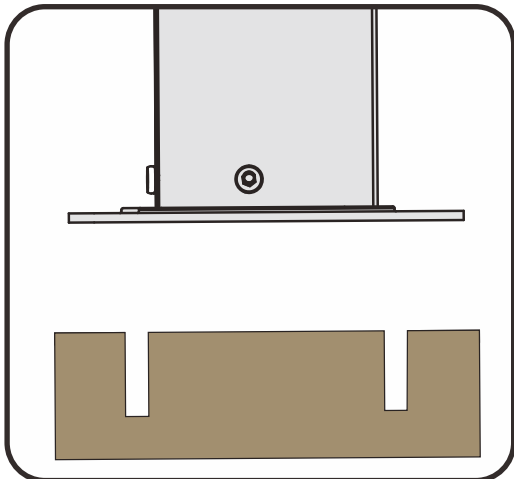
IMPORTANT: A gaze may entail to purchase a municipal permit or be subject to specific building codes. It is the consumer's responsibility to inform themselves of any restrictions.

1

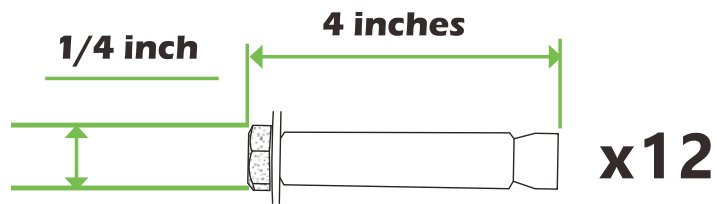
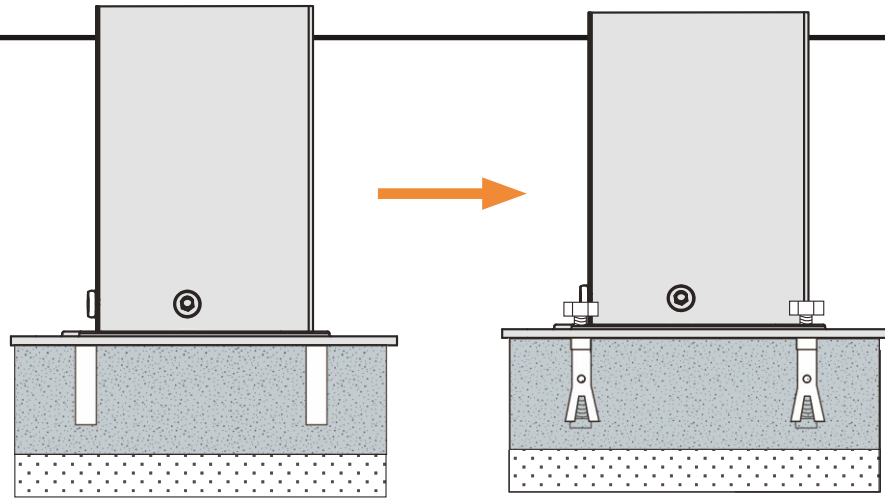


x12

If the deck is hard wood and the depth of it is over 3 inch, you can use **5/16 in. x4 in. Structural Wood Screw** to mount the gazebo.

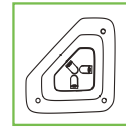
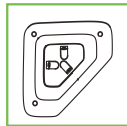


2



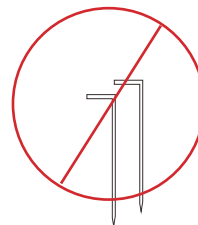
If the ground is concreted and the depth of it is over 3 inch, you can use 1/4 inch expansion bolts to mount the gazebo

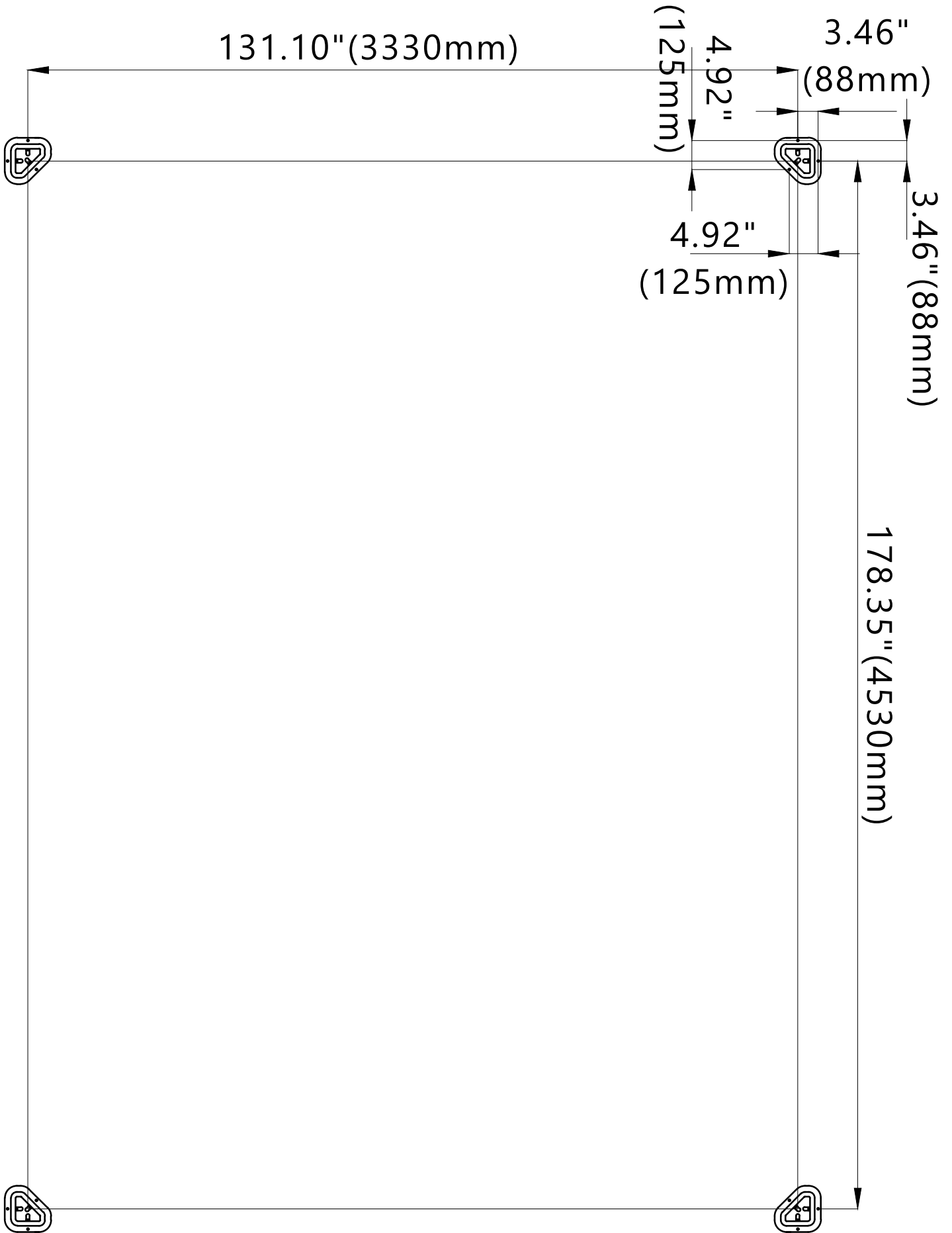
3

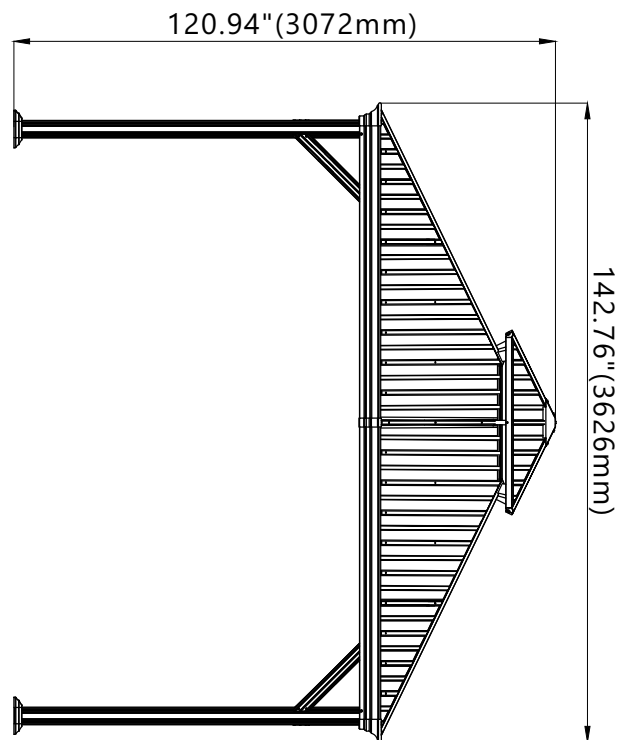
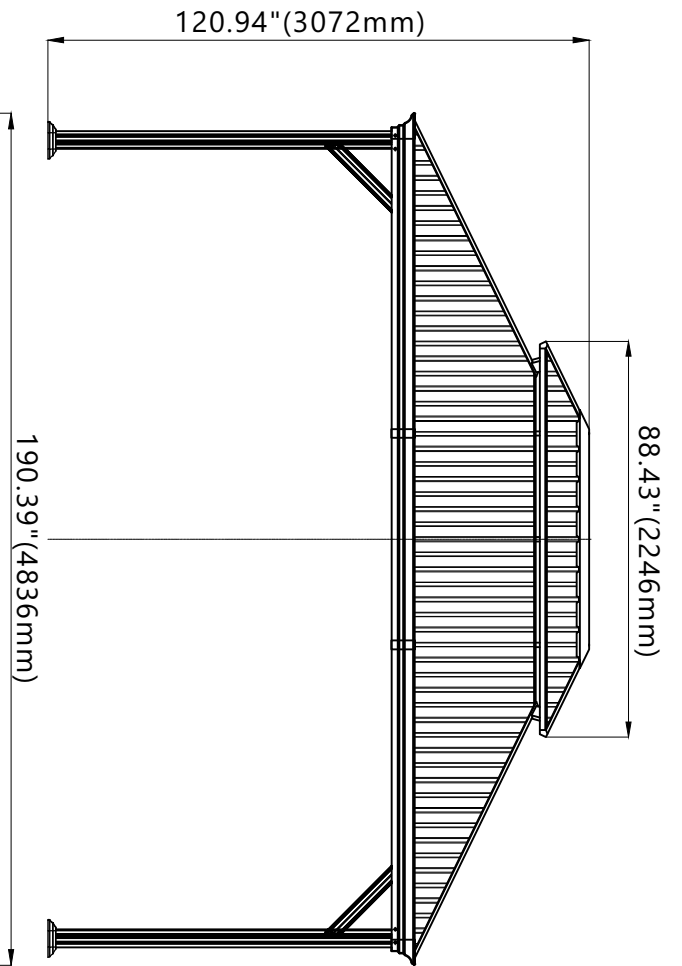
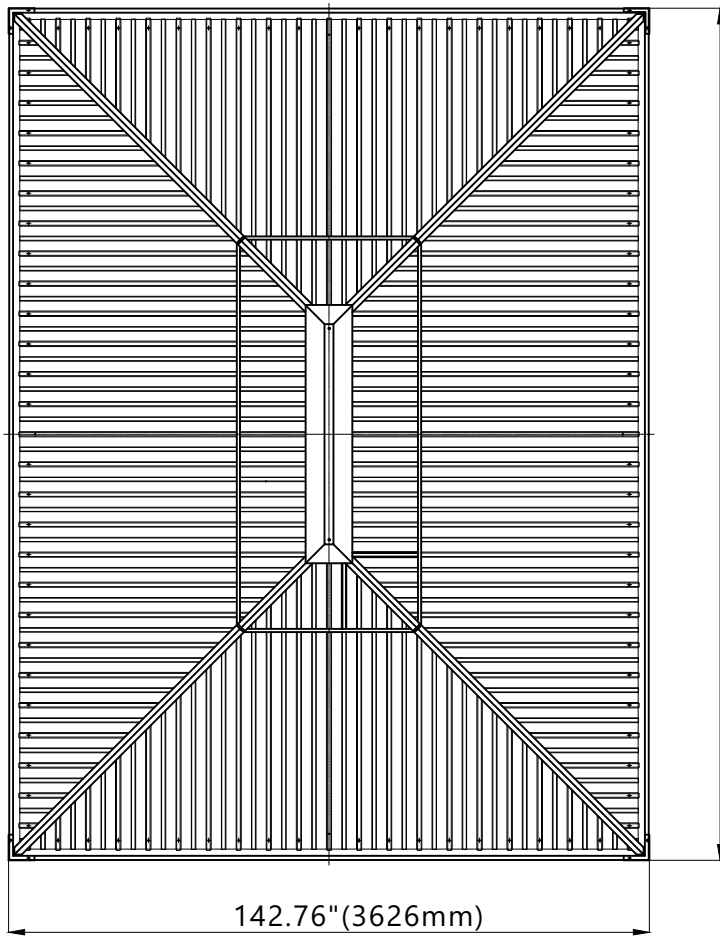


Or you can make a concrete footing for gazebo, **15×15×15 inches** is recommended. use expansion bolts to mount the pergola like ② shows.



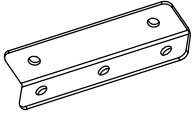


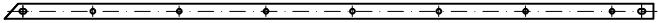


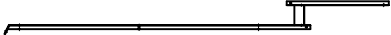
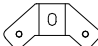

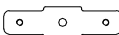

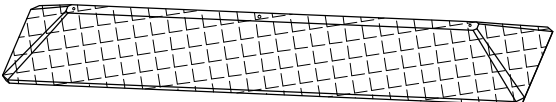

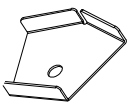
IMPORTANT:
Anchor is not recommended







 <p>Pole 2080MM A (x4)</p>	 <p>1465MM Outside Roof Cover E1 (x1)</p>
 <p>Beam 1715MM C (x2)</p>	 <p>Union Bar 600MM E (x6)</p>
 <p>Beam 1715MM C1 (x2)</p>	 <p>Corner Cover F (x4)</p>
 <p>Beam 1200MM C2 (x2)</p>	 <p>Joint Cover G (x6)</p>
 <p>Beam 1715MM C3 (x2)</p>	 <p>Silicone Sealant H (x1)</p>
 <p>Beam 1715MM C4 (x2)</p>	 <p>592MM Corner Solidifying Bar I1 (x4)</p>
 <p>Track 1583MM D (x4)</p>	 <p>592MM Corner Solidifying Bar I2 (x4)</p>
 <p>Track 1583MM D1 (x4)</p>	 <p>1389MM Inside Roof Cover J (x1)</p>
 <p>Track 1198MM D2 (x2)</p>	 <p>Base K (x4)</p>

 <p>Base Cover</p> <p>K1 (x4)</p>	 <p>1021MM</p> <p>Finishing Bar</p> <p>T (x2)</p>
 <p>Bracket</p> <p>K2 (x8)</p>	 <p>2220MM</p> <p>Finishing Bar</p> <p>T1 (x2)</p>
 <p>690MM</p> <p>Corner Roof Tube Connector</p> <p>M (x4)</p>	 <p>1085MM</p> <p>Solidifying Bar</p> <p>U (x8)</p>
 <p>2130MM</p> <p>Corner Roof Tube</p> <p>M1 (x4)</p>	 <p>1158MM</p> <p>Solidifying Bar</p> <p>U2 (x2)</p>
 <p>1927MM</p> <p>Roof Tube</p> <p>N (x4)</p>	 <p>Bracket</p> <p>U3 (x4)</p>
 <p>1927MM</p> <p>Roof Tube</p> <p>N1 (x4)</p>	 <p>Bracket</p> <p>U4 (x6)</p>
 <p>740MM</p> <p>Finishing Bar</p> <p>P (x2)</p>	 <p>Small Mesh</p> <p>O (x1)</p>
 <p>1940MM</p> <p>Finishing Bar</p> <p>P1 (x2)</p>	
 <p>Finishing End</p> <p>Q (x8)</p>	



Plastic Bar

1800MM

O1 (x2)



Plastic Bar

620MM

O2 (x2)



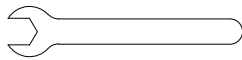
J-Hook

R1 (x3)



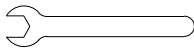
Allen Key

x1



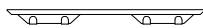
Wrench

x1



Wrench

x1



Plastic Clips

Z (x12)



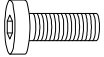

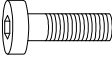
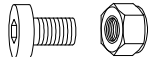
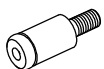
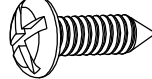

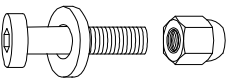
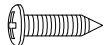
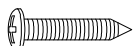
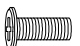

Plastic Clips

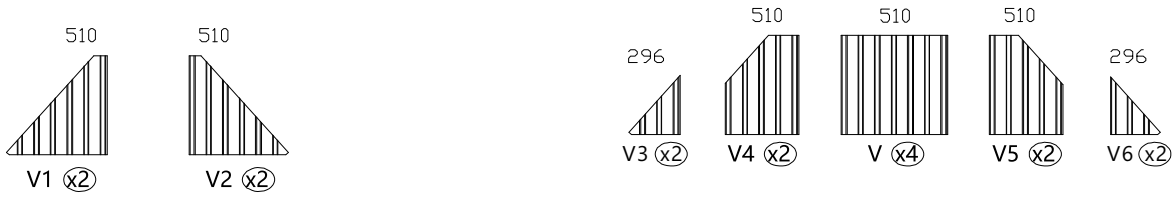
Z1 (x4)



Plastic Clips

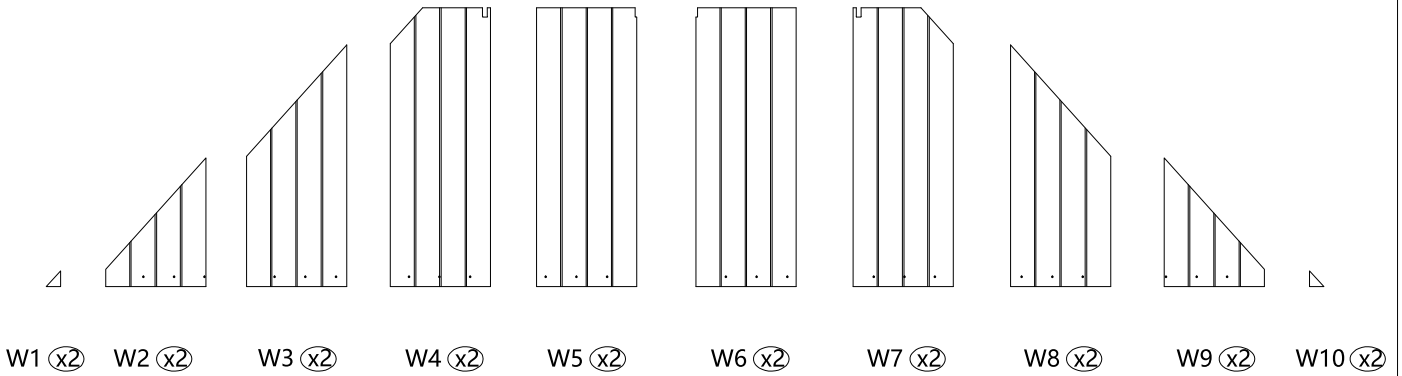
Z2 (x4)

 <p>M6x16</p> <p>1# x226</p>	 <p>4x12</p> <p>10# x16</p>
 <p>M6x20</p> <p>2# x24</p>	 <p>M6x12</p> <p>11# x12</p>
 <p>3# x16</p>	 <p>ST6.3*15</p> <p>12# x20</p>
 <p>Plastic Hooks</p> <p>4# x128</p>	
 <p>M6x28</p> <p>5# x84</p>	
 <p>ST4.8x30</p> <p>6# x48</p>	
 <p>ST4.8x35</p> <p>7# x72</p>	
 <p>M5x16</p> <p>8# x6</p>	
 <p>ST4.8x13</p> <p>9# x28</p>	

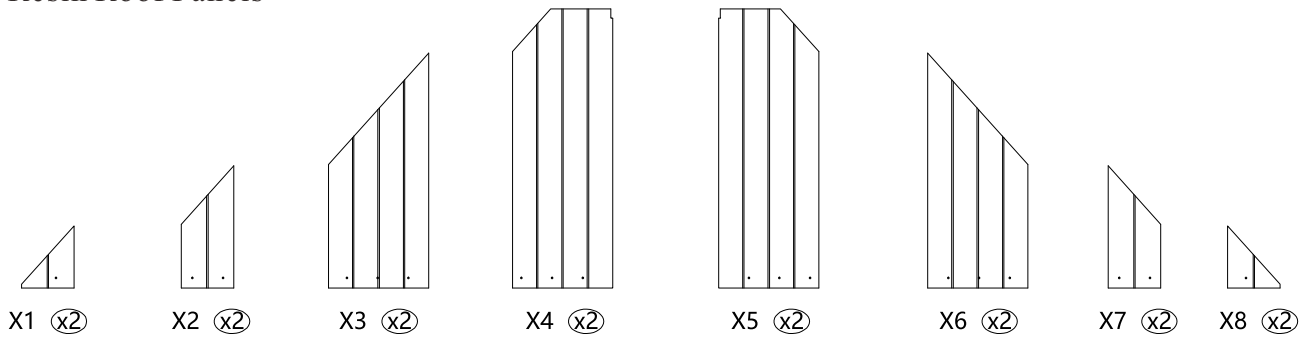


Metal Roof Panels

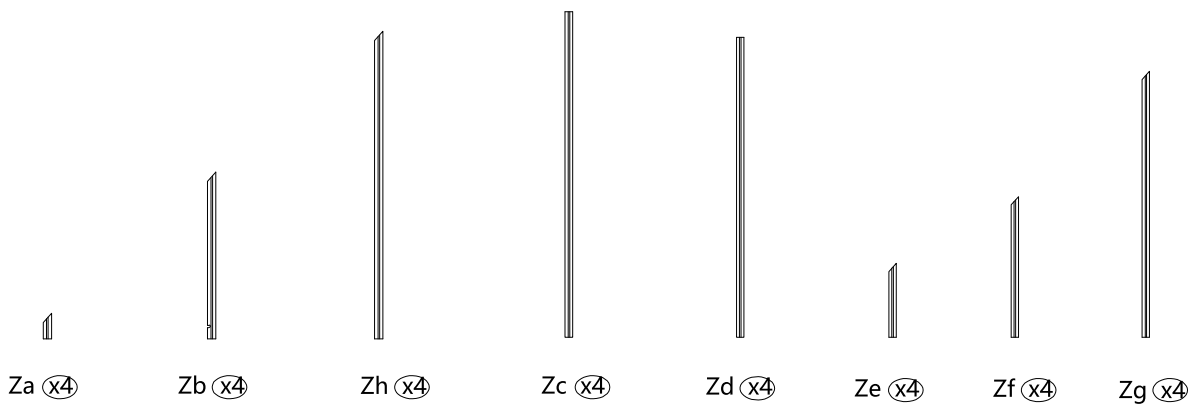
Resin Roof Panels



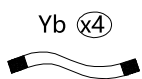
Resin Roof Panels



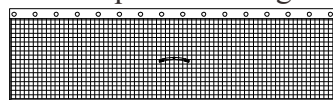
Connecting Rods



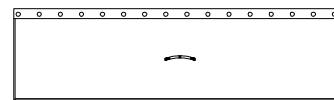
Strap



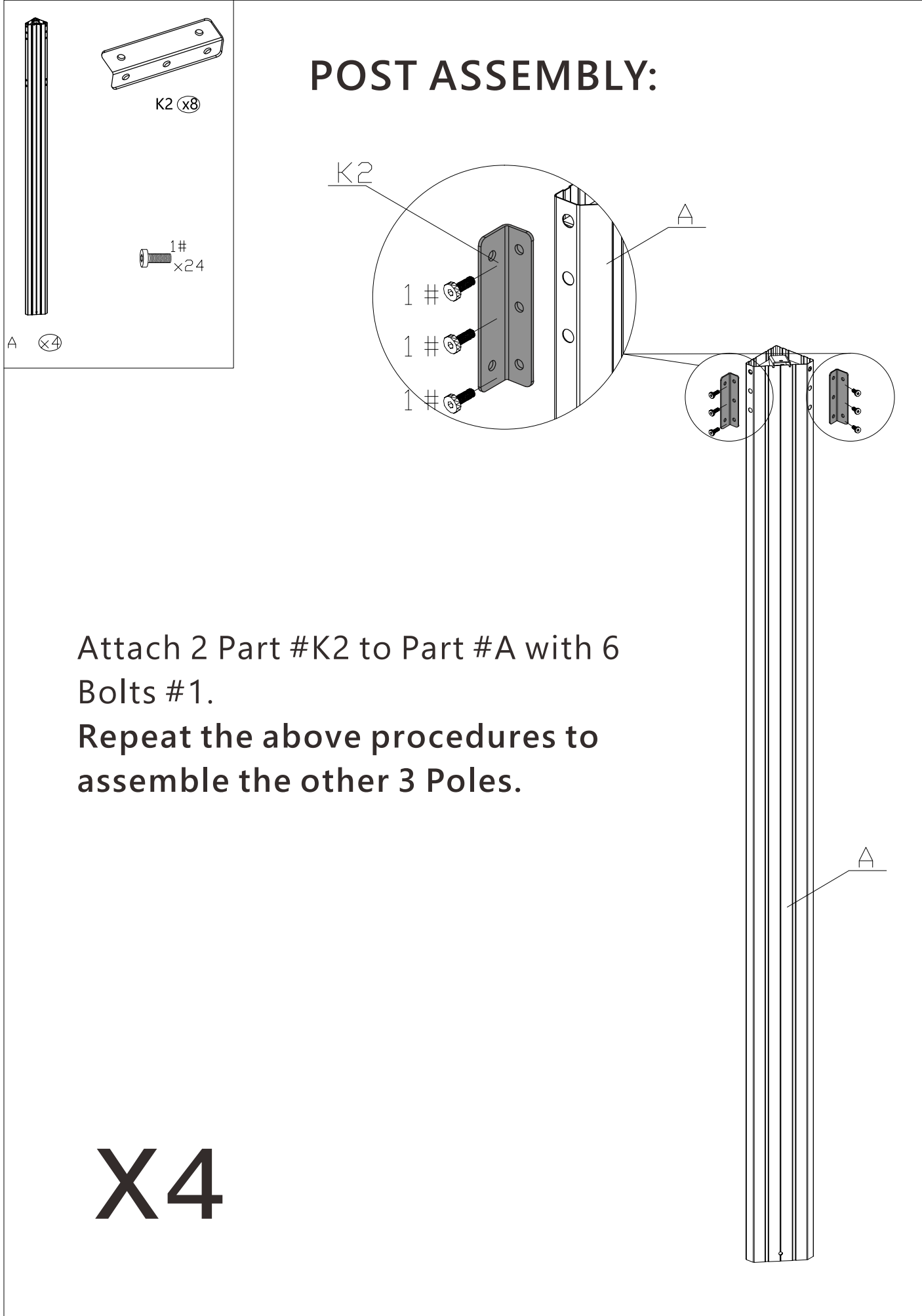
Mosquito Netting



Curtain



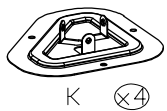
POST ASSEMBLY:



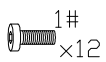
Attach 2 Part #K2 to Part #A with 6 Bolts #1.

Repeat the above procedures to assemble the other 3 Poles.

X4



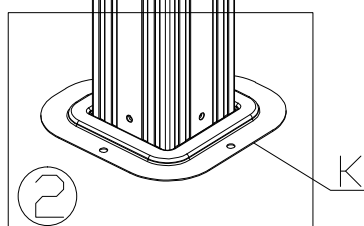
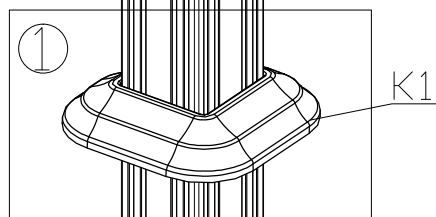
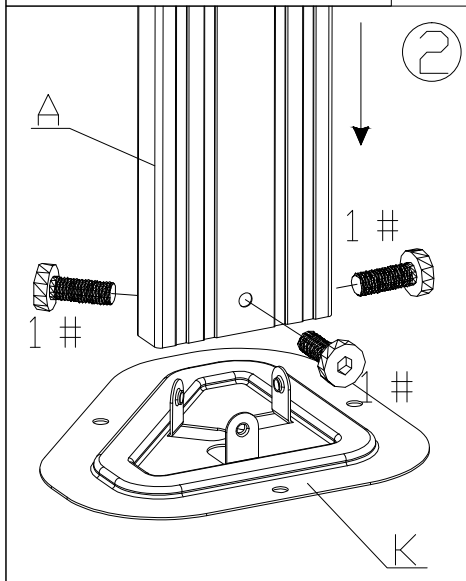
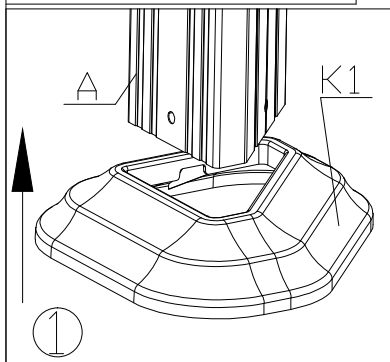
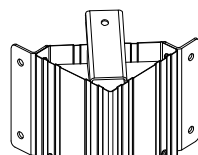
(1) Put on Base Cover #K1 first ;



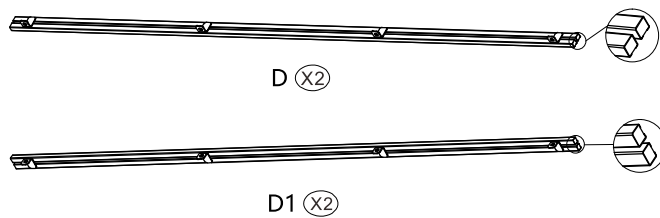
(2) Attach Base #K to Pole #A with 3 Bolts #1.



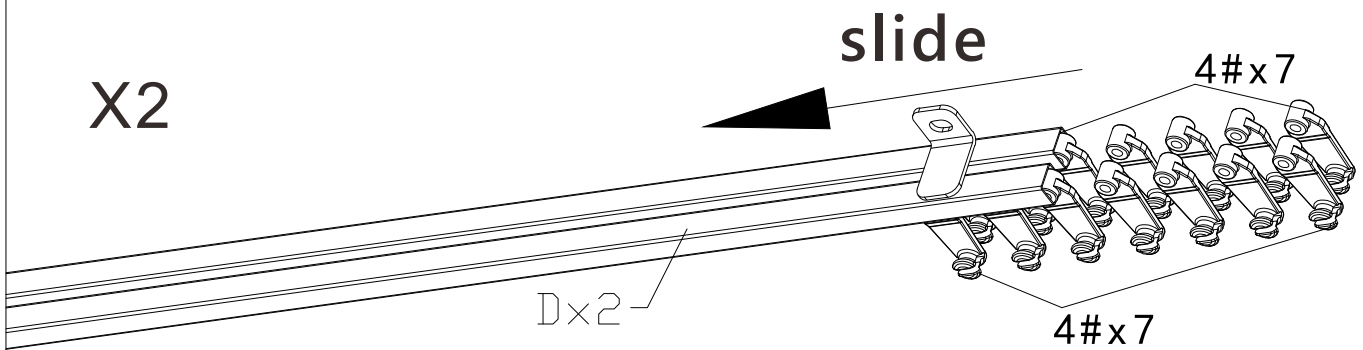
K1 (4)



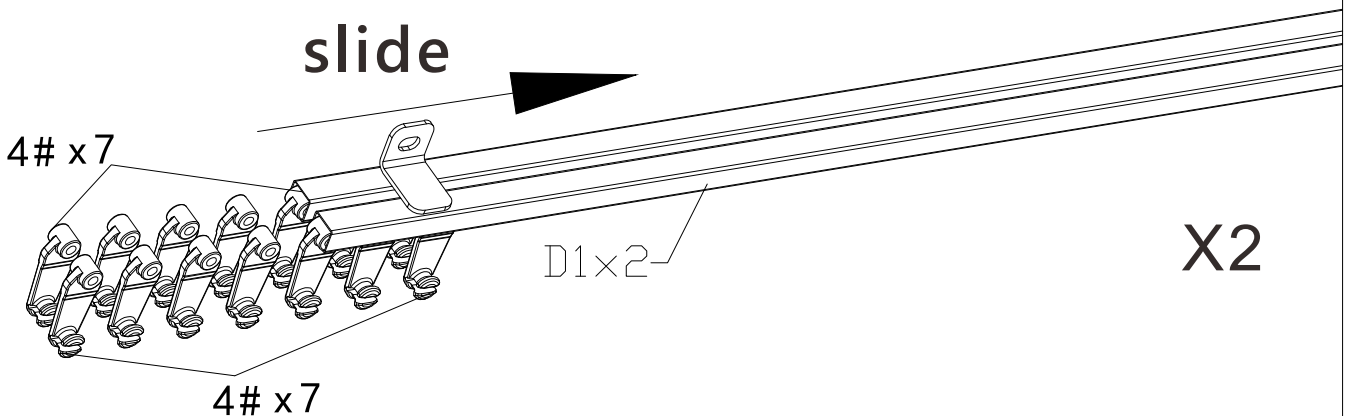
X4

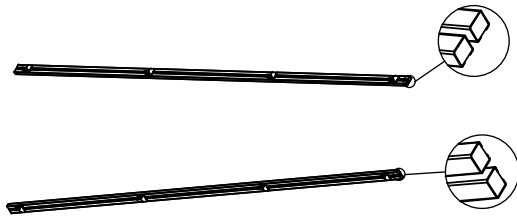


- (1) Slide the Plastic Hooks #4 to the double-rail track #D (each slot should slide 7 plastic hooks).
- (2) Repeat the above procedures for the other track D.



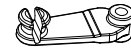
- (1) Slide the Plastic Hooks #4 to the double-rail track #D1 (each slot should slide 7 plastic hooks).
- (2) Repeat the above procedures for the other track D1.





D (x2)

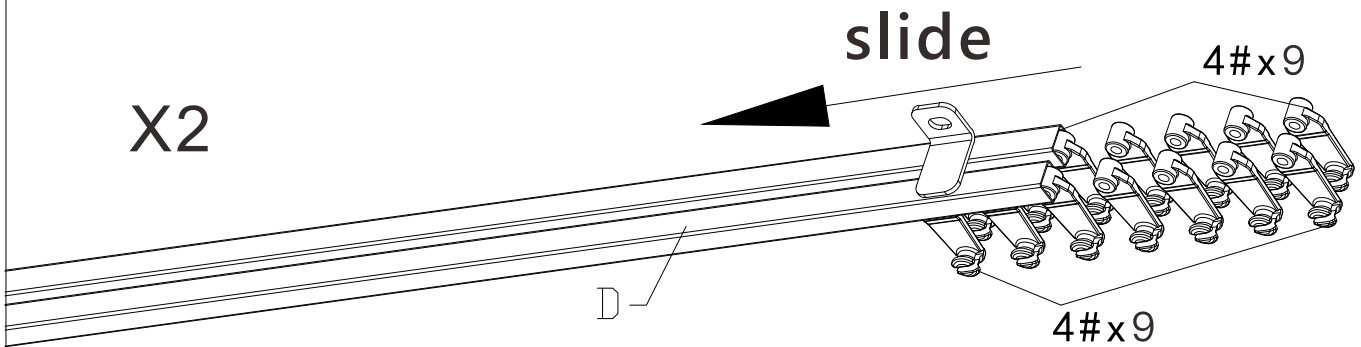
D1 (x2)



4#
x72

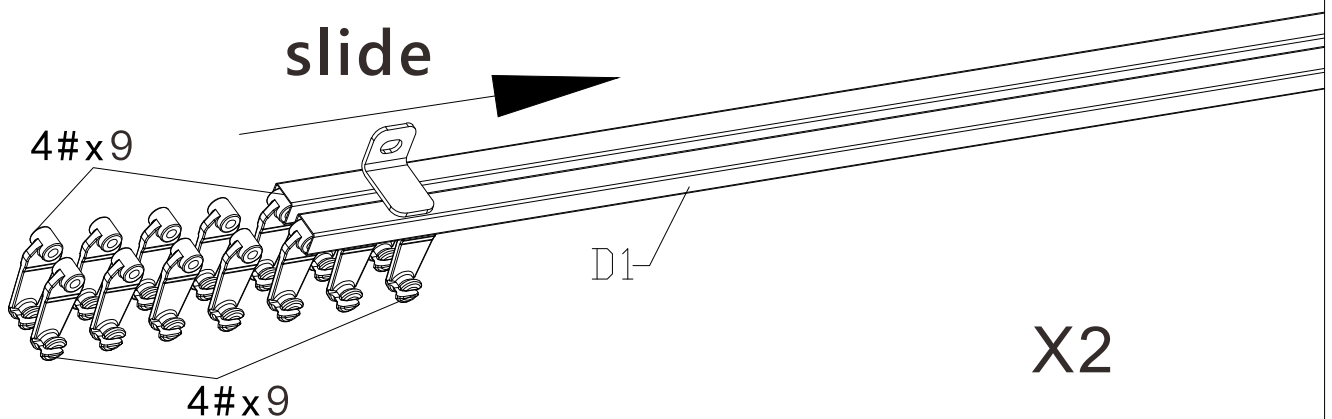
(1) Slide the Plastic Hooks #4 to the double-rail track #D (each slot should slide 9 plastic hooks).

(2) Repeat the above procedures for the other track D.



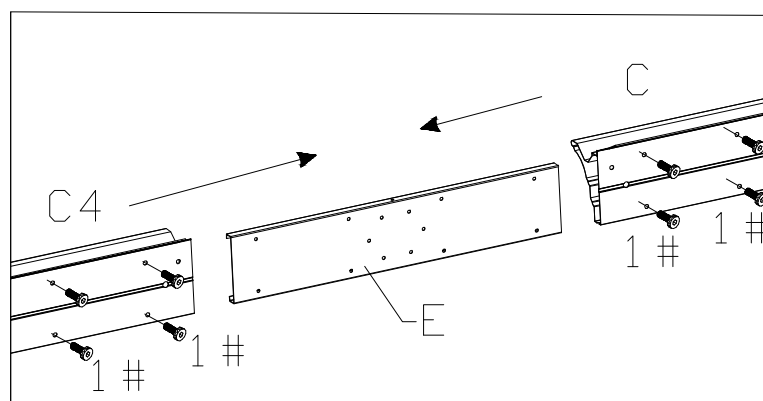
(1) Slide the Plastic Hooks #4 to the double-rail track #D1 (each slot should slide 9 plastic hooks).

(2) Repeat the above procedures for the other track D1.



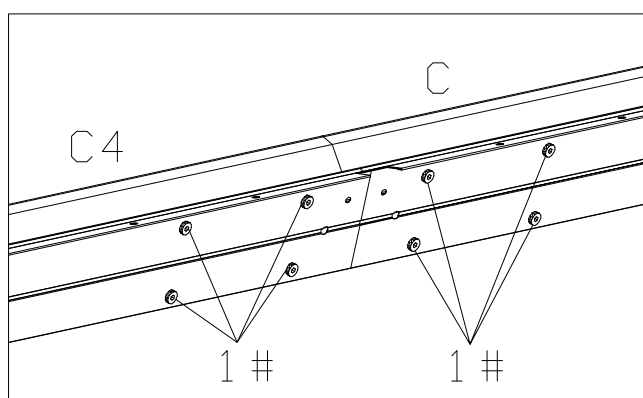


BEAM ASSEMBLY:

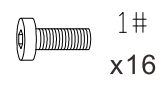
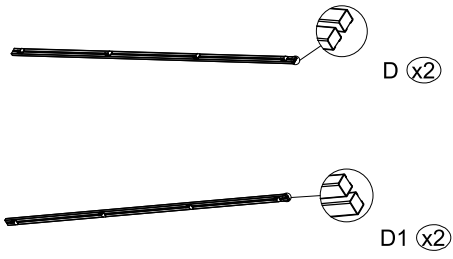


- (1) Insert Part #E into Part #C4, and secure with 4 Bolts #1.
- (2) Insert the other side of Part #E into Part #C and secure with 4 Bolts #1.

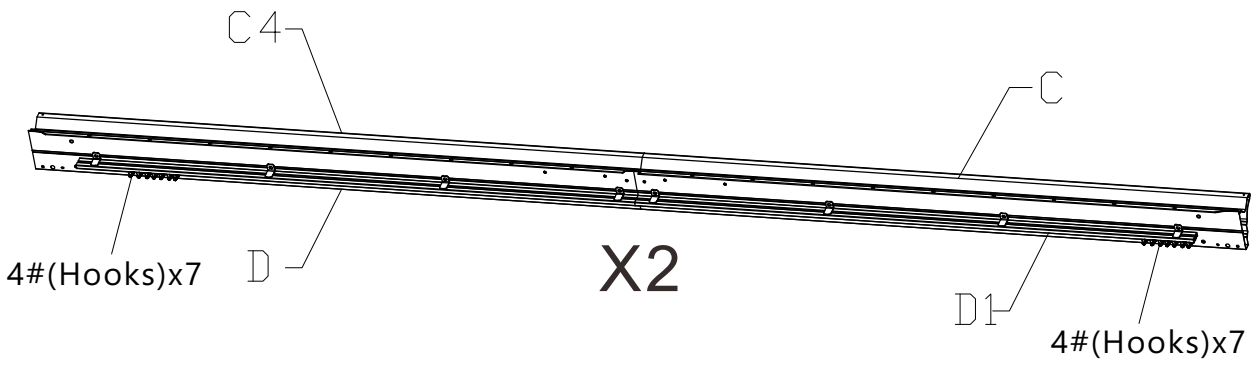
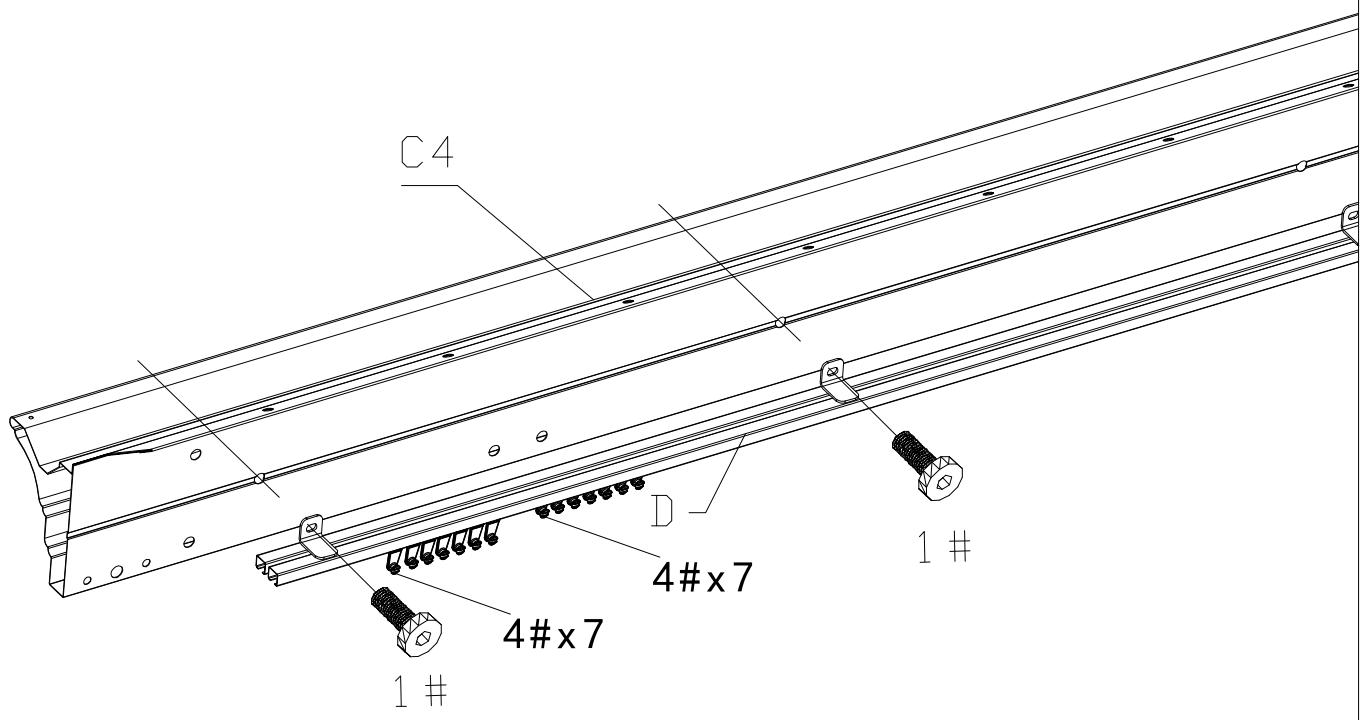
Repeat the above procedures to assemble the other Part#C4 and #C.

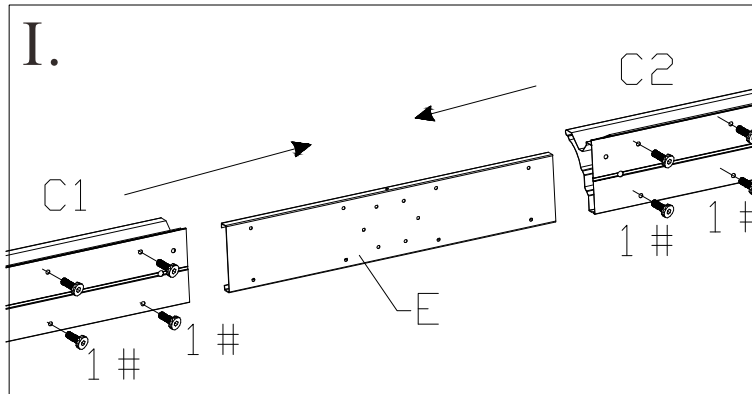
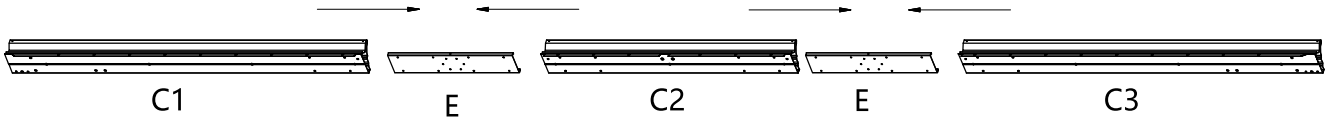


TIPS: It's a normal situation that there's a gap between the 2 beams, please use silicone sealant (part #H) and Joint Cover #G to affix the gap. (See P8)

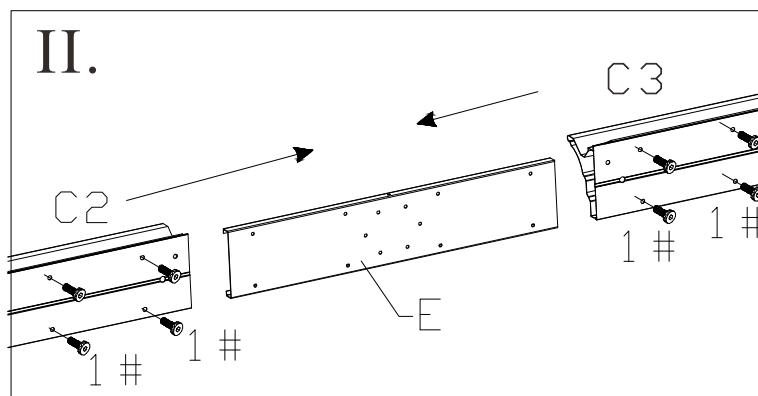


(1) Use 8 Bolts #1 to fix the track D & D1 to the beam C4 & C .
Repeat the above procedures for another beam C4 & C .

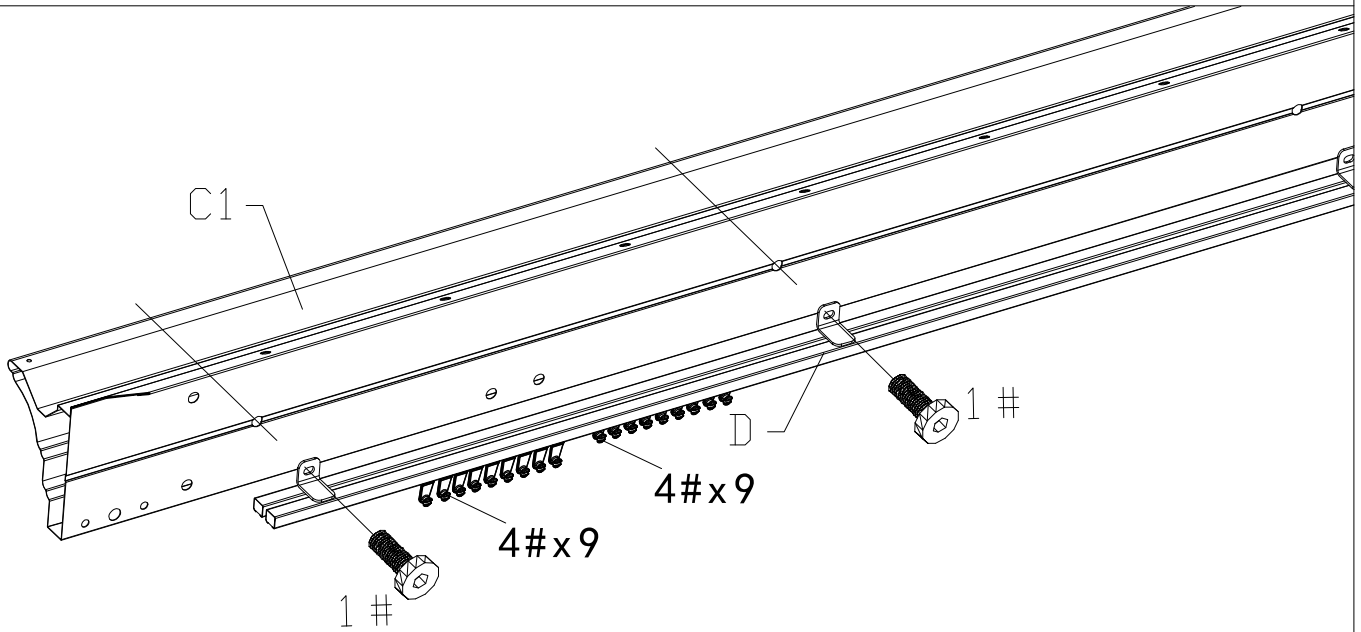
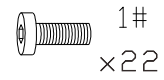
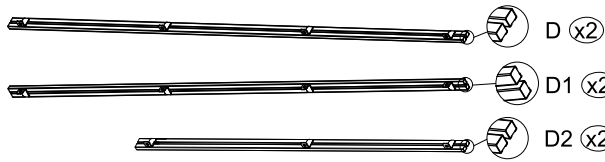




- (1) Insert Part #E into Part #C1, and secure with 4 Bolts #1.
- (2) Insert the other side of Part #E into Part #C2 and secure with 4 Bolts #1.

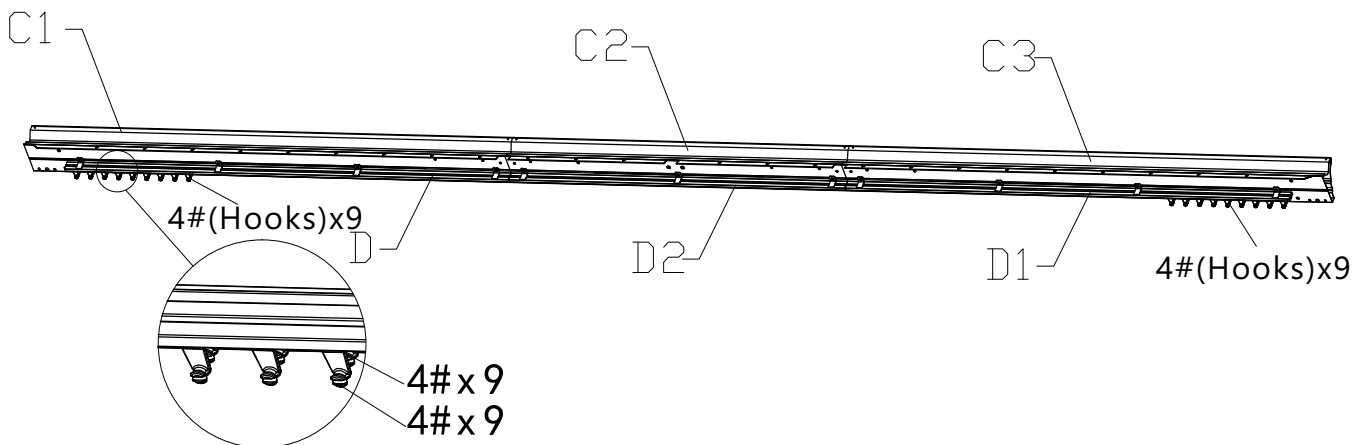


- (3) Insert Part #E into Part #C2, and secure with 4 Bolts #1.
 - (4) Insert the other side of Part #E into Part #C3 and secure with 4 Bolts #1.
- Repeat the above procedures to assemble the other Part#C1, C2 & C3.



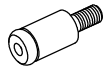
(1) Use 11 Bolts #1 to fix the track D, D2 & D1 to the beam C1, C2 & C3.

Repeat the above procedures to assemble the other Part# C1, C2 & C3.





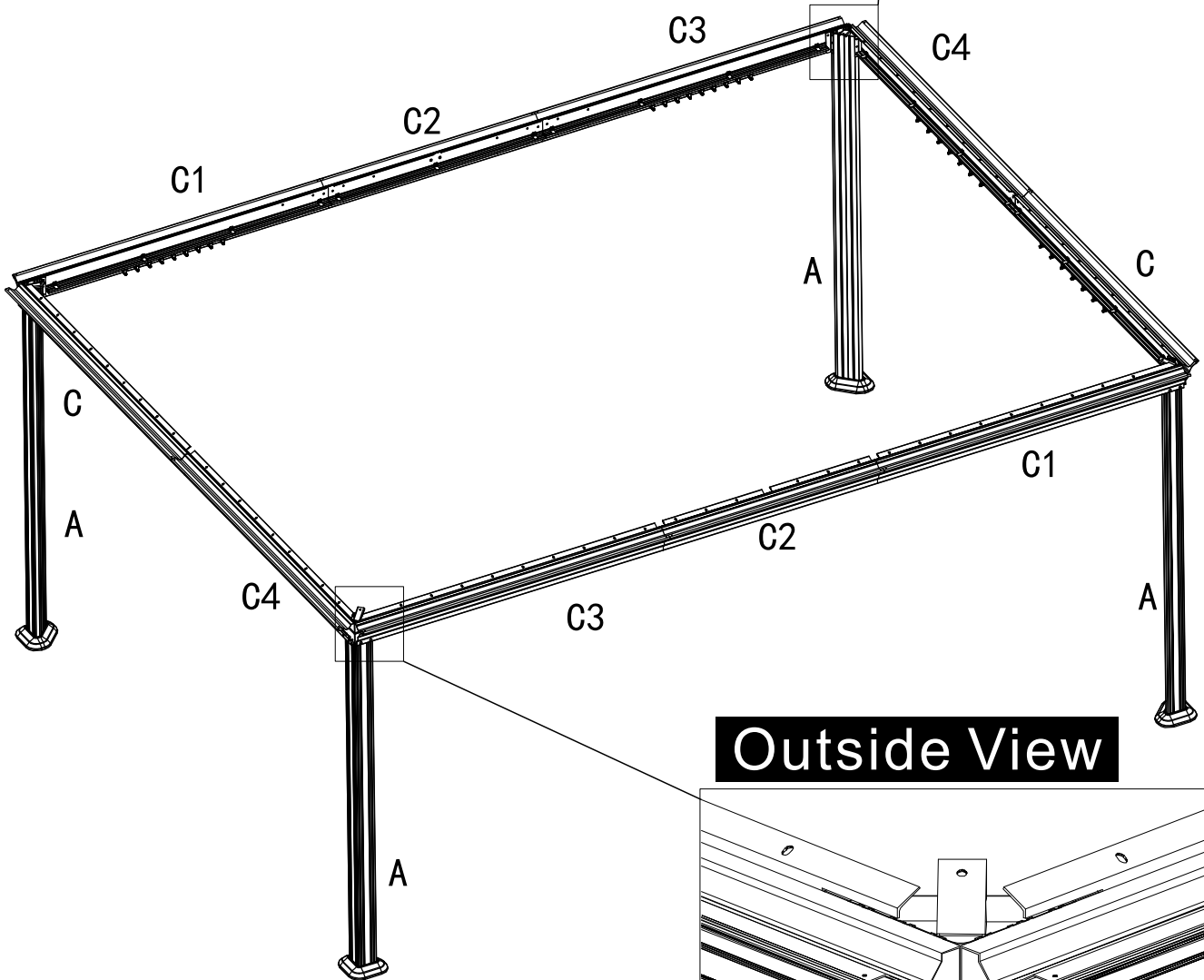
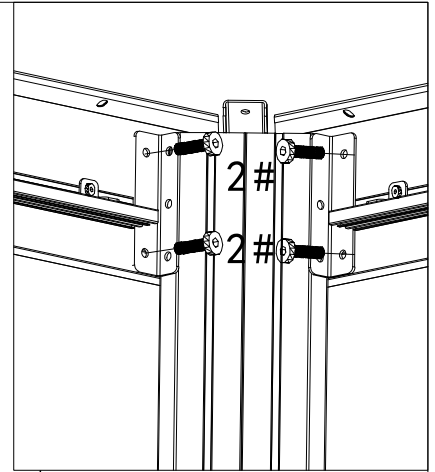
2#
x16



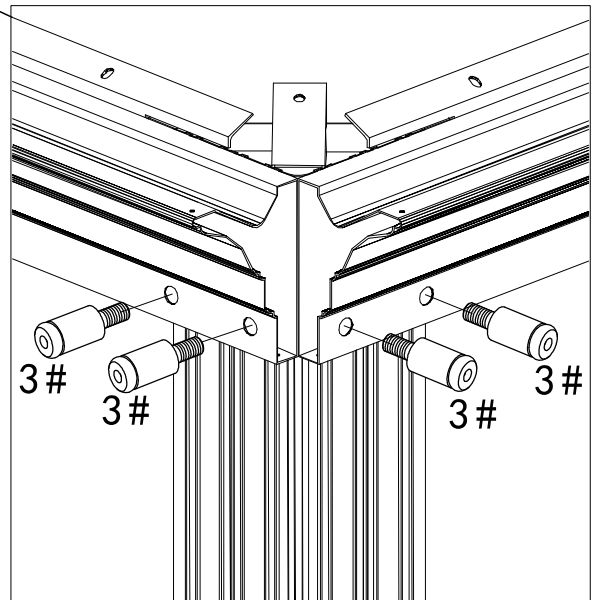
3#
x16

FRAME ASSEMBLY:

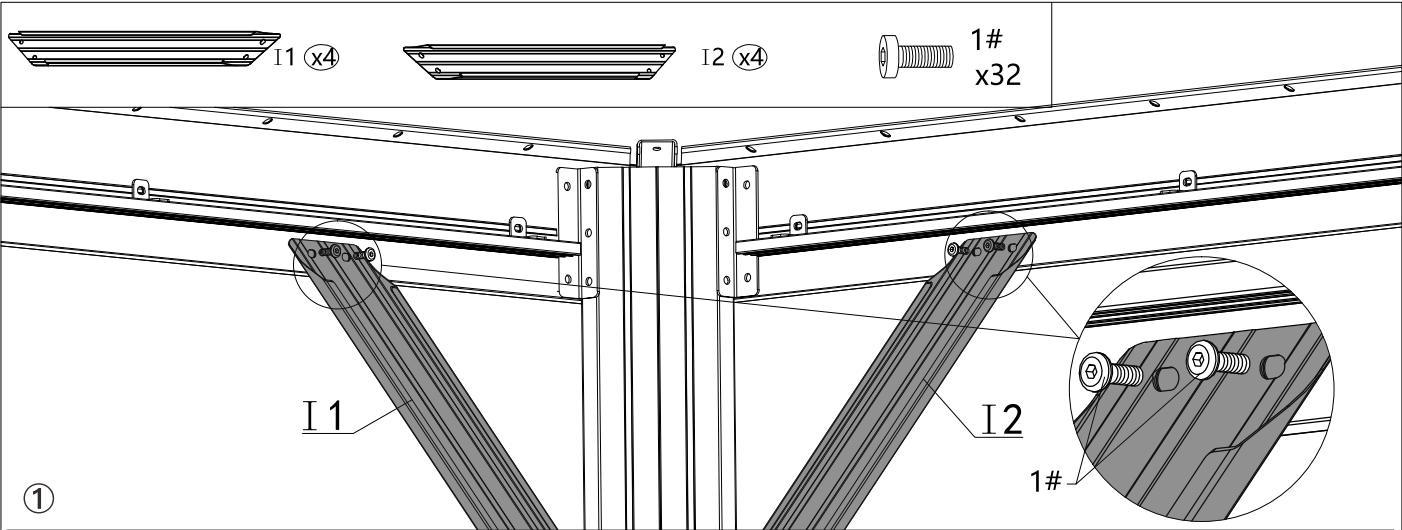
Inside View



Outside View

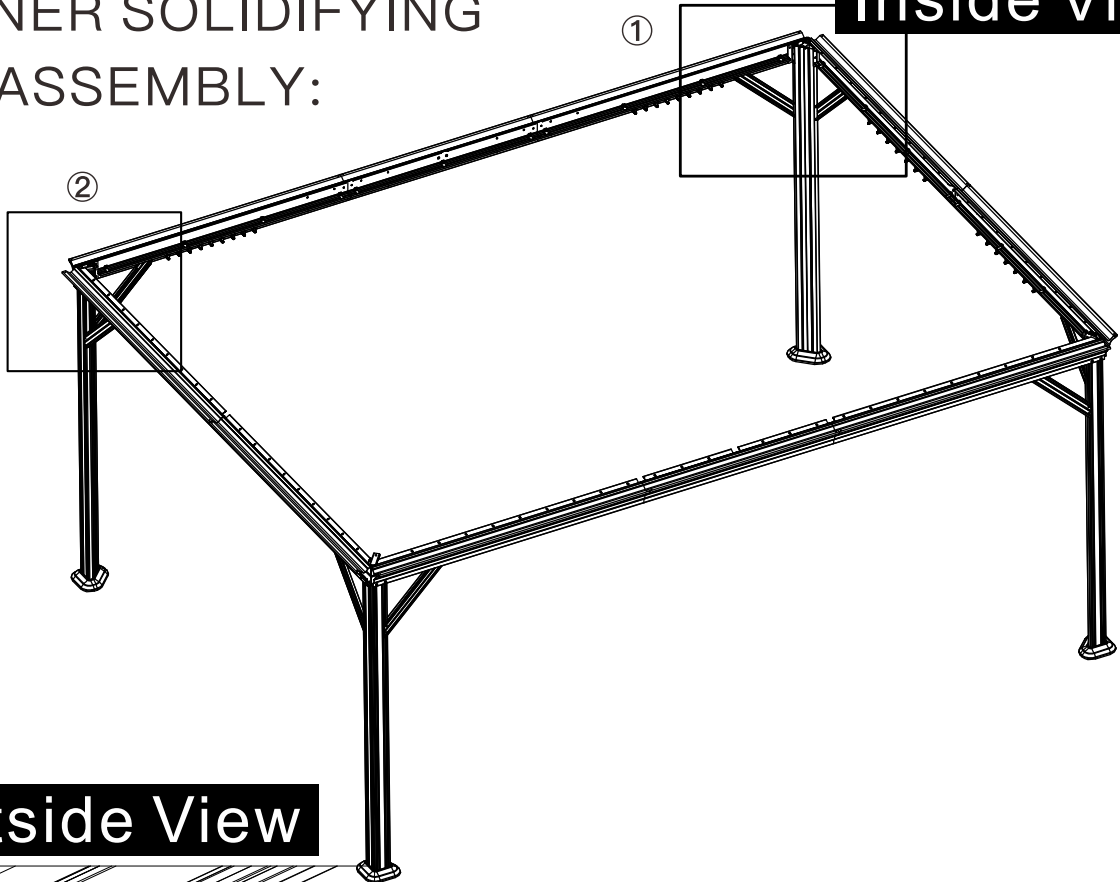


Please don't tighten
all bolts.

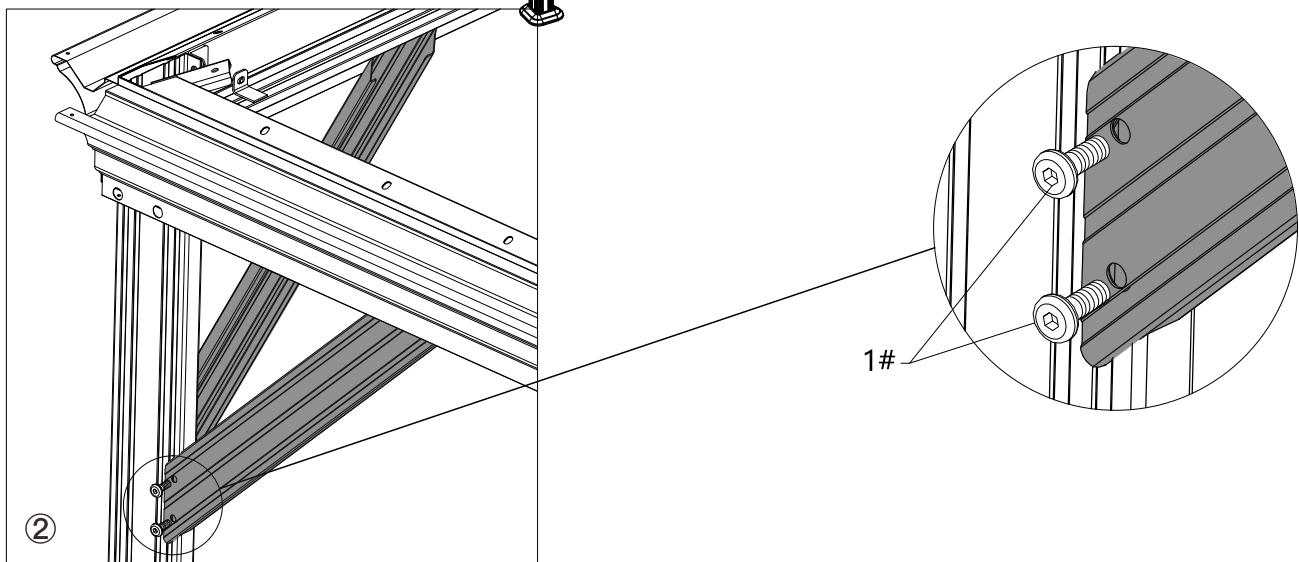


CORNER SOLIDIFYING
BAR ASSEMBLY:

Inside View



Outside View





F (x4)



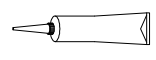
G (x6)



8#
x6

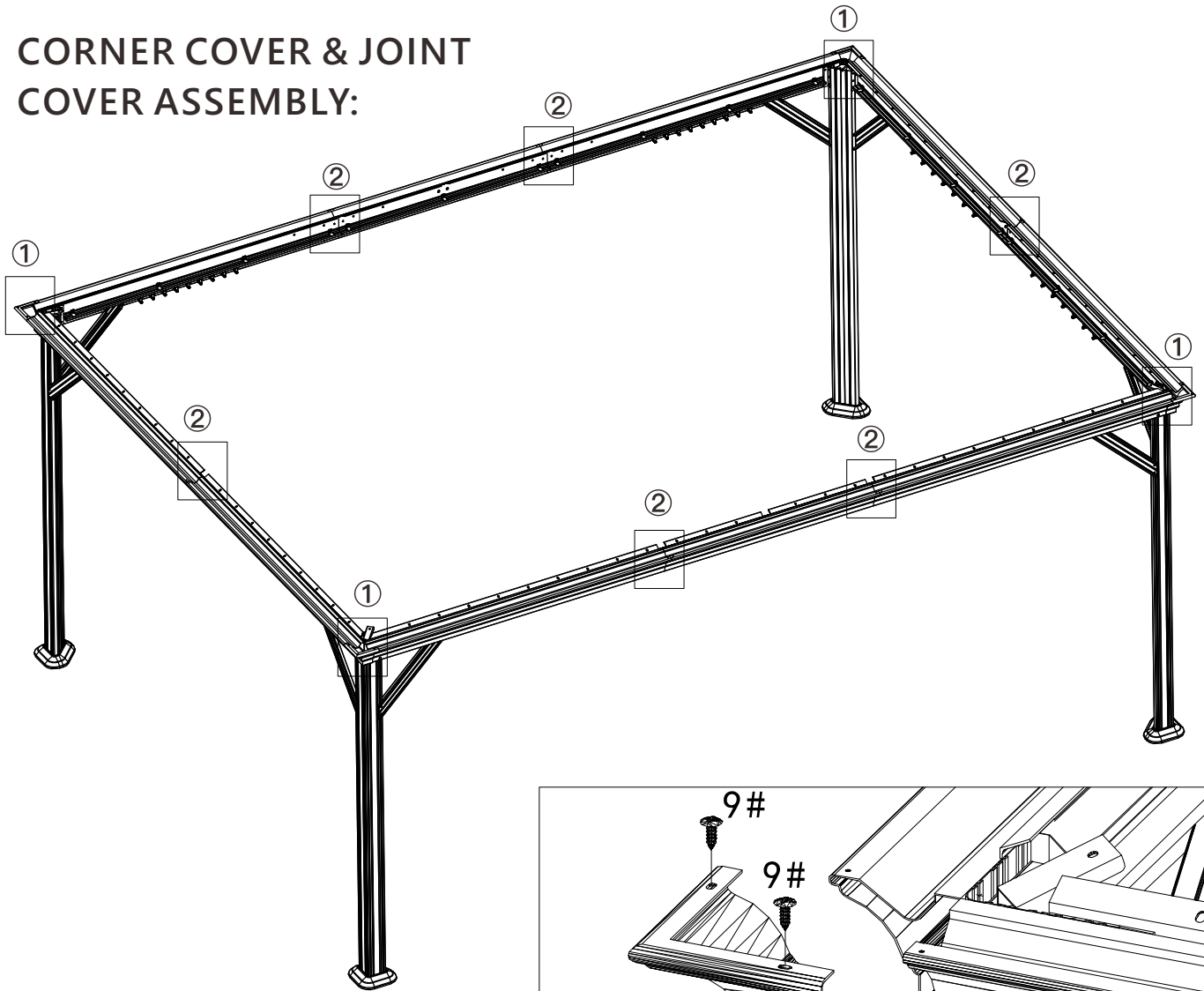


9#
x28

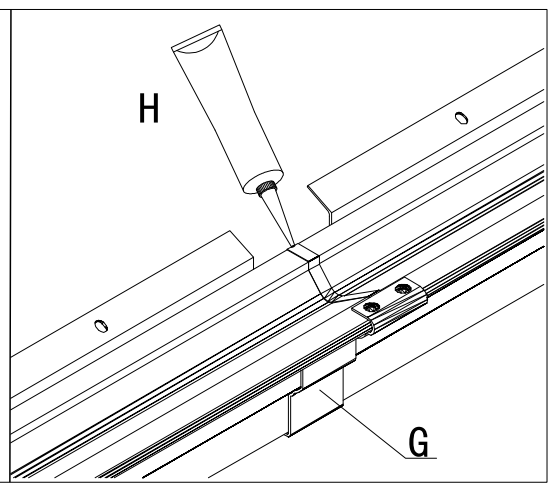
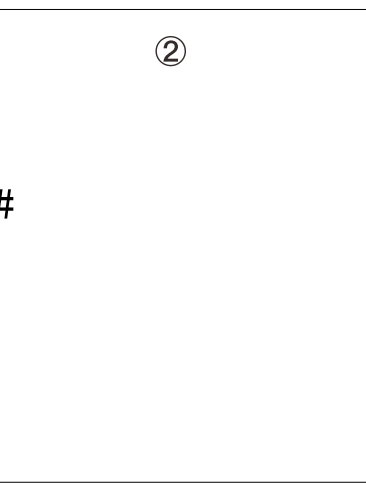
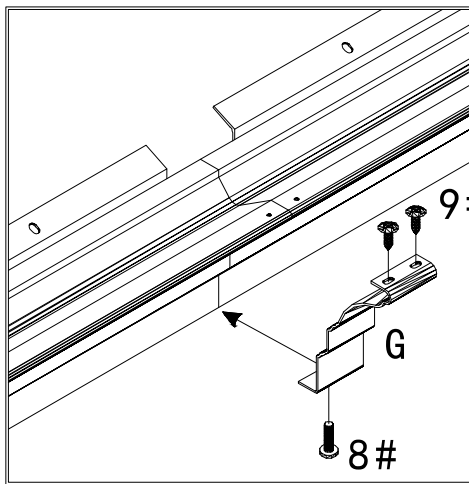
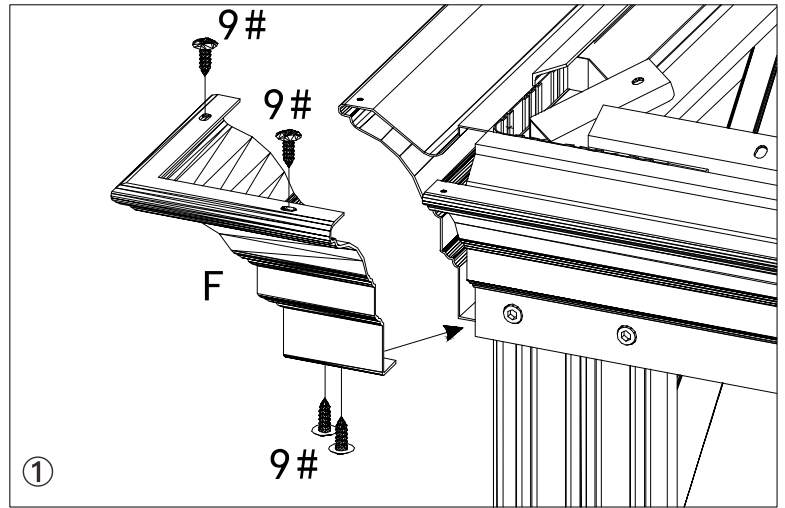


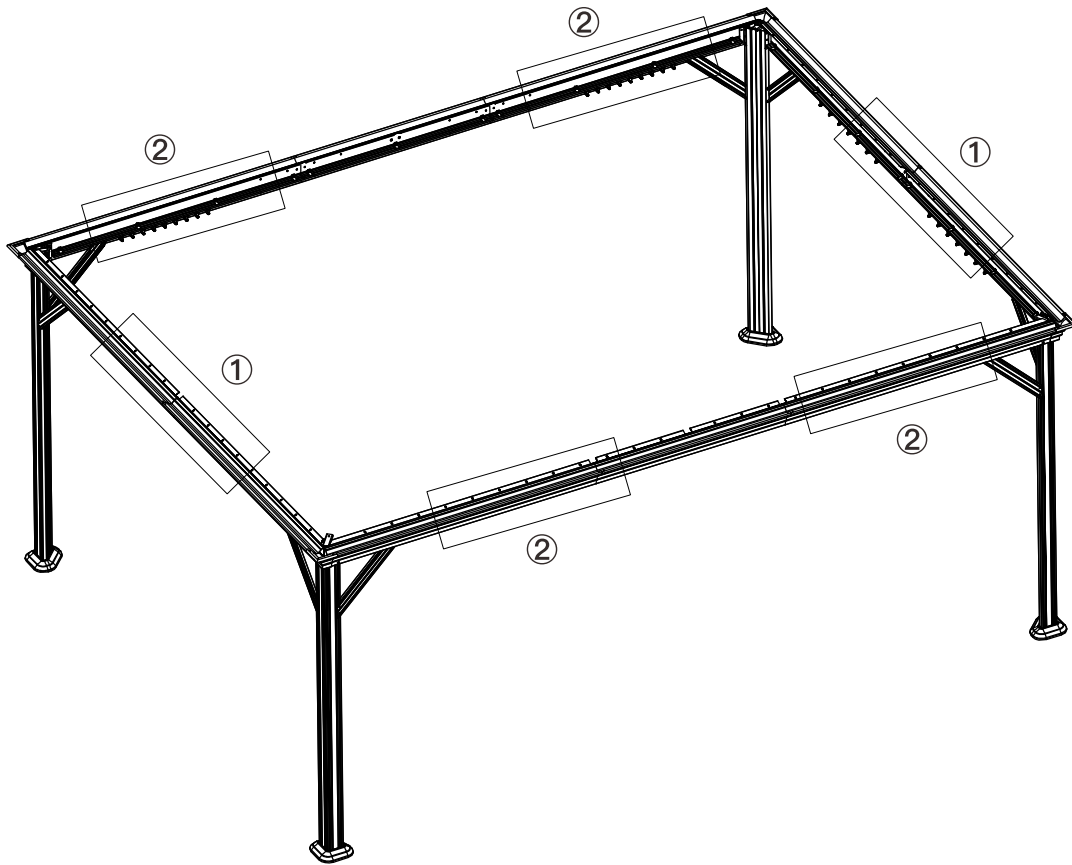
H (x1)

CORNER COVER & JOINT COVER ASSEMBLY:

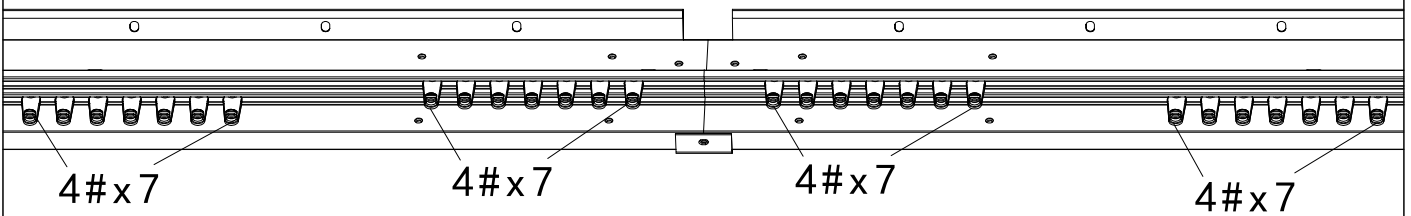


Use 5mm silicone sealant (part #H) and Joint Cover #G to affix the gap.

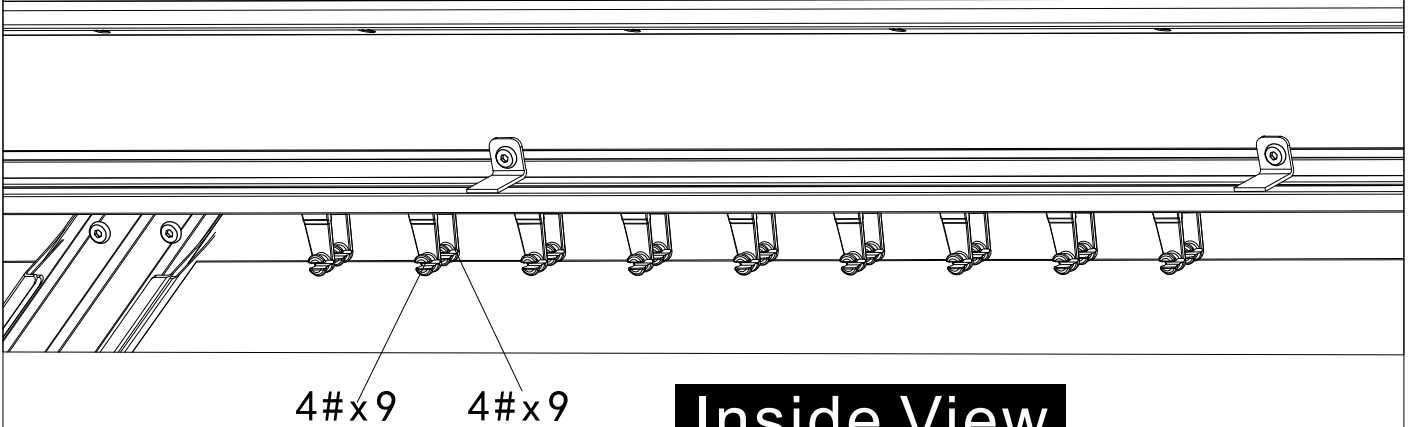




①



②



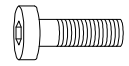
Inside View



M x4

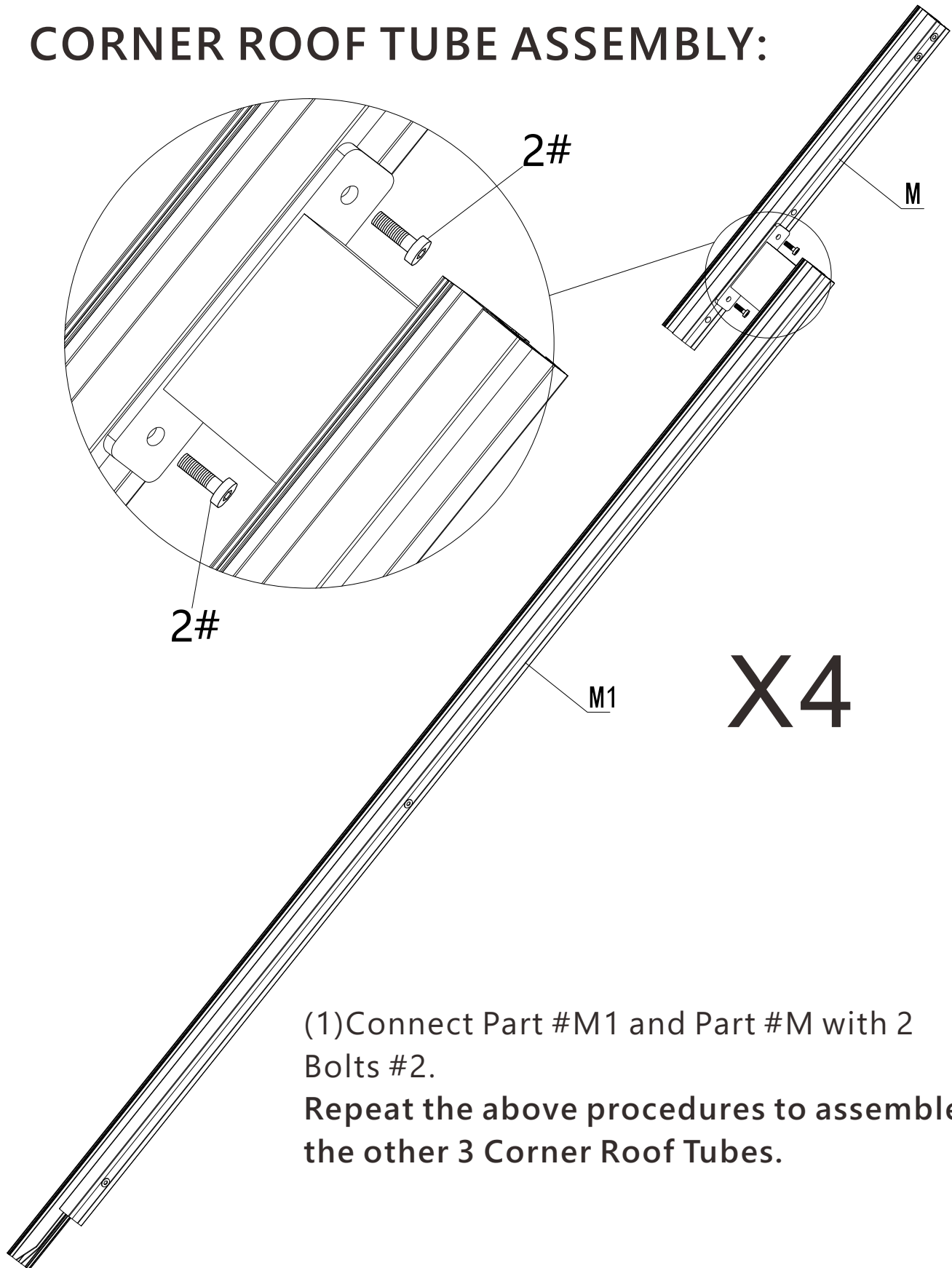


M1 x4



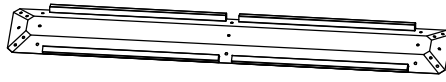
2#
x8

CORNER ROOF TUBE ASSEMBLY:



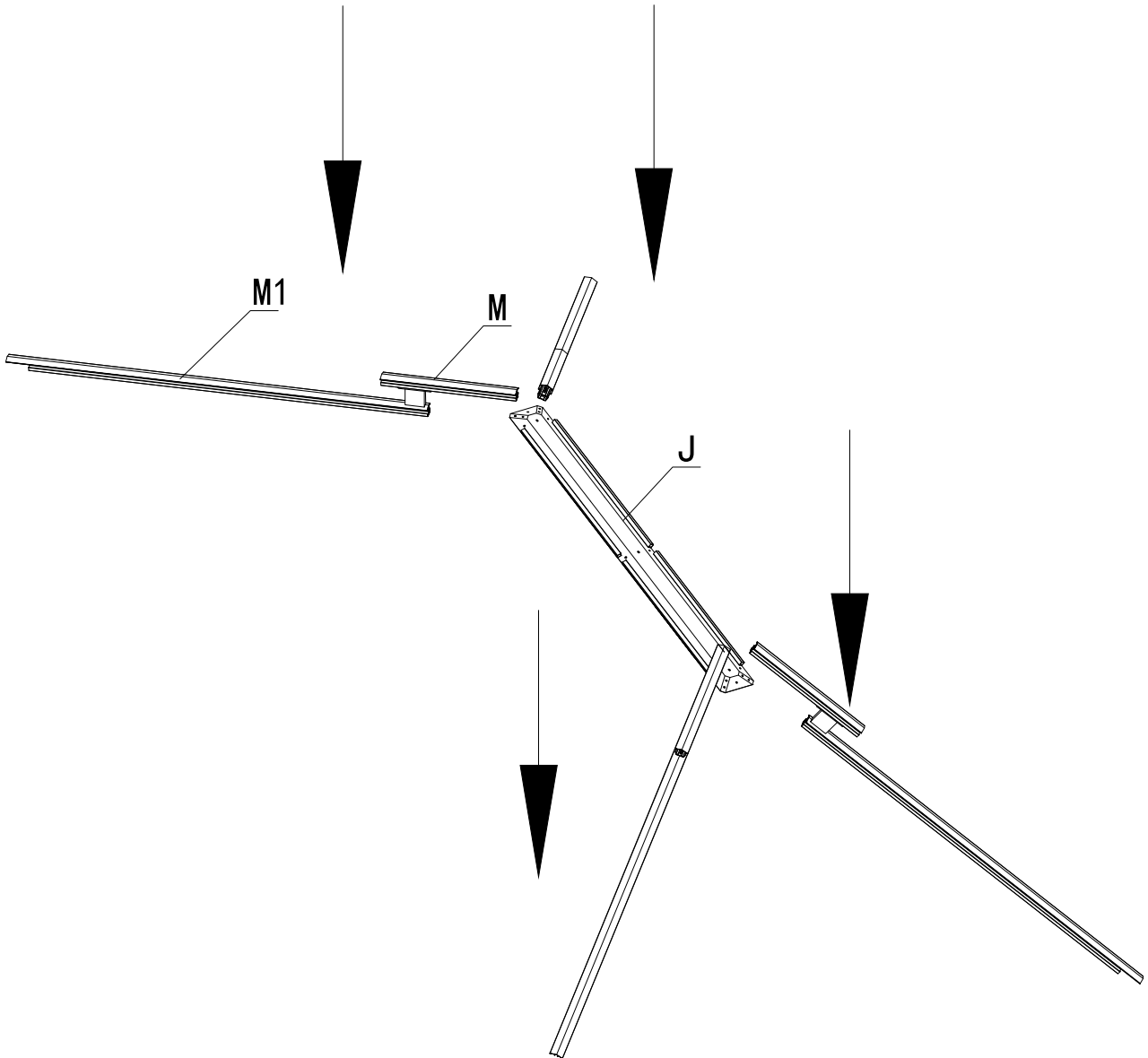
(1) Connect Part #M1 and Part #M with 2 Bolts #2.

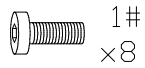
Repeat the above procedures to assemble the other 3 Corner Roof Tubes.



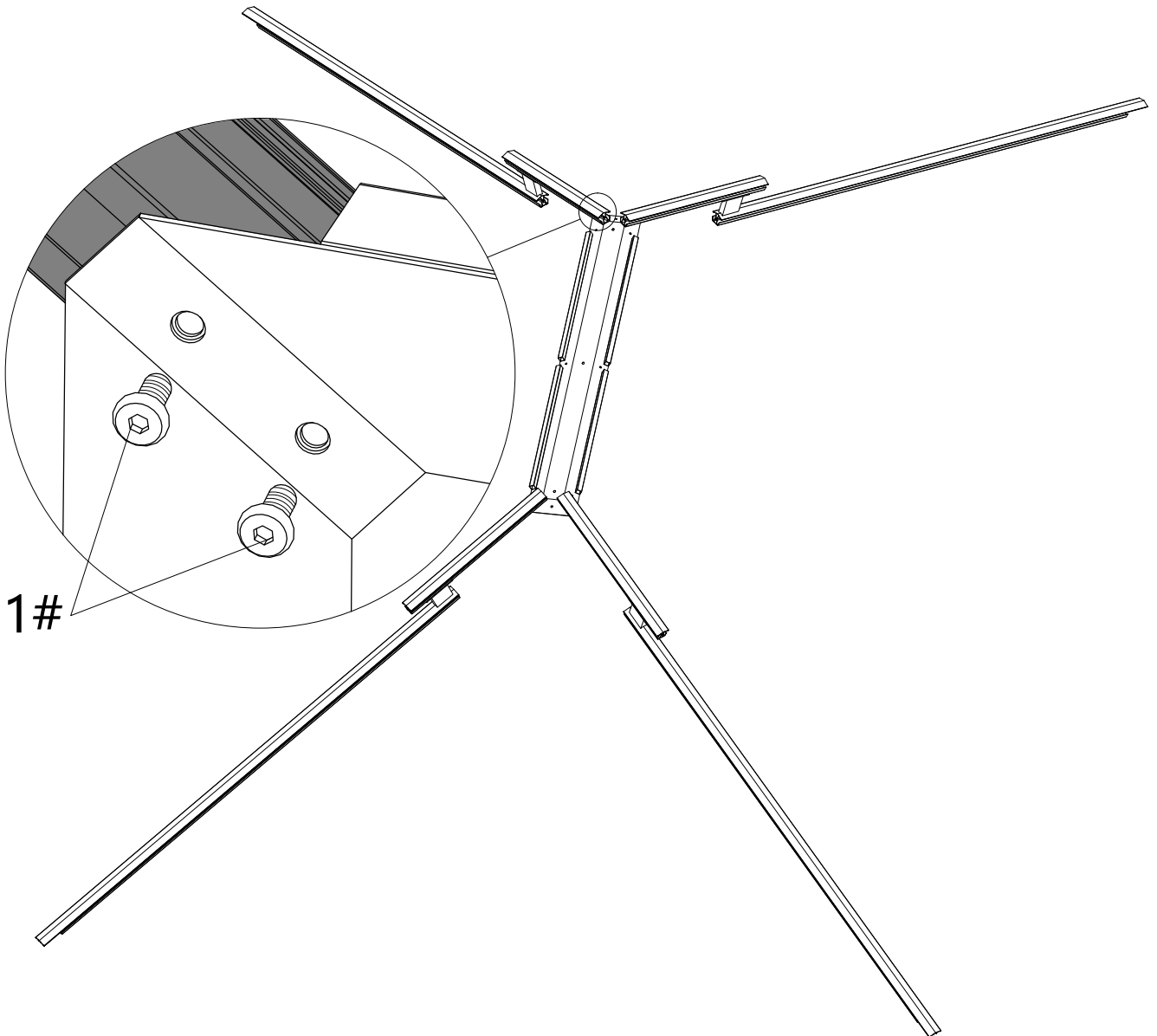
J (x1)

CORNER ROOF TUBE AND INSIDE ROOF CONNECTOR ASSEMBLY:





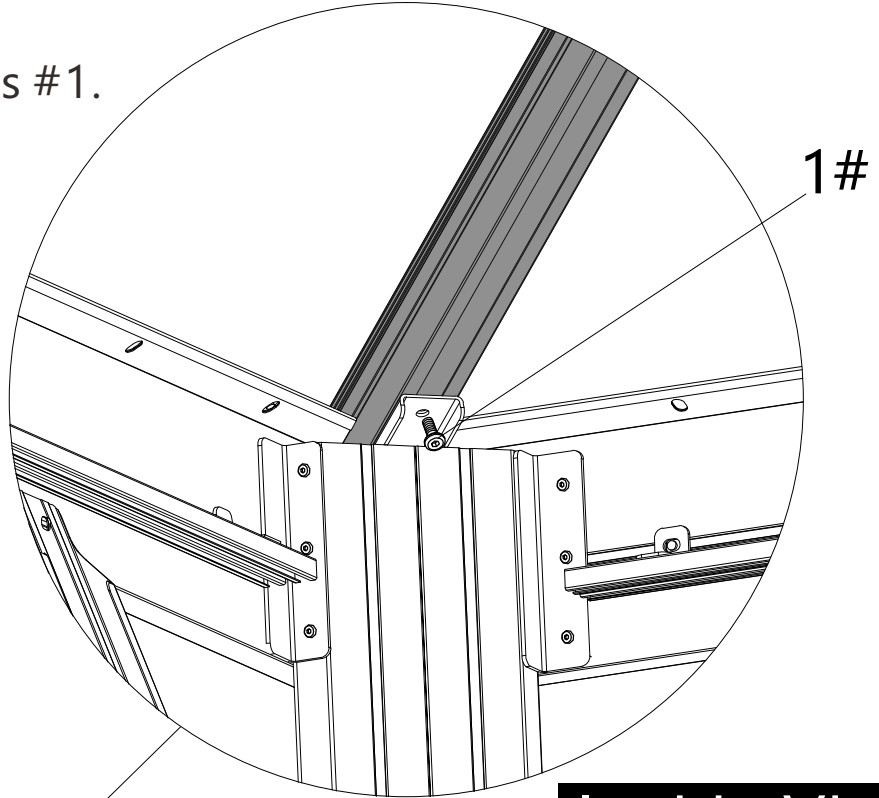
Place 4 Corner Roof Tubes on the 4 corners of Inside Roof Cover #J, secure with 8 Bolts #1. (From bottom to top)



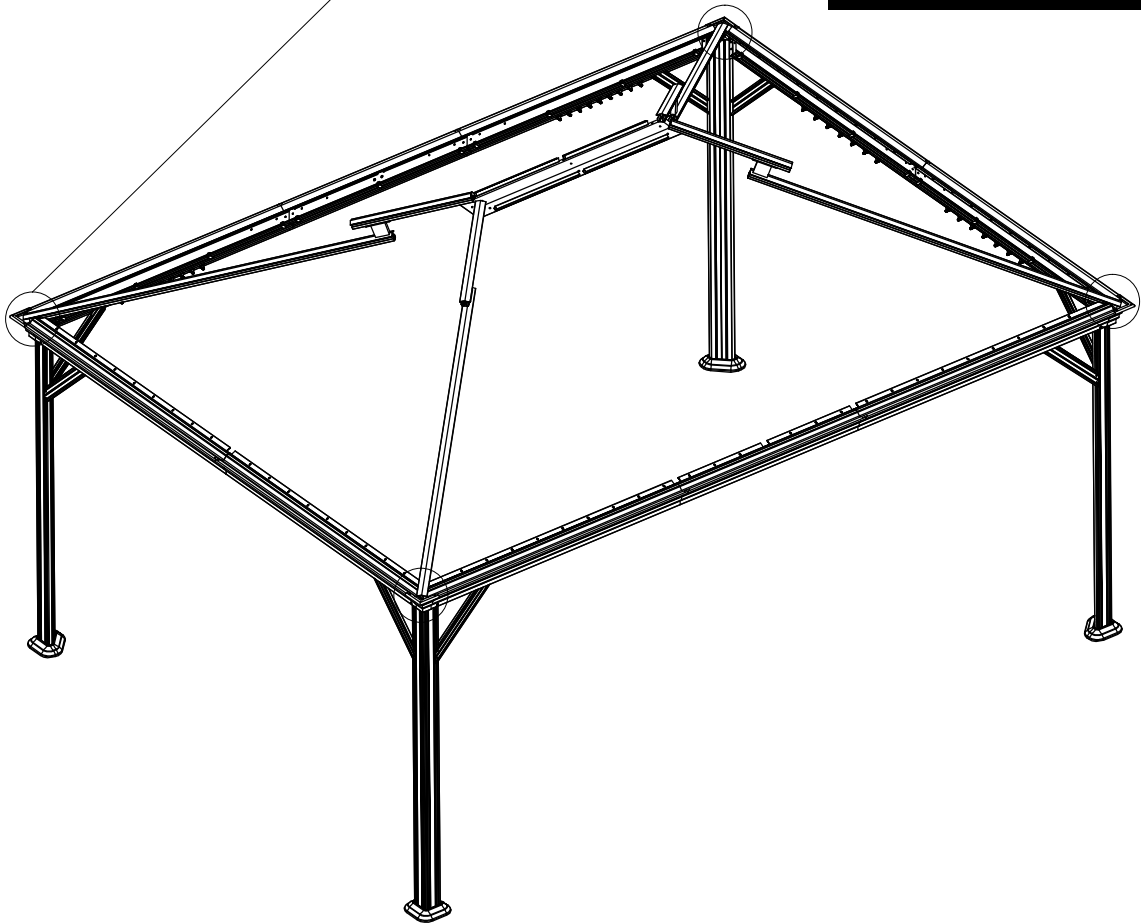
Lift 4 corner roof tubes and inside roof connector to the top of the frame. (You may need 2 people and 2 ladders.)

1#
×4

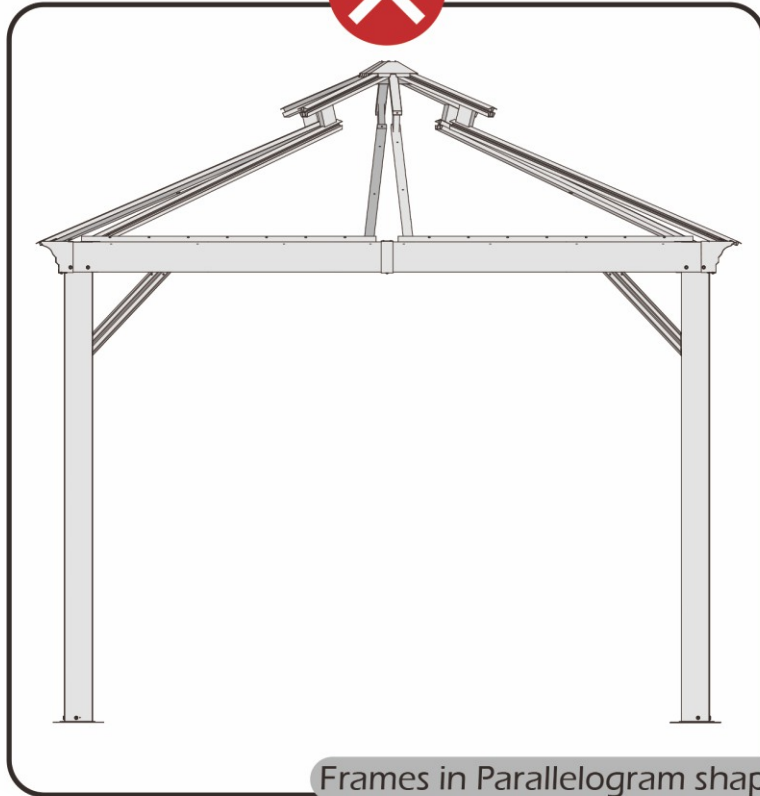
Secure with 4 Bolts #1.



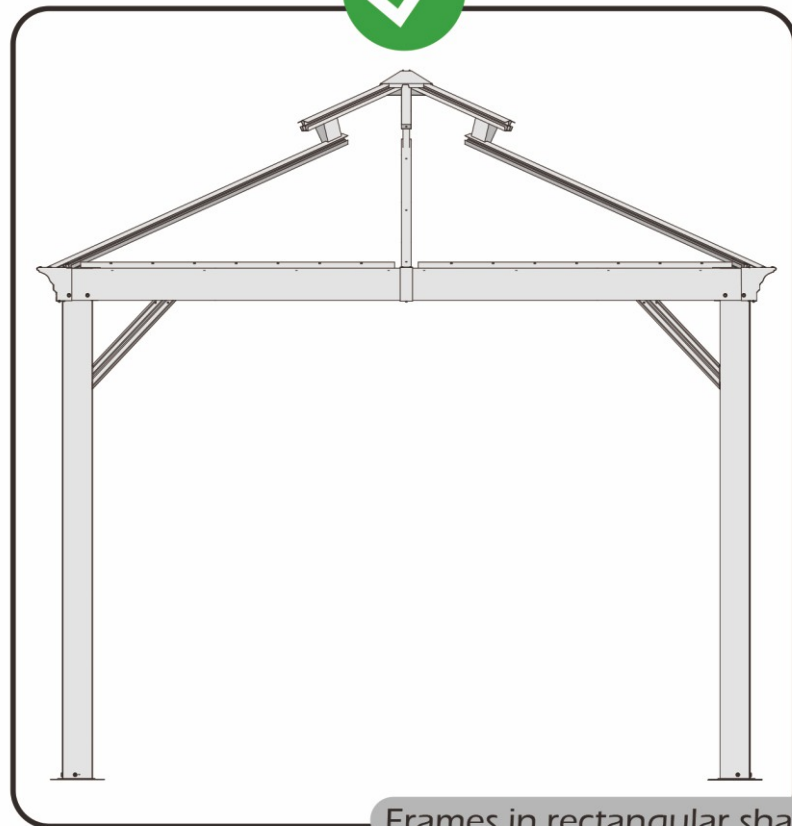
Inside View



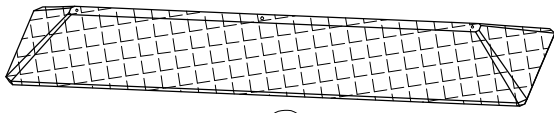
Check the the frame as pictures below shows.



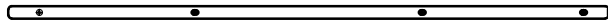
Frames in Parallelogram shape



Frames in rectangular shape



O (x1)

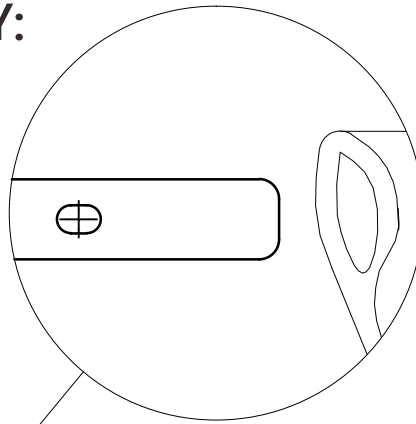


O1 (x2)

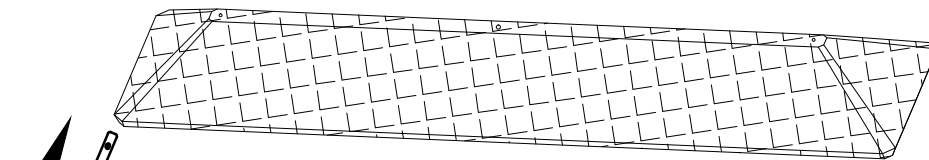
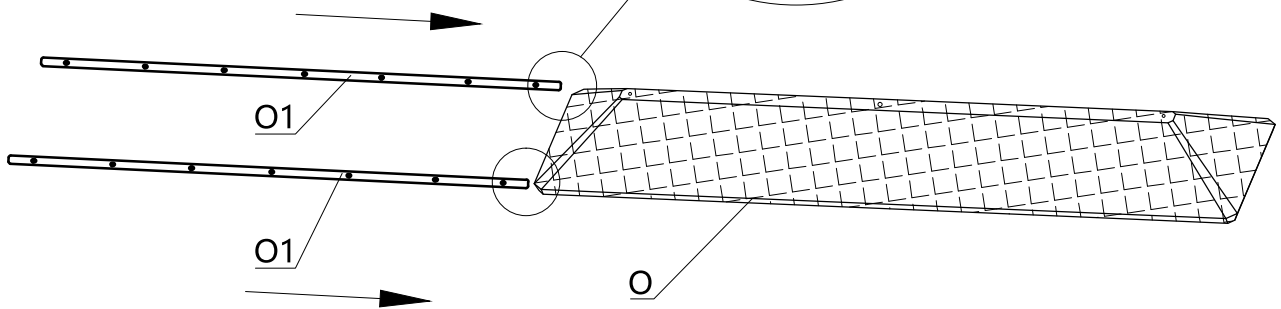


O2 (x2)

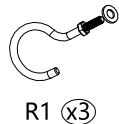
PLASTIC BAR ASSEMBLY:



Insert



Insert

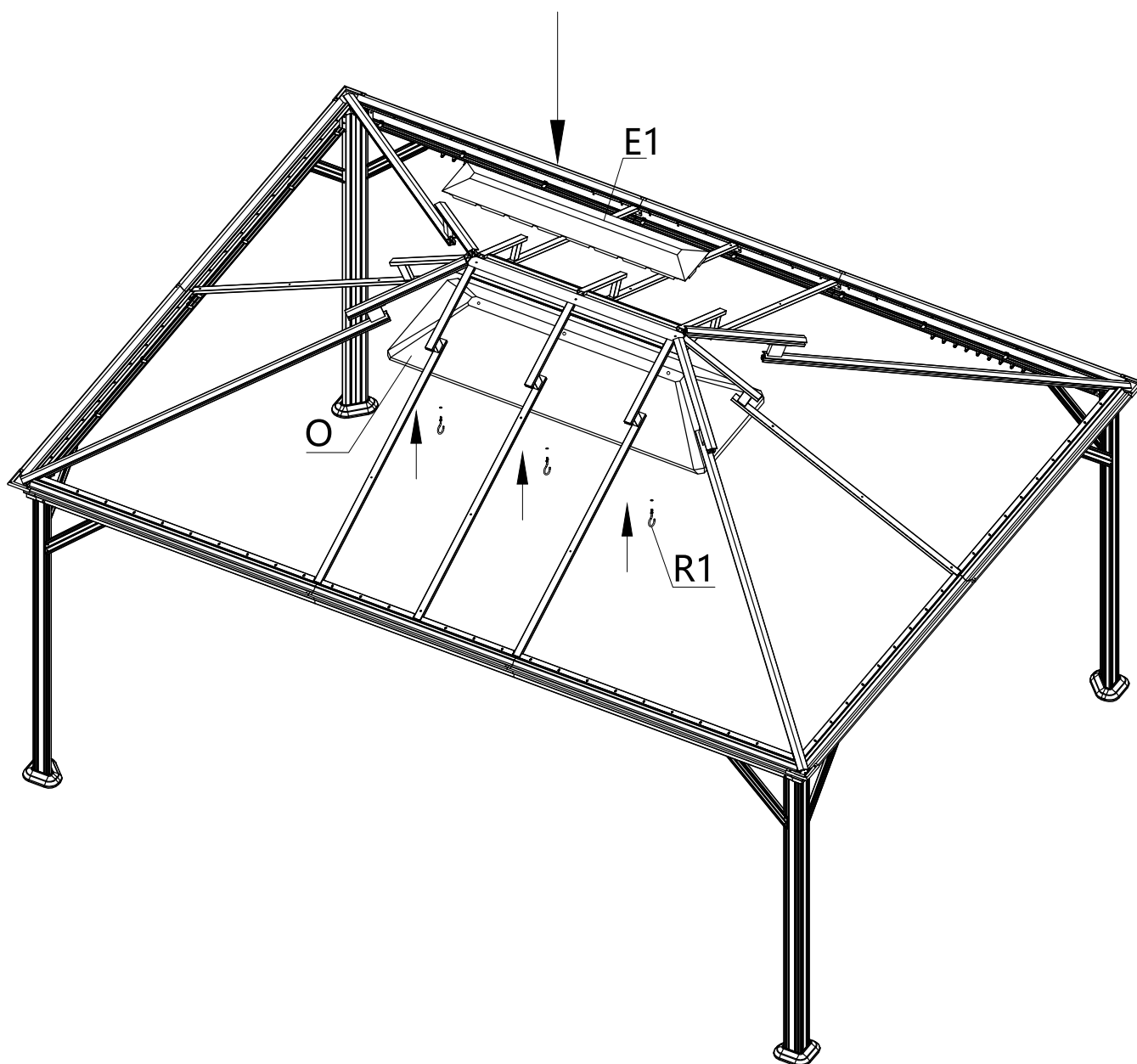


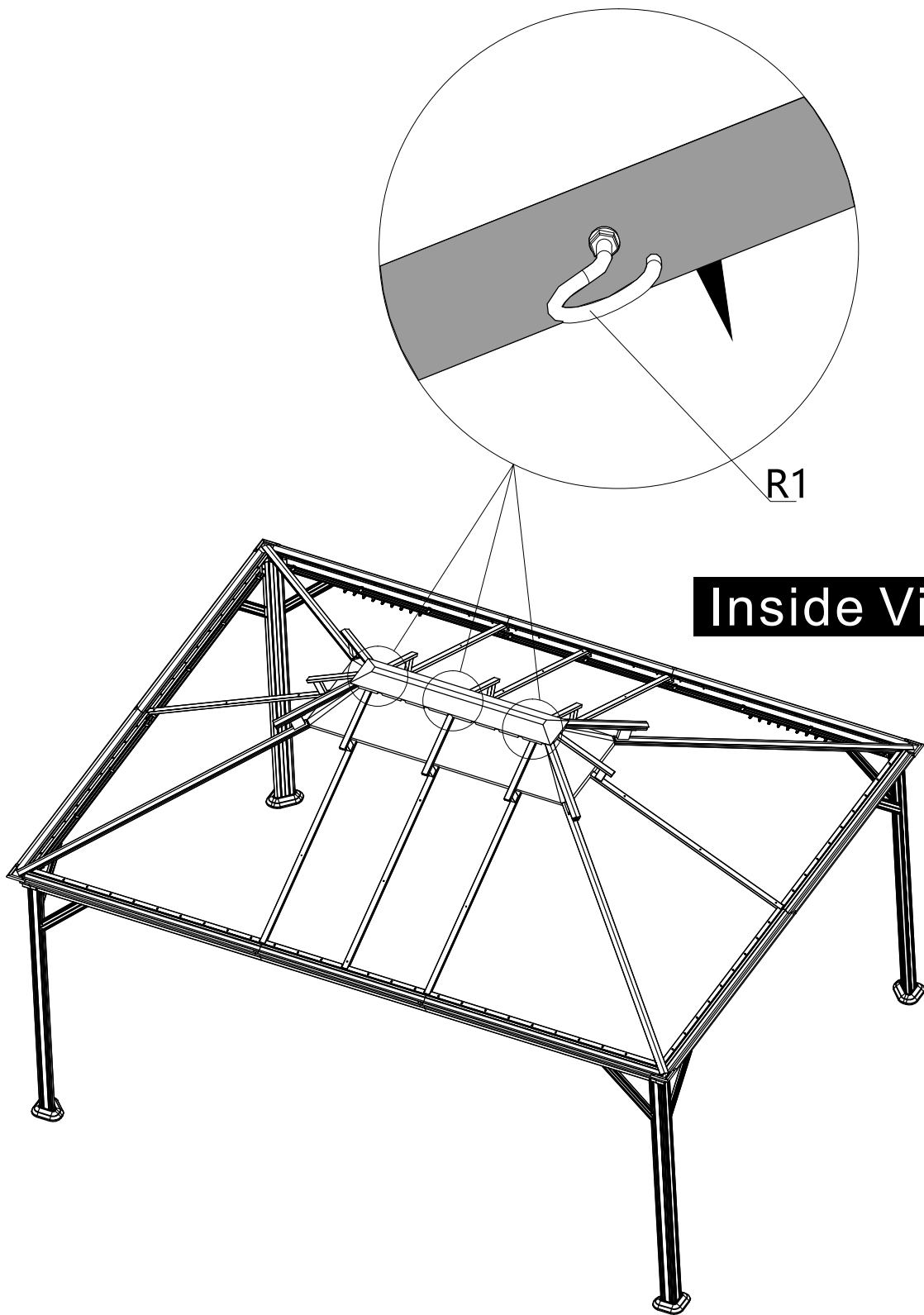
E1 (x1)

OUTSIDE ROOF COVER AND MESH ASSEMBLY:

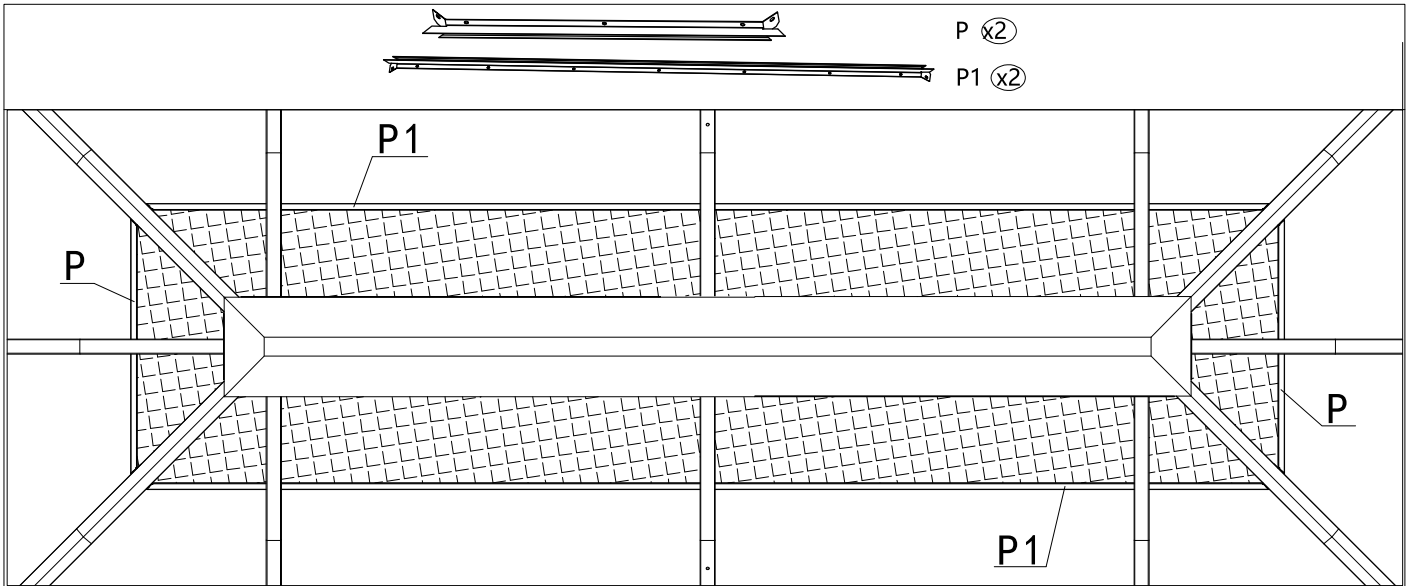
(1) Place the Outside Roof Cover on the Inside Roof Cover.

(2) Align the holes and use 3 Hooks #R1 to secure Mesh #O to the Inside Roof Cover. (From Bottom to Top)

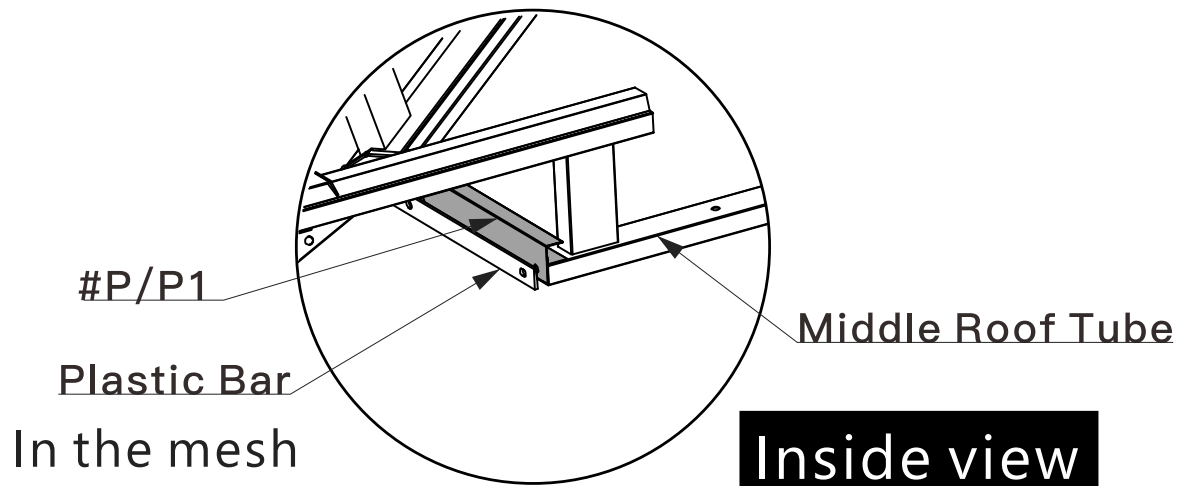




Inside View



TOP VIEW

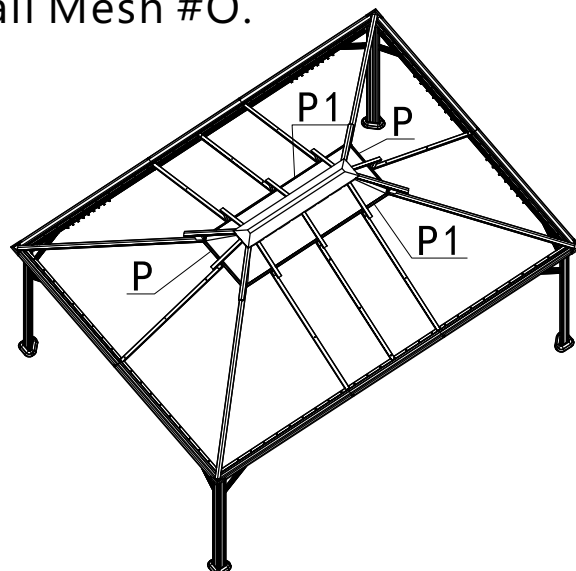


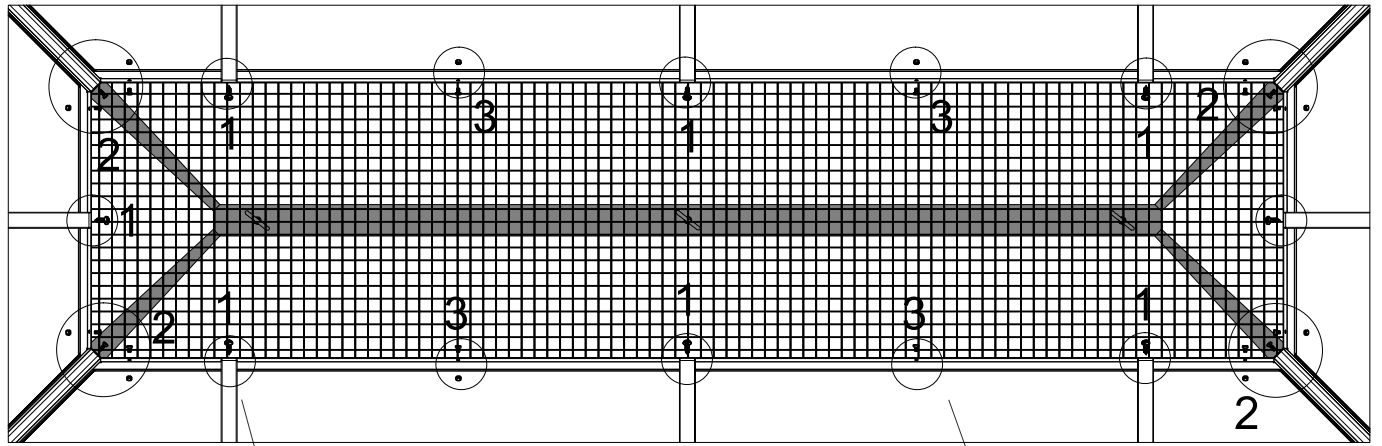
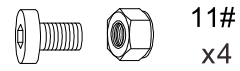
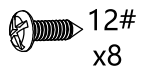
Inside view



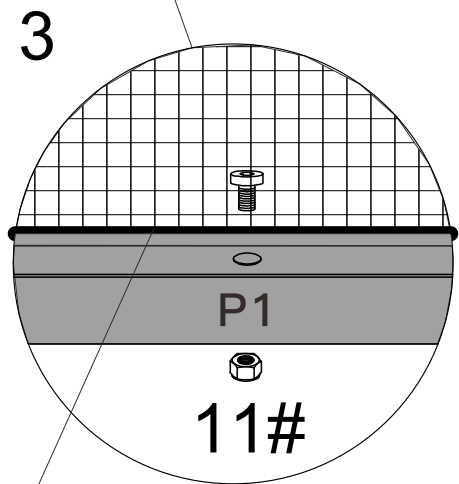
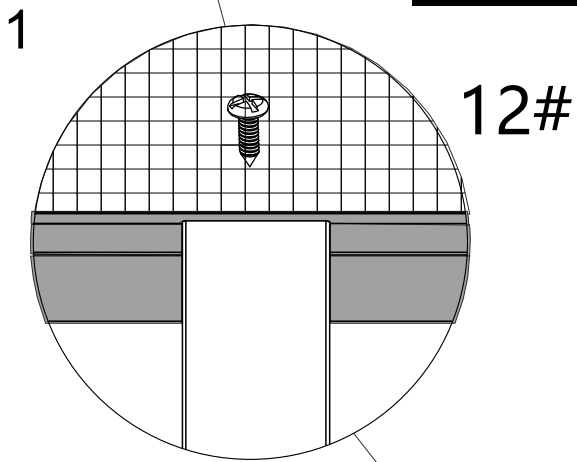
Please do not pull plastic bar out when installing it with #P & P1 on the middle roof tube.

Extend the Small Mesh #O.



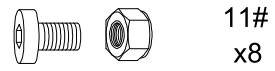
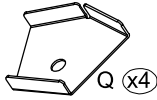


BOTTOM VIEW

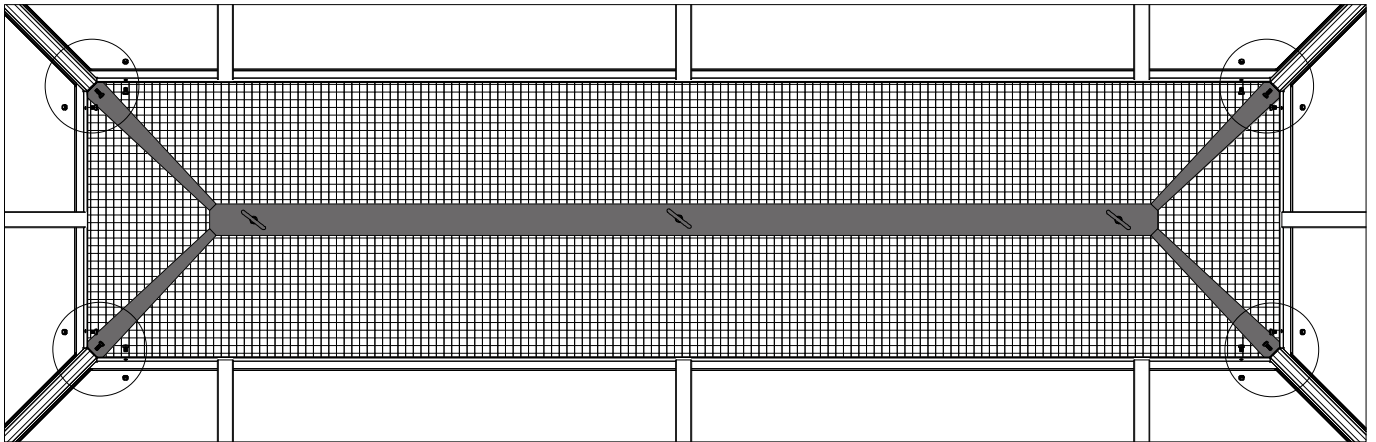


Plastic Bar
in the mesh

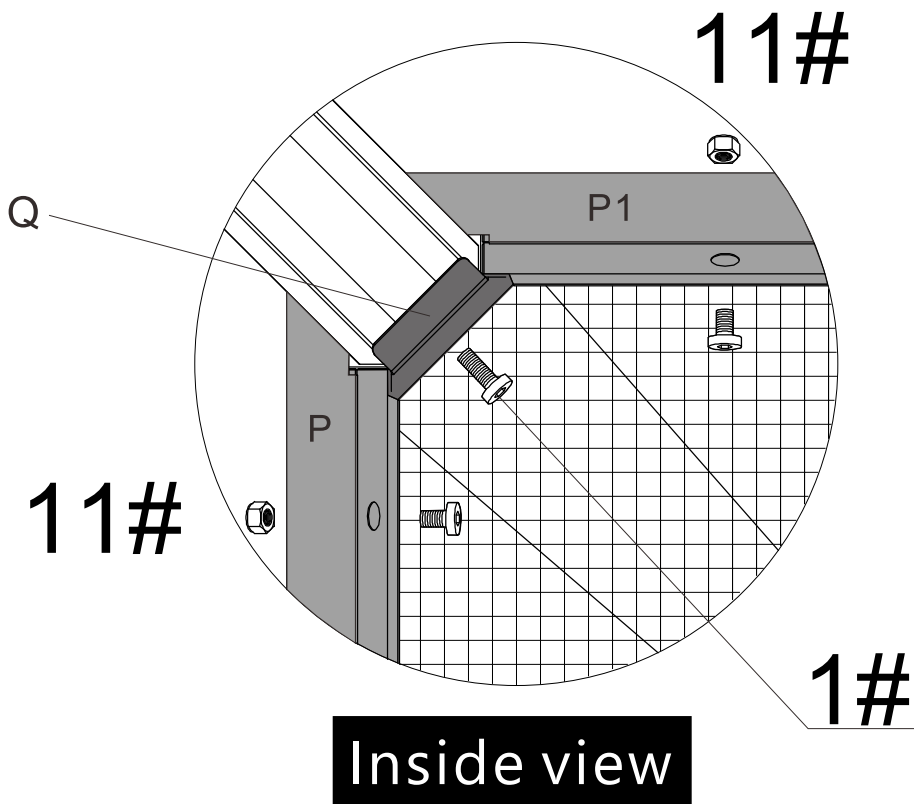
Secure the small mesh, plastic bar and finishing bar to the middle roof tube.



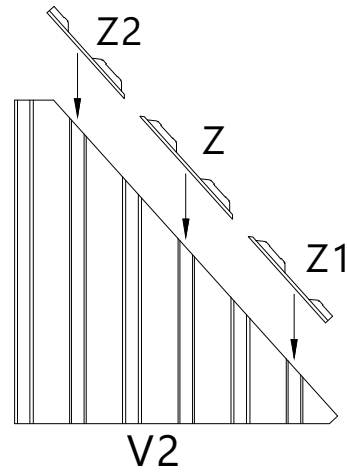
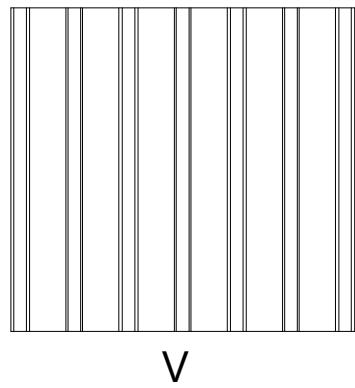
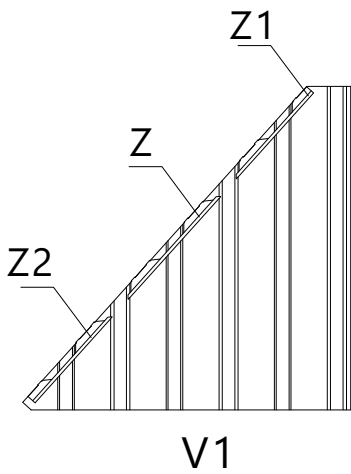
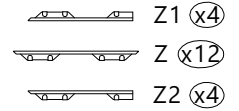
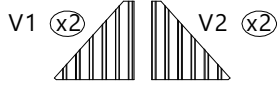
FINISHING END #Q ASSEMBLY:



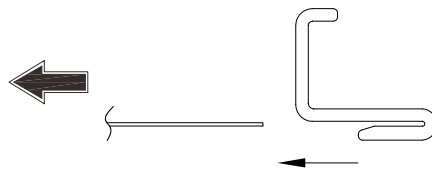
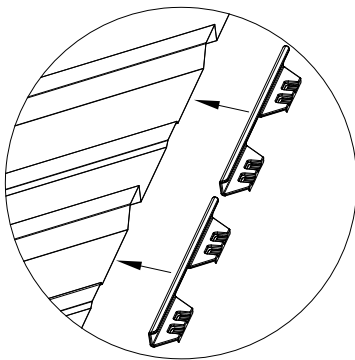
Bottom View



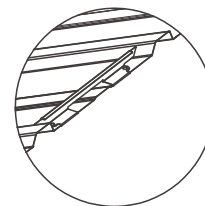
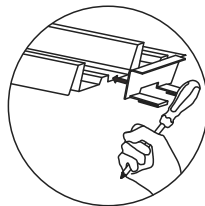
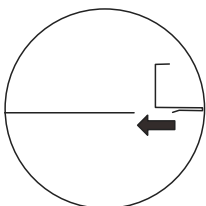
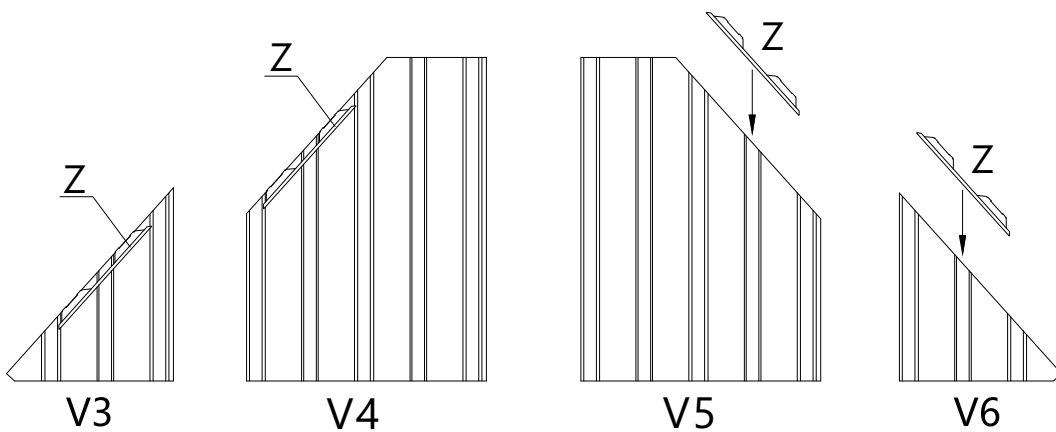
- (1) use 2 bolts and nuts #11 to secure the small mesh, plastic bar to finishing bar.
- (2) Use bolt #1 to secure the small mesh and finishing end #Q to the corner roof tube.
- (3) Repeat above procedures to assemble the other 3 sides.



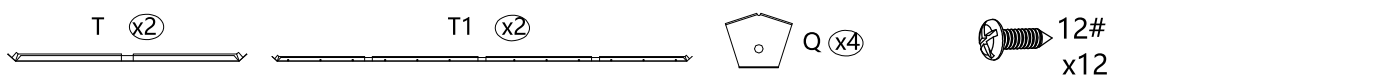
Remove the protective film of the panels before installing the roof panels.
Please install Plastic Clips in strict accordance with the instructions.



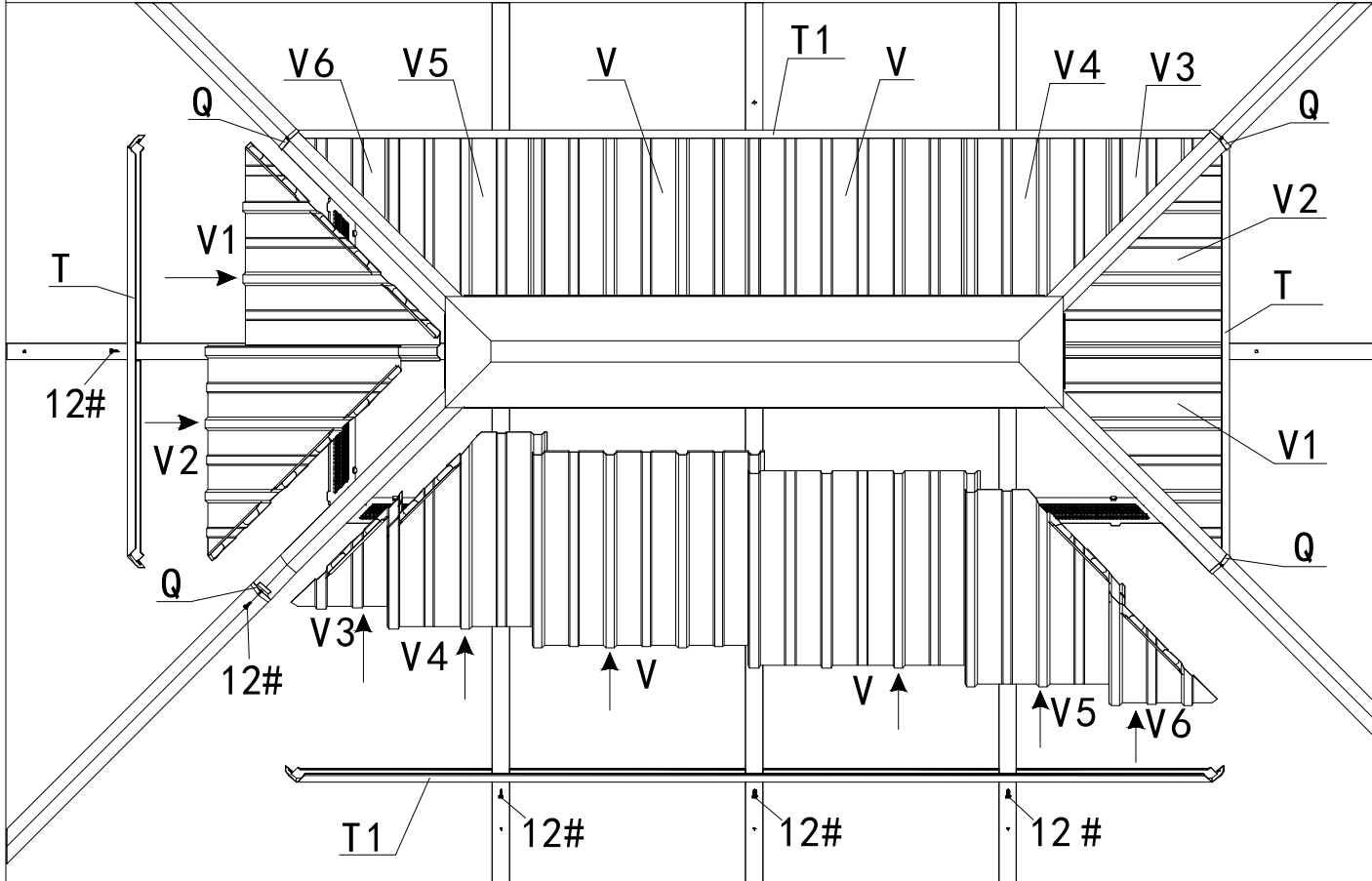
Section View



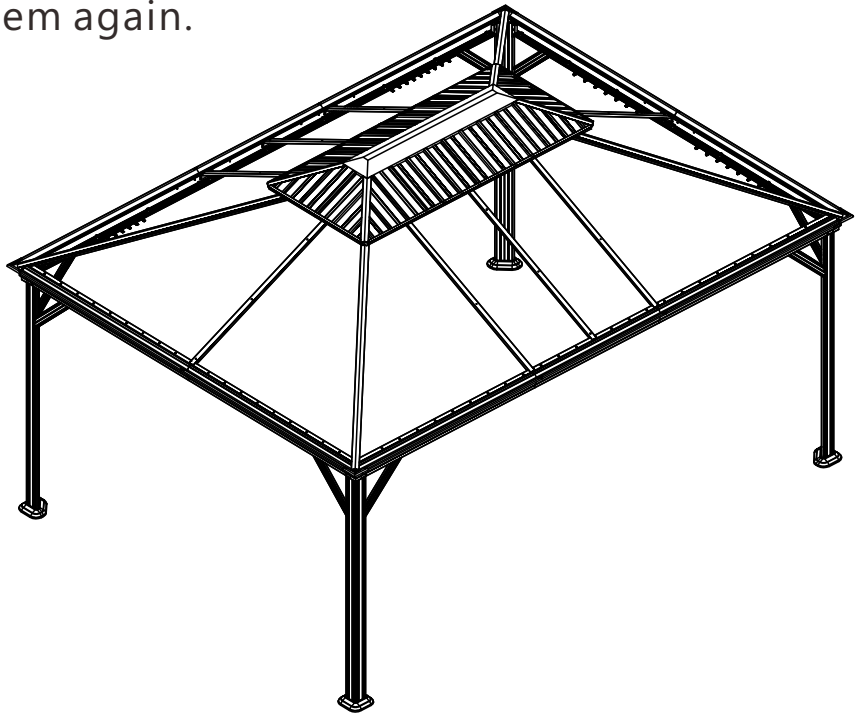
Attach Part #Z,#Z1,#Z2 by lightly tapping with screwdriver.

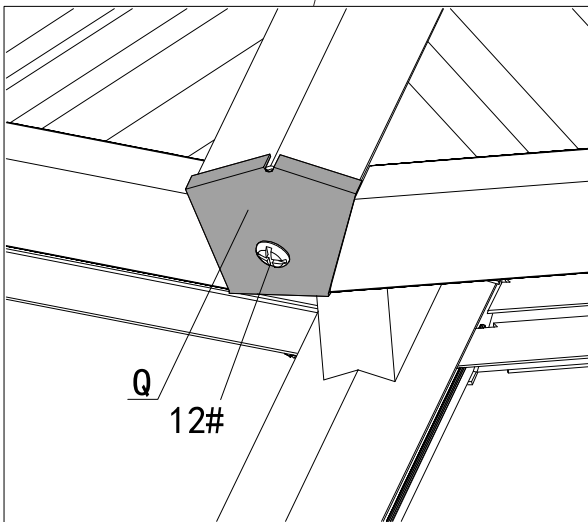
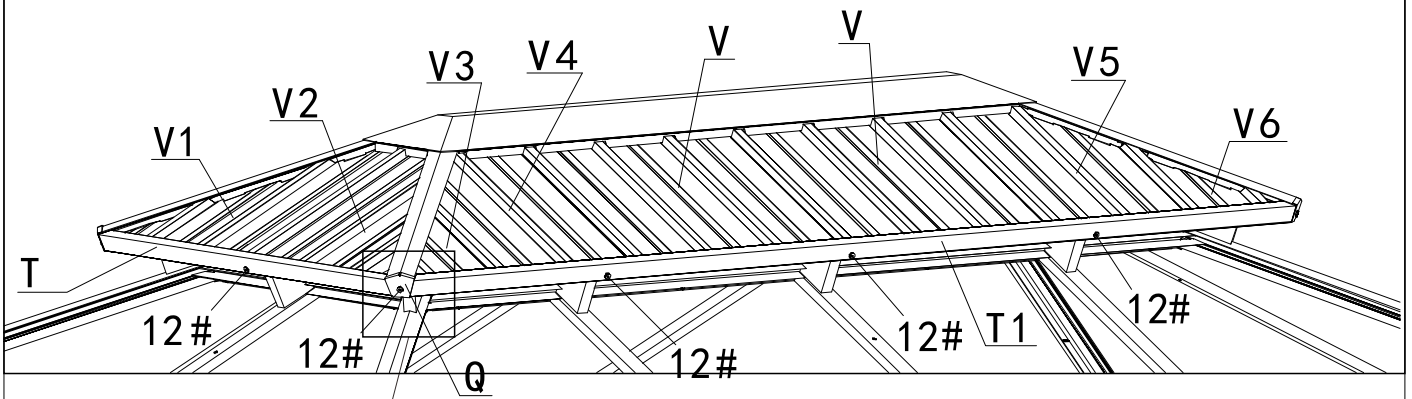
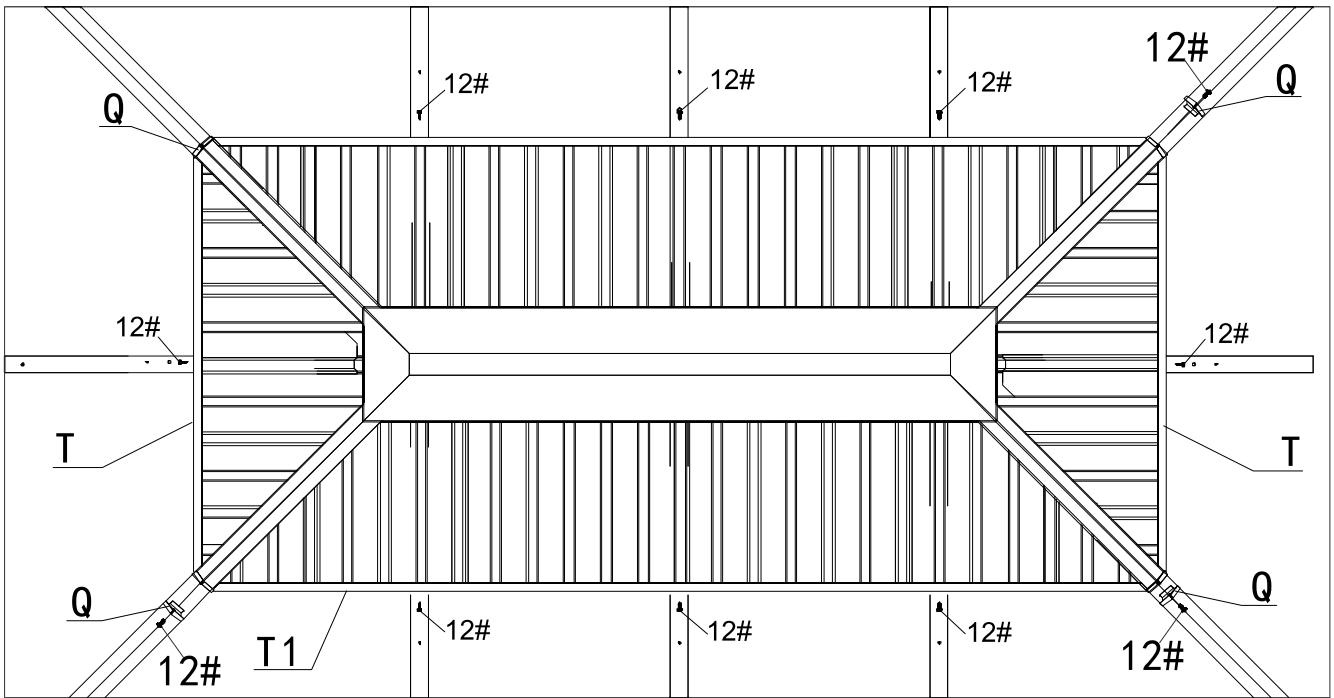
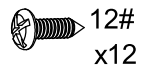
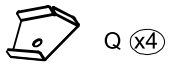


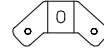
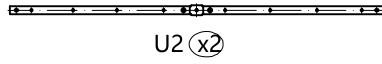
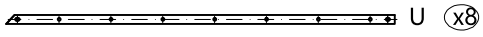
SMALL ROOF PANEL AND FINISHING BAR ASSEMBLY:



If you can't install #V, push the Outside Roof Cover up and try to insert them again.

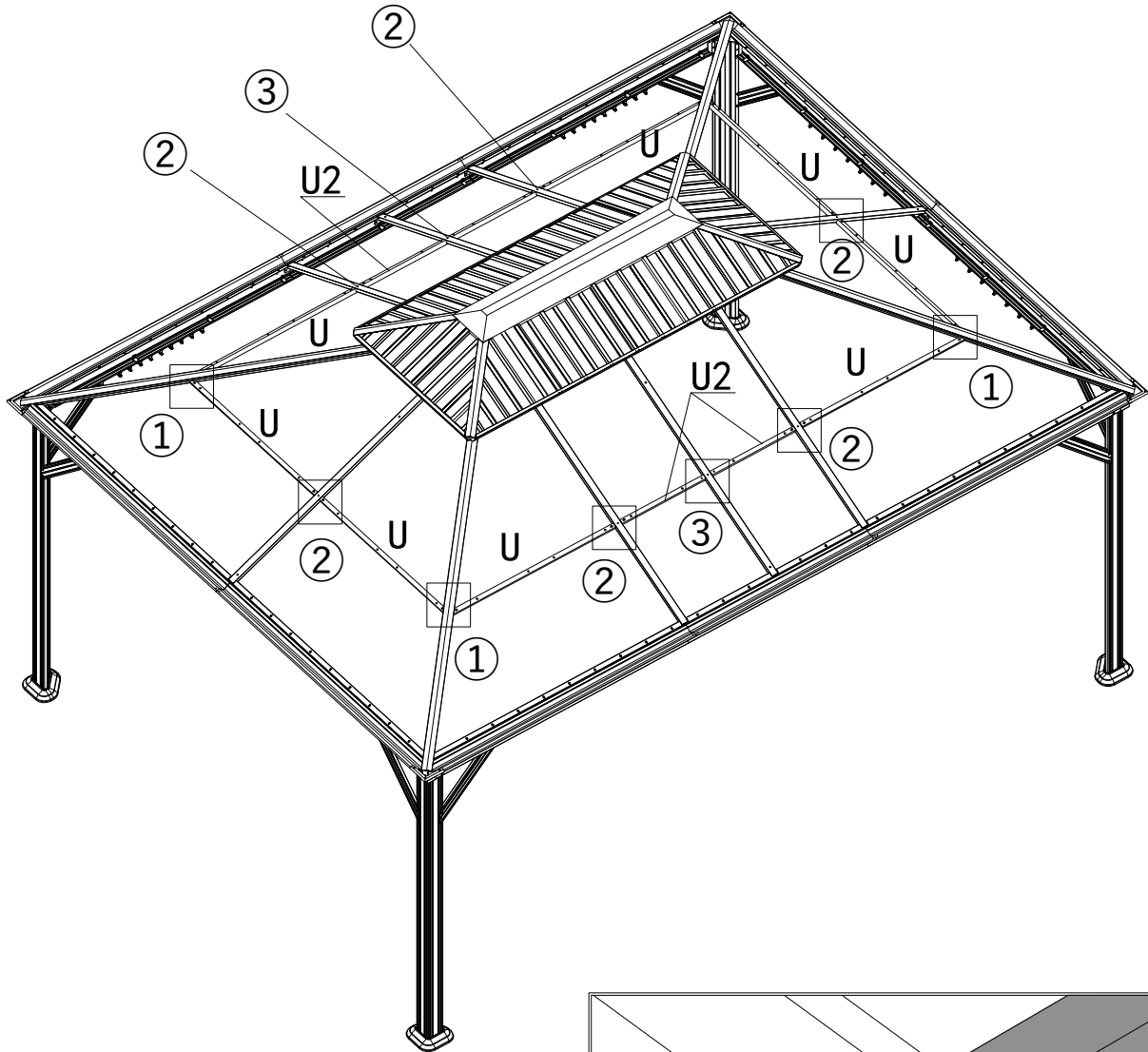




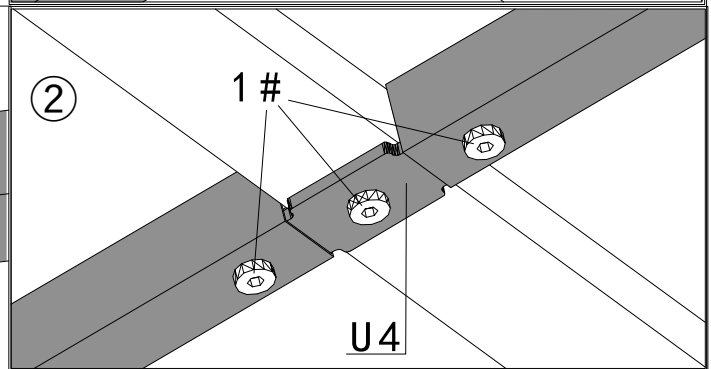
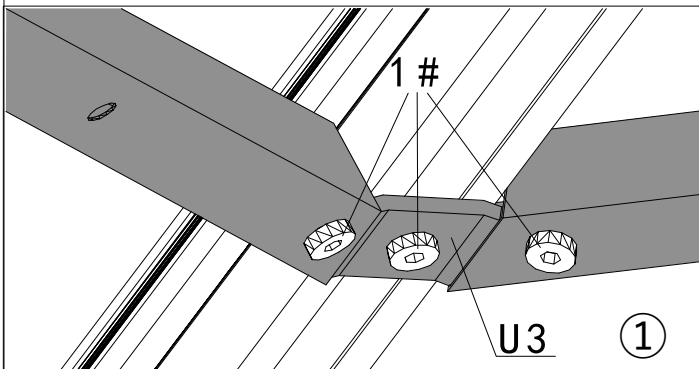
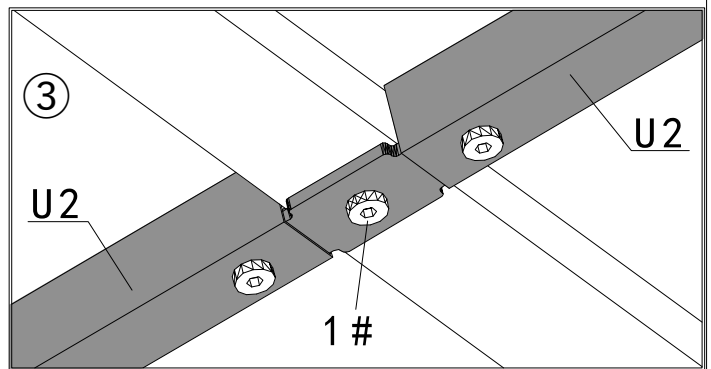


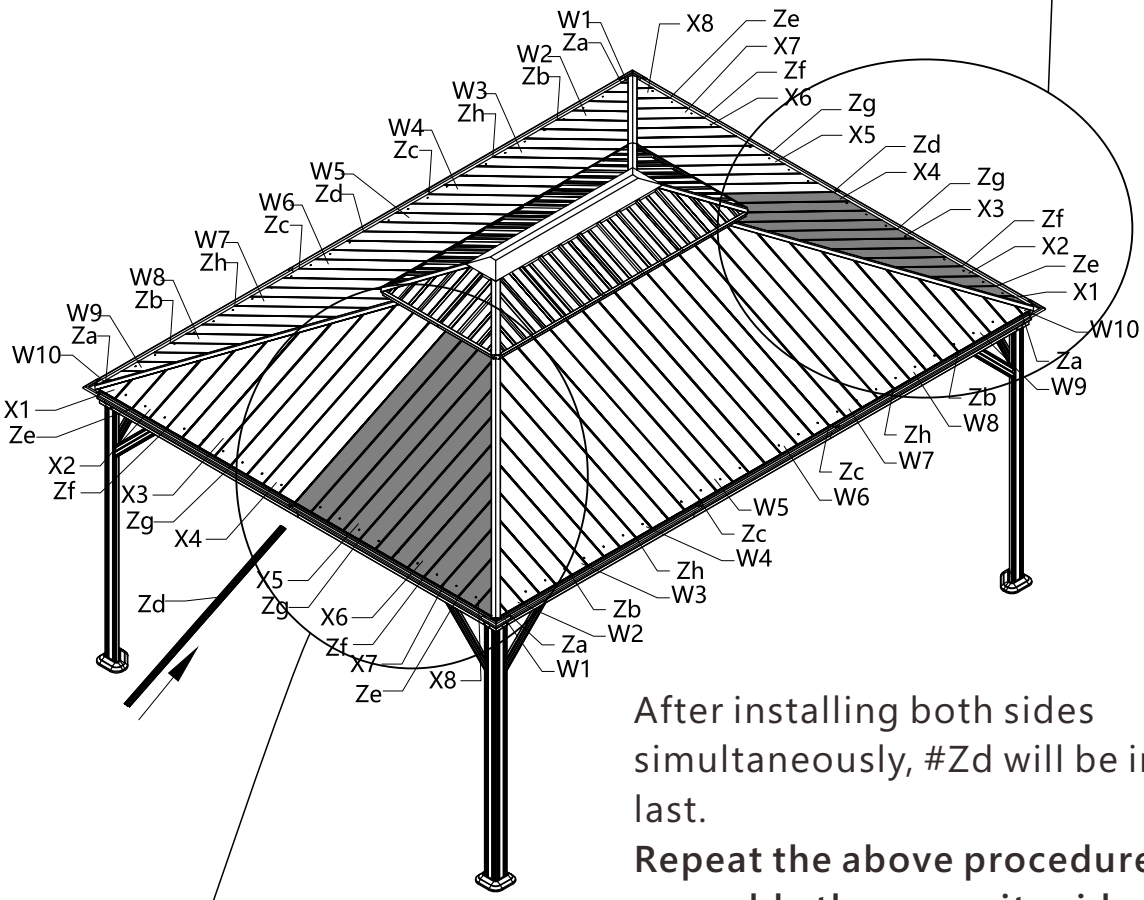
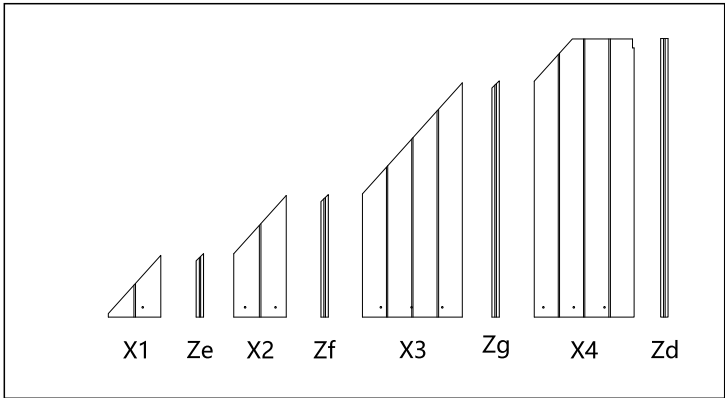
1#
x32

SOLIDIFYING BAR ASSEMBLY:

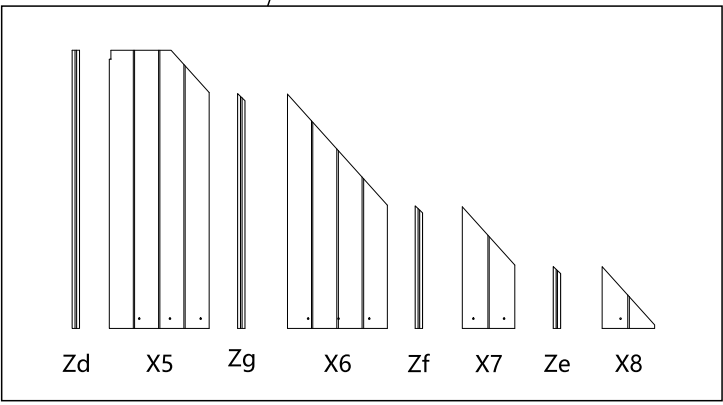


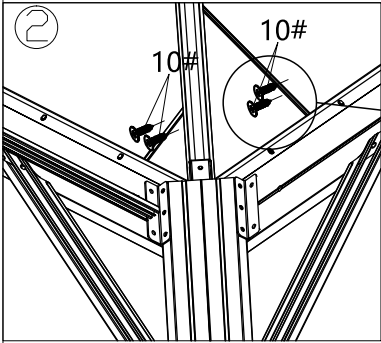
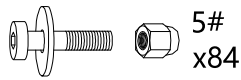
Inside view



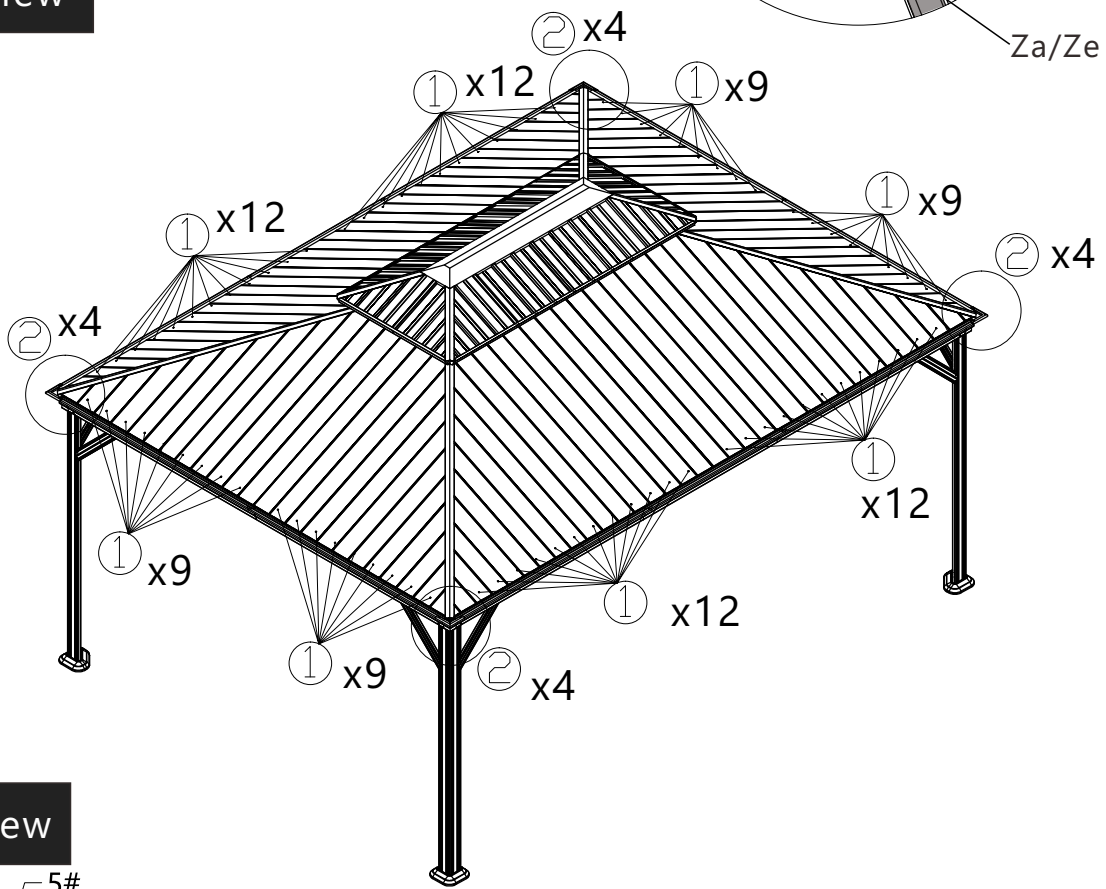
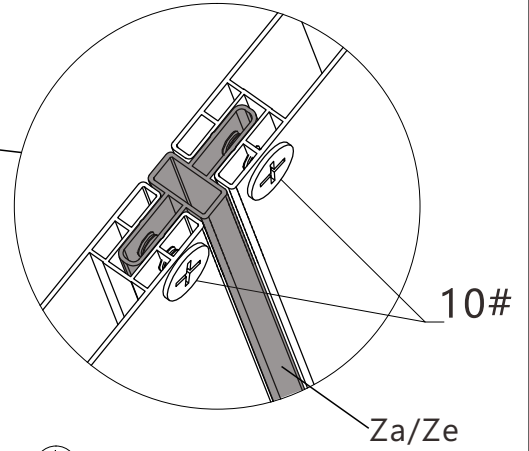


After installing both sides simultaneously, #Zd will be inserted last.
 Repeat the above procedures to assemble the opposite side.

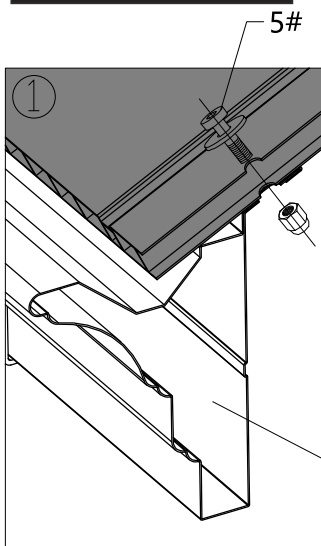




Inside View

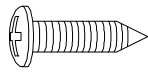


Section View

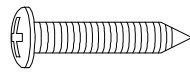


- ①: Use bolts #5 to secure the roof panel to the beam.
 - ②: Use 4 screws #10 to secure the roof panels to the connecting rods #Za/Ze.
- Repeat the above procedures to assemble the other 3 sides.

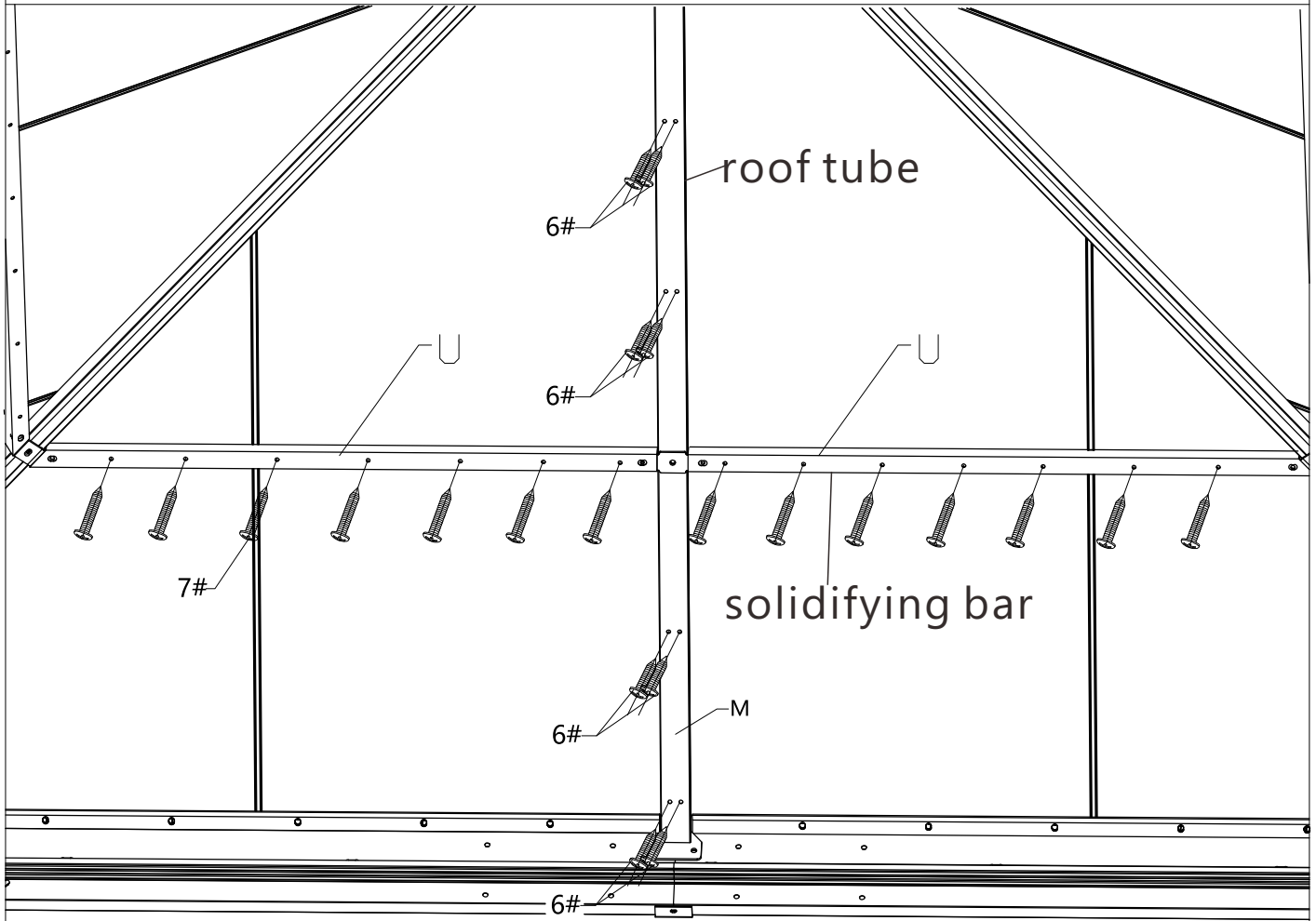
C/C1/C2/C3/C4



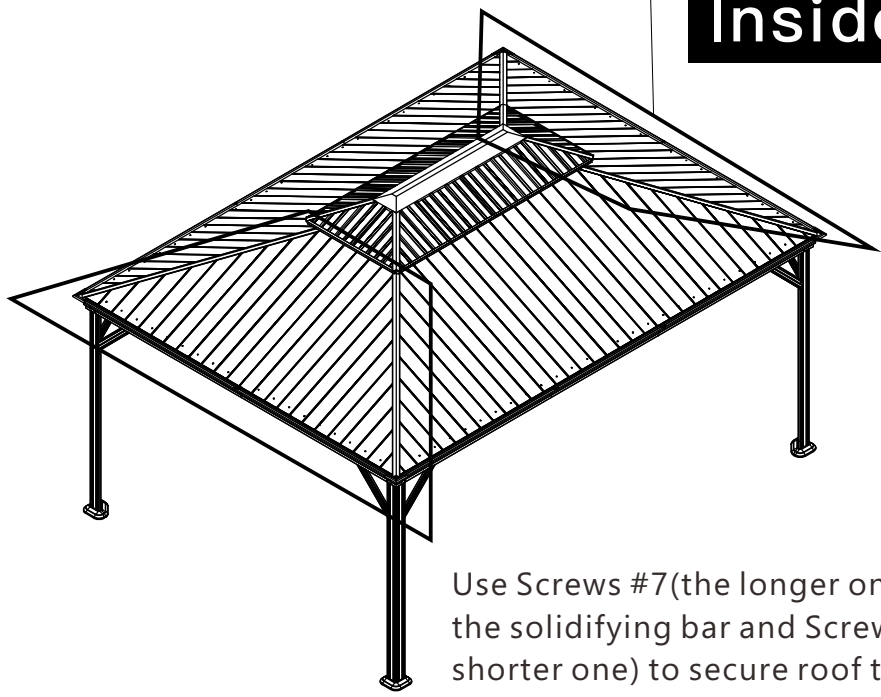
6# x16



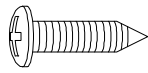
7# x28



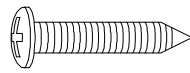
Inside View



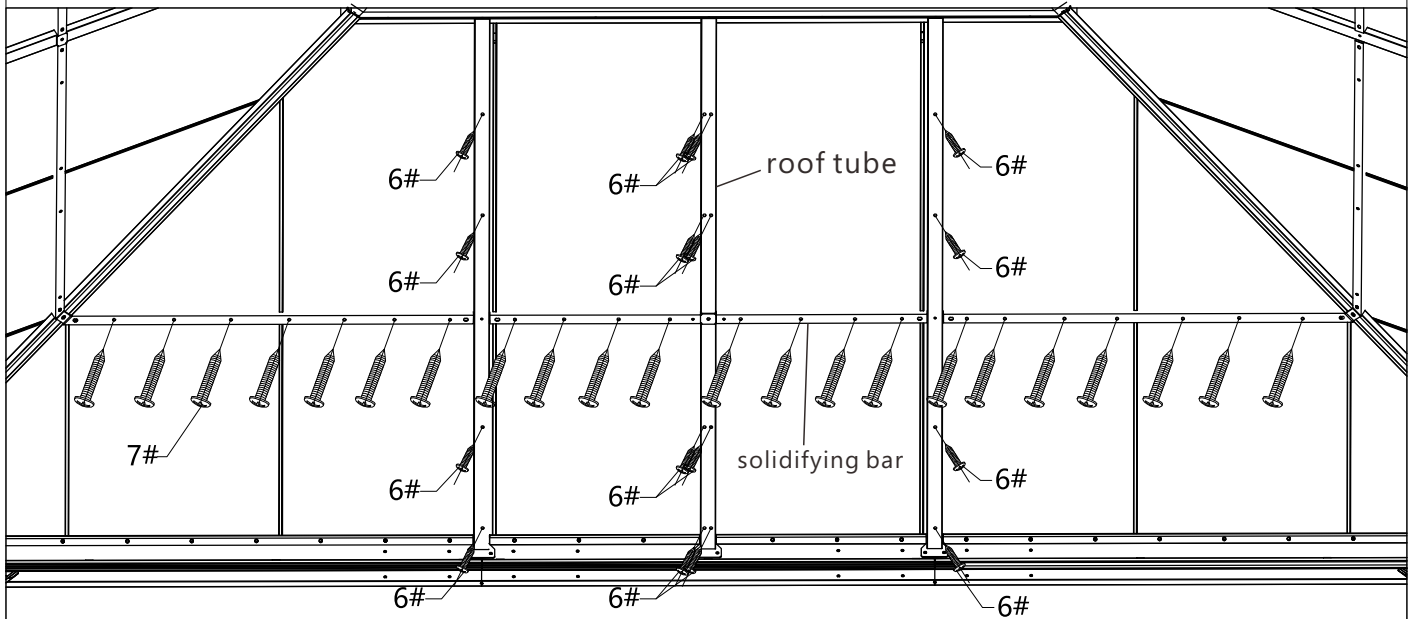
Use Screws #7(the longer one) to secure the solidifying bar and Screws #6(the shorter one) to secure roof tube to the roof panels.



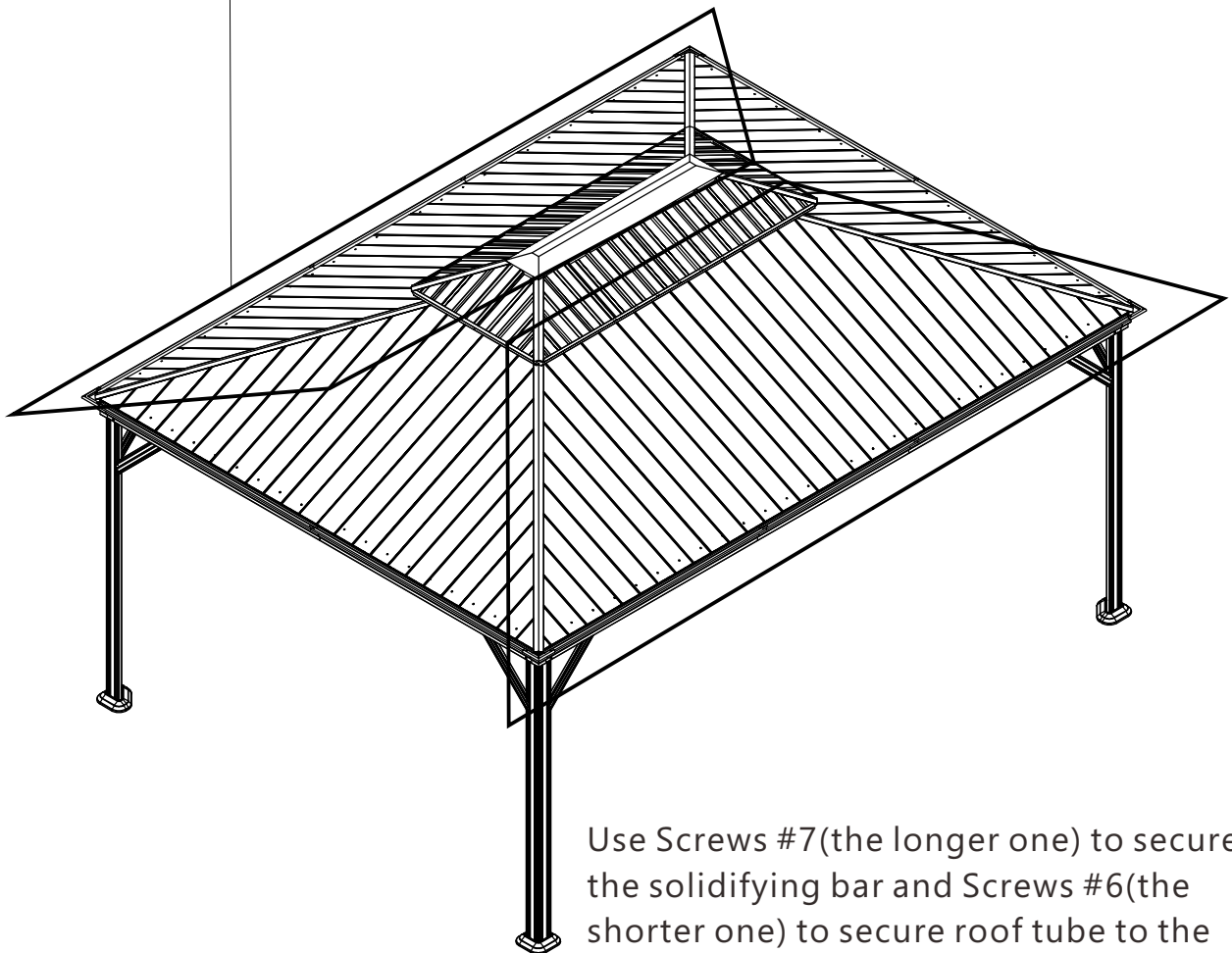
6# x32



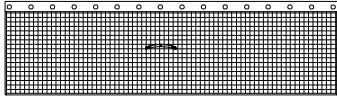
7# x44



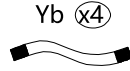
Inside View



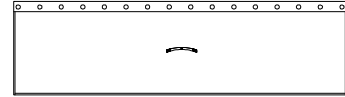
Use Screws #7 (the longer one) to secure the solidifying bar and Screws #6 (the shorter one) to secure roof tube to the roof panels.



Y (x4)

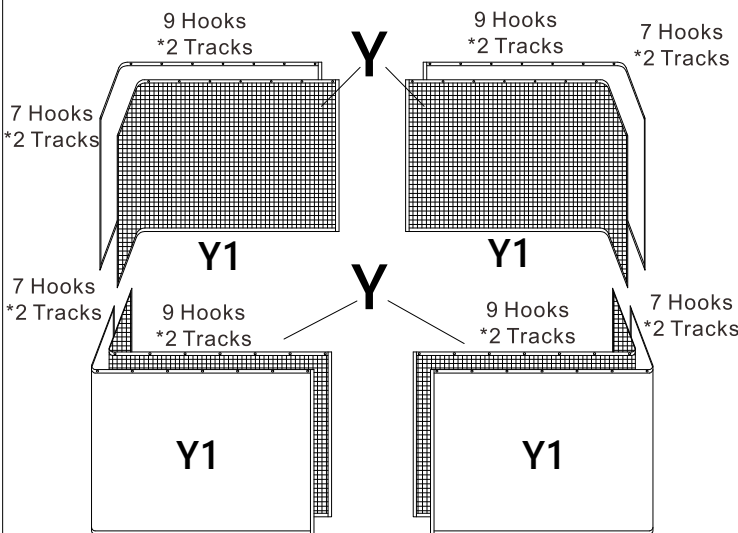
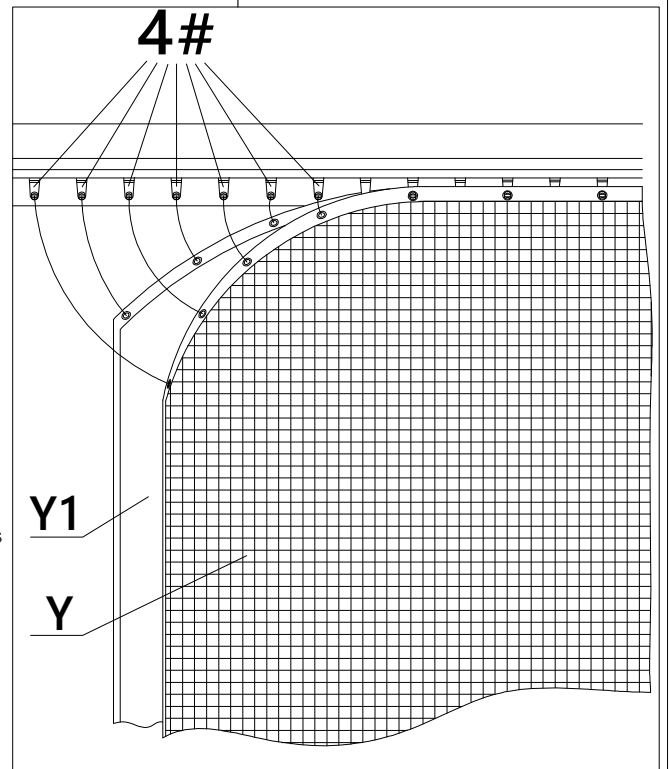
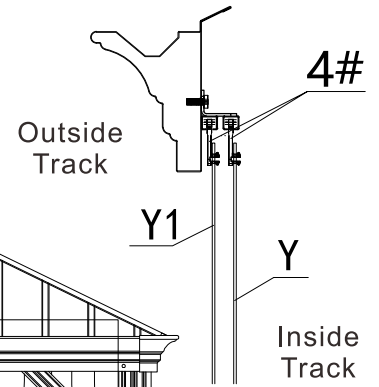
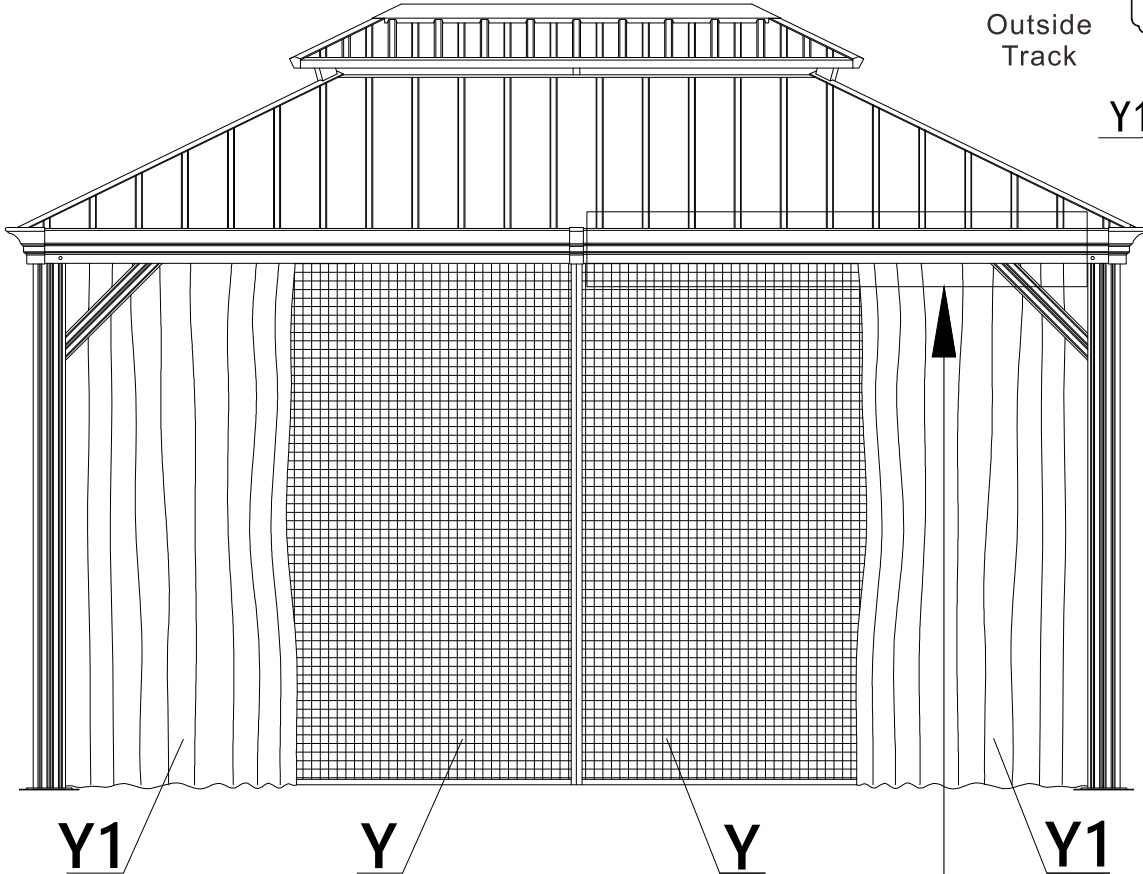


Yb (x4)

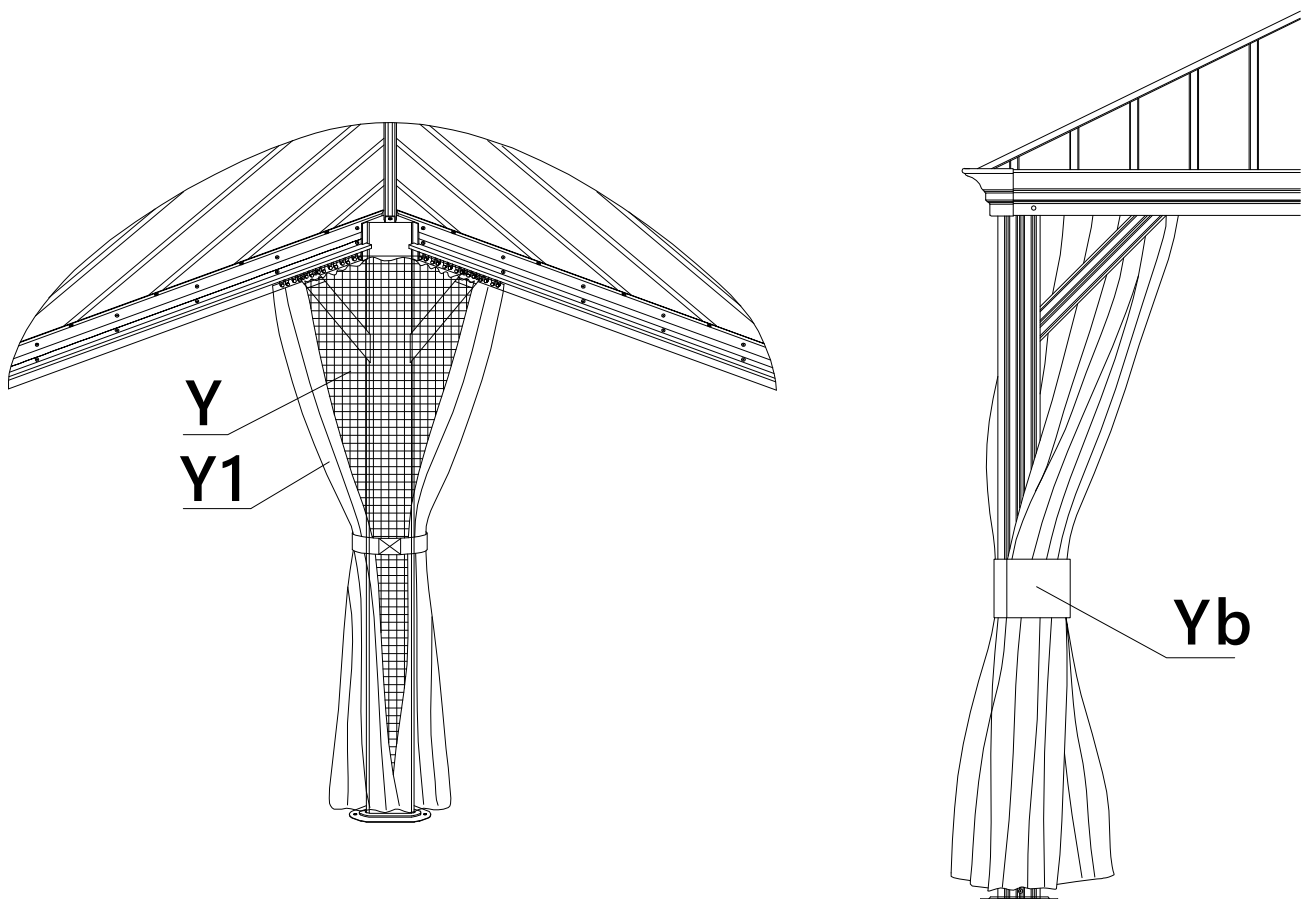
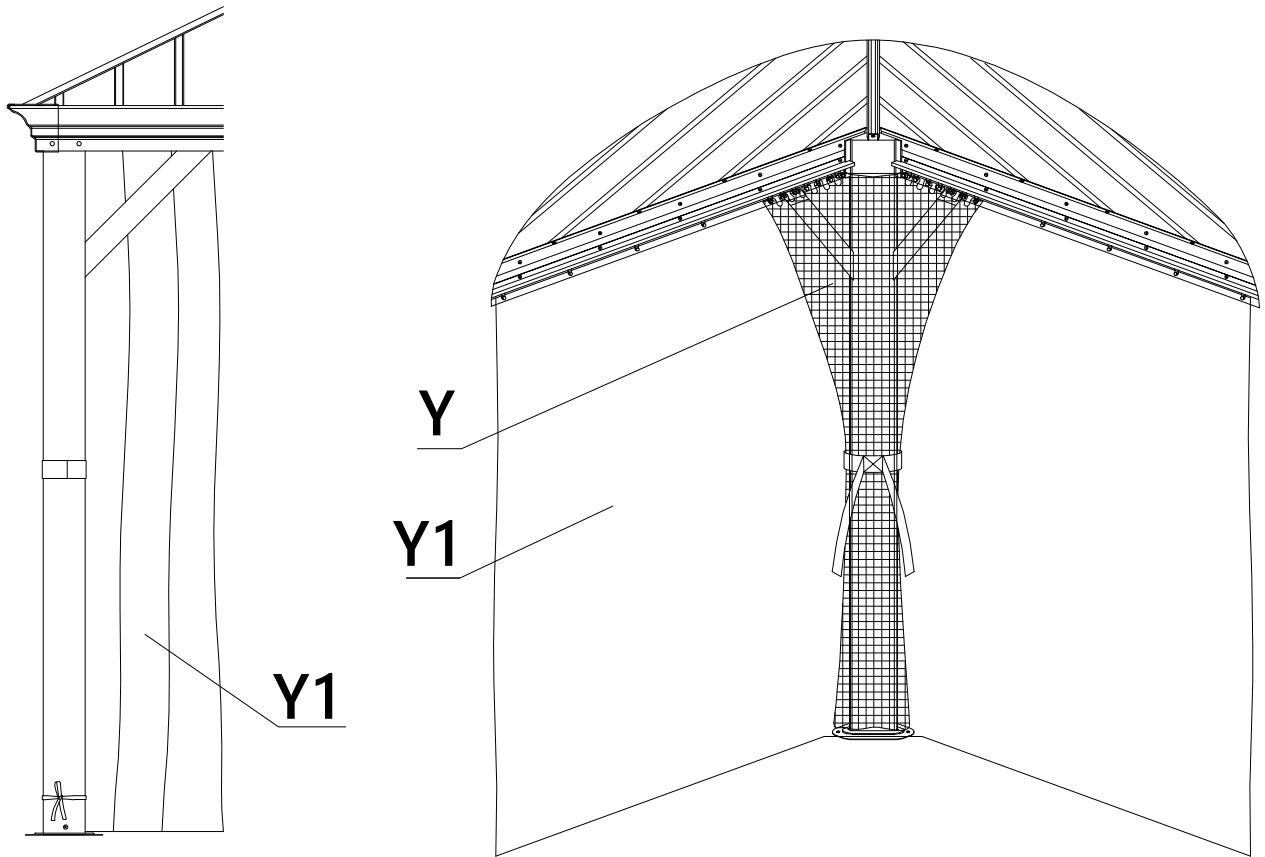


Y1 (x4)

MOSQUITO NETTING AND CURTAINS ASSEMBLY:



Please open your gazebo curtain when it is incoming over 30 mph wind, and tie with Strap #Yb.





Thanks for your purchase.

At domi outdoor living, we believe in our products.

That's why we provide a 12-month warranty and friendly, easy-to-reach after-sales service. So, if you have any questions about our product or assembly, please feel free to contact us. We are here for you.

Support:  

After-sales contact email:

service@domioutdoorliving.com

Business cooperation contact email:

marketing@domioutdoorliving.com

Please have your order ID available if you reach out for support.

If you have damaged parts or product, please send us photos for an immediate response.