



L-shaped sofa bed

ASSEMBLY INSTRUCTIONS

ACCESSORIES



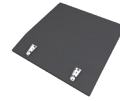
A
1x



B
1x



C
1x



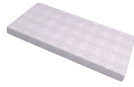
D
3x



D1
1x



E
1x



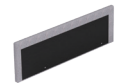
F
1x



G
1x



H
1x



H1
2x



Z3
12x



I
2x



J
3x



K
2x



K2
32x



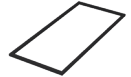
K3
8x



K4
8x



L
2x



M
1x



Z4
1x



Z5
2x



P
1x



Q
1x



R
1x
(power tool bit)



S
1x



H-R
1x



H-L
1x



U
4x



V
1x



W
4x



X
8x



Y
26x



Z
8x



Z1
6x



M6*16
44x



M6*30
10x



M8*50
2x



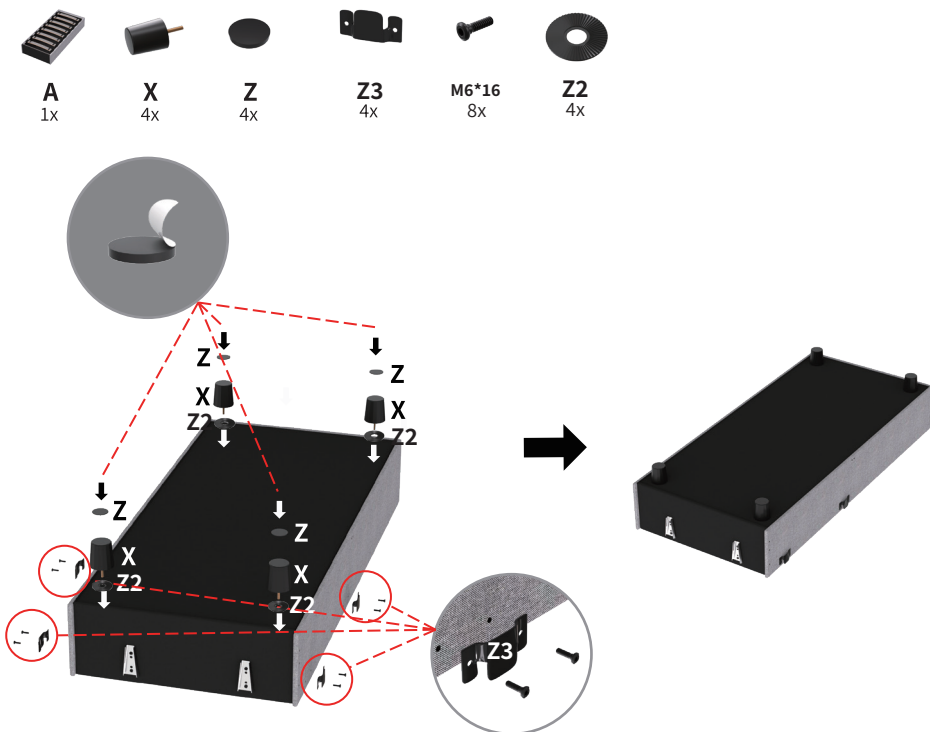
M8*35
4x



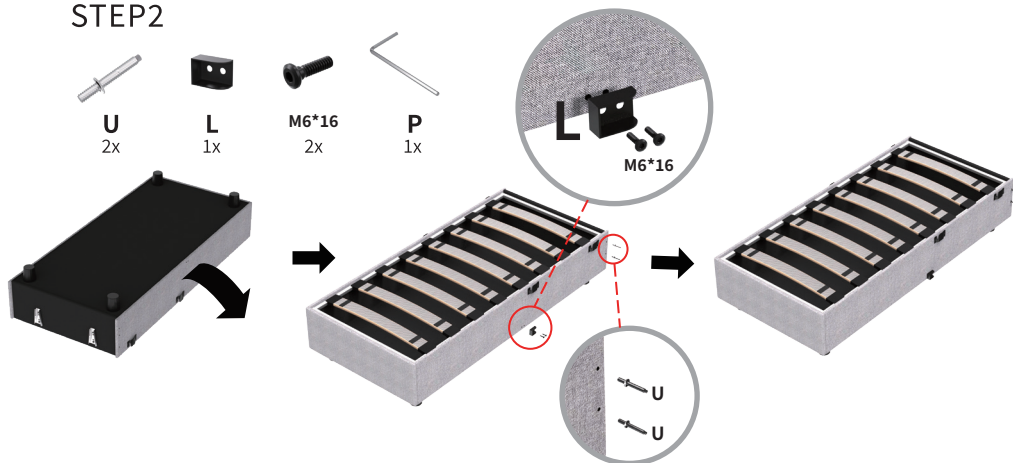
Z2
8x

INSTALLATION STEPS

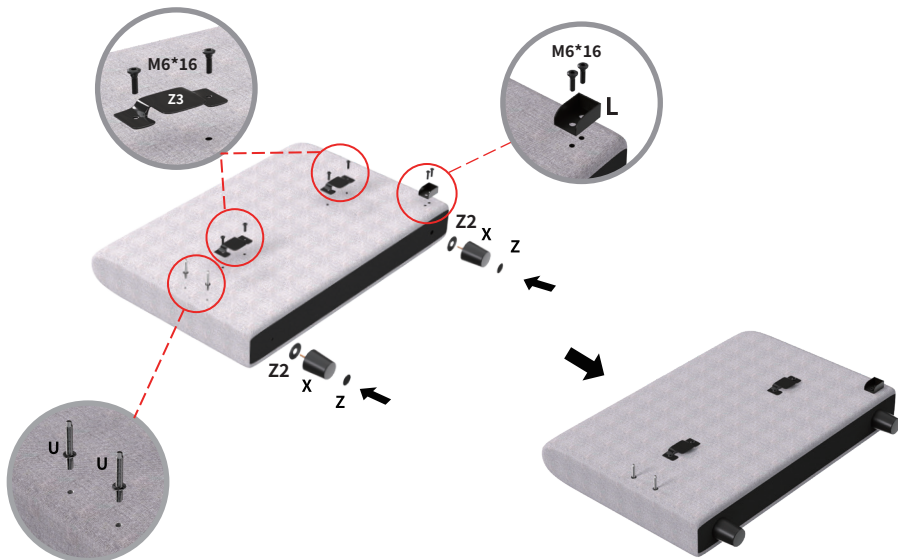
STEP1



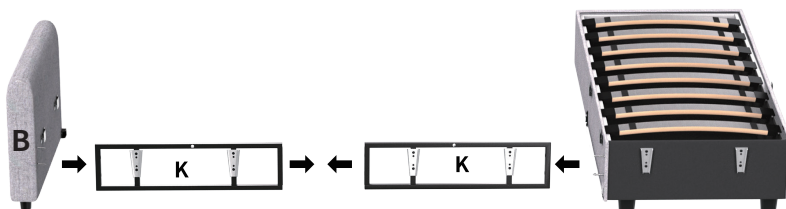
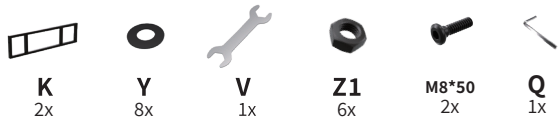
STEP2

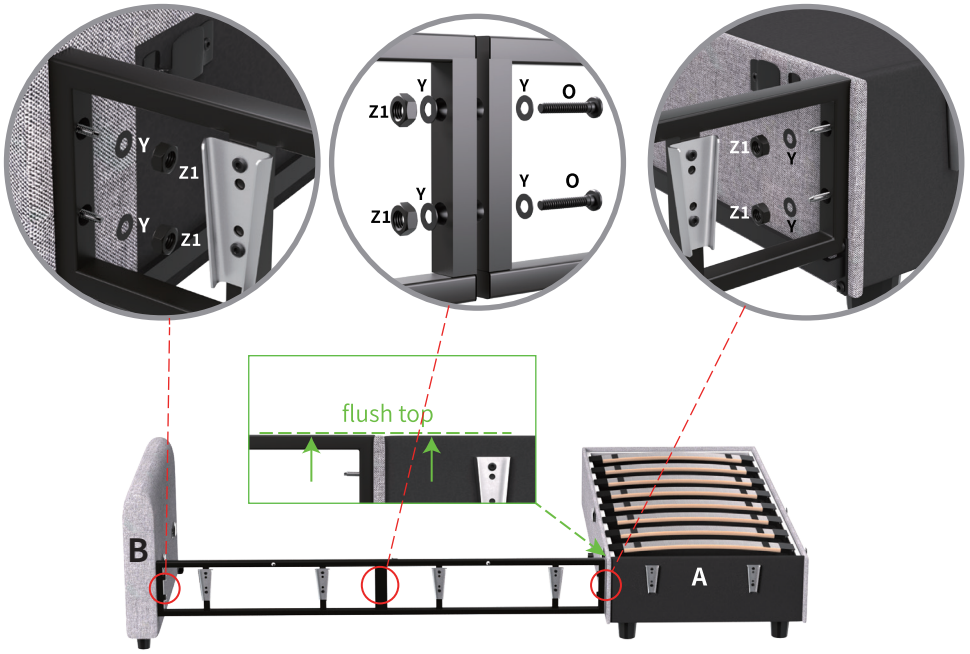


STEP3

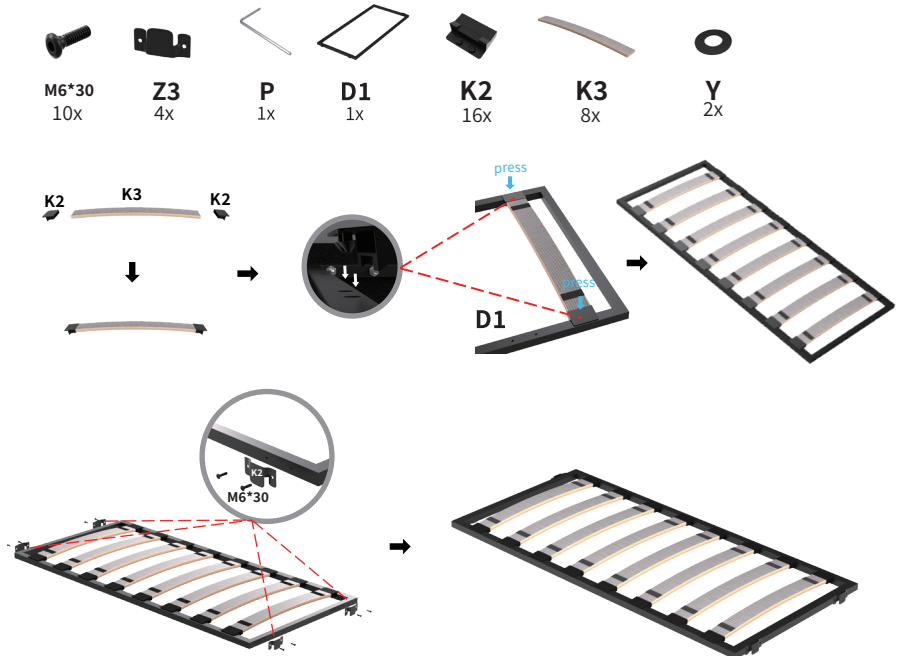


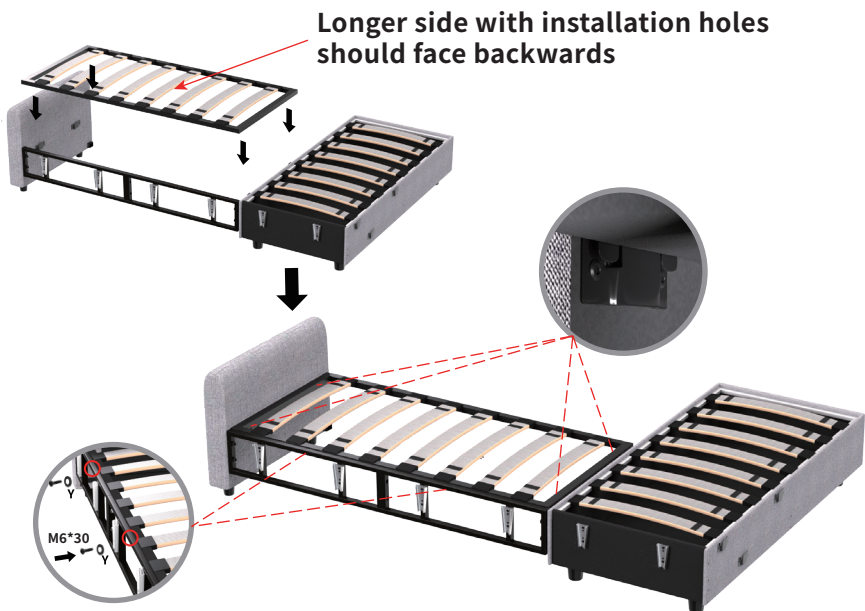
STEP4



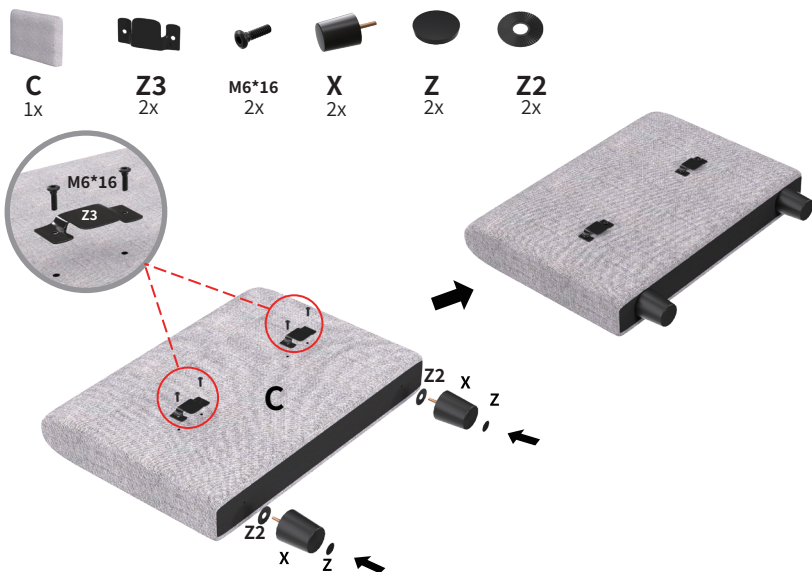


STEP5

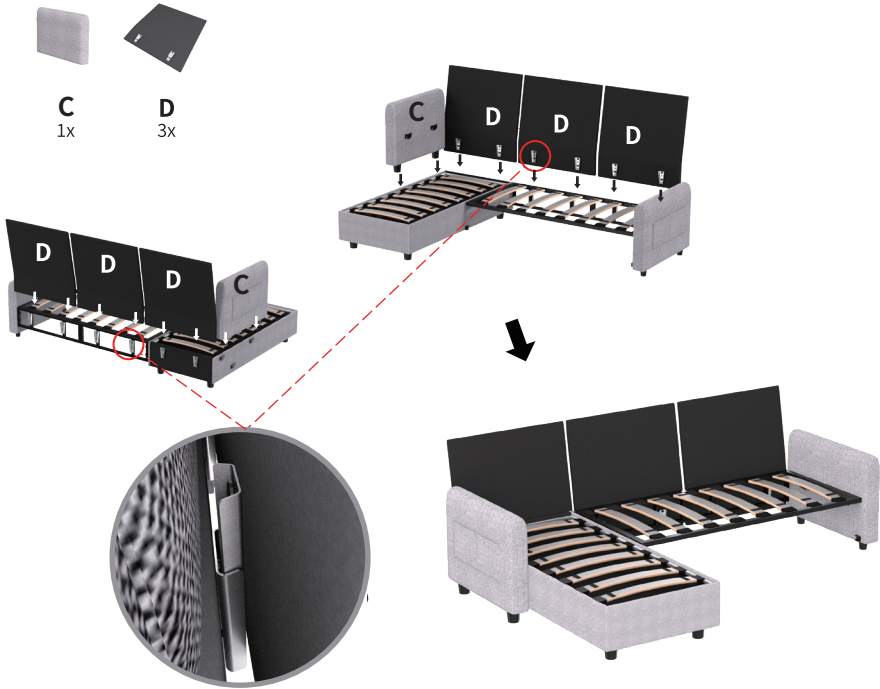




STEP 6



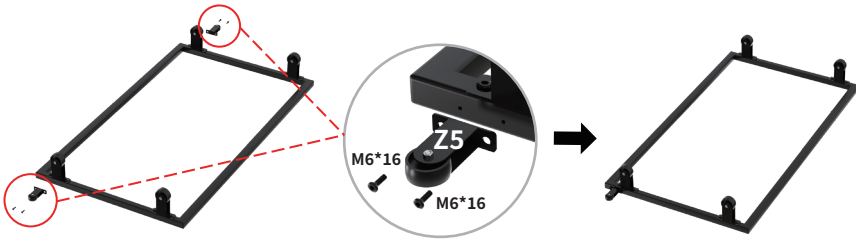
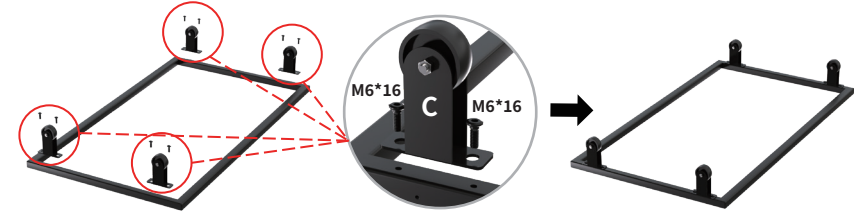
STEP7



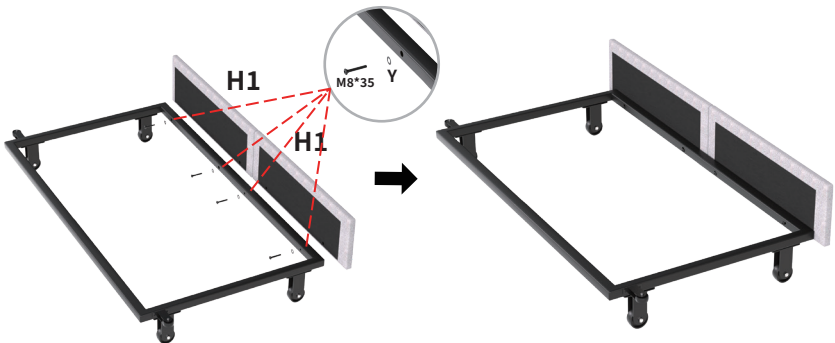
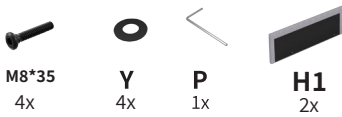
STEP8



STEP9



STEP10



STEP11



M6*16
6x



Y
6x



P
1x



K2
16x



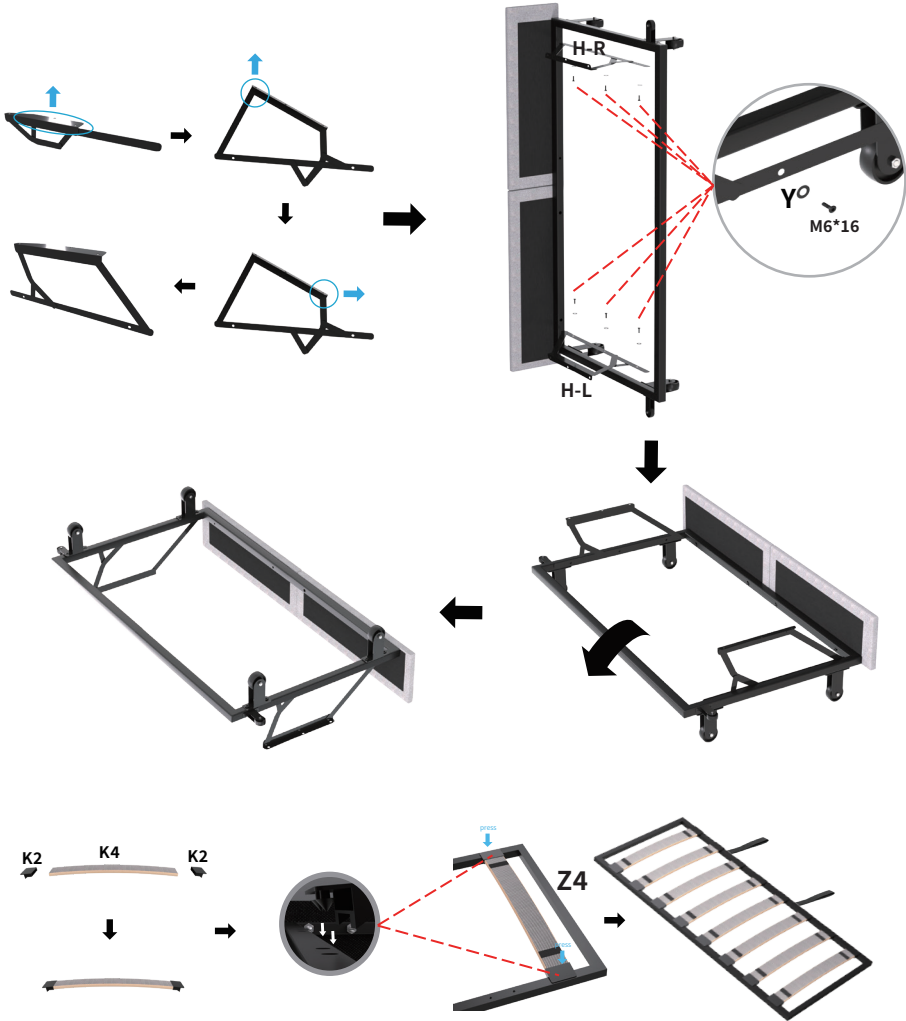
K4
8x



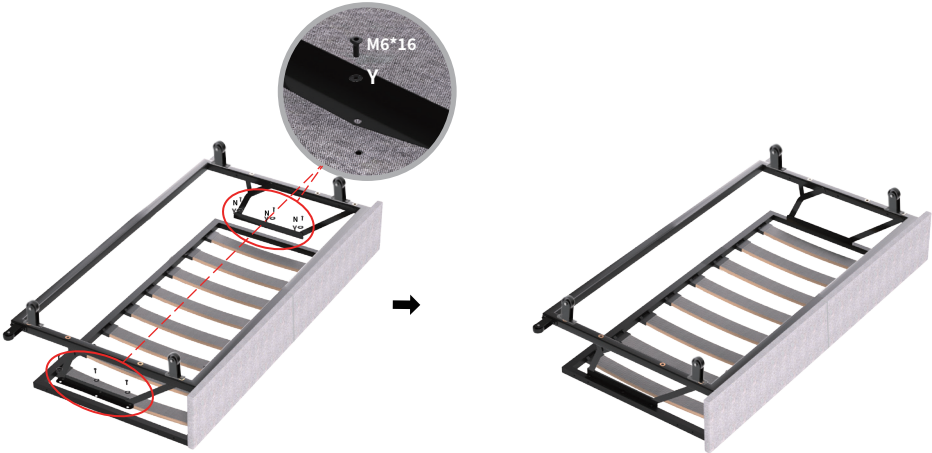
H-R
1x



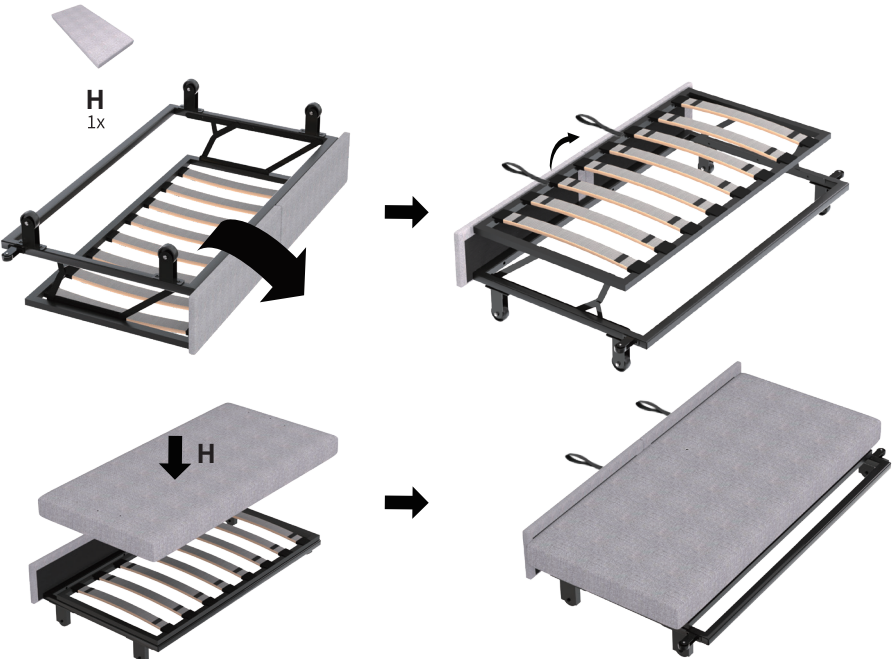
H-L
1x

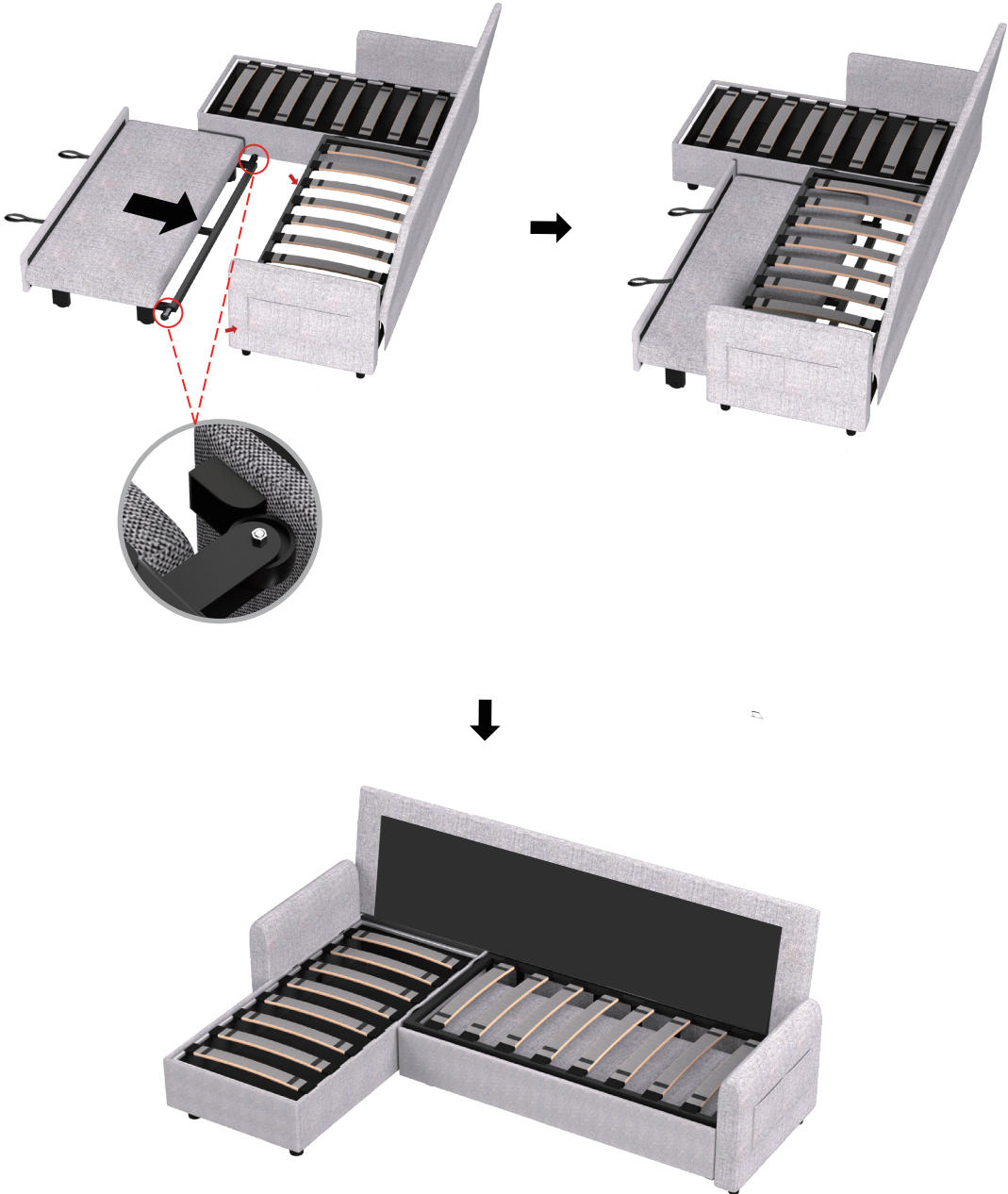


STEP12

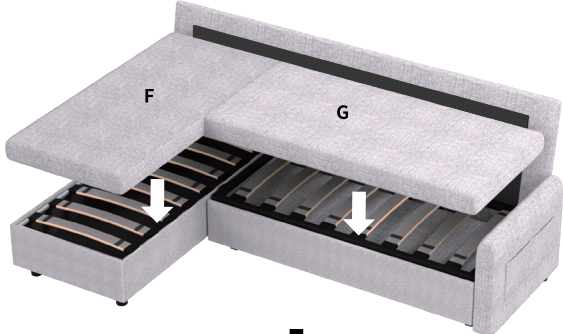
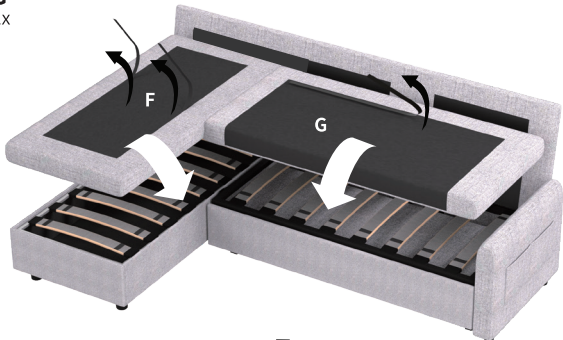
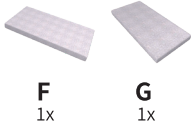


STEP13





STEP14



STEP15

I
2x

J
3x



VARIOUS FORMS

FORM 1

Note: Two ways installations, only mirroring the assembly instruction from LH to RH



LH



RH

FORM 2

