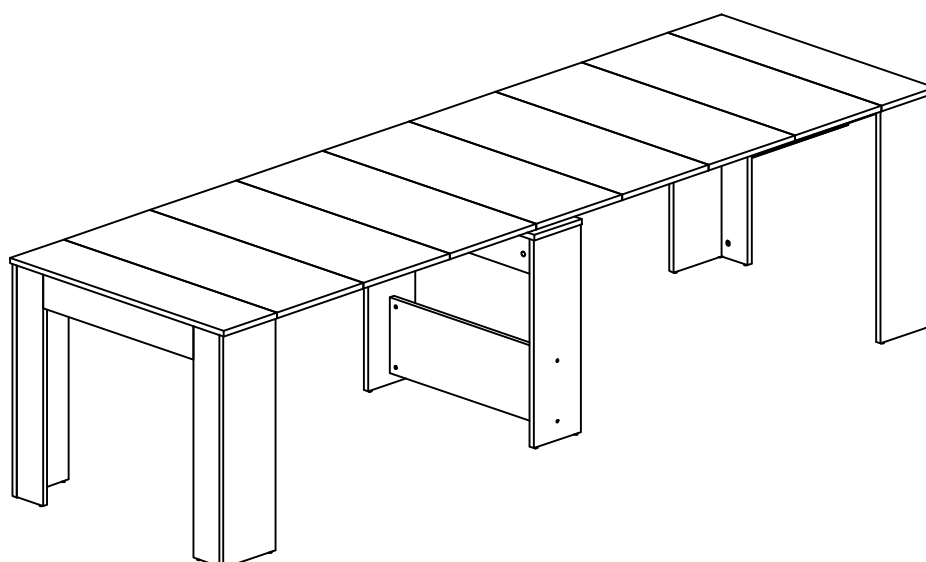
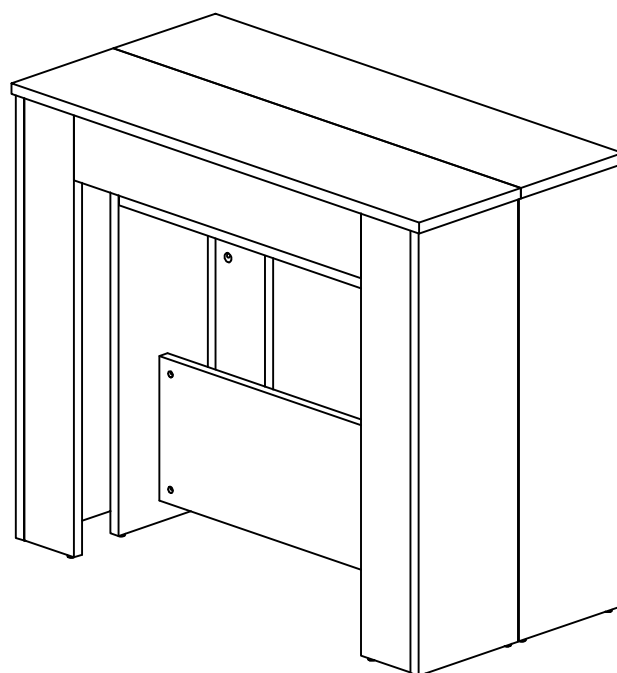
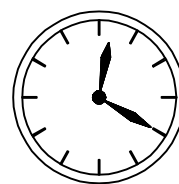
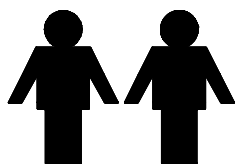
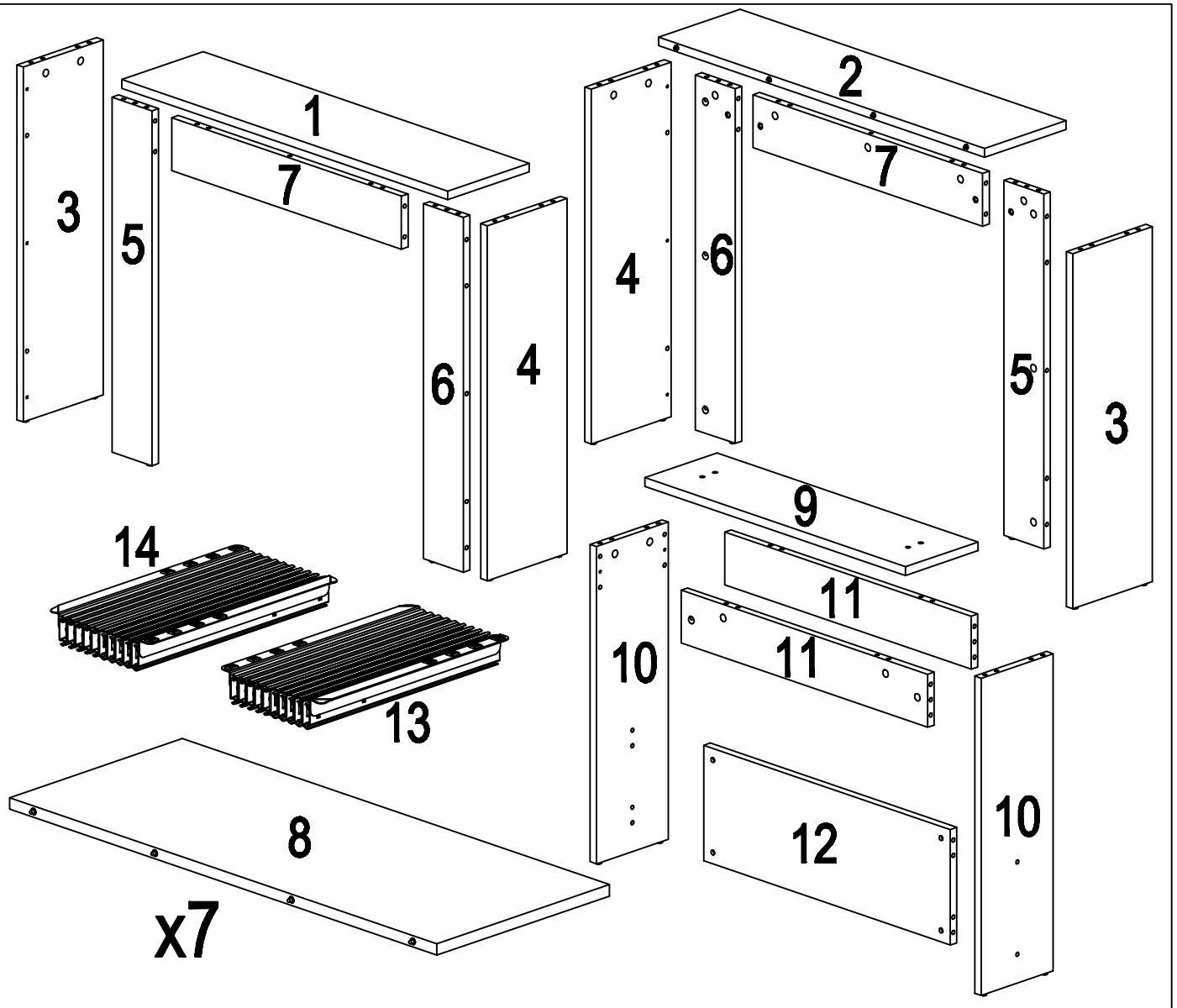



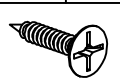
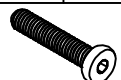
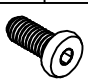

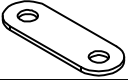
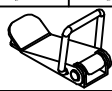



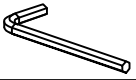
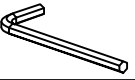

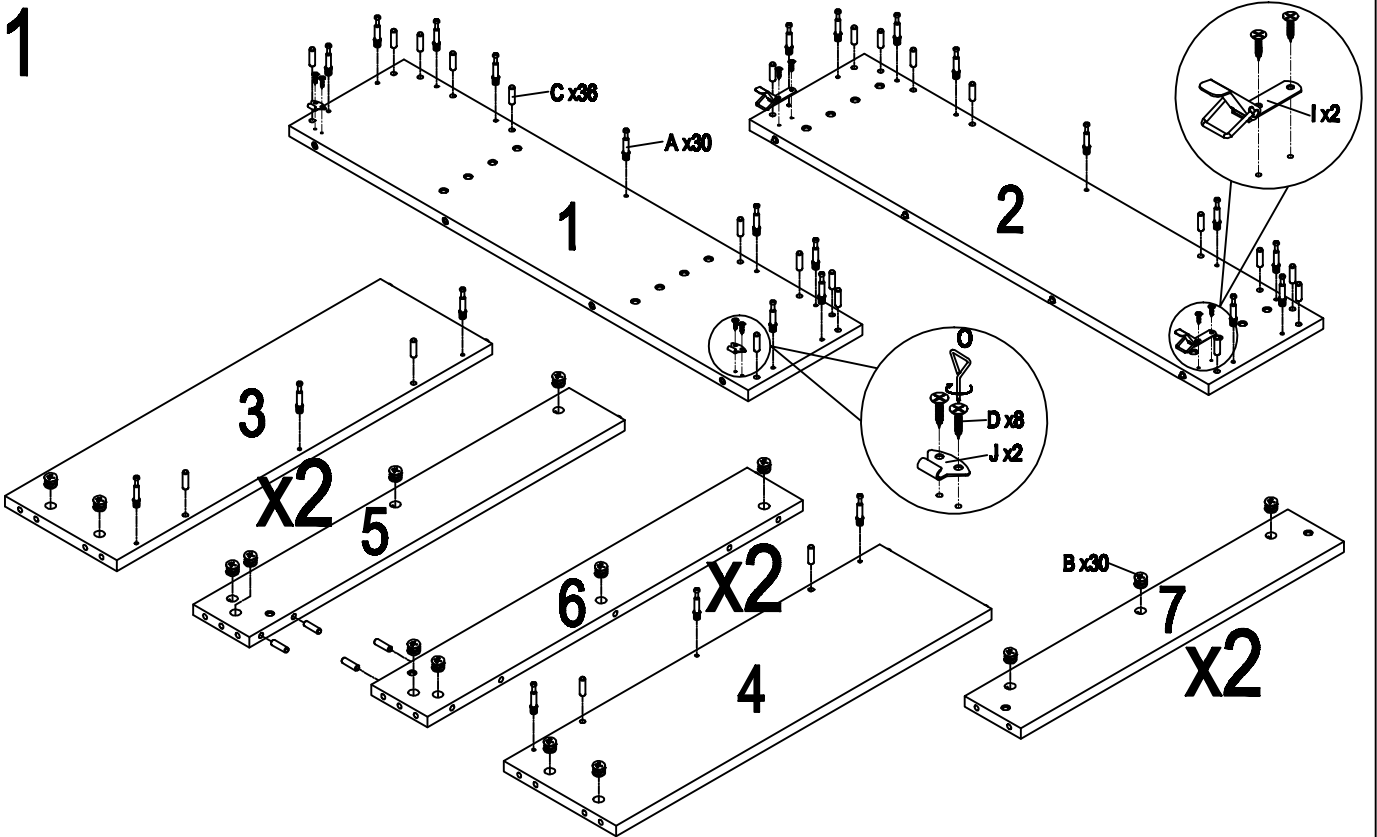


# JA25026-LS ASSEMBLY INSTRUCTIONS

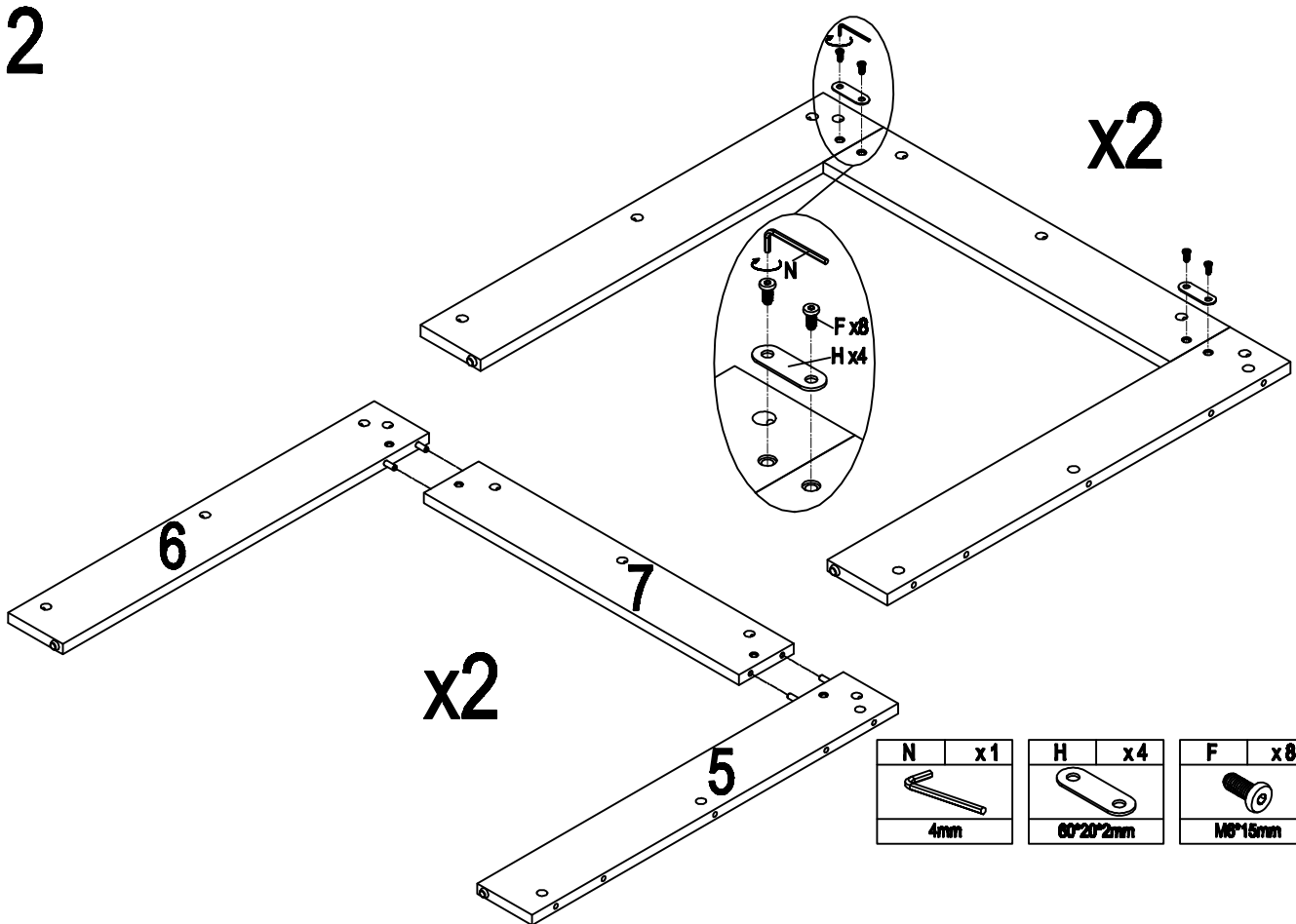




|   |   |   |   |   |   |
|---|---|---|---|---|---|
| <b>+Spare X 2</b>   | <b>+Spare X 2</b>   | <b>+Spare X 2</b>   | <b>+Spare X 2</b>   | <b>+Spare X 1</b>   | <b>+Spare X 2</b>   |
| <b>A</b> x 44   | <b>B</b> x 44   | <b>C</b> x 60   | <b>D</b> x 66   | <b>E</b> x 5  | <b>F</b> x 26   |
|  |  |  |  |  |  |
| Ø7*35mm   | Ø15*12mm  | Ø7.8*30mm   | 4*14mm  | M6*45mm   | M6*15mm   |
| <b>+Spare X 2</b>   |   | <b>+Spare X 1</b>   | <b>+Spare X 1</b>   | <b>+Spare X 1</b>   | <b>+Spare X 1</b>   |
| <b>G</b> x 18   | <b>H</b> x 4  | <b>I</b> x 17   | <b>J</b> x 17   | <b>K</b> x 5  | <b>L</b> x 5  |
|  |  |  |  |  |  |
| Ø16*1.5mm   | 60*20*2mm   |   |   | M6*9.5*10.5mm   | M8*25mm   |
| <b>M</b> x 1  | <b>N</b> x 1  | <b>O</b> x 1  |   |   |   |
|  |  |  |   |   |   |
| 5mm   | 4mm   |   |   |   |   |

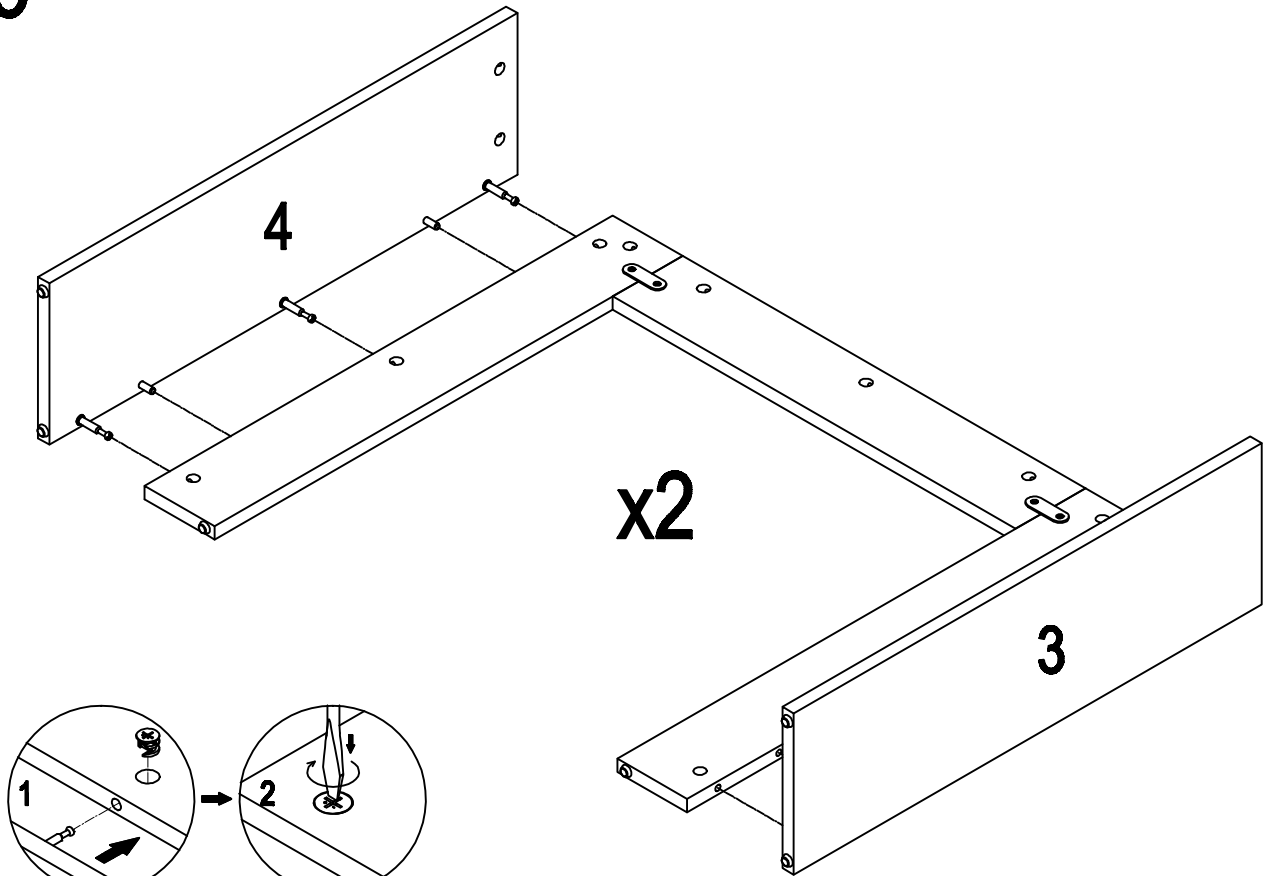


|         |     |          |     |           |     |        |    |   |    |   |    |   |    |
|---------|-----|----------|-----|-----------|-----|--------|----|---|----|---|----|---|----|
| A       | x30 | B        | x30 | C         | x36 | D      | x8 | I | x2 | J | x2 | O | x1 |
|         |     |          |     |           |     |        |    |   |    |   |    |   |    |
| Ø7*35mm |     | Ø15*12mm |     | Ø7.8*30mm |     | 4*14mm |    |   |    |   |    |   |    |

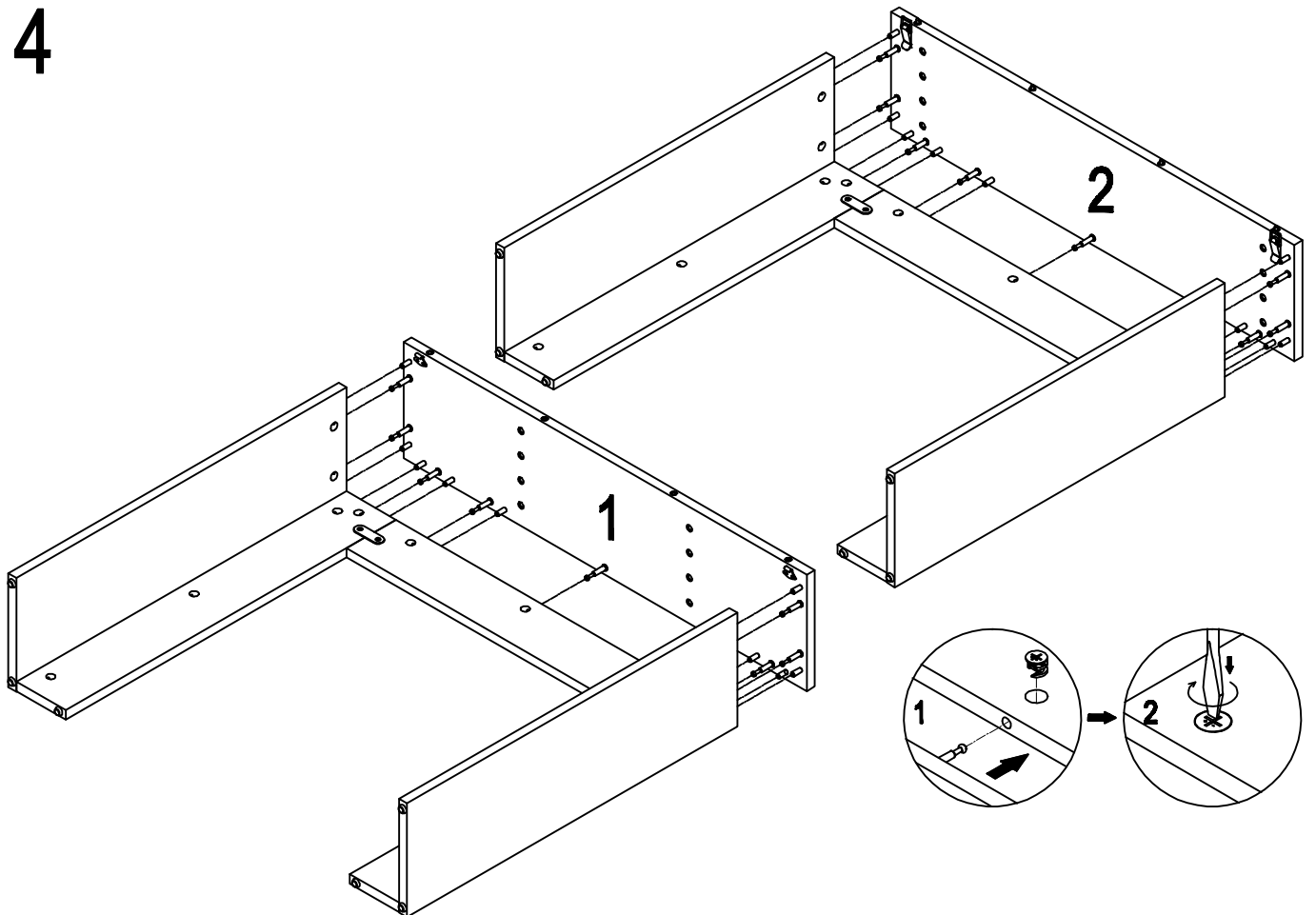


|     |    |           |    |         |    |
|-----|----|-----------|----|---------|----|
| N   | x1 | H         | x4 | F       | x8 |
|     |    |           |    |         |    |
| 4mm |    | 60*20*2mm |    | M3*15mm |    |

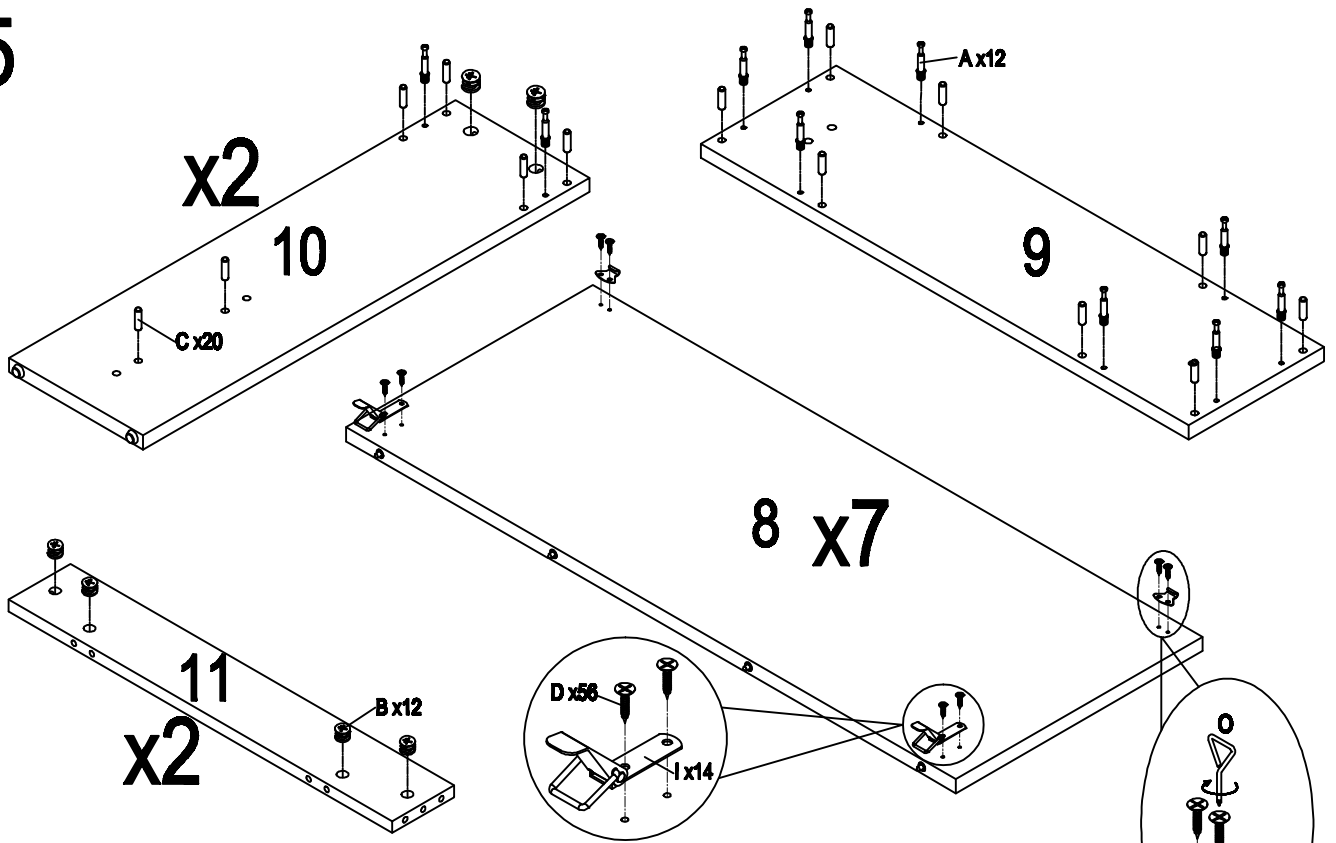
3



4

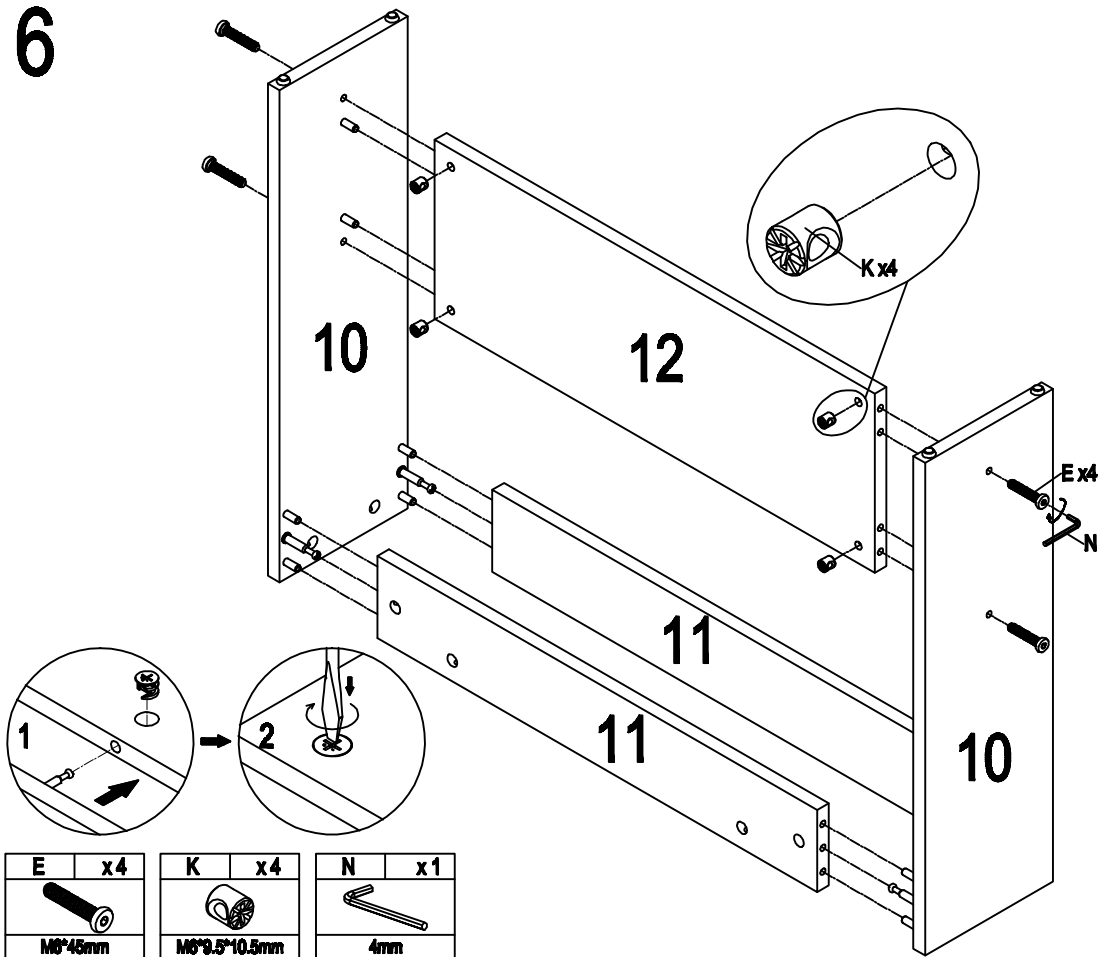


5



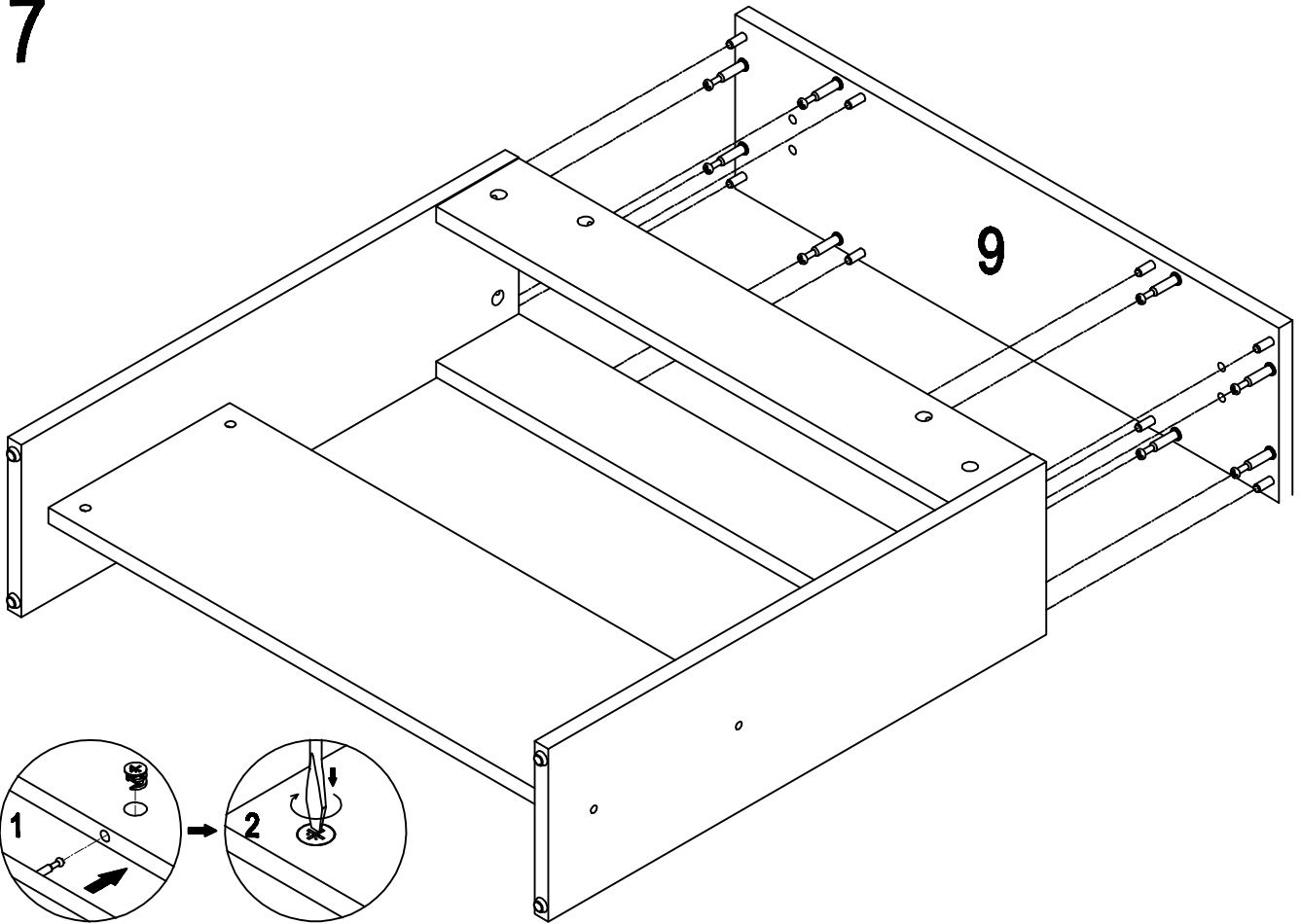
|         |     |          |     |           |     |        |     |   |     |   |     |   |    |
|---------|-----|----------|-----|-----------|-----|--------|-----|---|-----|---|-----|---|----|
| A       | x12 | B        | x12 | C         | x20 | D      | x56 | I | x14 | J | x14 | O | x1 |
|         |     |          |     |           |     |        |     |   |     |   |     |   |    |
| Ø7*35mm |     | Ø15*12mm |     | Ø7.8*30mm |     | 4*14mm |     |   |     |   |     |   |    |

6

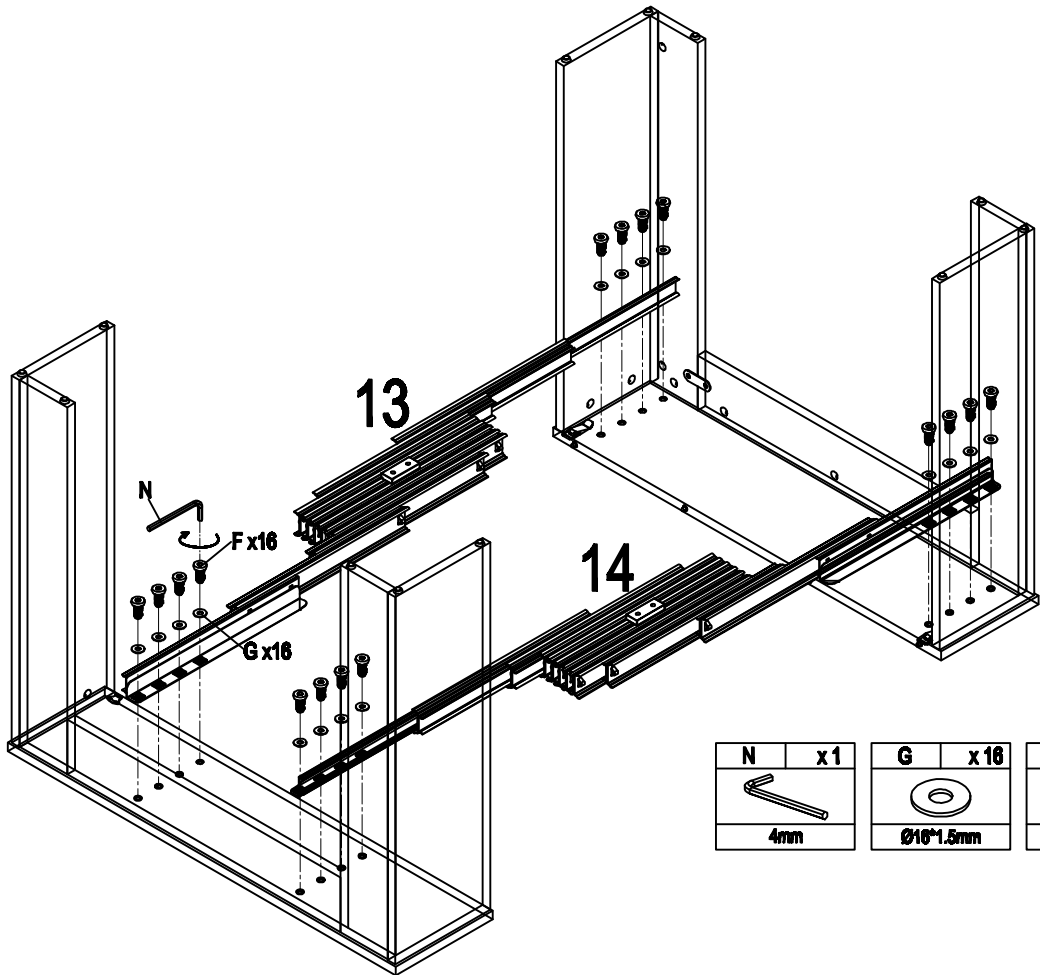


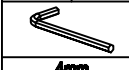


|        |    |              |    |     |    |
|--------|----|--------------|----|-----|----|
| E      | x4 | K            | x4 | N   | x1 |
|        |    |              |    |     |    |
| MØ45mm |    | MØ9.5*10.5mm |    | 4mm |    |

# 7

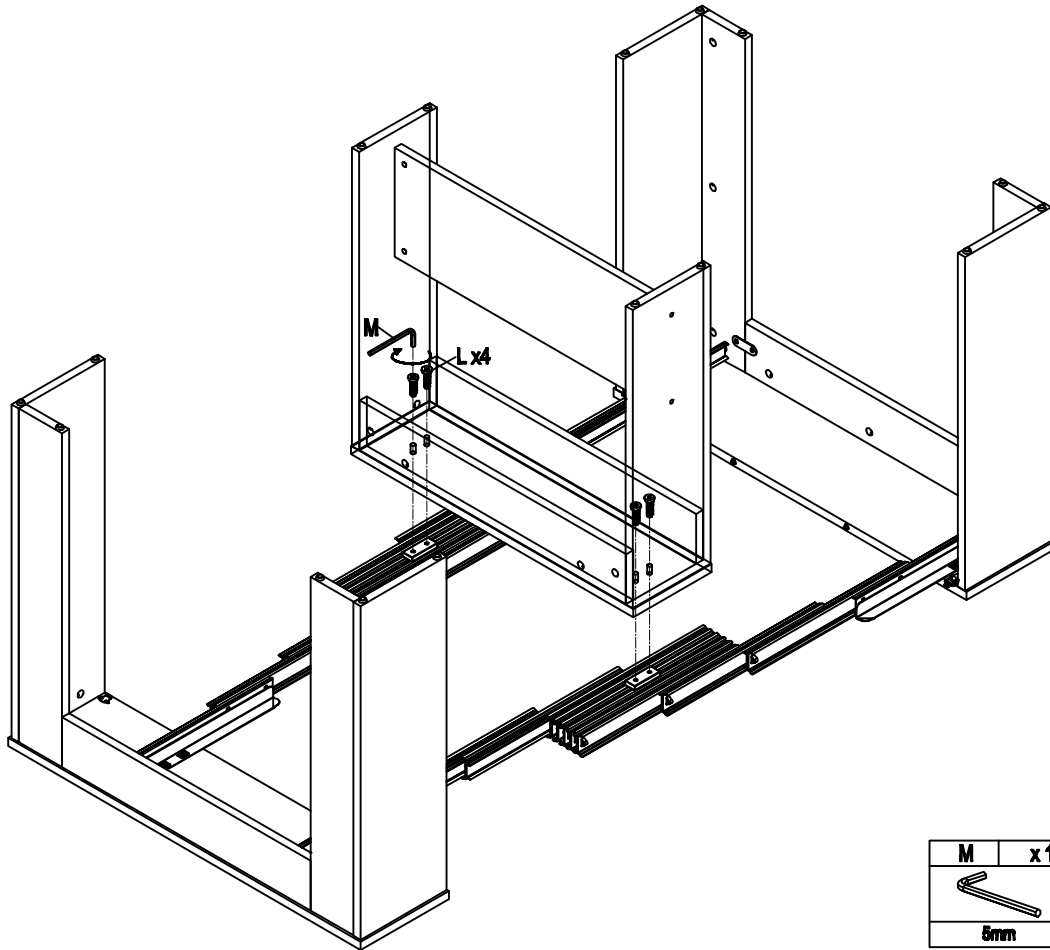




# 8



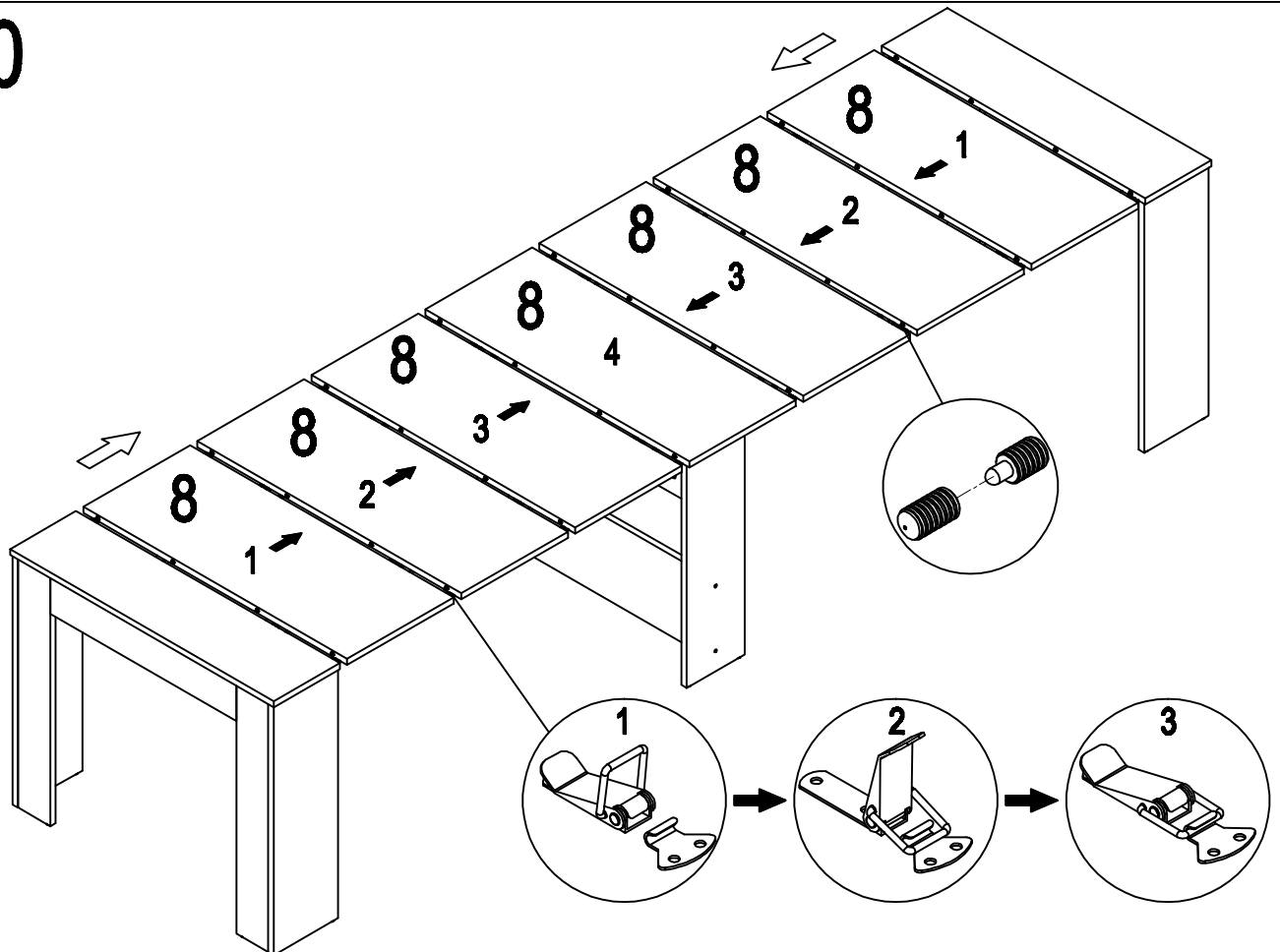
|   |     |   |      |   |      |
|---|-----|---|------|---|------|
| N   | x 1 | G   | x 16 | F   | x 16 |
|  |     |  |      |  |      |
| 4mm   |     | Ø16*1.5mm   |      | M6*15mm   |      |

# 9



|   |    |   |    |
|---|----|---|----|
| M   | x1 | L   | x4 |
|  |    |  |    |
| 5mm   |    | M5x25mm   |    |

# 10



11

